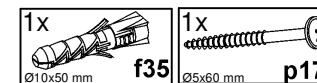
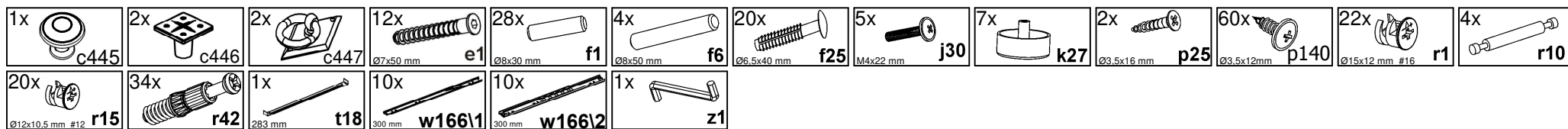
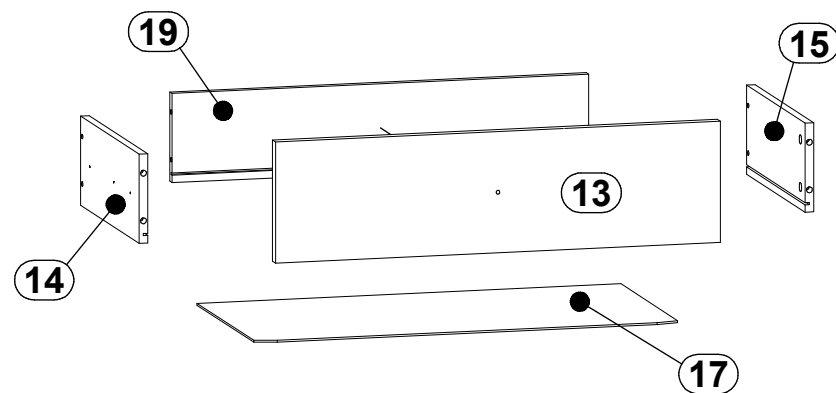
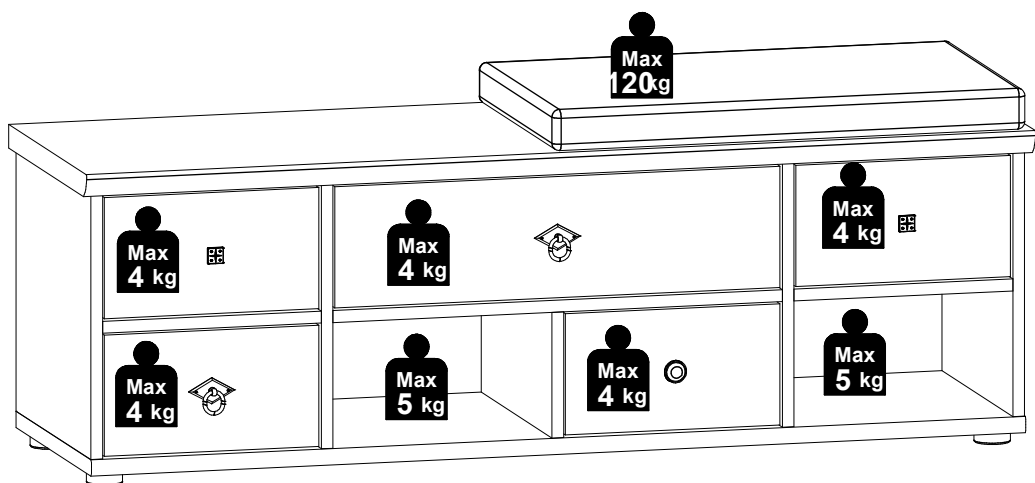
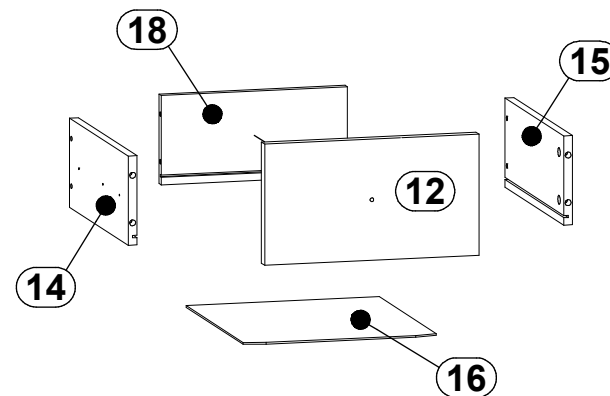
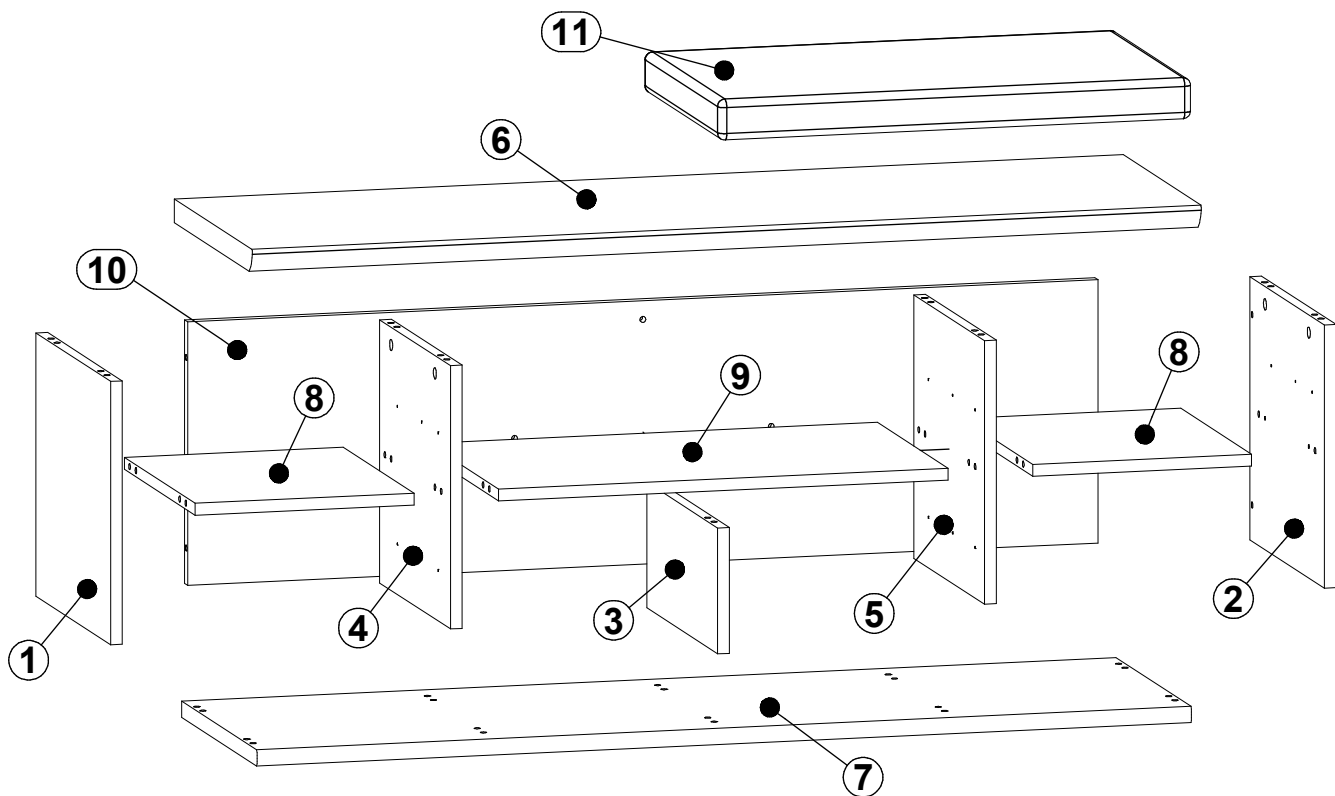
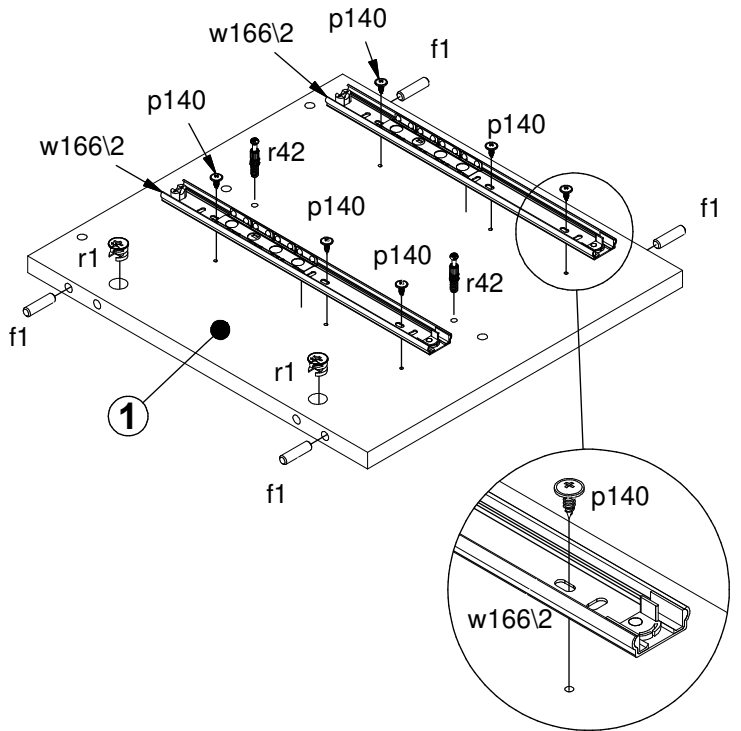
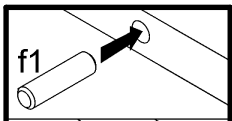
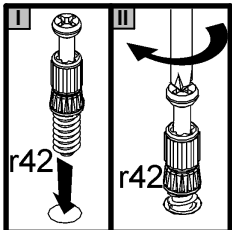
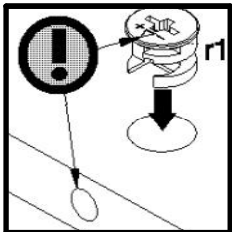
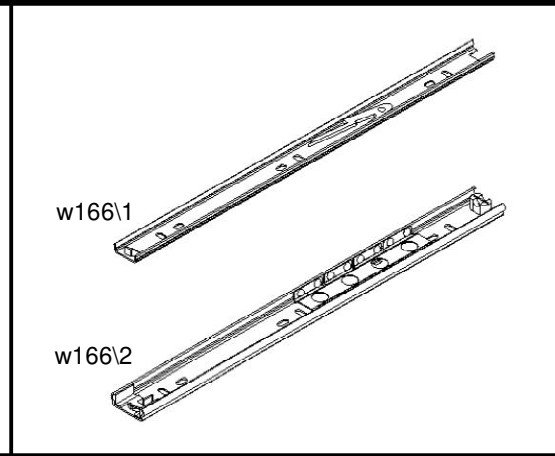
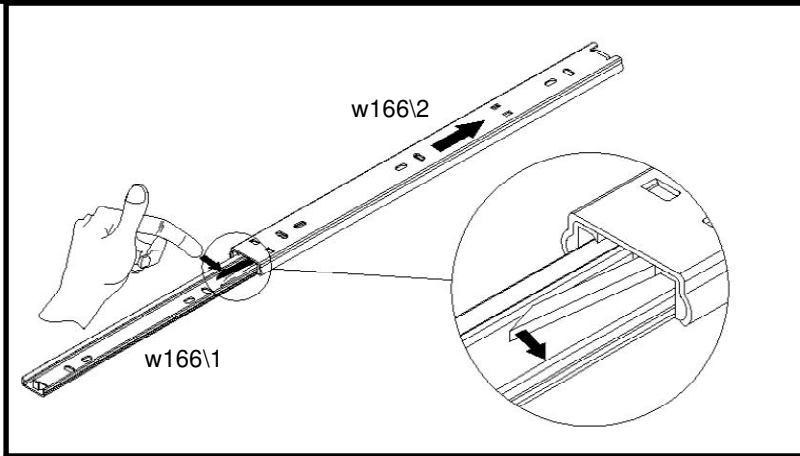


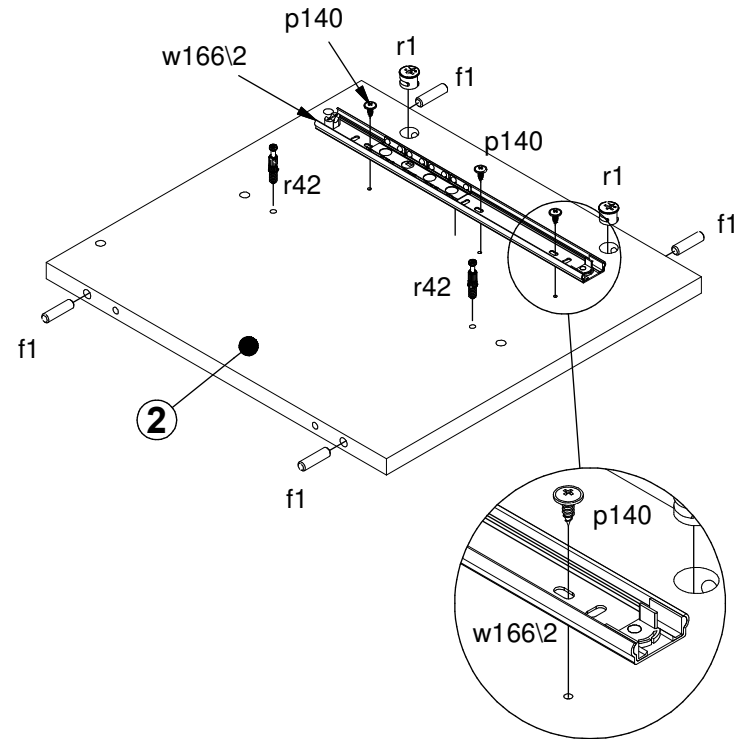
A	B	C (mm)		D
1	M196-1009	354	382	2/2
2	M196-1010	354	382	2/2
3	M196-1011	169	362	1/2
4	M196-1012	354	362	1/2
5	M196-1013	354	362	1/2
6	M196-2007	1301	400	2/2
7	M196-2008	1281	387	1/2
8	M196-3005	300	362	1/2
9	M196-3009	616	362	1/2
10	M196-4303	354	1248	1/2
11	M196-5701	648	390	2/2
12	S248-0009	163	294	2/2
13	S248-0016	163	610	1/2
14	WSK3-503	300	120	2/2
15	WSK3-504	300	120	2/2
16	WSP-9090	265	298	1/2
17	WSP-9091	581	298	1/2
18	WTR-5026	255	120	1/2
19	WTR-5027	571	120	1/2



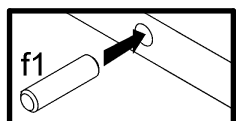
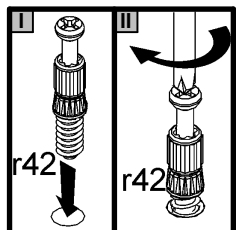
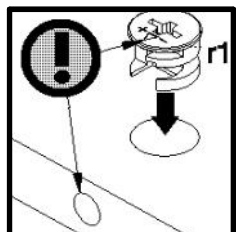




- 2x 300 mm **w166\2**
- 3x Ø3.5x12mm **p140**
- 4x Ø8x30 mm **f1**
- 2x Ø15x12 mm #16 **r42**
- 2x **r1**

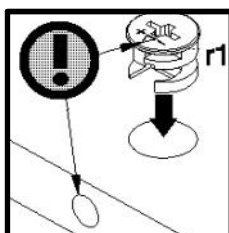
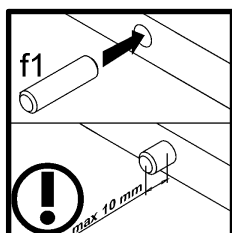
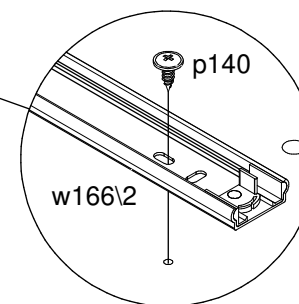
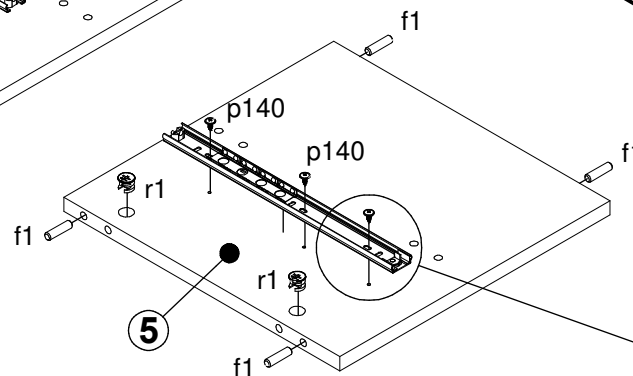
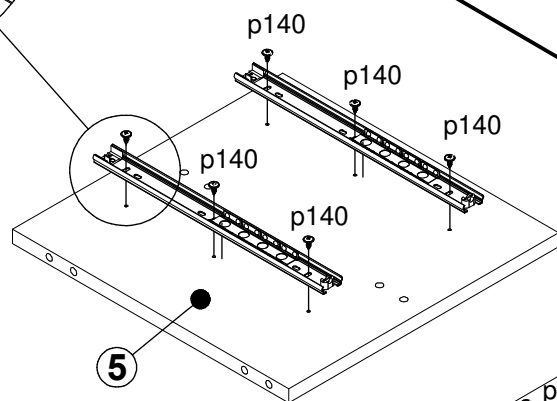
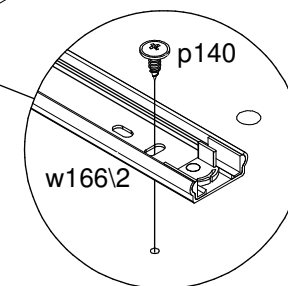
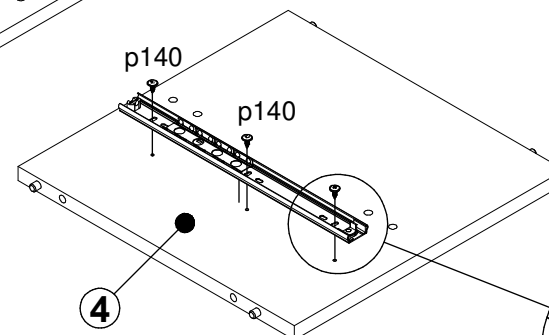
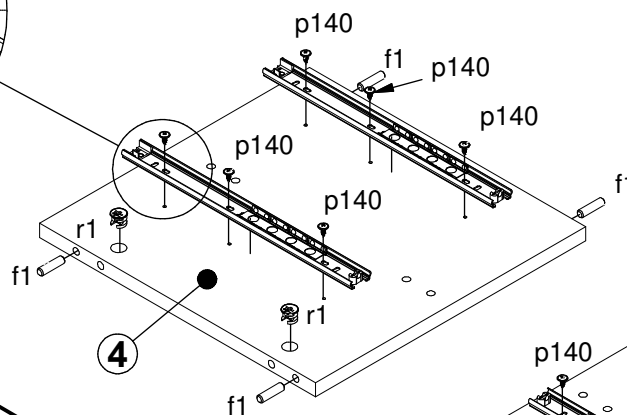
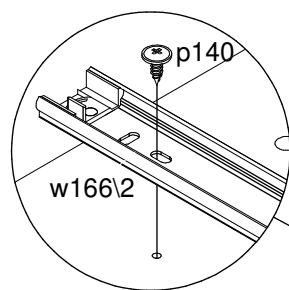
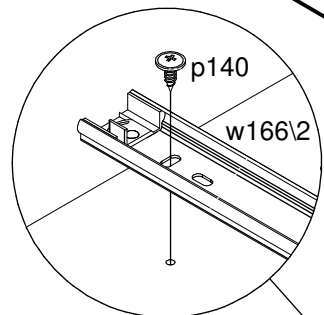
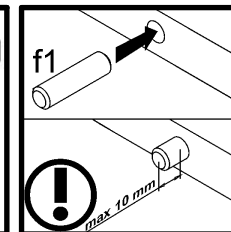
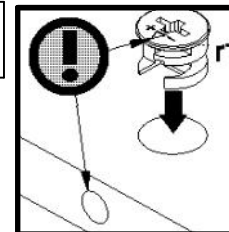


- 1x 300 mm **w166\2**
- 3x Ø3.5x12mm **p140**
- 4x Ø8x30 mm **f1**
- 2x Ø15x12 mm #16 **r42**
- 2x **r1**

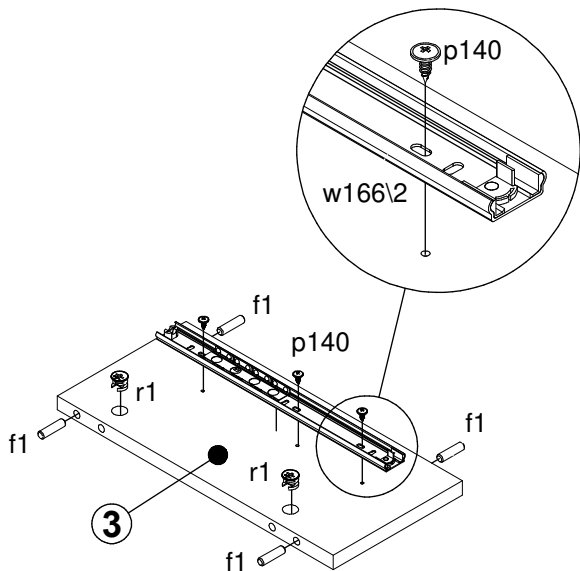
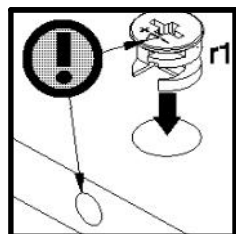
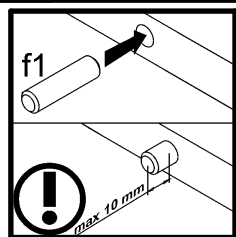


1 §2

3x 300 mm w166\2	9x Ø3,5x12mm p140	4x Ø8x30 mm f1	2x Ø15x12 mm #16 r1
------------------------	-------------------------	----------------------	---------------------------

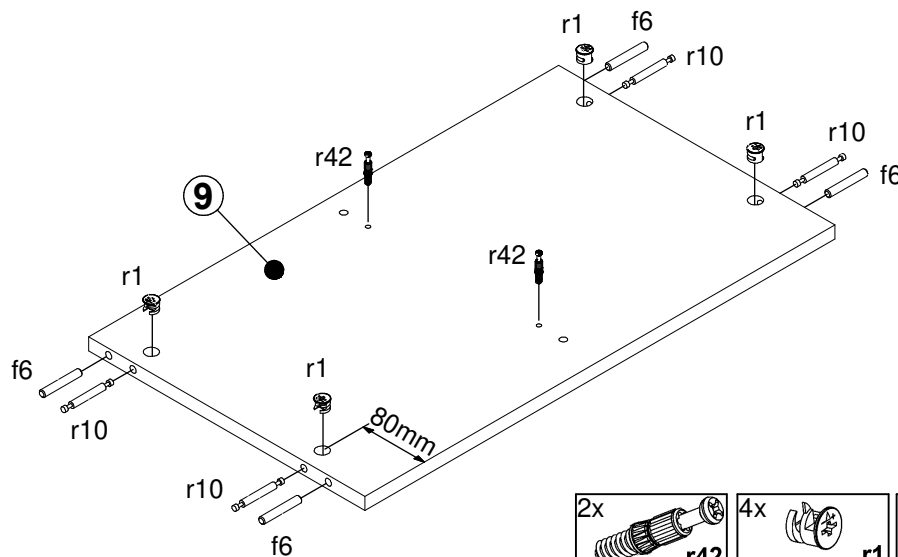
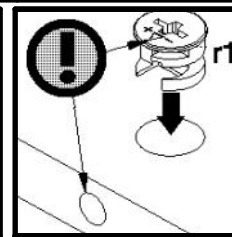
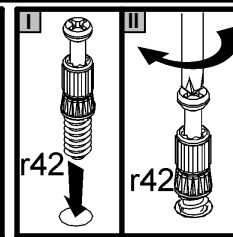
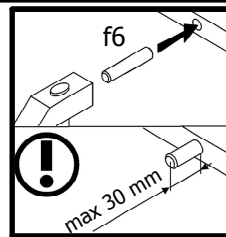


3x 300 mm w166\2	9x Ø3,5x12mm p140	4x Ø8x30 mm f1	2x Ø15x12 mm #16 r1
------------------------	-------------------------	----------------------	---------------------------

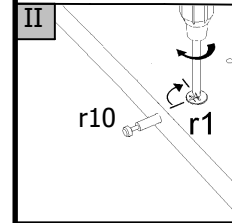
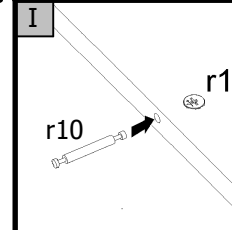


- 4x  $\varnothing 8 \times 30$  mm f1
- 2x  $\varnothing 15 \times 12$  mm #16 r1
- 1x 300 mm w166\2
- 3x  $\varnothing 3,5 \times 12$  mm p140

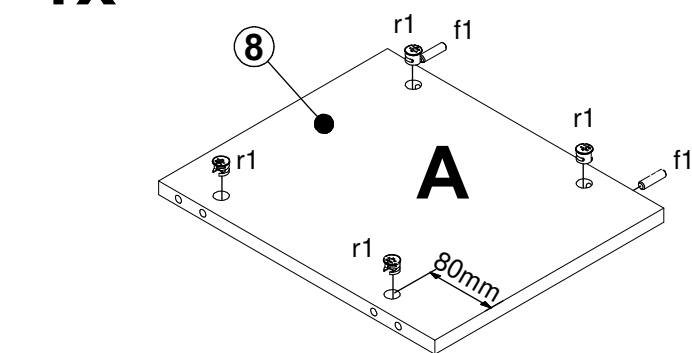
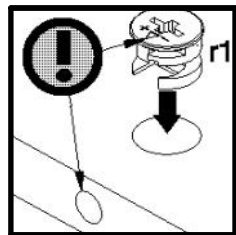
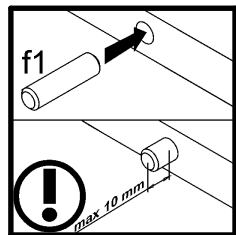
1  $\text{\textcircled{S}2}$



- 2x r42
- 4x  $\varnothing 15 \times 12$  mm #16 r1
- 4x  $\varnothing 8 \times 50$  mm f6
- 4x r10

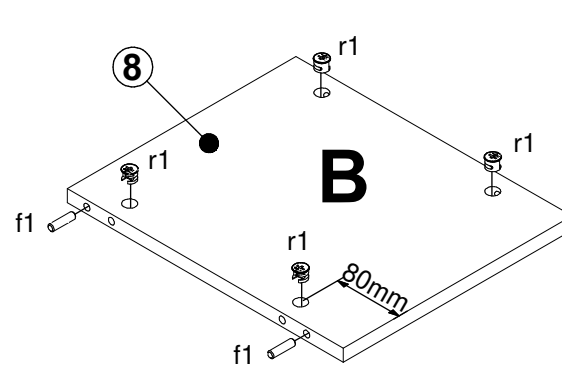


1x

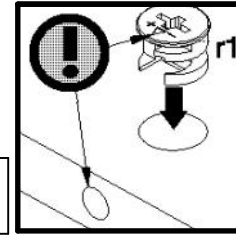
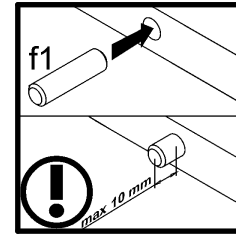


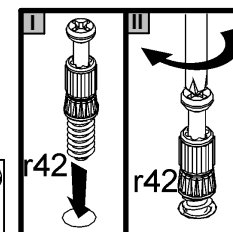
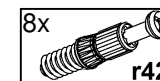
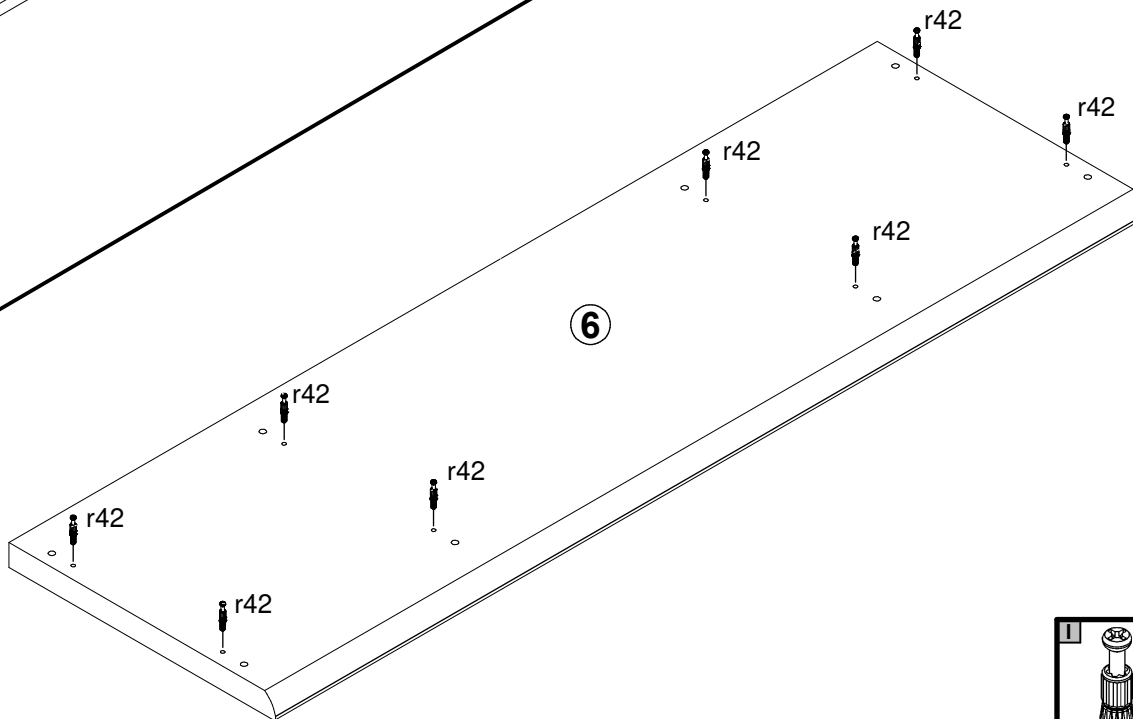
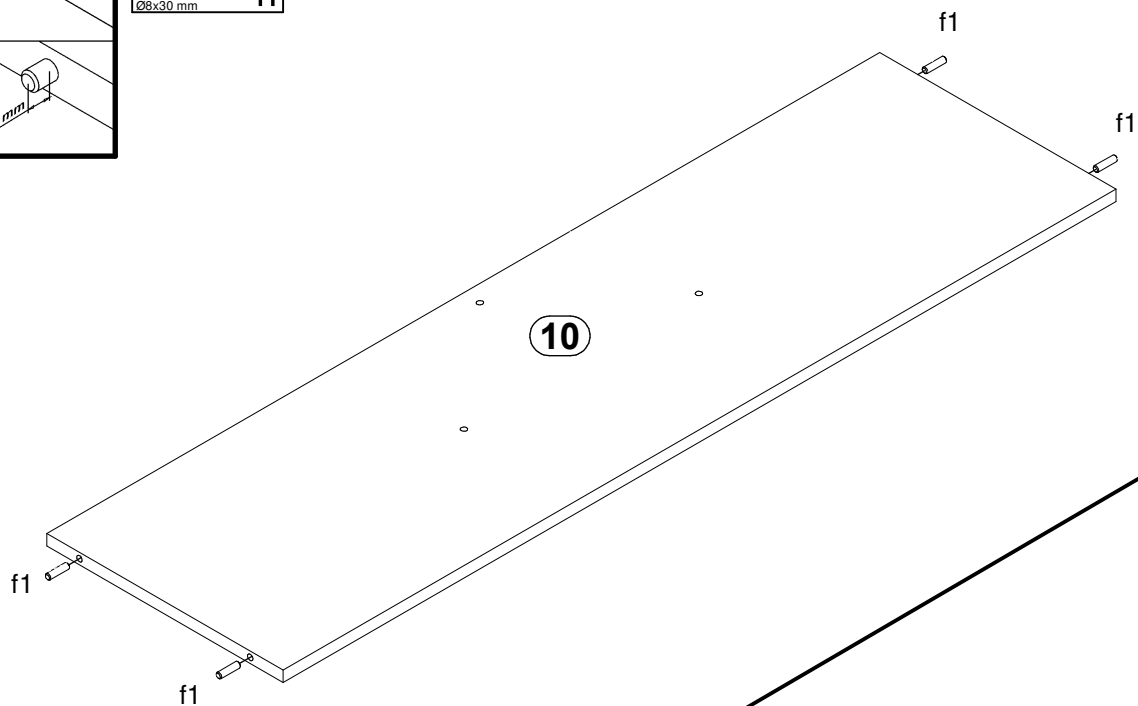
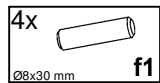
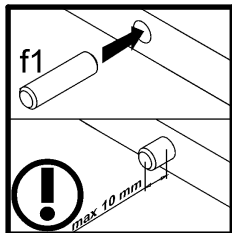
- 2x  $\varnothing 8 \times 30$  mm f1
- 4x  $\varnothing 15 \times 12$  mm #16 r1

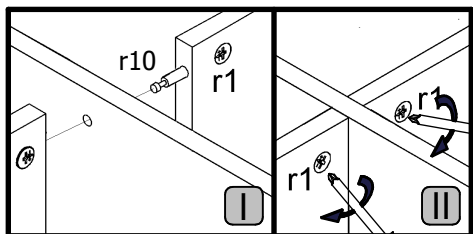
1x



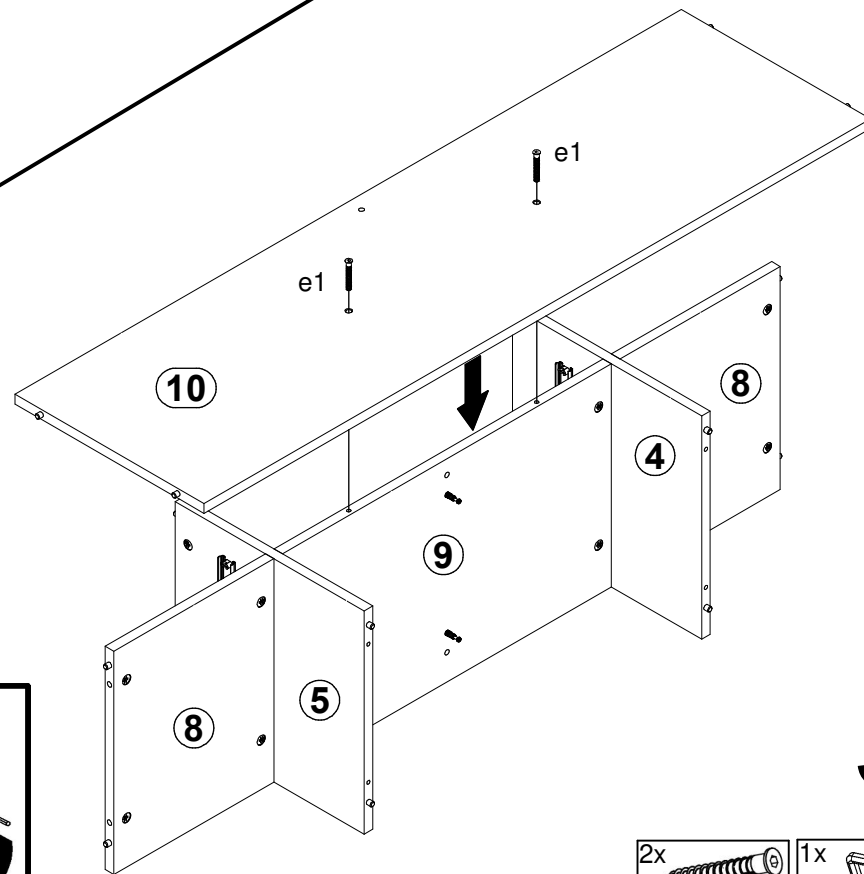
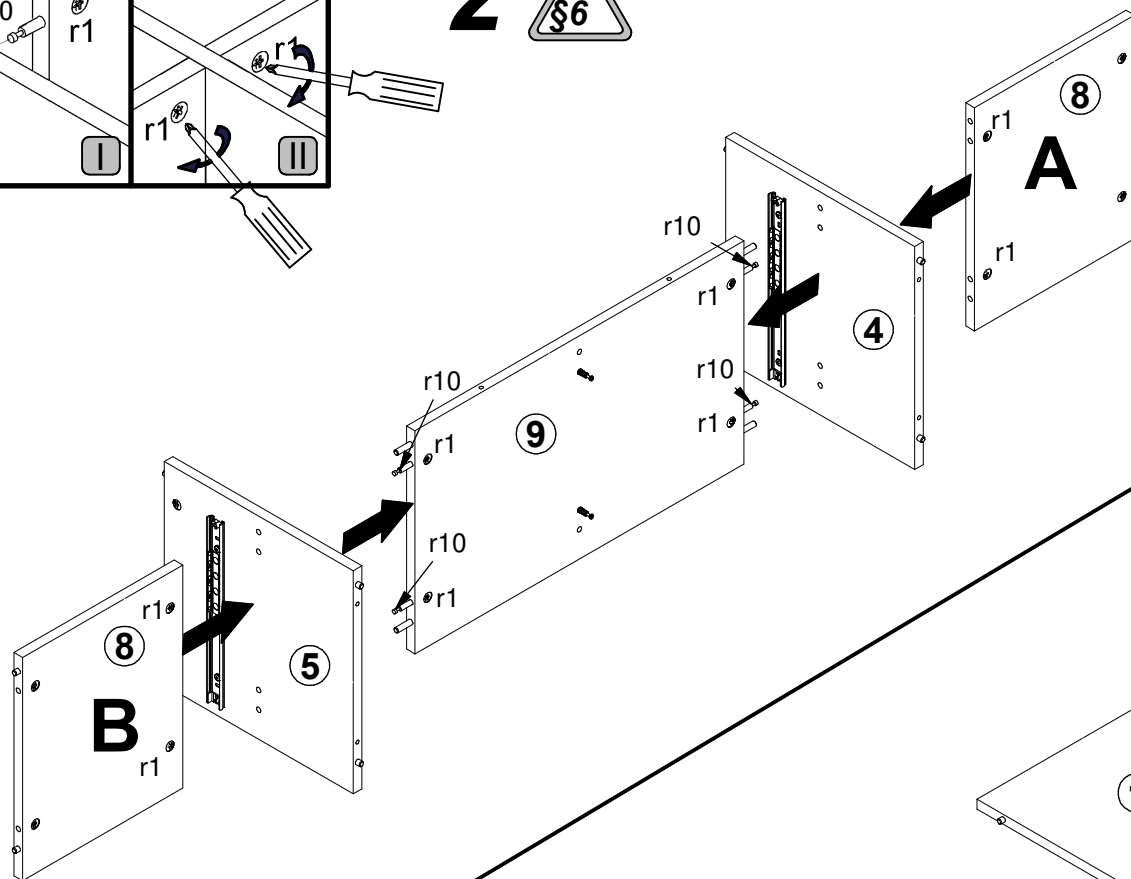
- 2x  $\varnothing 8 \times 30$  mm f1
- 4x  $\varnothing 15 \times 12$  mm #16 r1



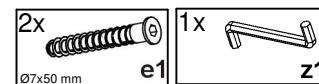
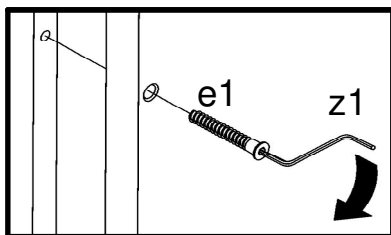




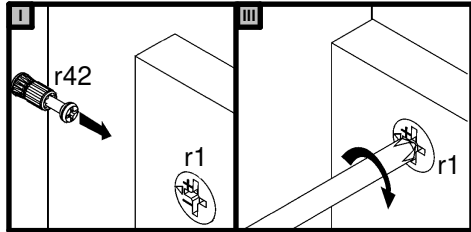
**2**



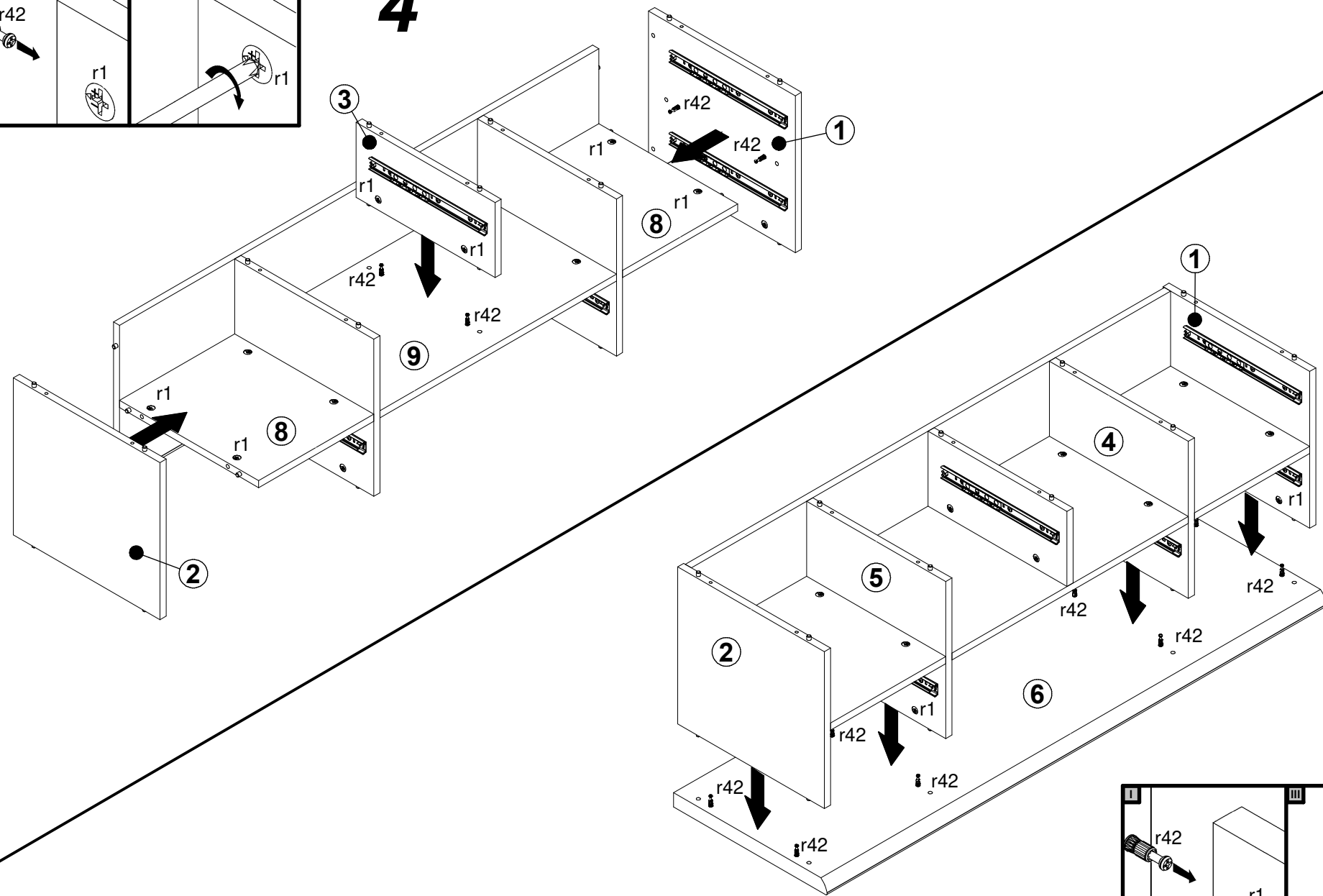
**3**



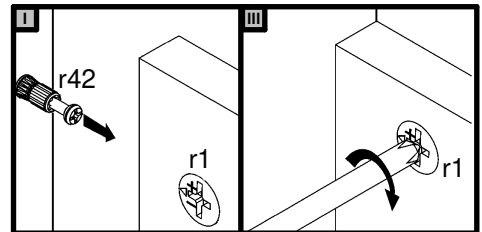


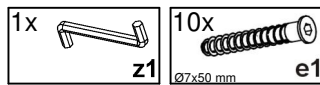
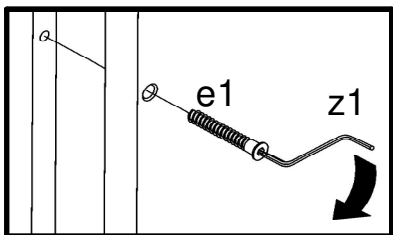


4

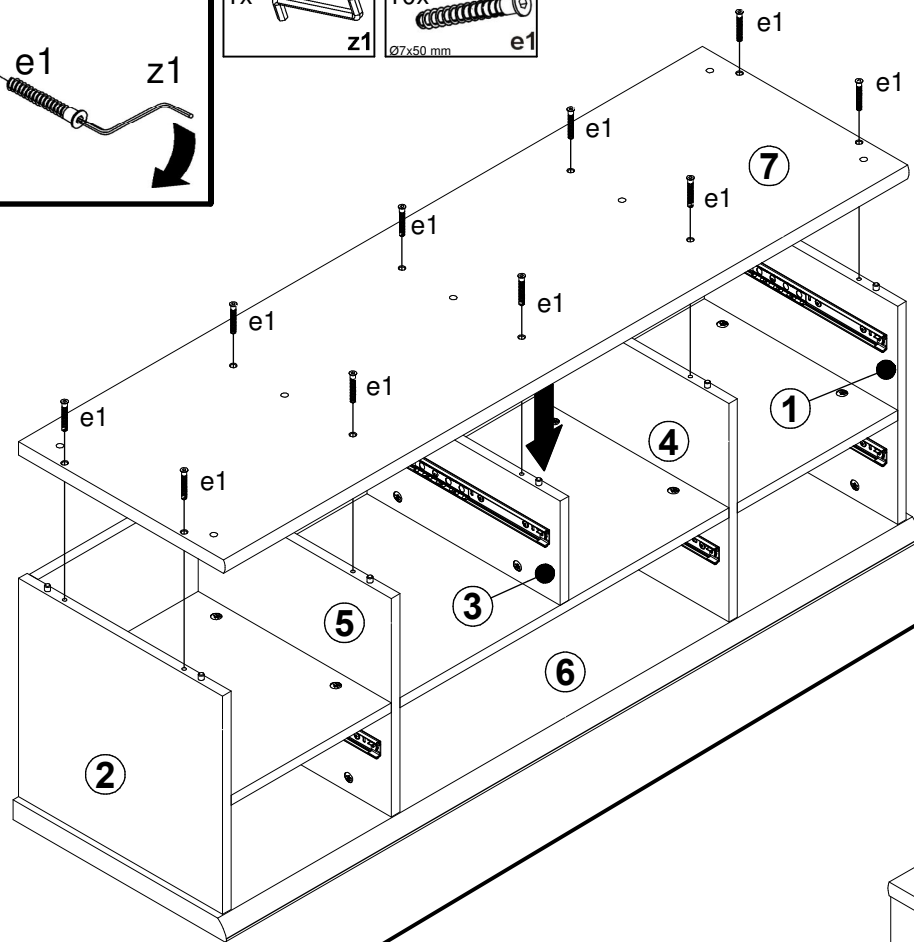


5

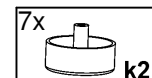
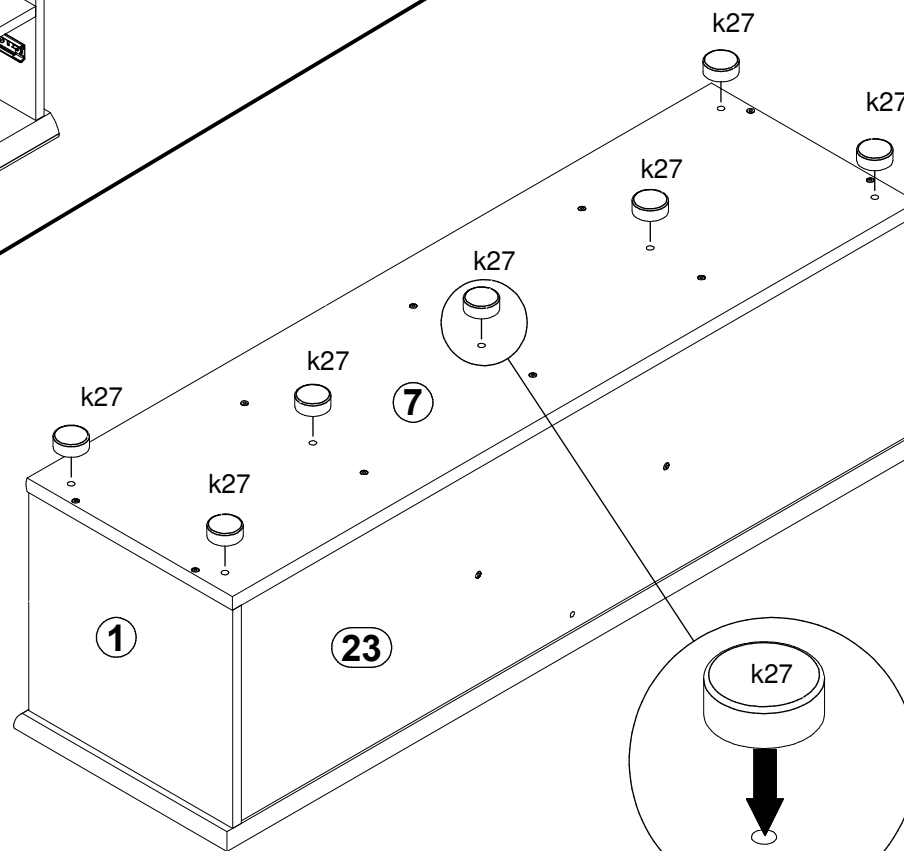


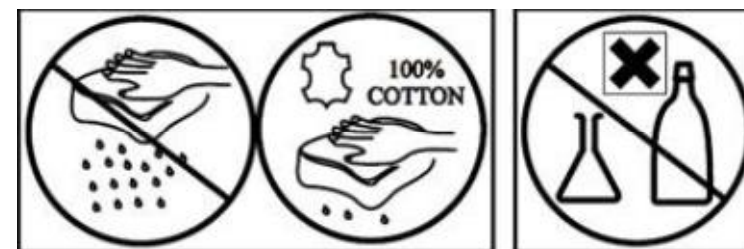
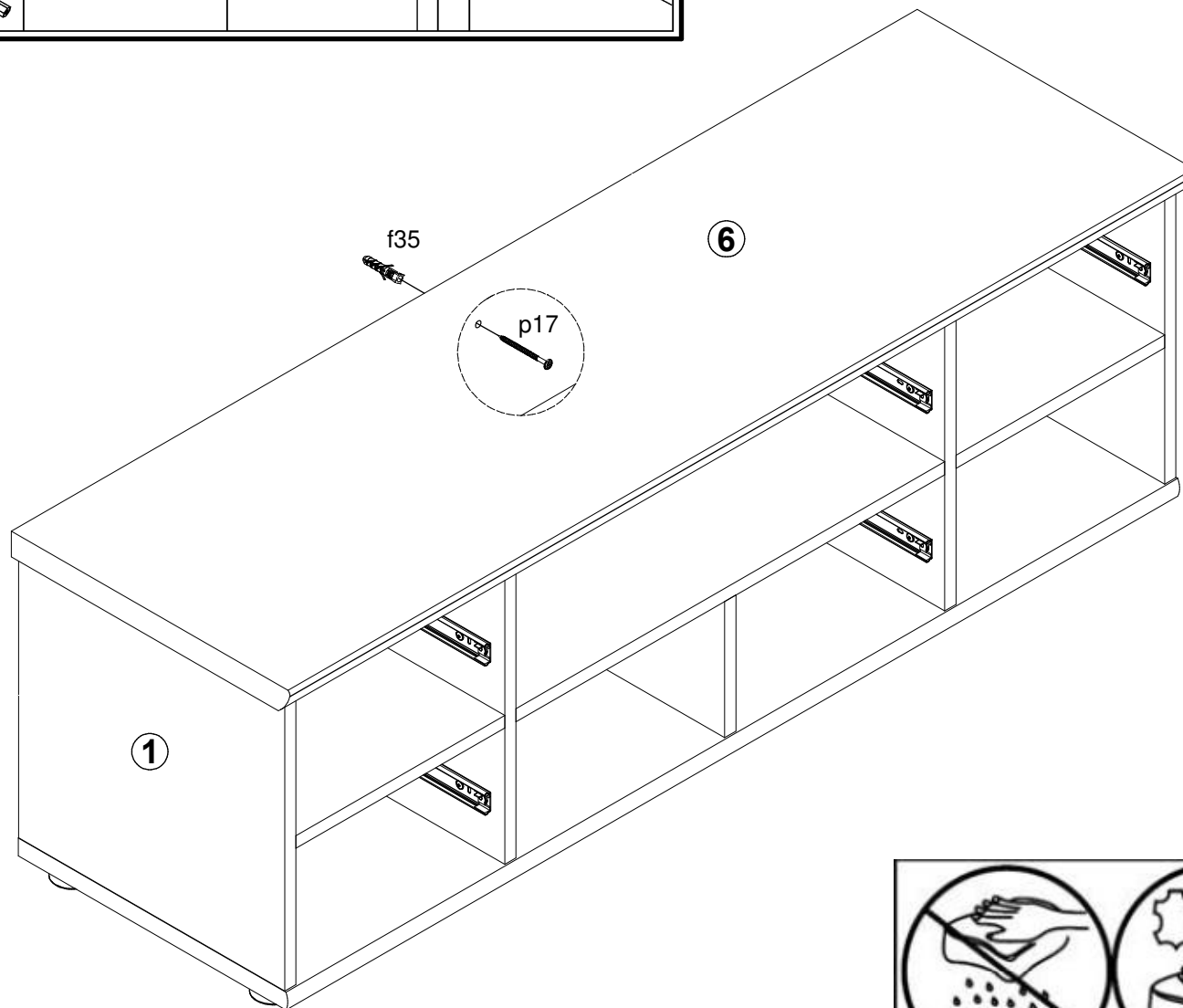
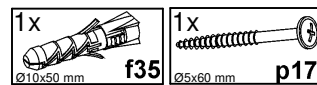
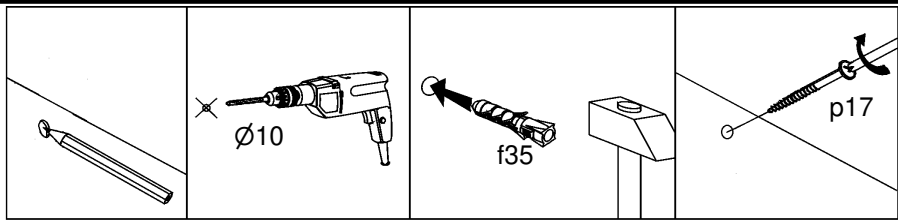


6



7

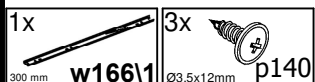
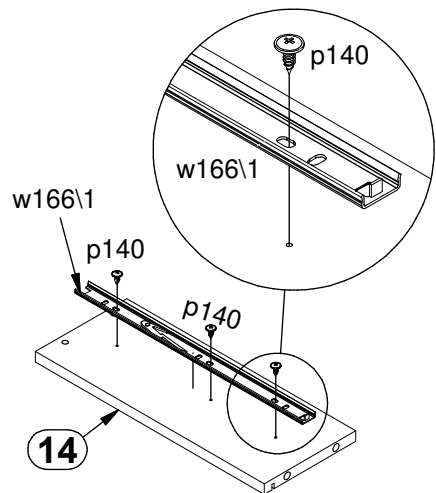




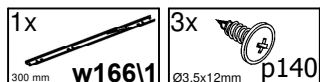
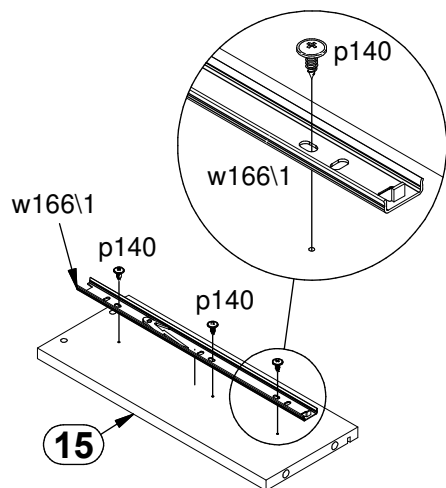
9



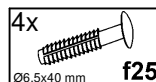
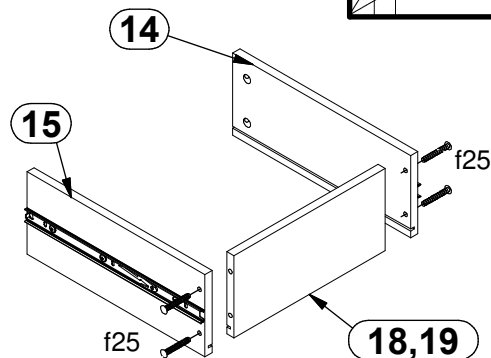
I



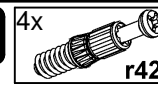
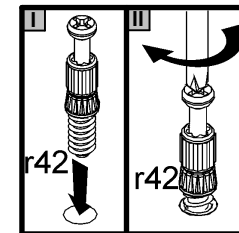
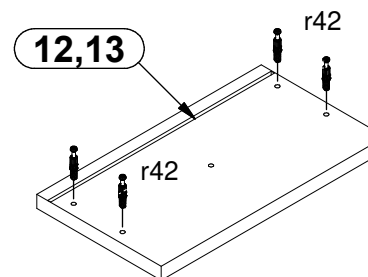
II



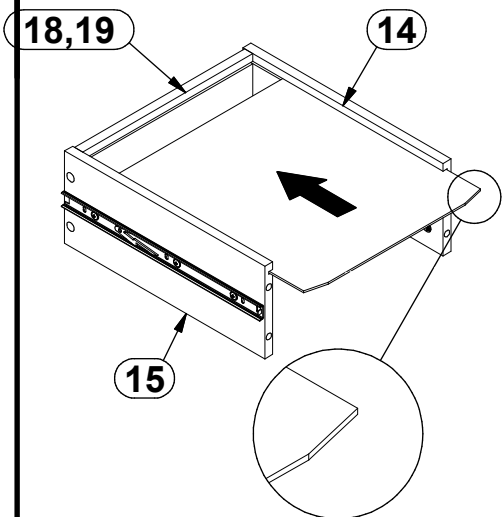
III



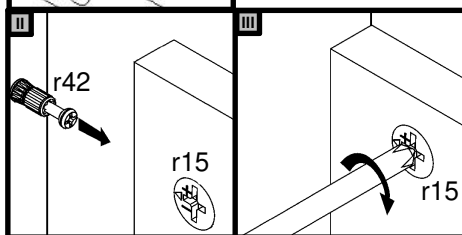
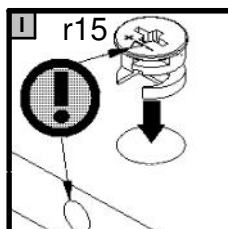
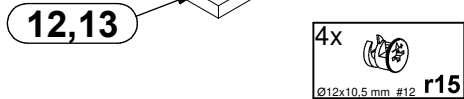
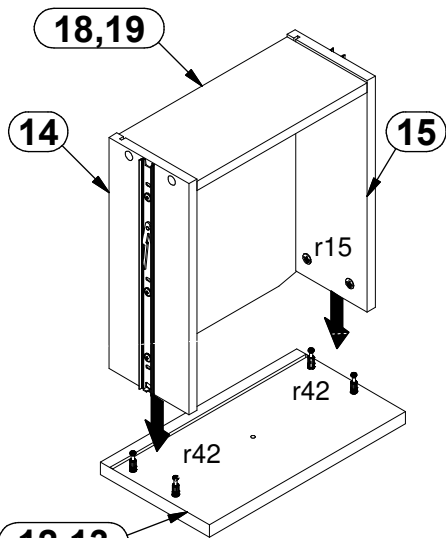
IV



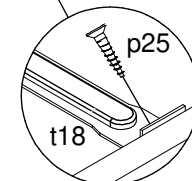
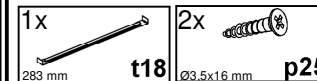
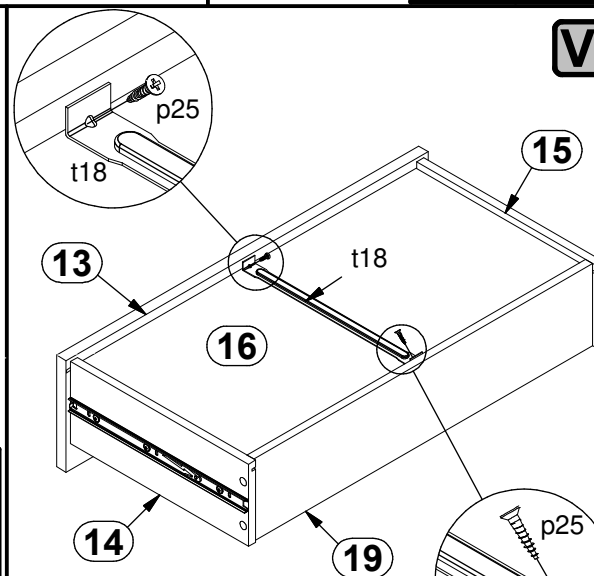
V



VI

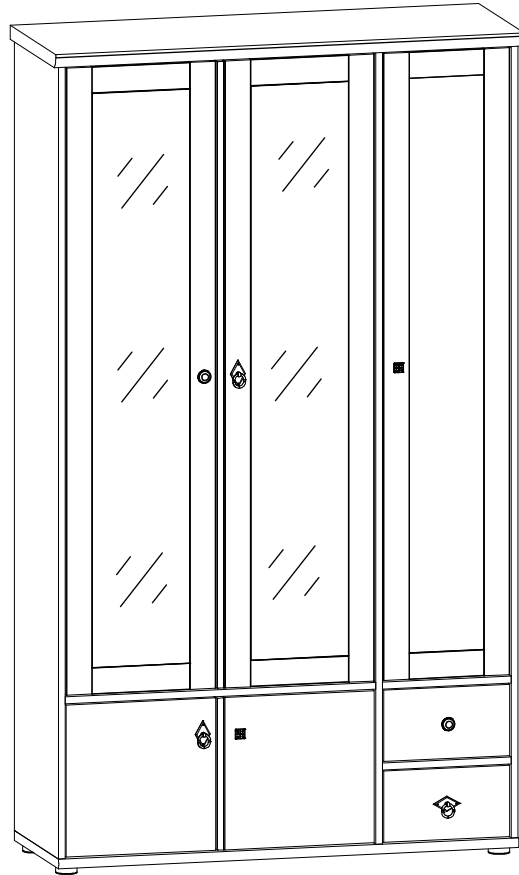
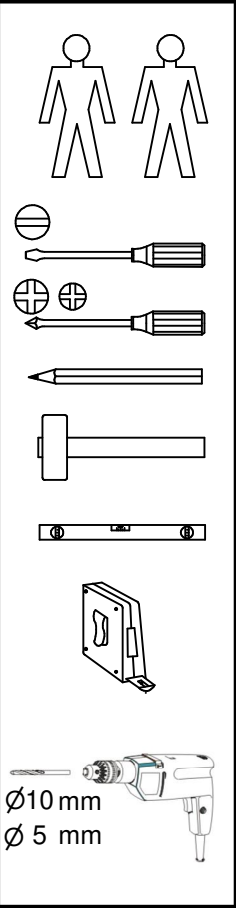


VII

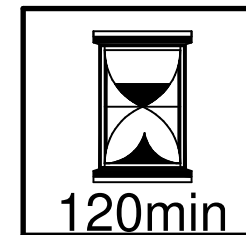




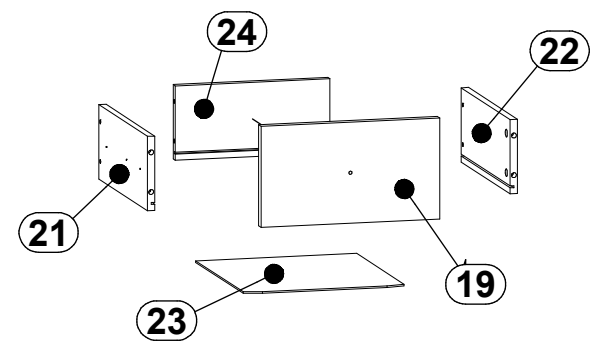
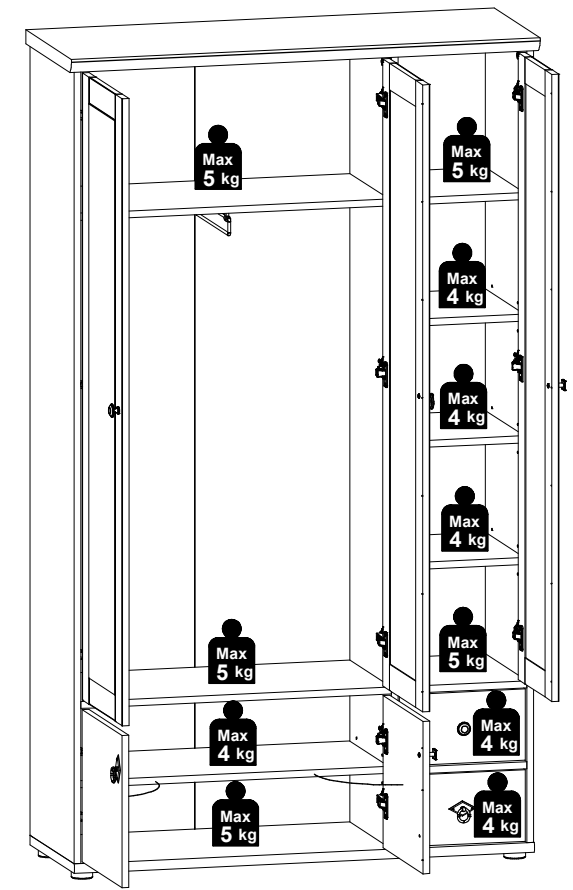
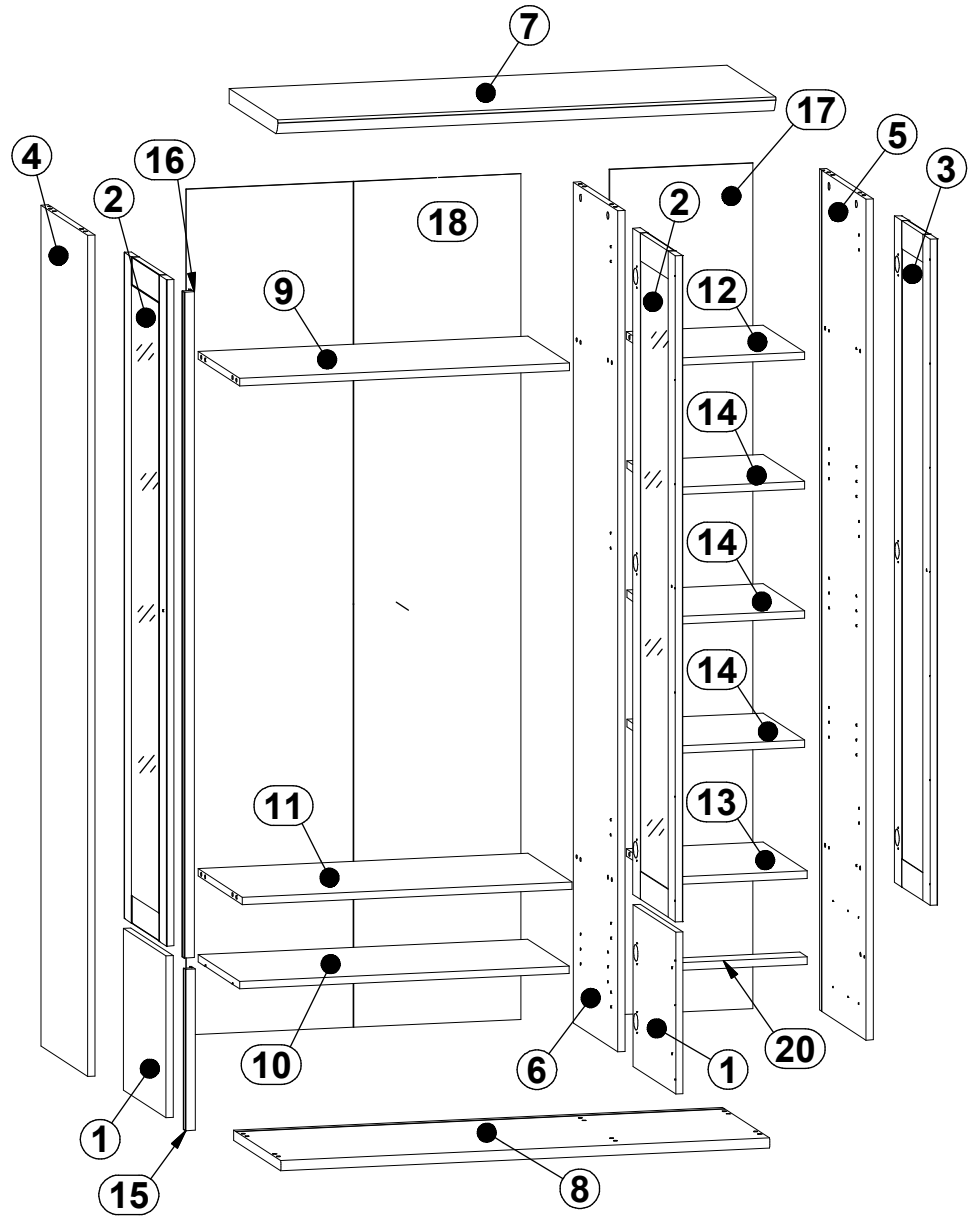




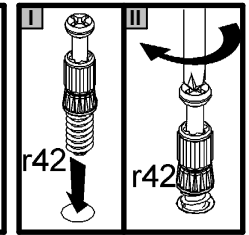
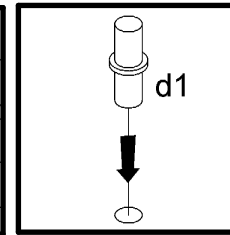
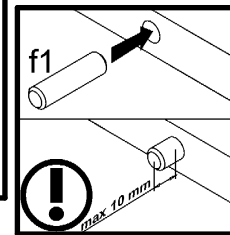
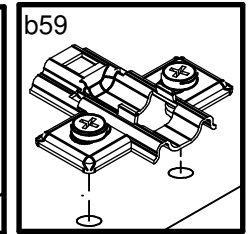
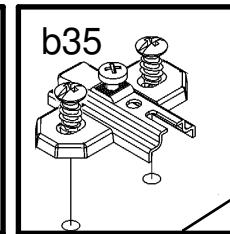
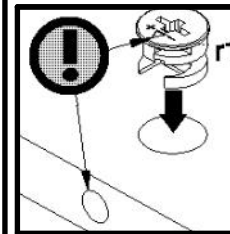
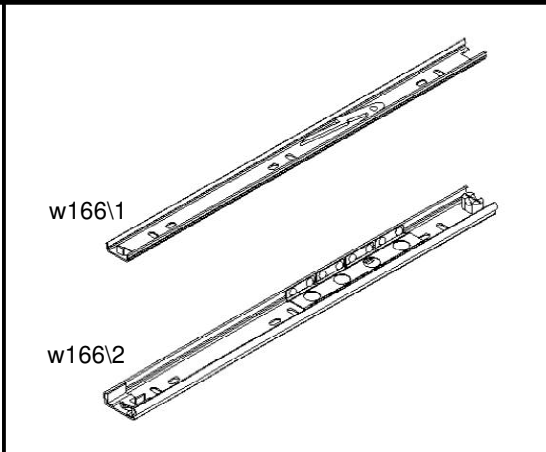
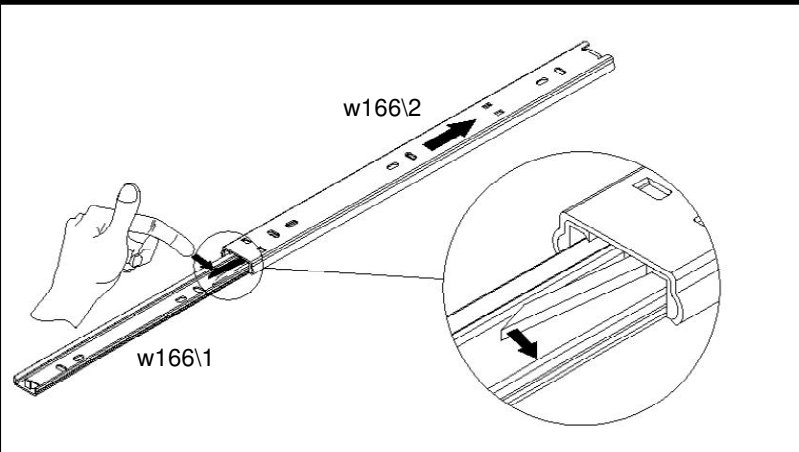
A	B	C (mm)		D
1	M196-0001	348	348	3/3
2	M196-0002A	1433	348,	3/3
3	M196-0003A	1433	294	3/3
4	M196-1003	1809	382	2/3
5	M196-1004	1809	382	2/3
6	M196-1005	1809,	362	3/3
7	M196-2003	1093	400	1/3
8	M196-2004	1073	387	1/3
9	M196-3001	724	340	2/3
10	M196-3002	723,	340	2/3
11	M196-3003	724	362	1/3
12	M196-3004	300	340	2/3
13	M196-3005	300	362	1/3
14	M196-3006	299	340	1/3
15	M196-5501	347	33	3/3
16	M196-5502A	1432	33	3/3
17	M196-9001	1819	315	2/3
18	M196-9301	1819,	735	2/3
19	S248-0009	163	294	1/3
20	S248-4003	300	60	1/3
21	WSK3-503	300	120	1/3
22	WSK3-504	300	120	1/3
23	WSP-9090	265	298	1/3
24	WTR-5026	255	120	1/3



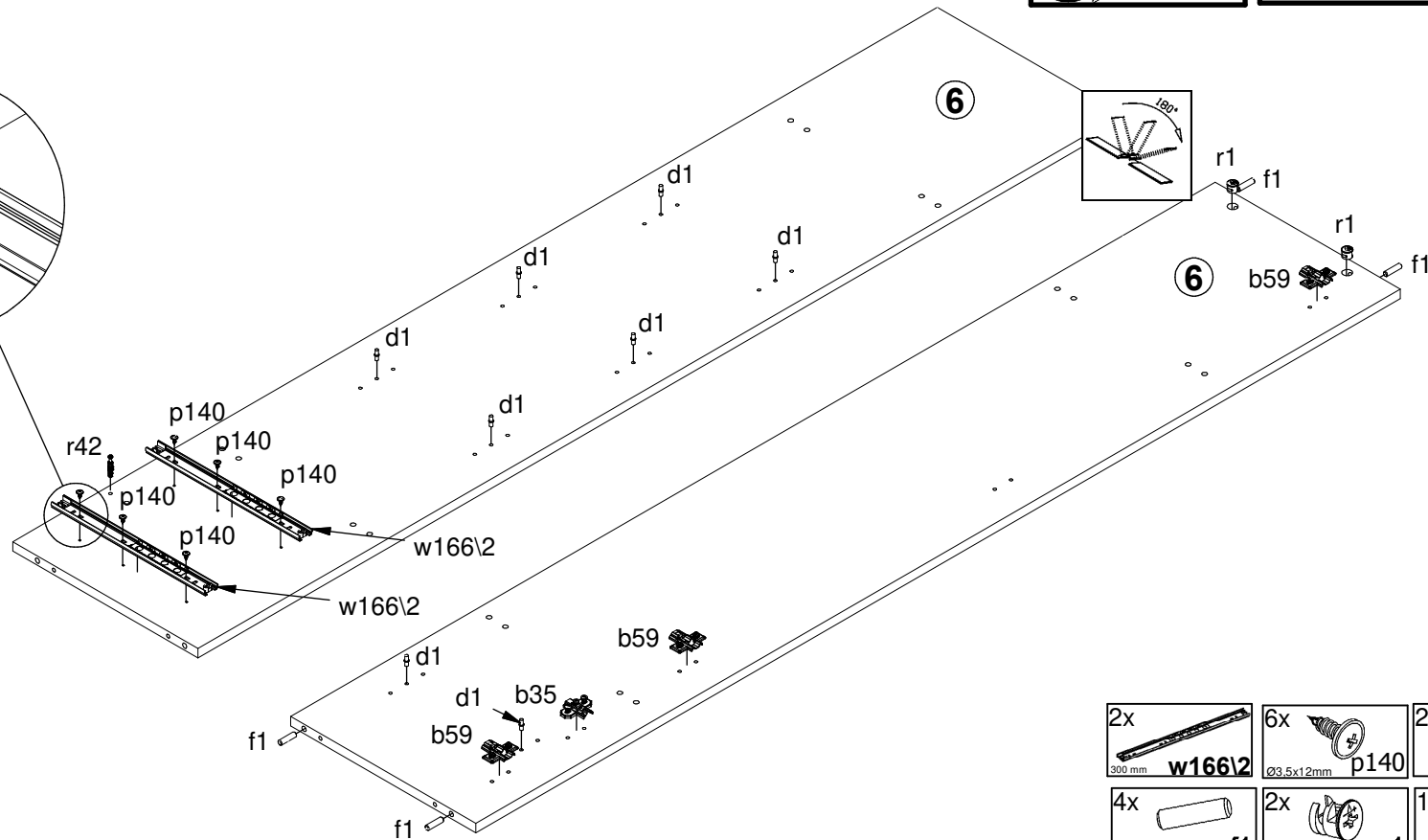
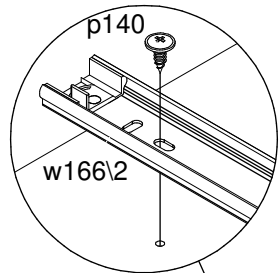
5x  a43	8x  a101	5x  b35	8x  b59	2x  c445	2x  c446	3x  c447	16x  d1	6x  e1	22x  f1	4x  f6	8x  f25	7x  j30
6x  k27	20x  l1	22x  l2	1x  m6	12x  n108	4x  p27	10x  p38	26x  p51	12x  p55	24x  p140	24x  r1	4x  r10	8x  r15
24x  r42	14x  s2	3x  S82	4x  w1661	4x  w1662	1x  z1	1x  f35	1x  n1412	1x  p17	2x  p38			



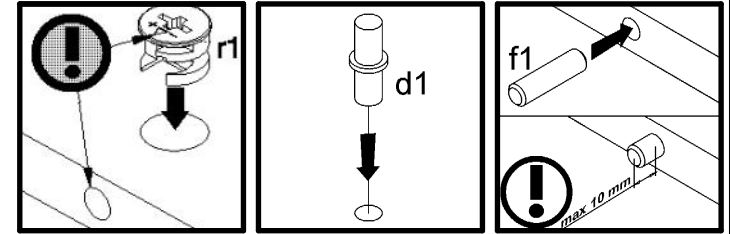
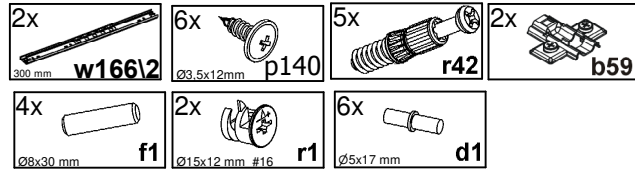




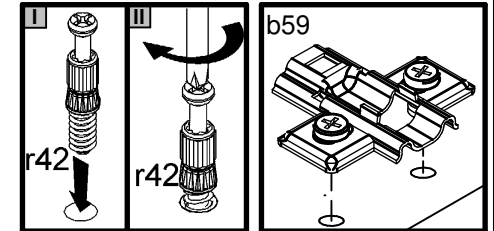
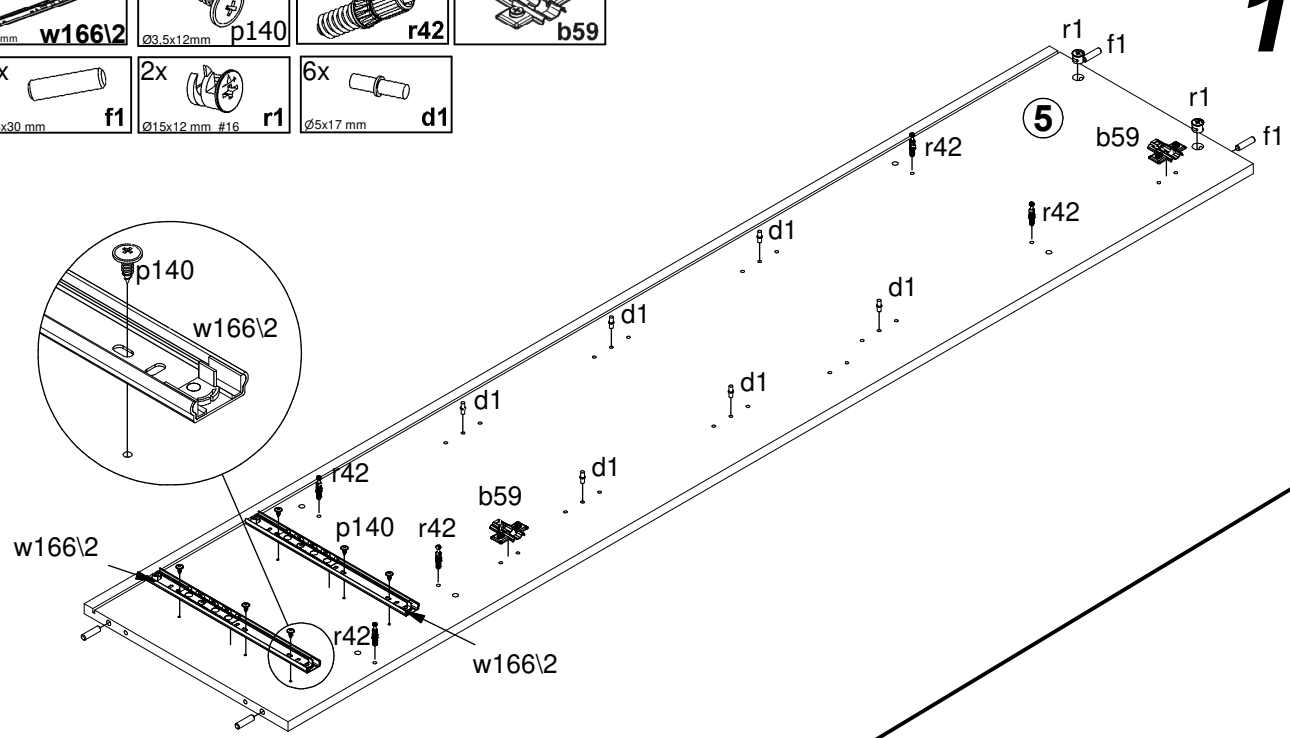
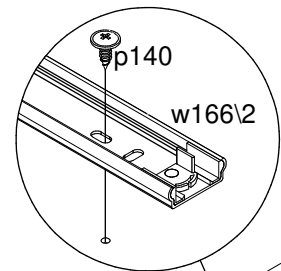
**1**



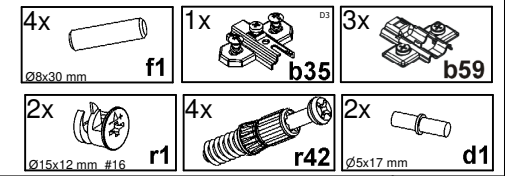
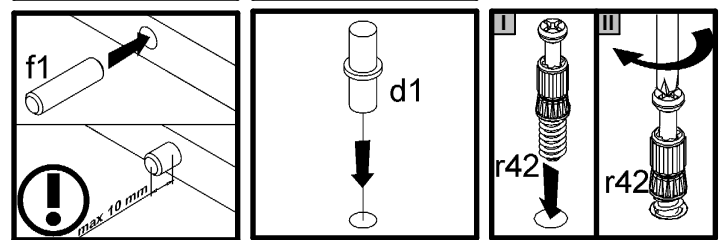
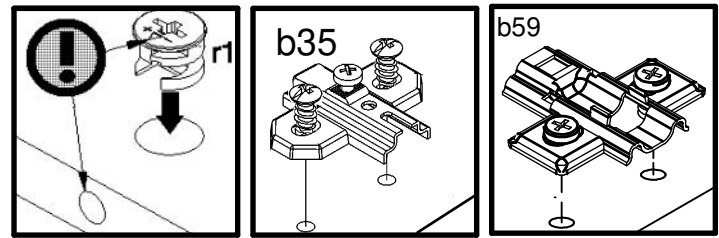
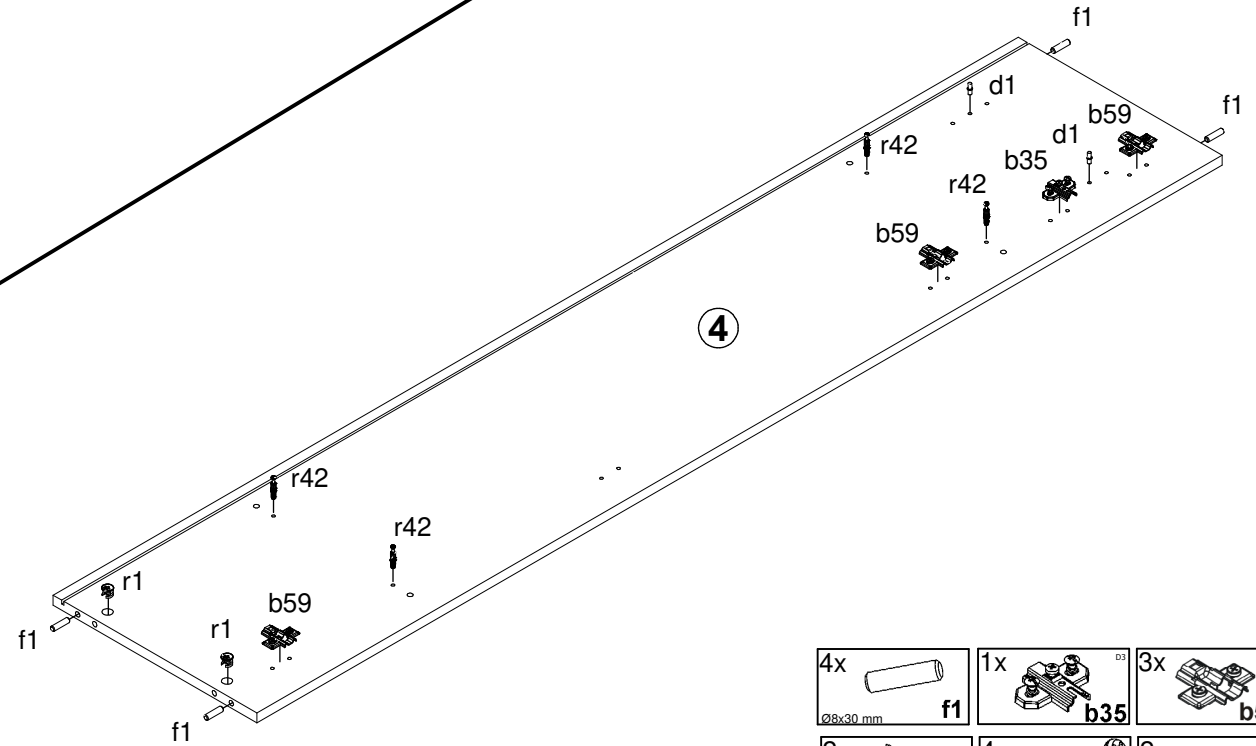
2x 300 mm <b>w166\2</b>	6x $\varnothing 3.5 \times 12 \text{ mm}$ <b>p140</b>	2x <b>b35</b>	3x <b>b59</b>
4x $\varnothing 6 \times 30 \text{ mm}$ <b>f1</b>	2x $\varnothing 15 \times 12 \text{ mm}$ #16 <b>r1</b>	1x <b>r42</b>	8x $\varnothing 5 \times 17 \text{ mm}$ <b>d1</b>

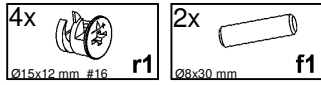
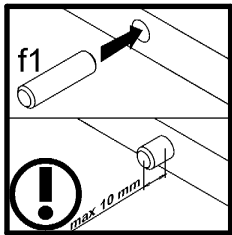


**1**

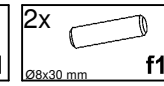
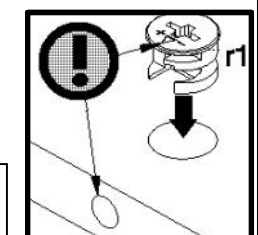
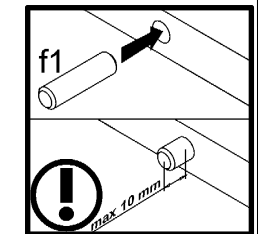
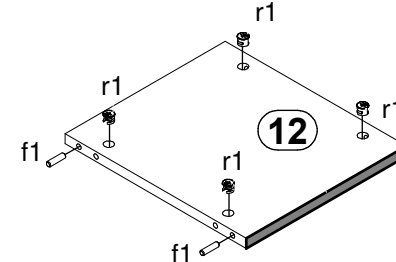
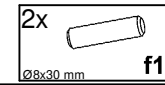
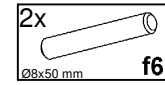
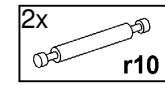
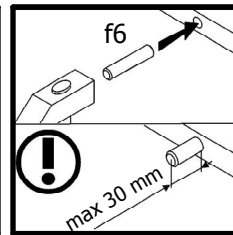
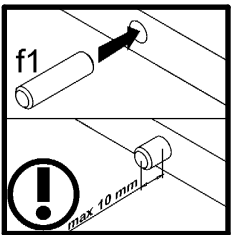
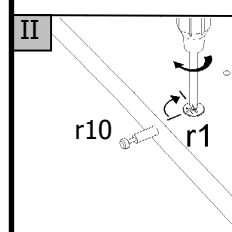
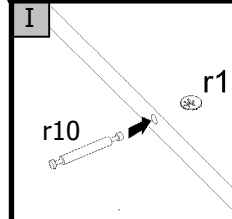
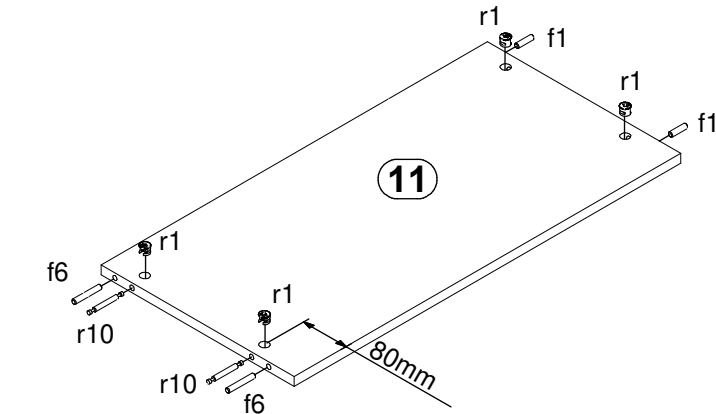
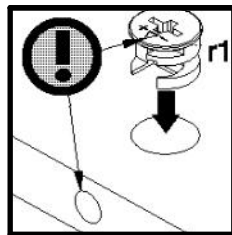
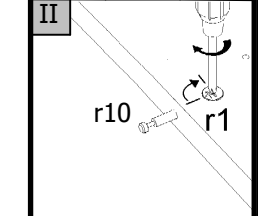
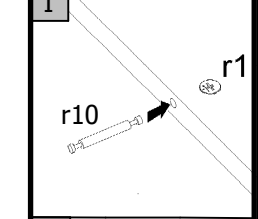
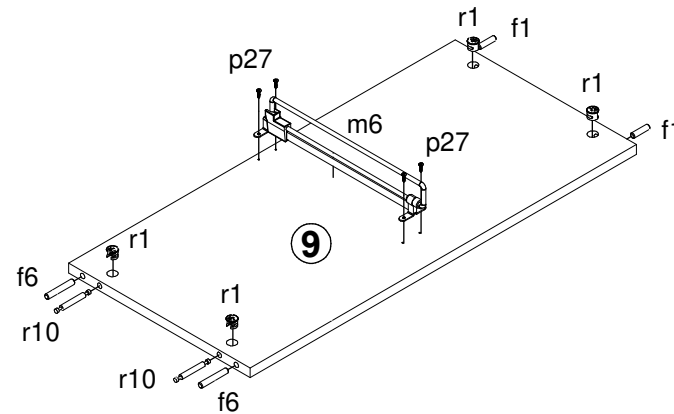
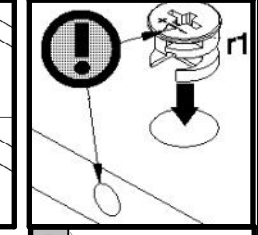
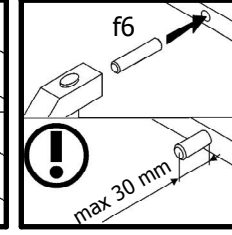
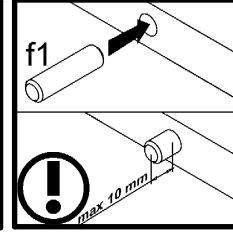
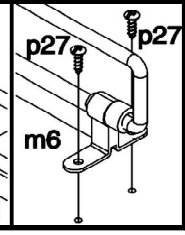
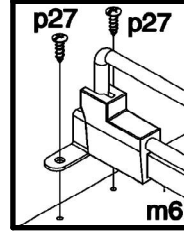
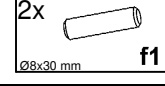
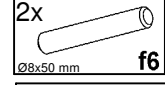
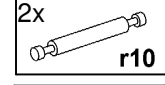
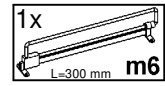
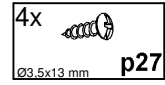
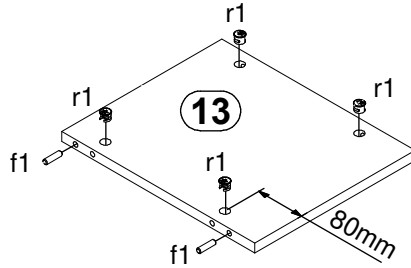
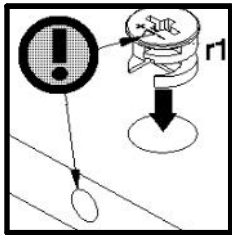


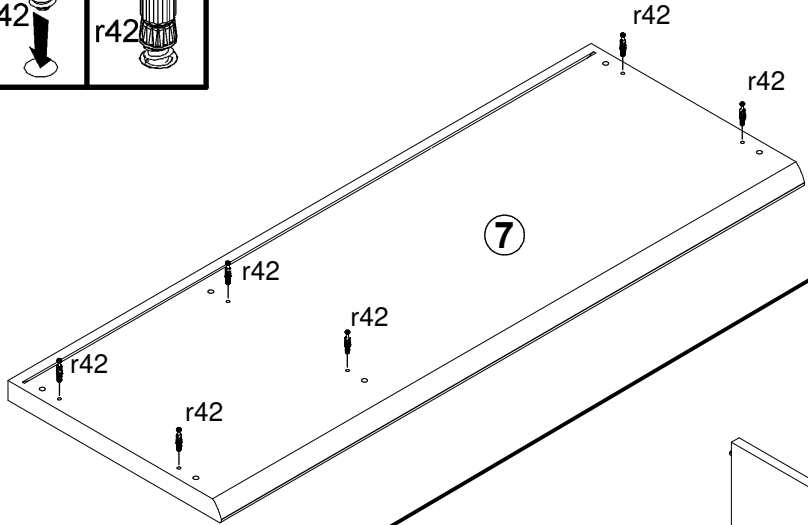
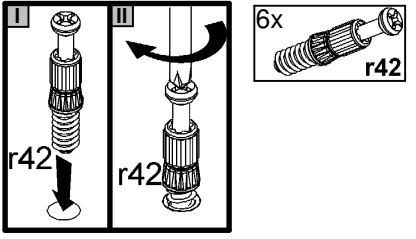
**4**



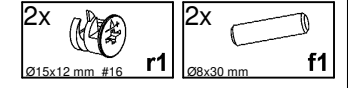
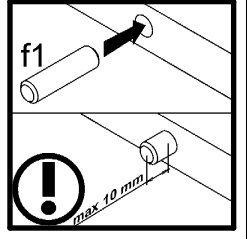
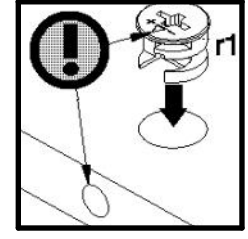
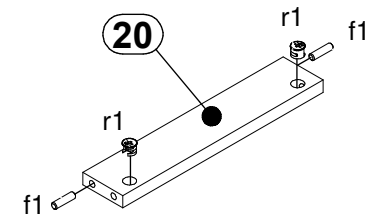


**1**

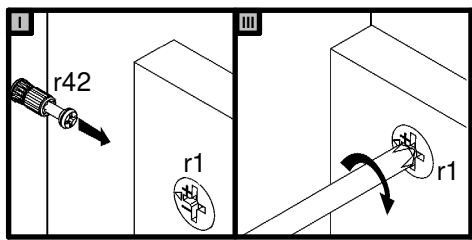
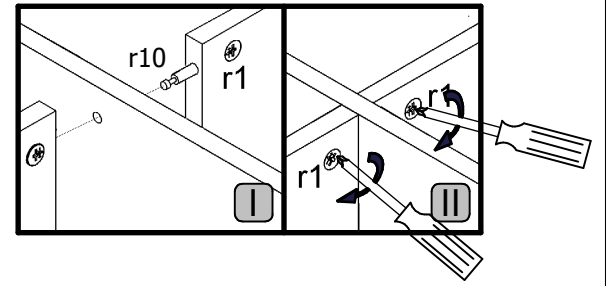
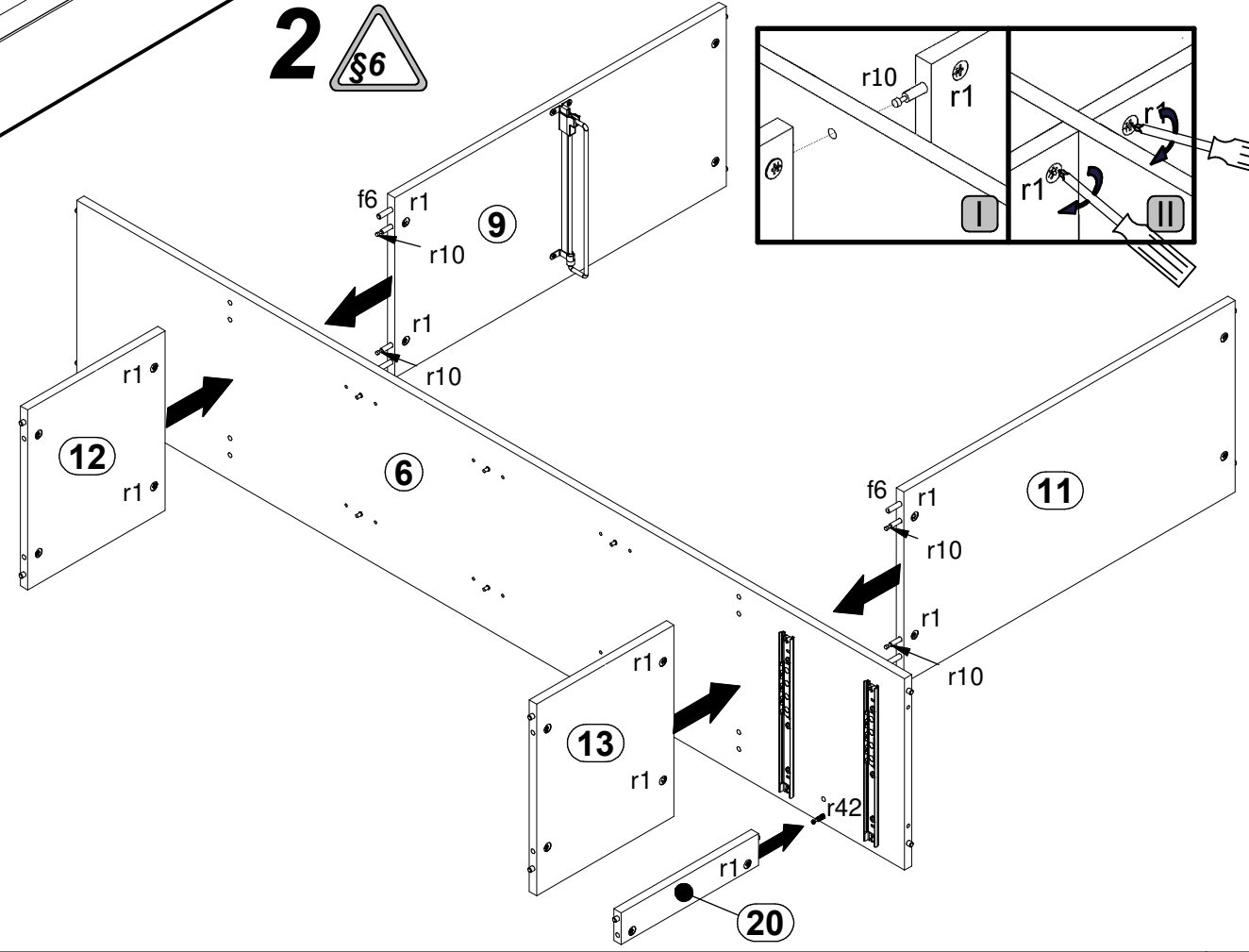




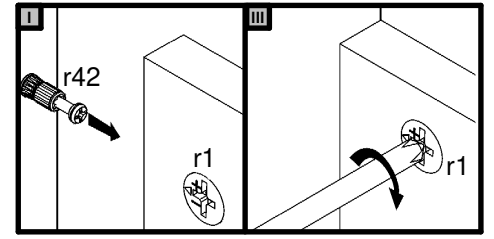
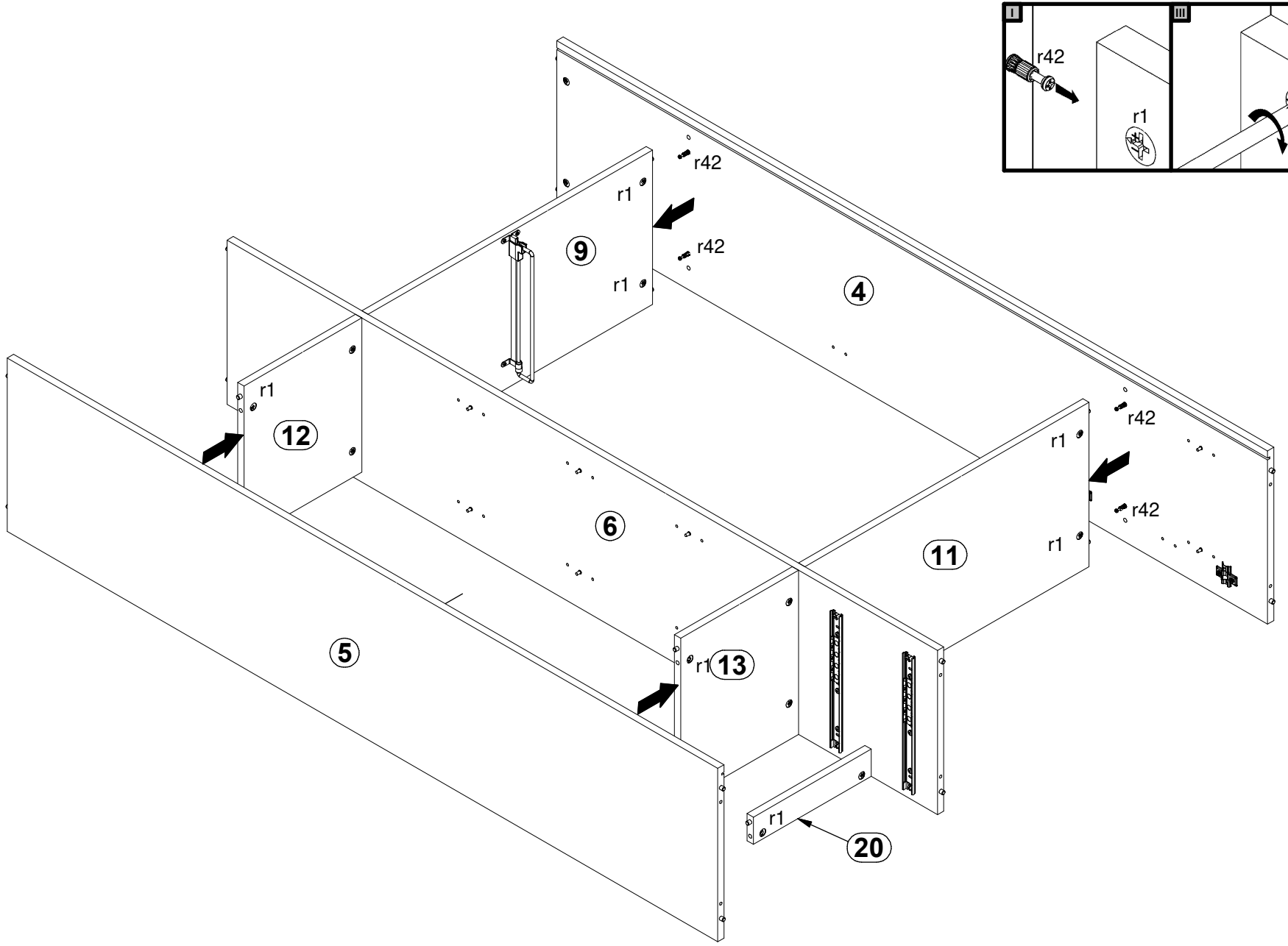
1



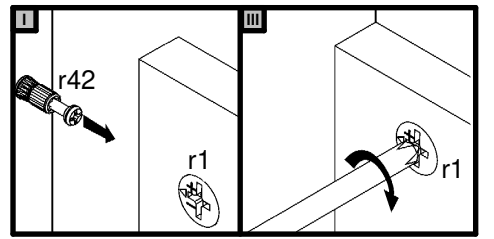
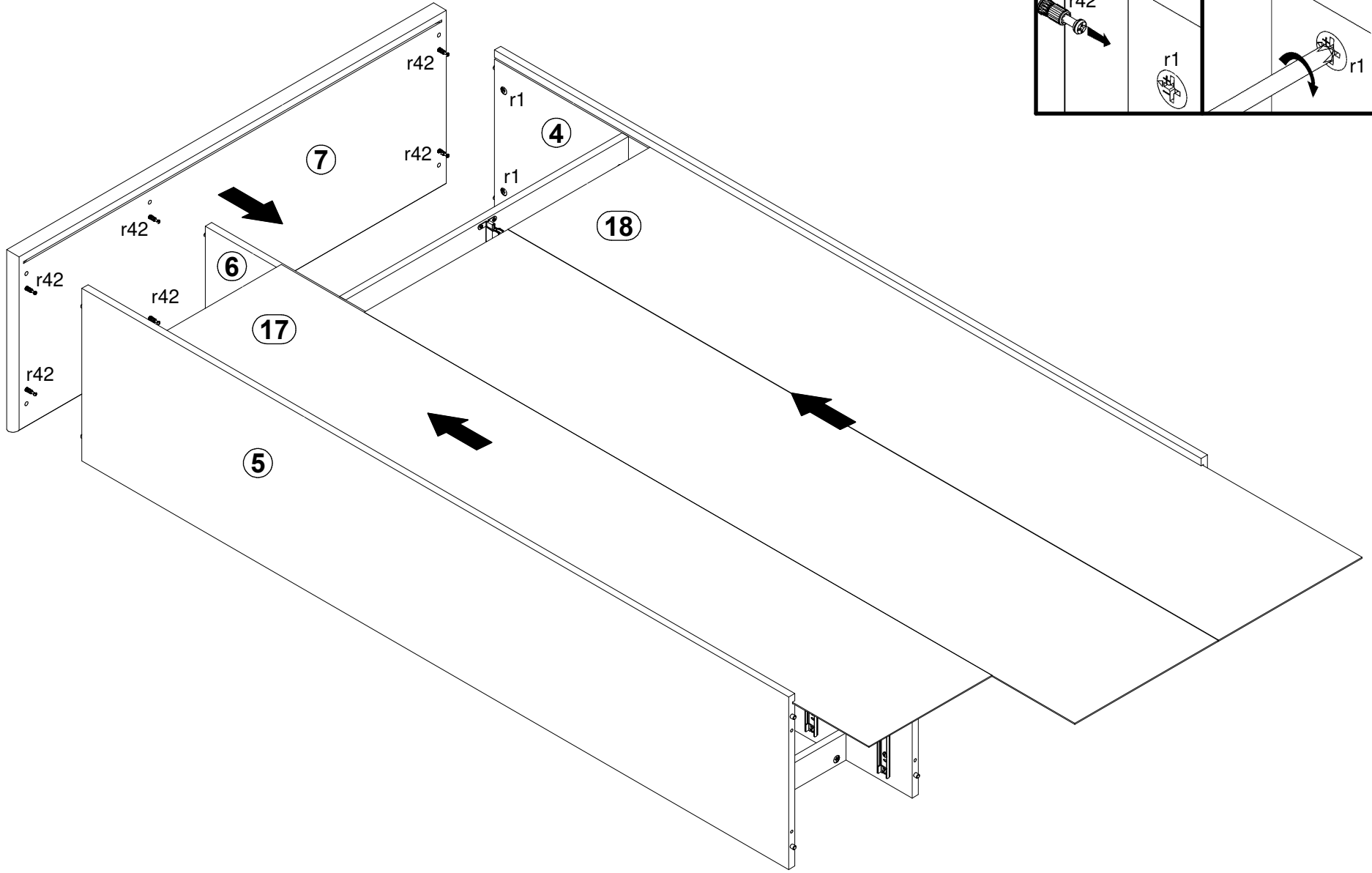
2



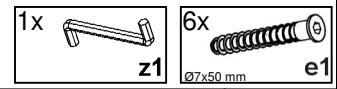
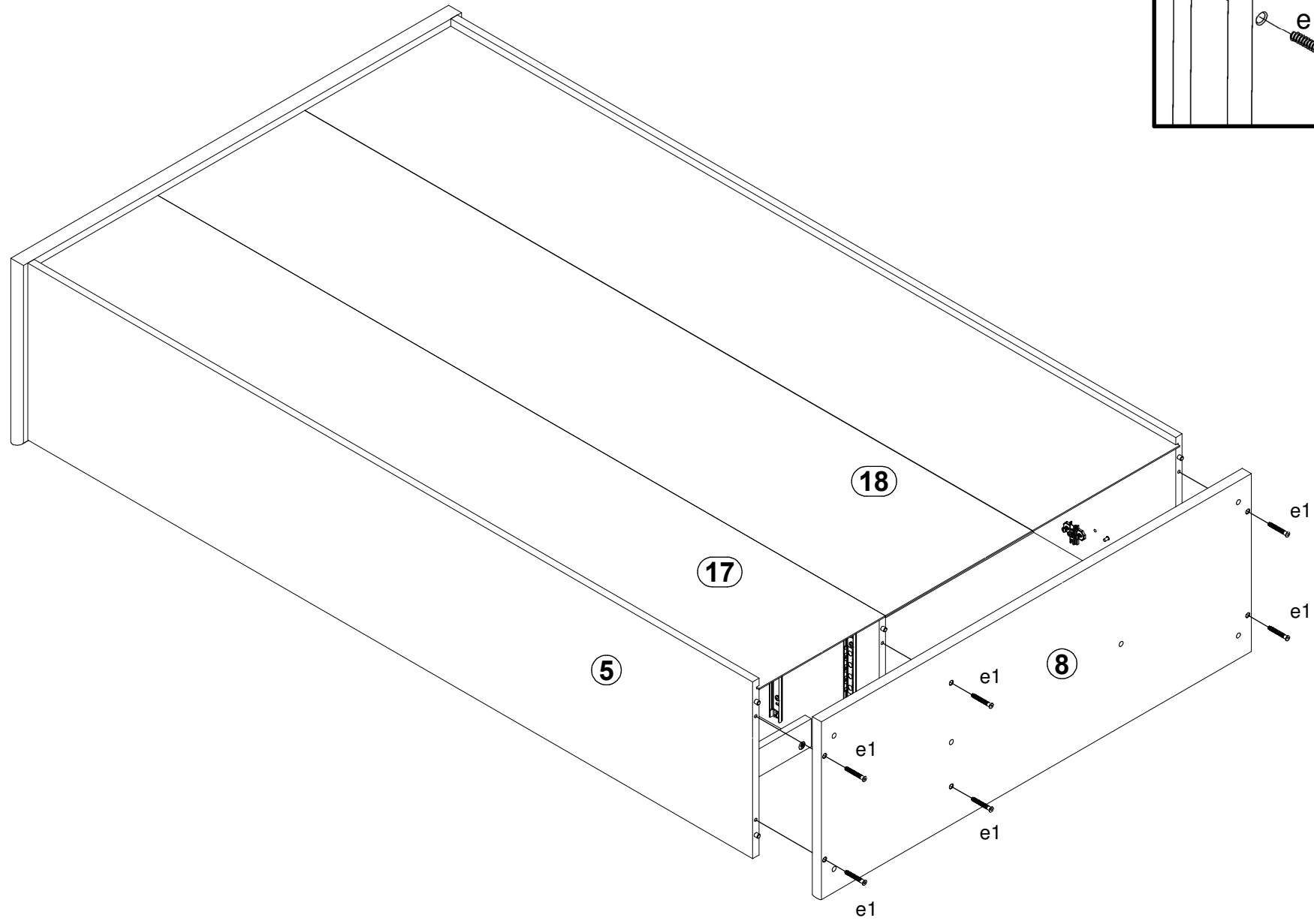
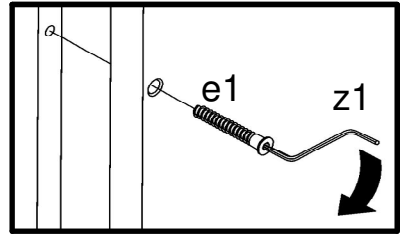
# 3

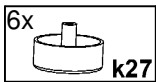
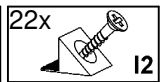
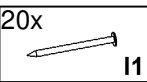
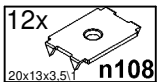
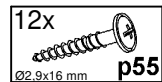
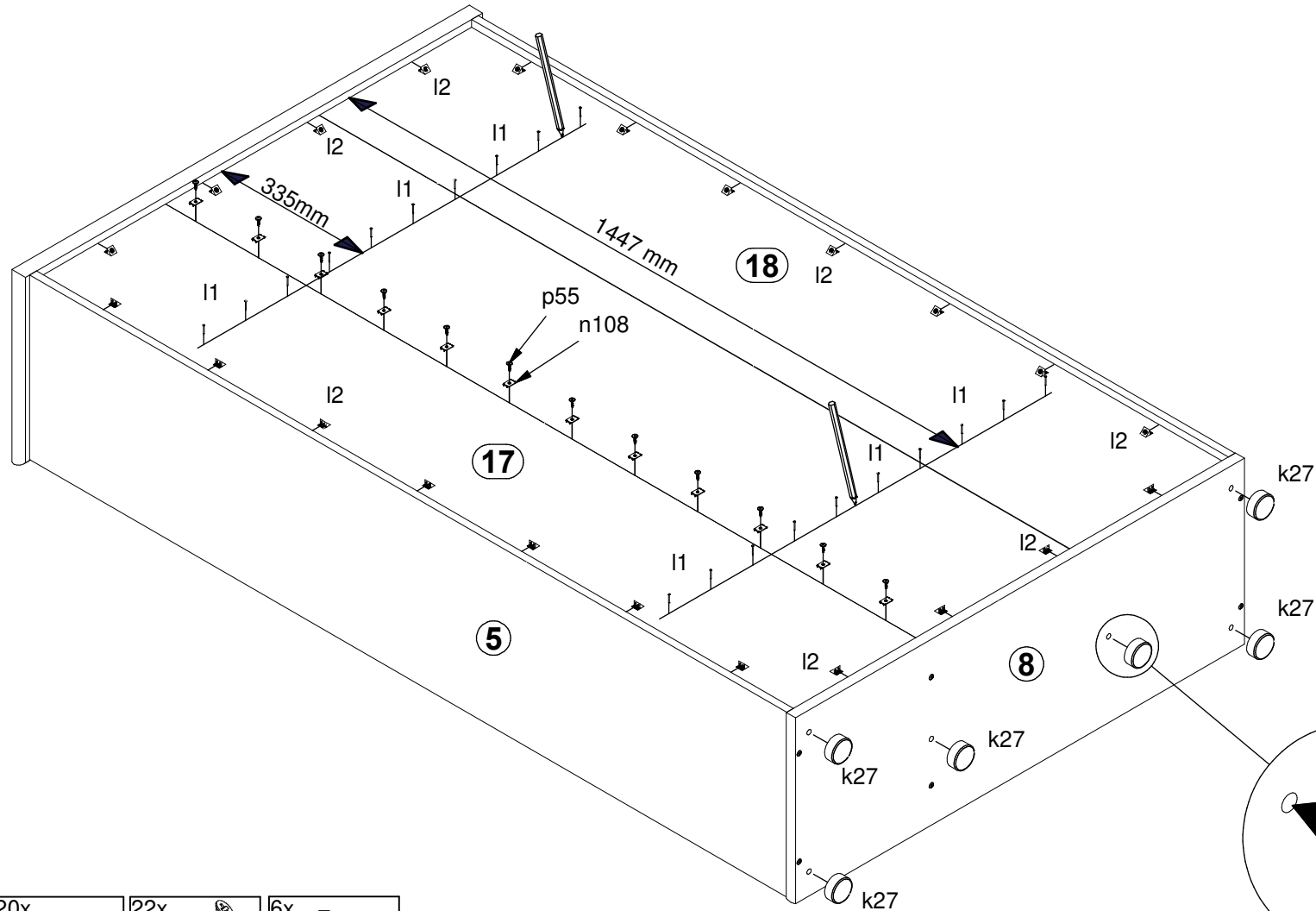
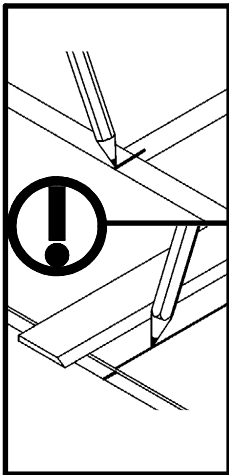
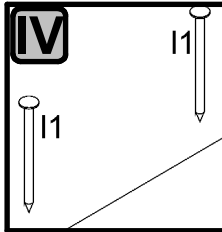
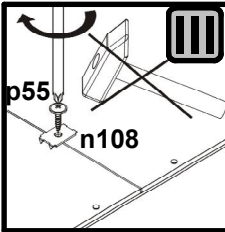
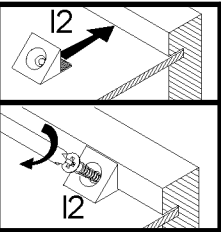
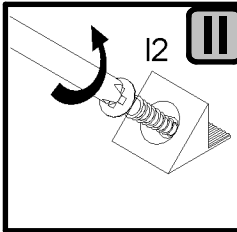
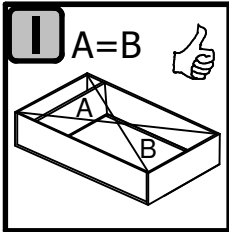


4



5

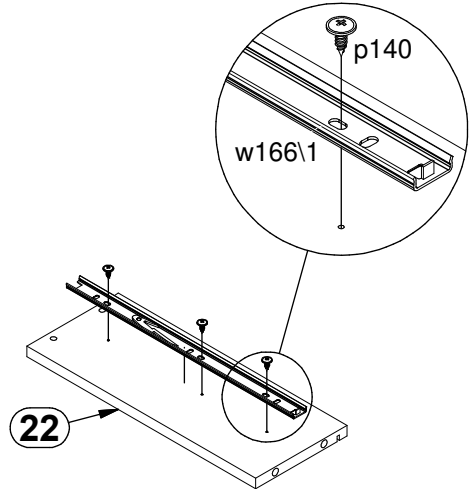


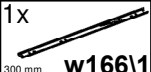





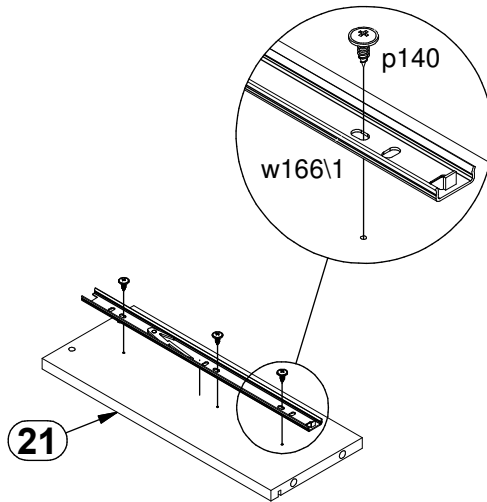
7 

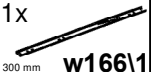

I



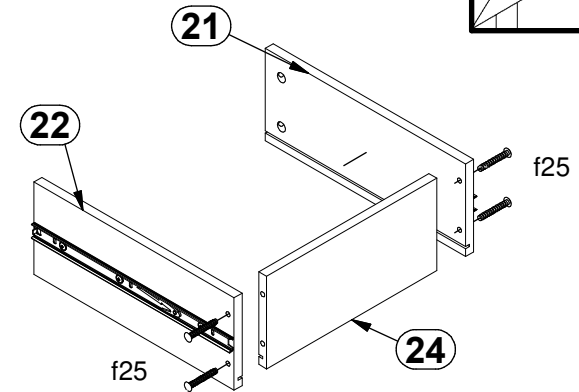
1x  w166\1  
 3x  p140


II



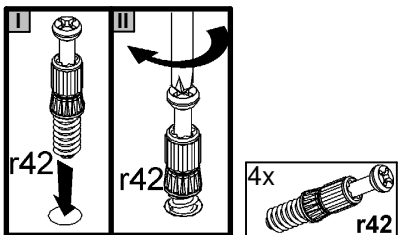
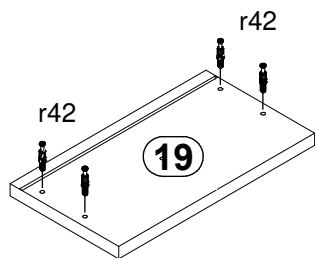
1x  w166\1  
 3x  p140

III

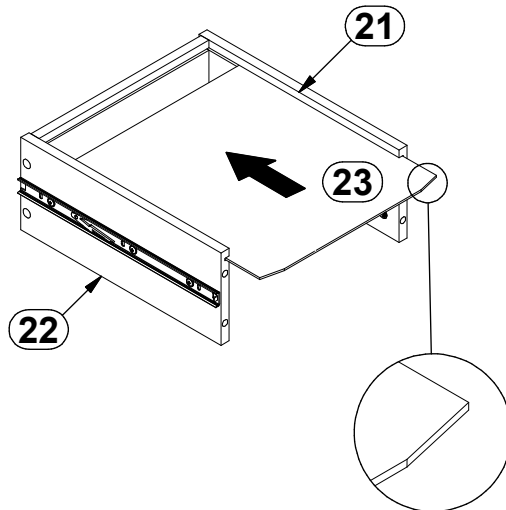


4x  f25

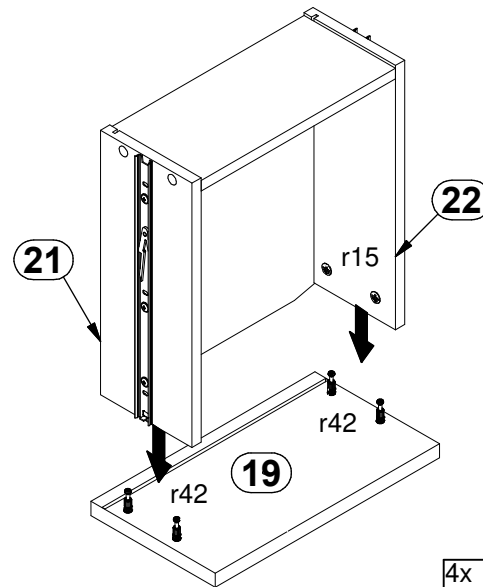
IV



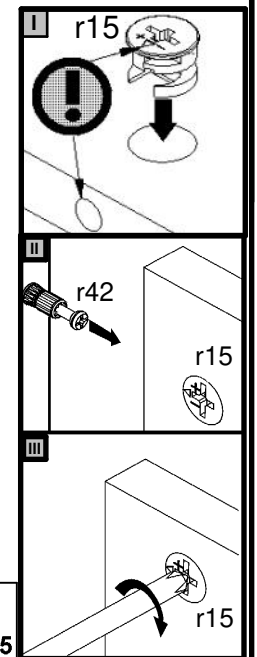
V



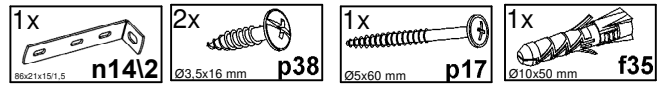
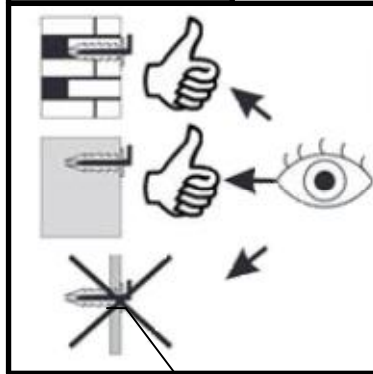
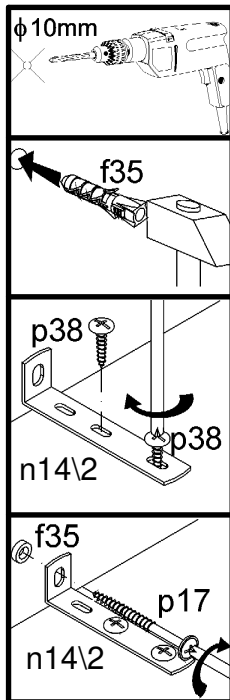
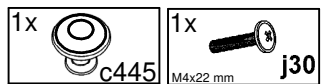
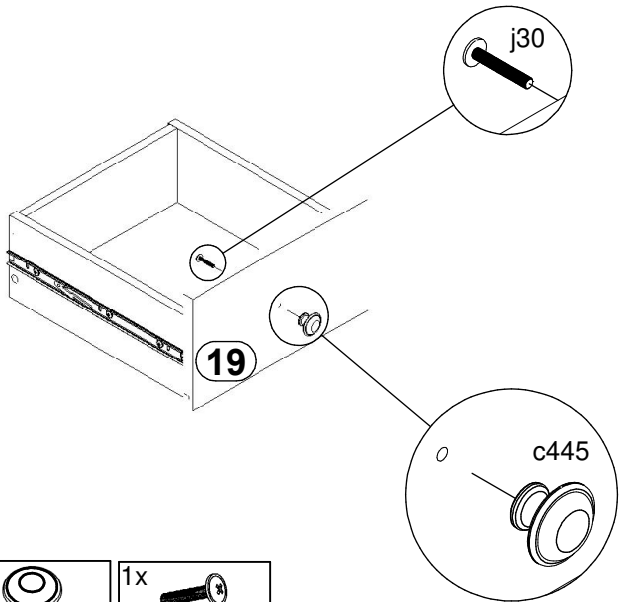
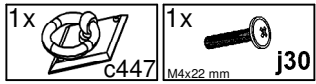
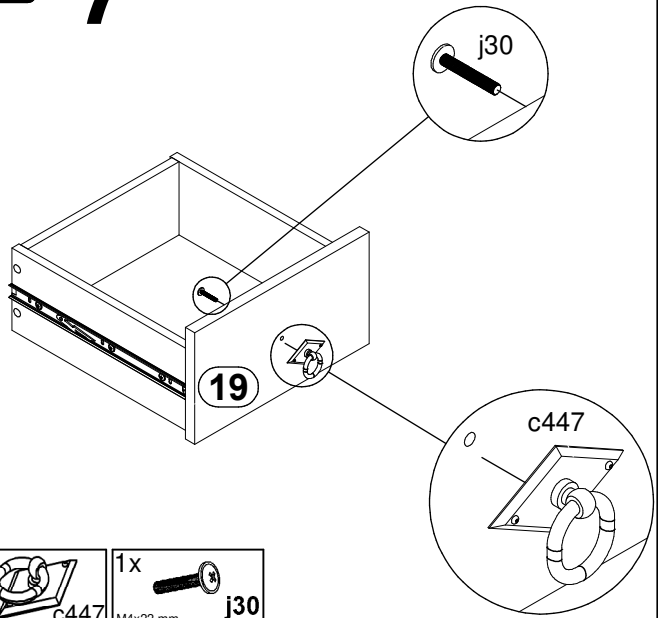
VI



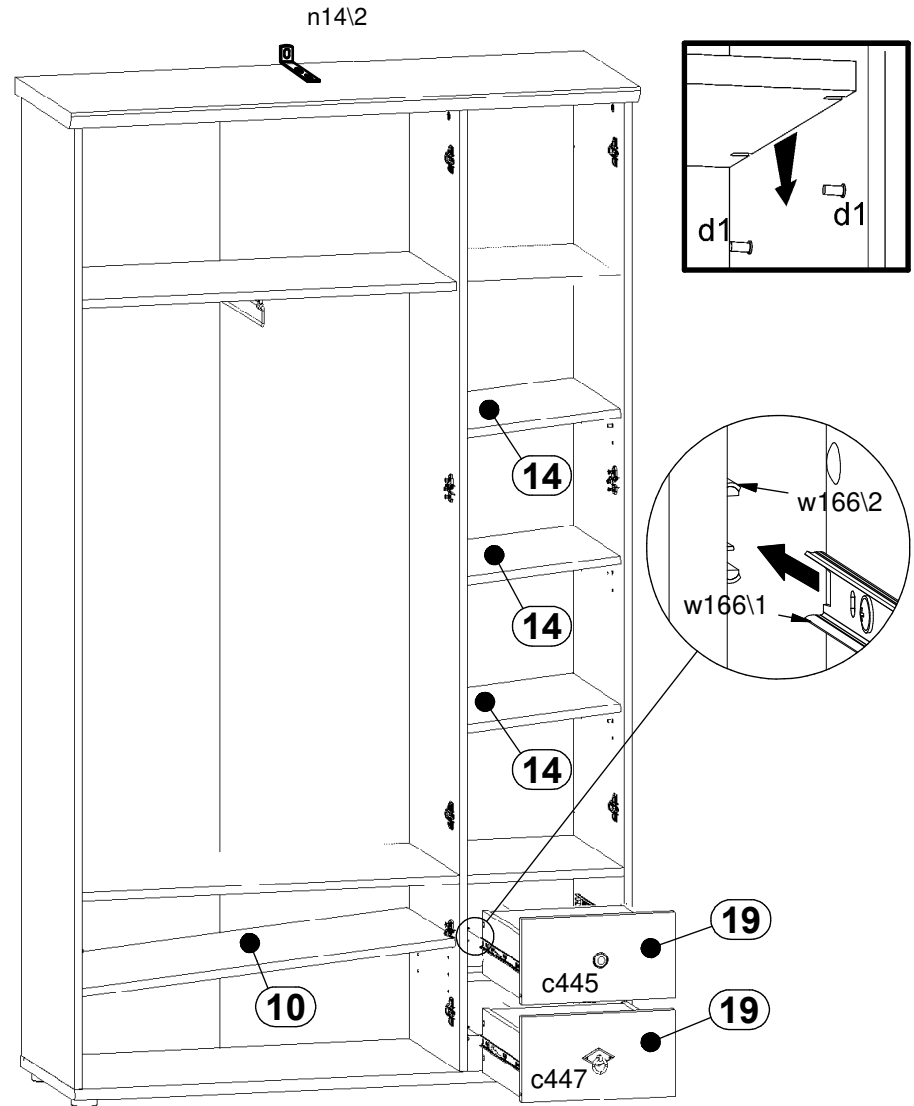
4x  r15



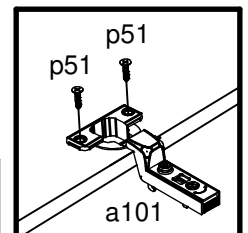
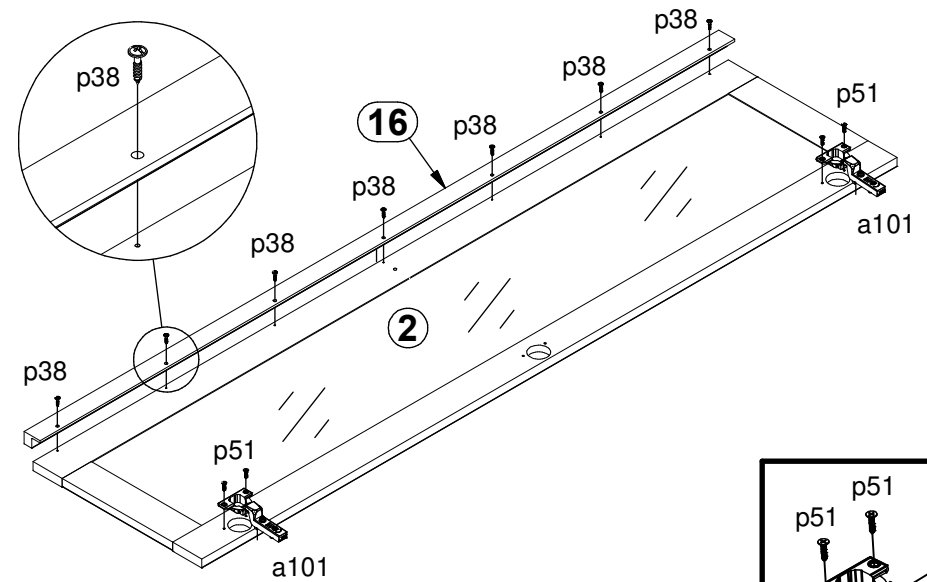
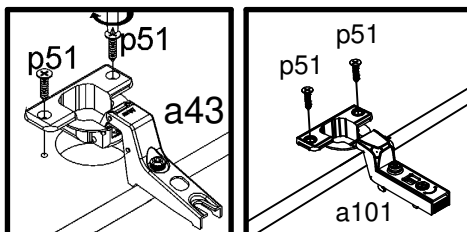
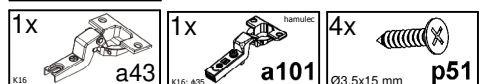
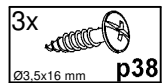
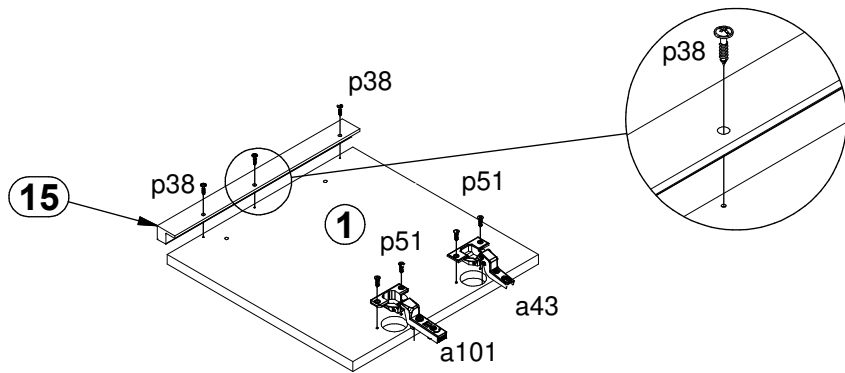
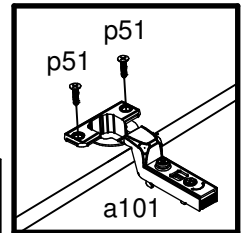
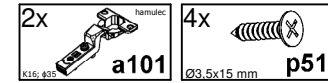
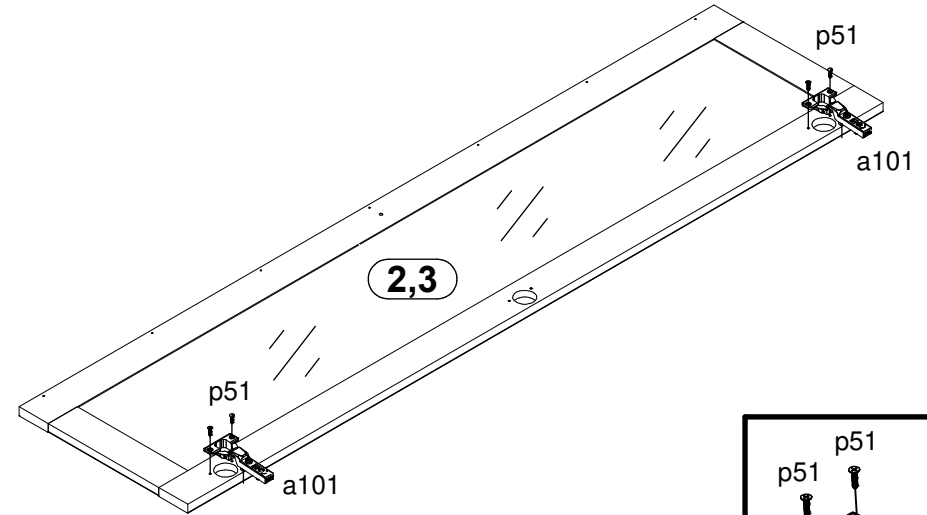
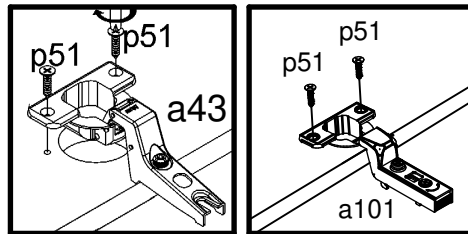
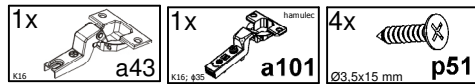
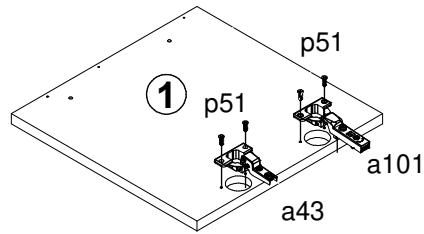
**VII 7**

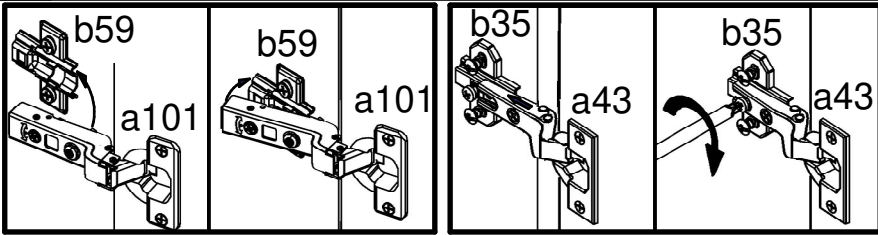


**8**

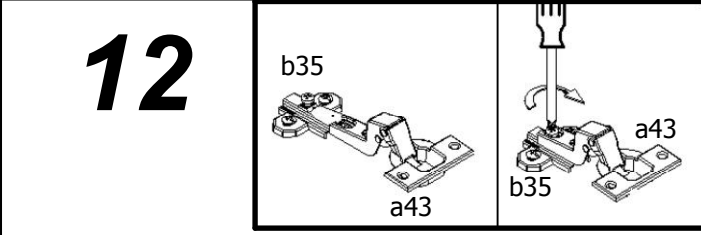


9

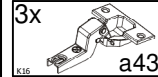
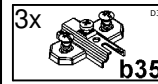
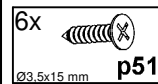
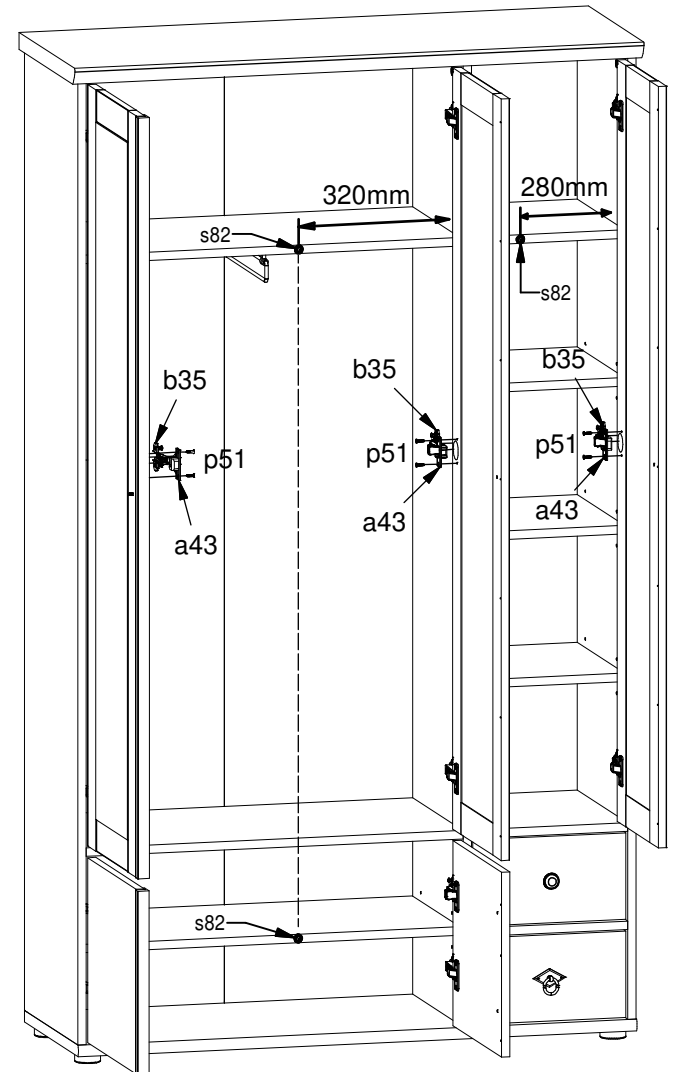
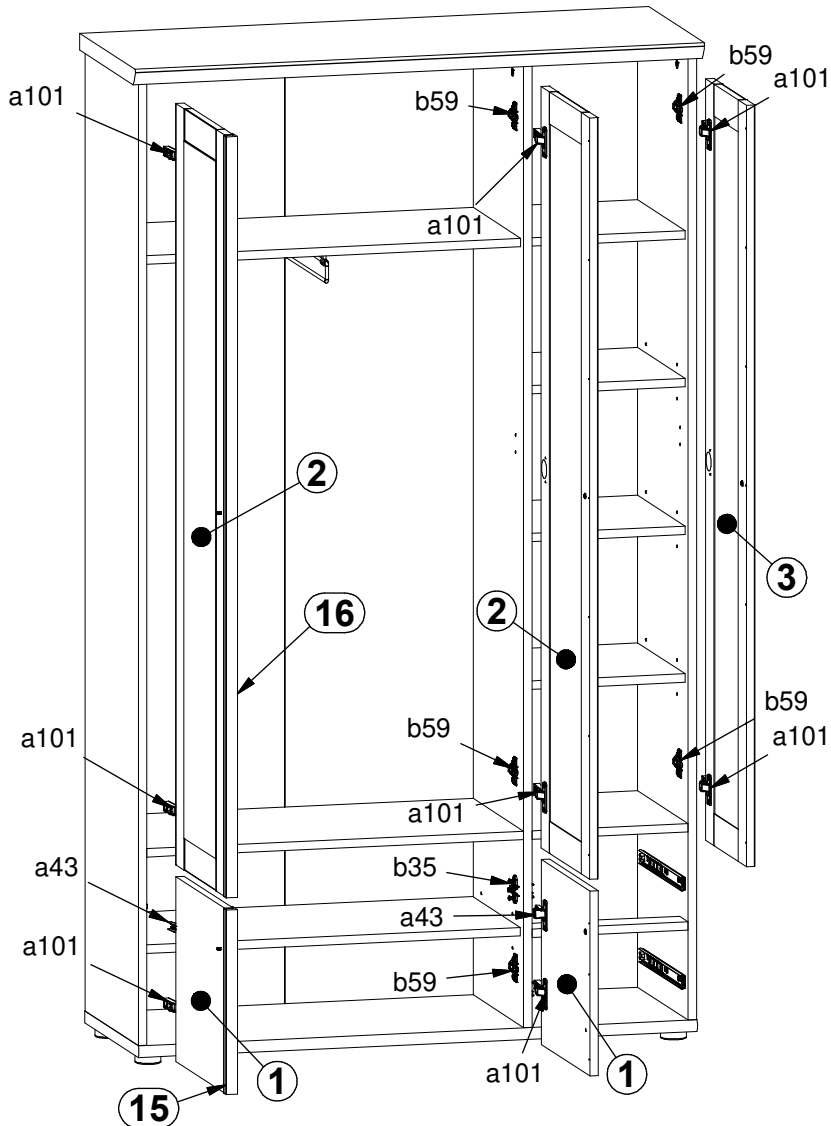
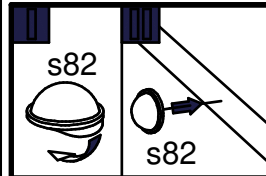
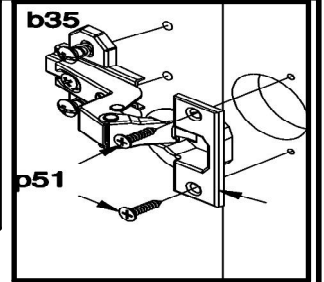


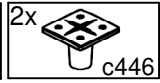
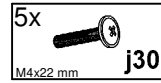
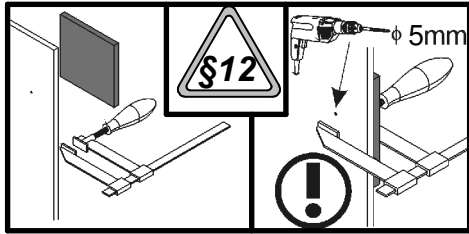


**11**

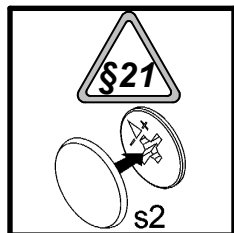
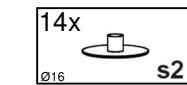
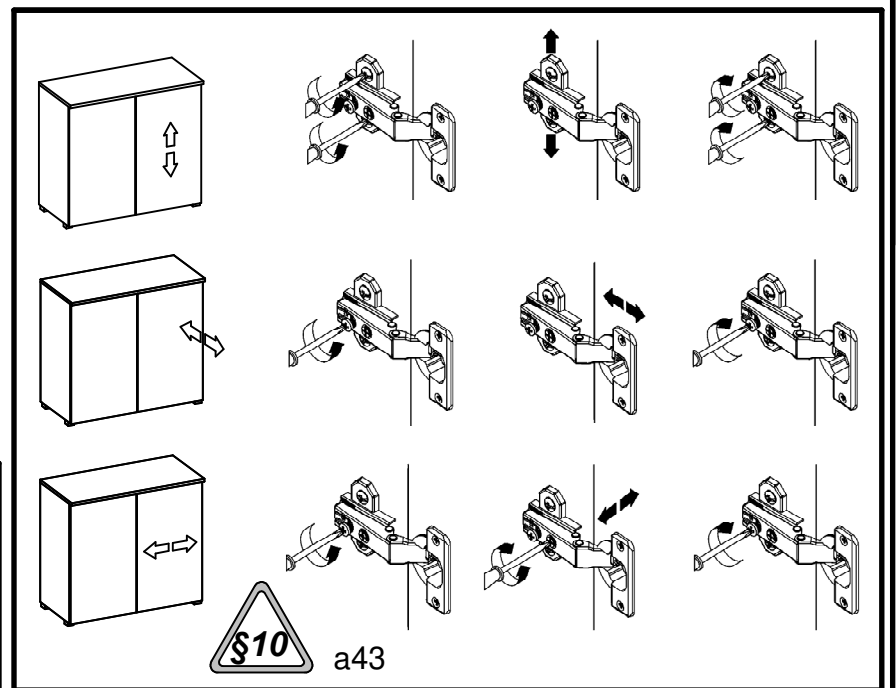
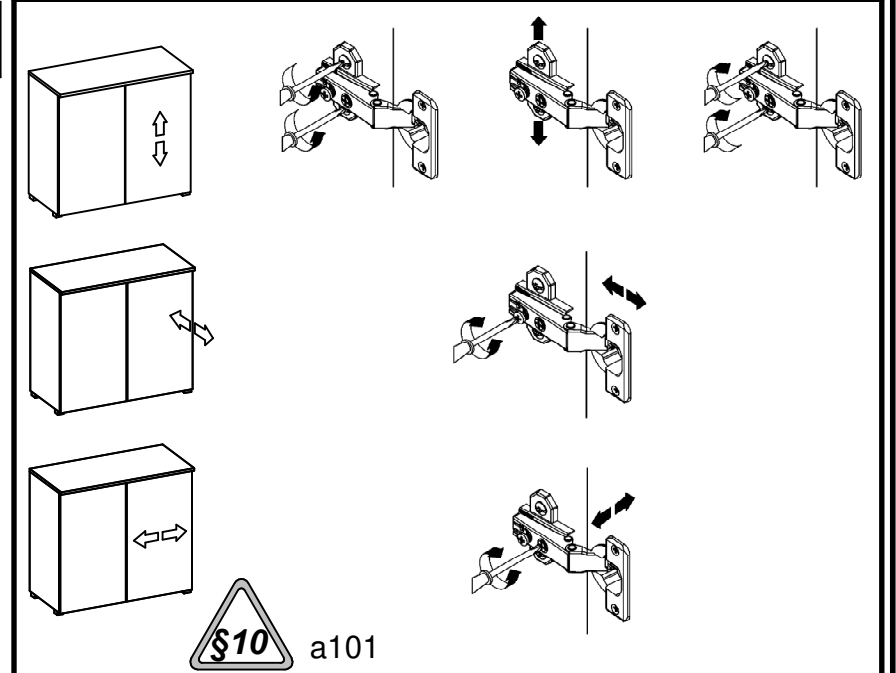
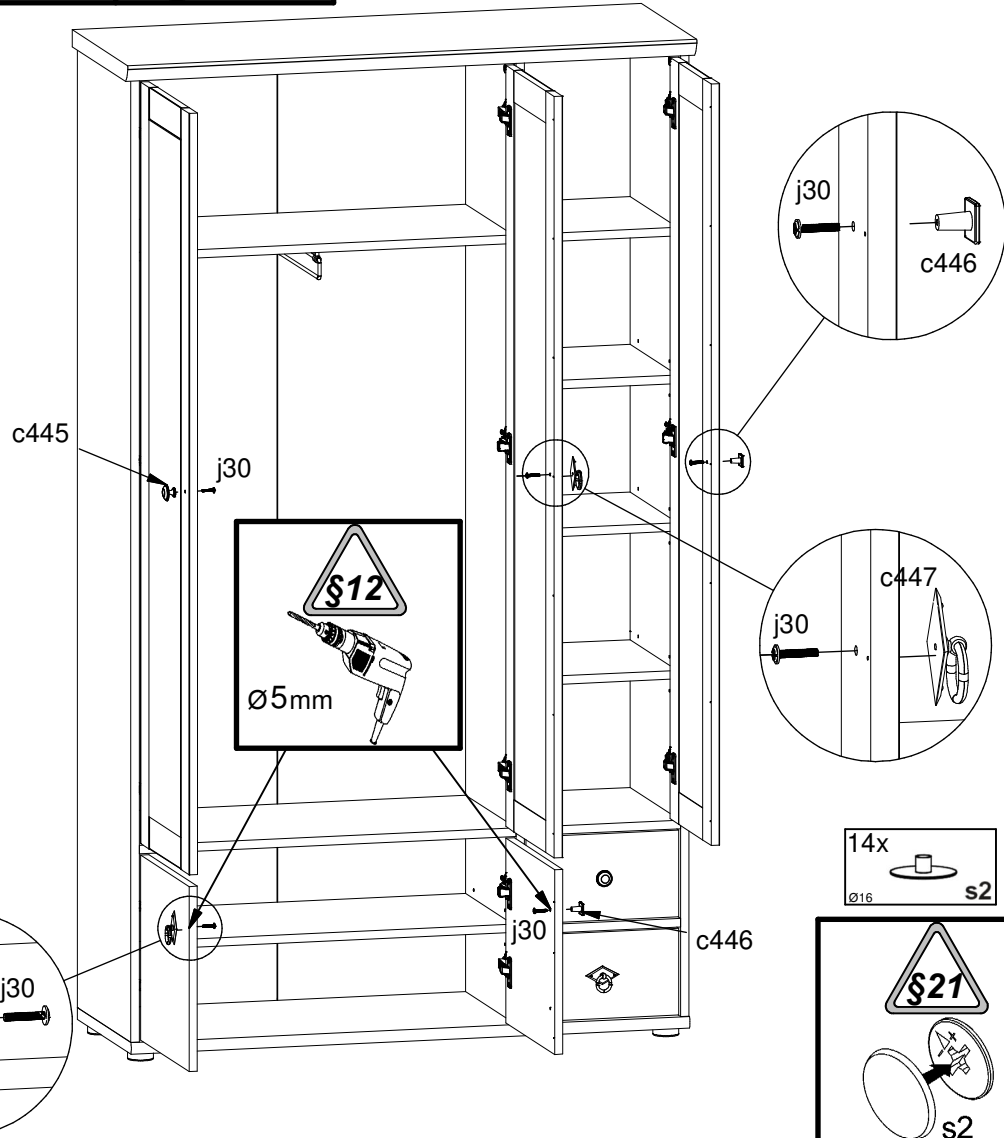


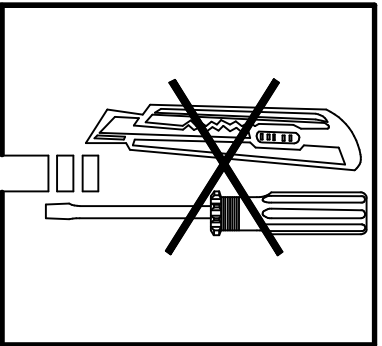
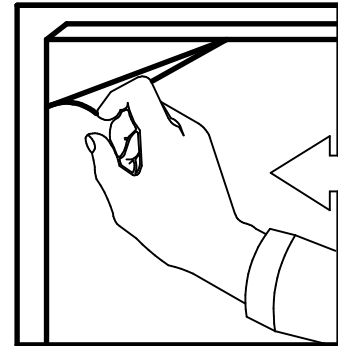
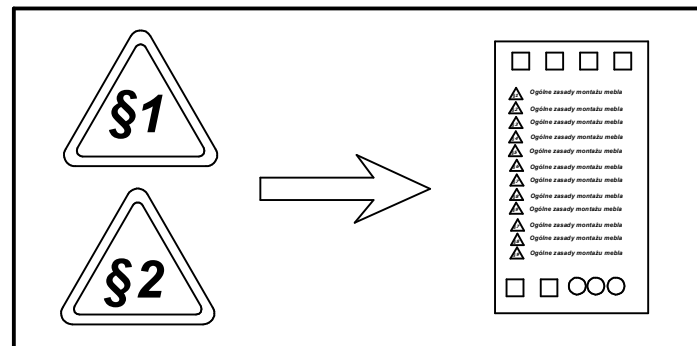
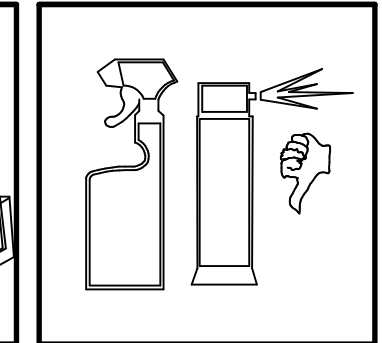
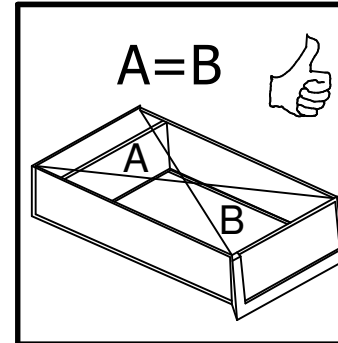
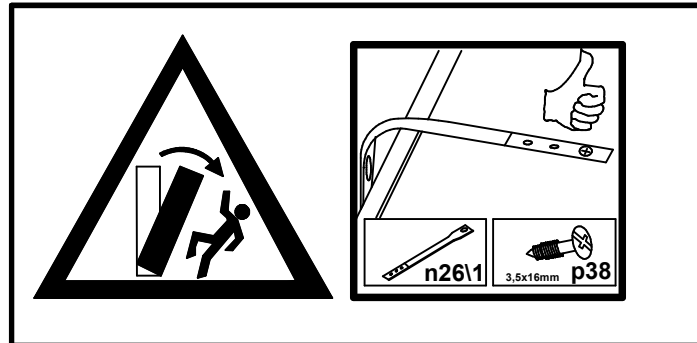
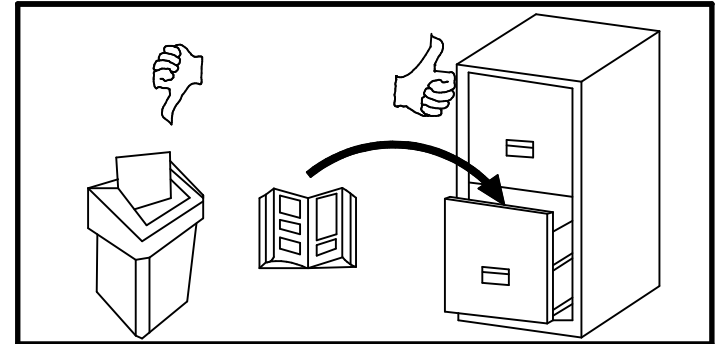
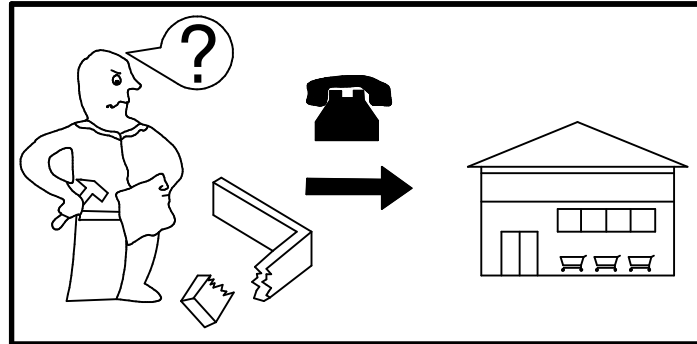
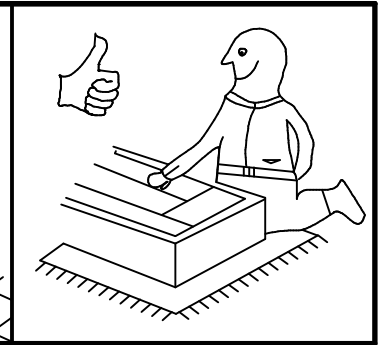
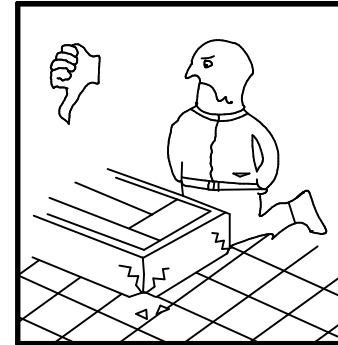
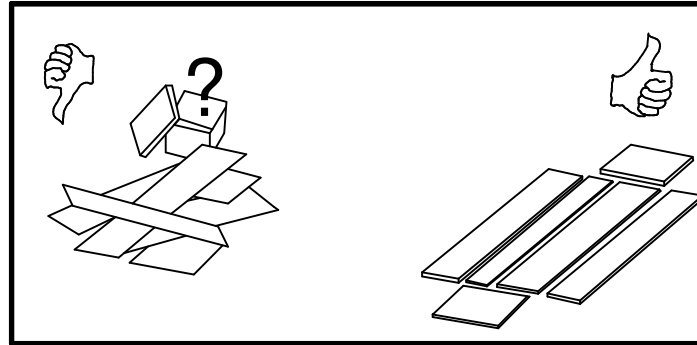
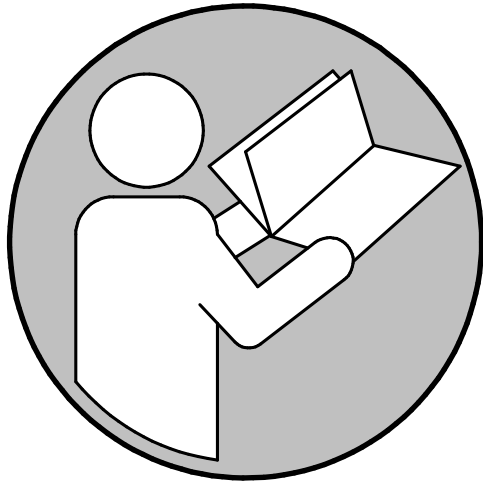
**12**





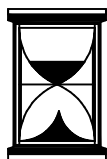
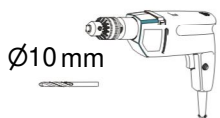
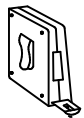
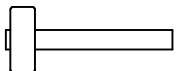
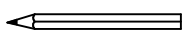
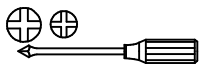
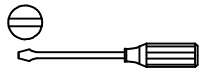
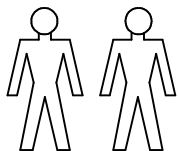
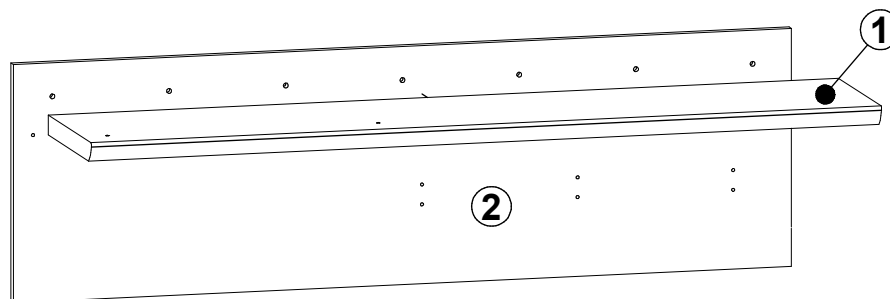
# 13



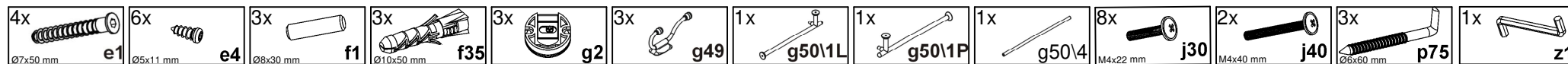
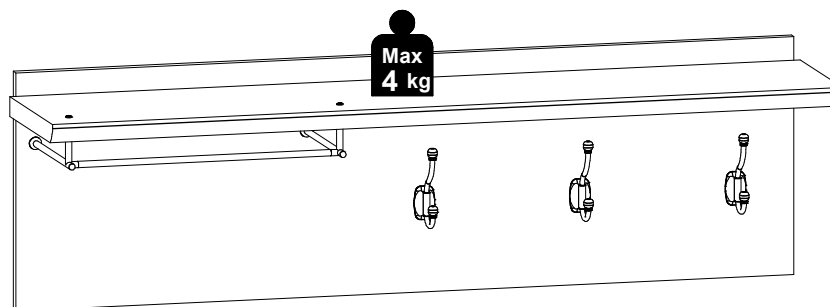


**A****M196-PAN/4/13****3064--40**

2 / 6

**30min**

A	B	C (mm)		D
1	M196-3007	1300	264	1/1
2	M196-4301	1280	384	1/1



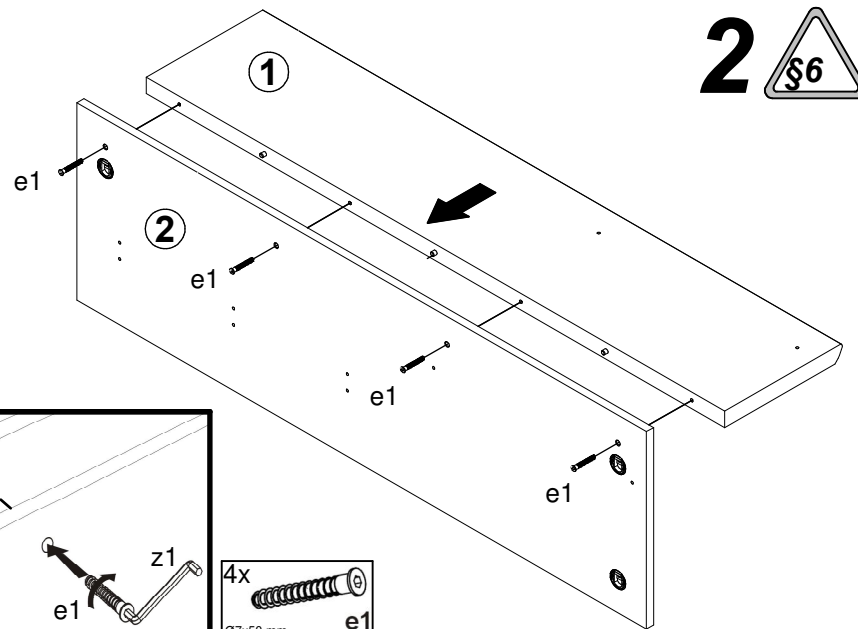
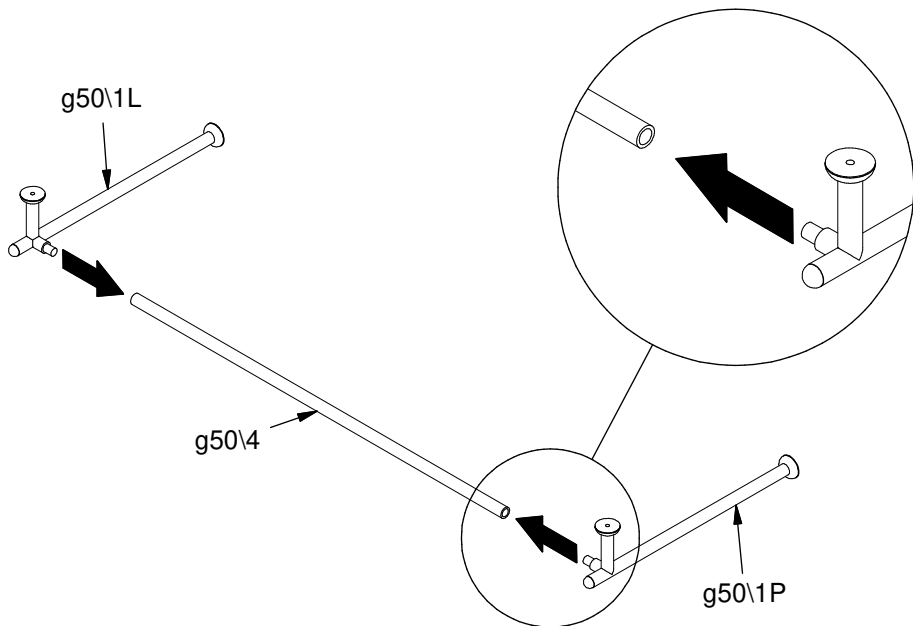
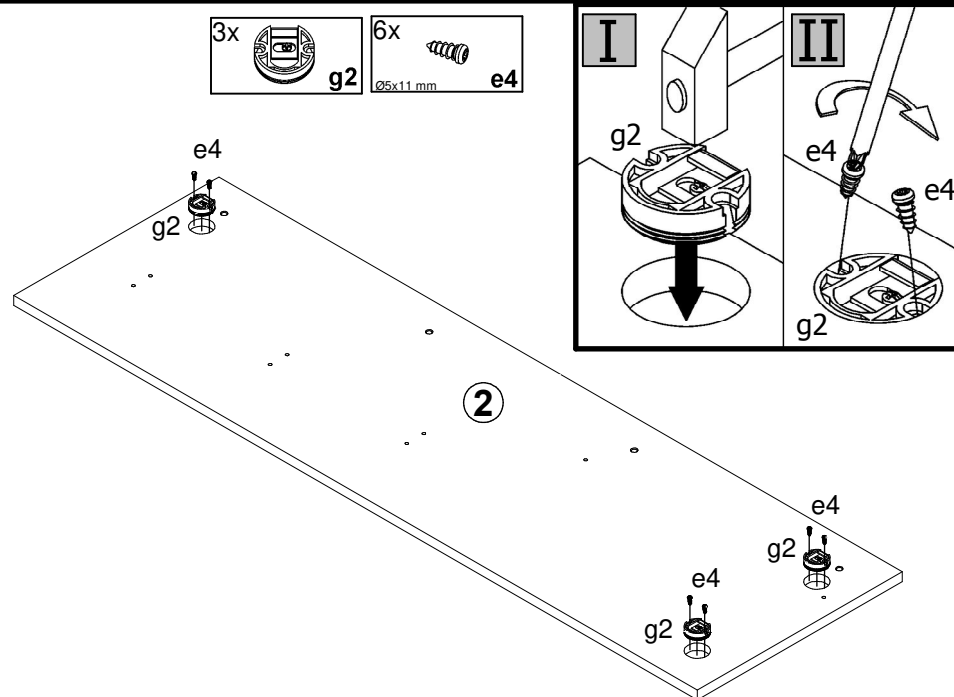
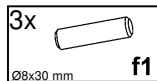
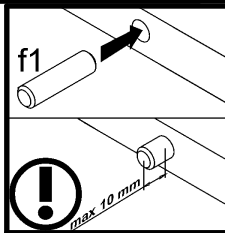
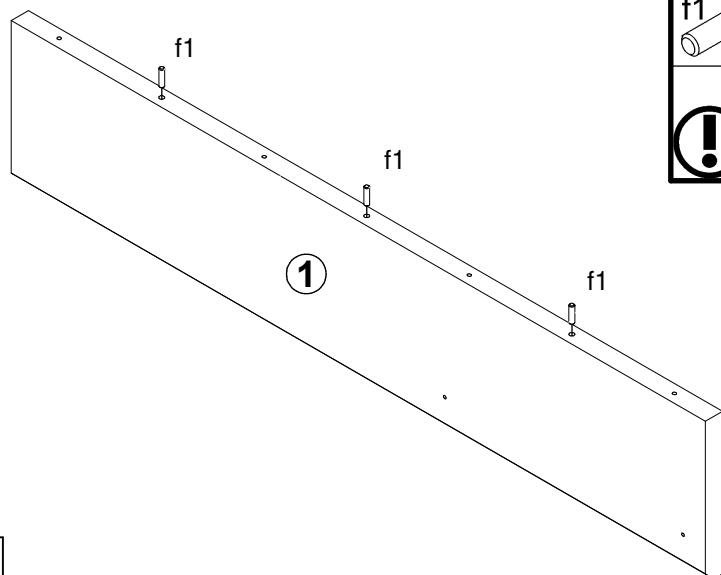
A

M196-PAN/4/13

3064--40

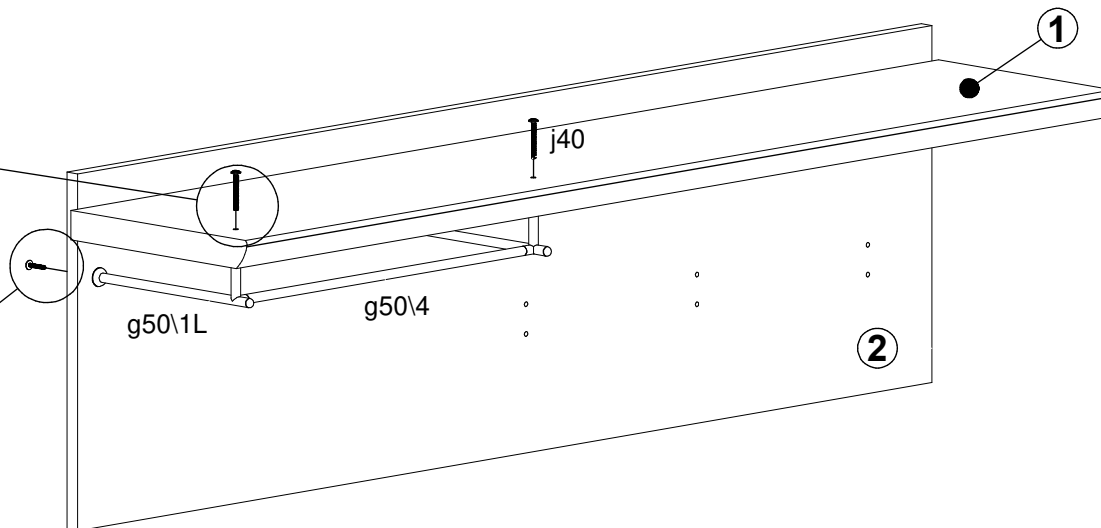
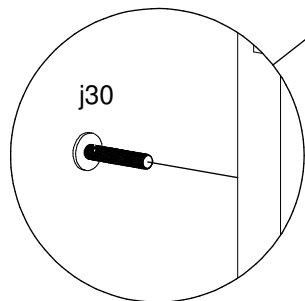
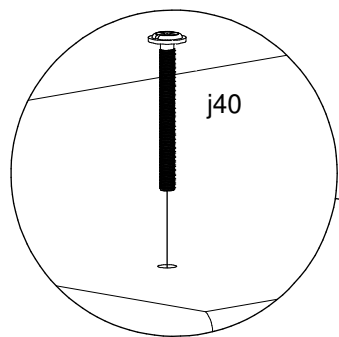
3 / 6

1



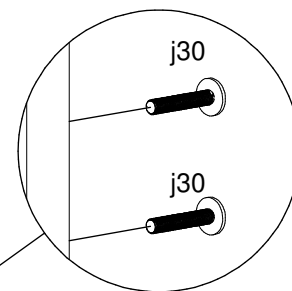
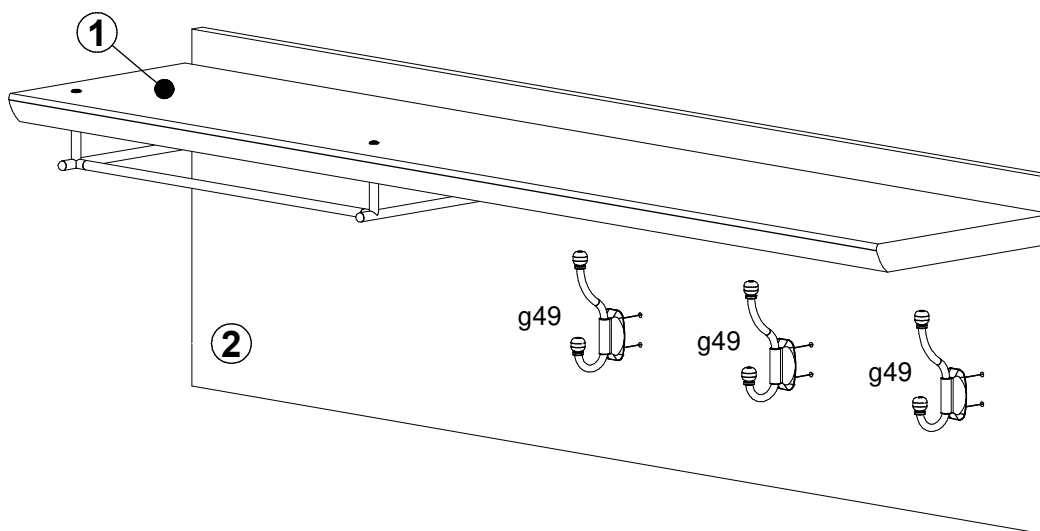


3



- 2x  
M4x40 mm  
**j40**
- 2x  
M4x22 mm  
**j30**
- 1x  
**g50\4**
- 1x  
**g50\1L**
- 1x  
**g50\1P**

4

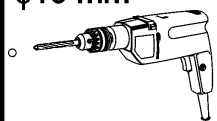


- 6x  
M4x22 mm  
**j30**
- 3x  
**g49**

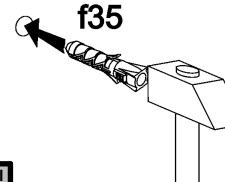
5



φ10 mm

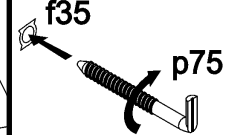


f35



f35

p75

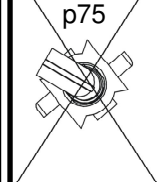


f35

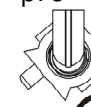
p75



p75



p75



p75

