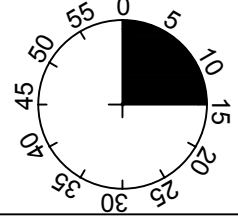
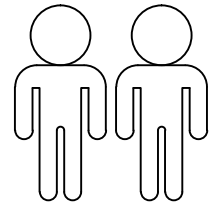
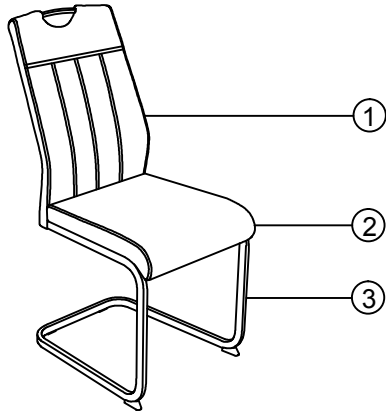


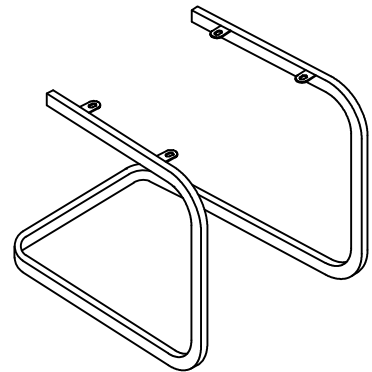
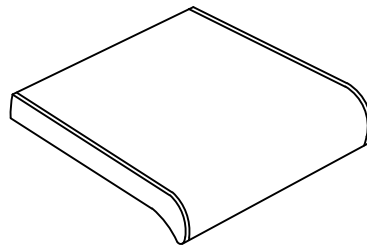
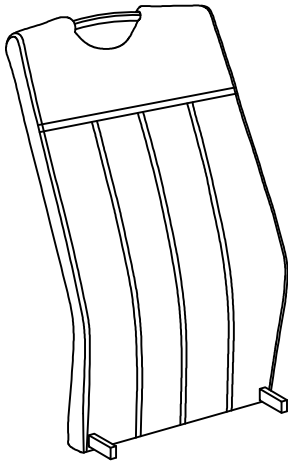
Nicole



1

2

3

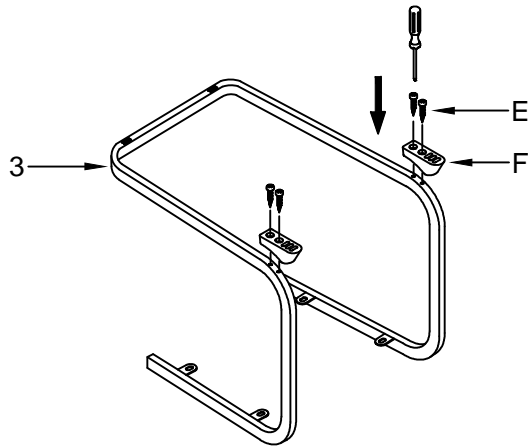





1	1x
2	1x
3	1x

A	M6X20	B	M6X12	C	Ø18xØ6x1.5	D	4MM	E	M4x25	F	
	4x		4x		4x		1x		4x		2x

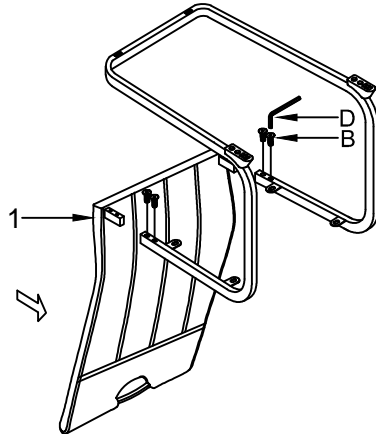
I.




1



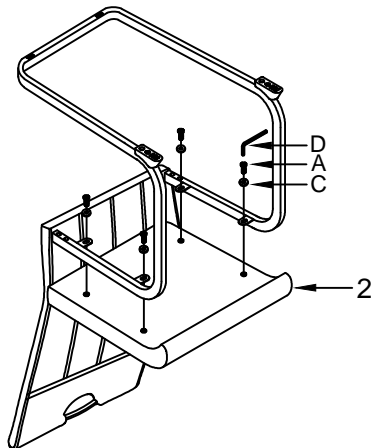
E	M4x25
	4x
F	
	2x
	




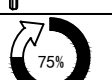
2



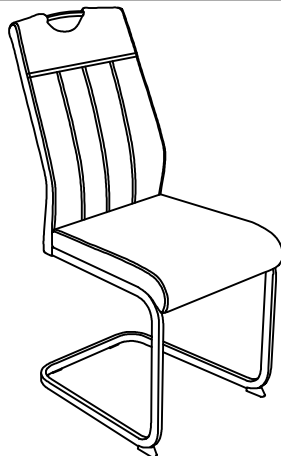
B	M6x12
	4x
D	4MM
	1x
	


3



A	M6X20
	4x
C	Ø18xØ6x1.5
	4x
D	4MM
	1x
	

4



D	4MM
	1x
