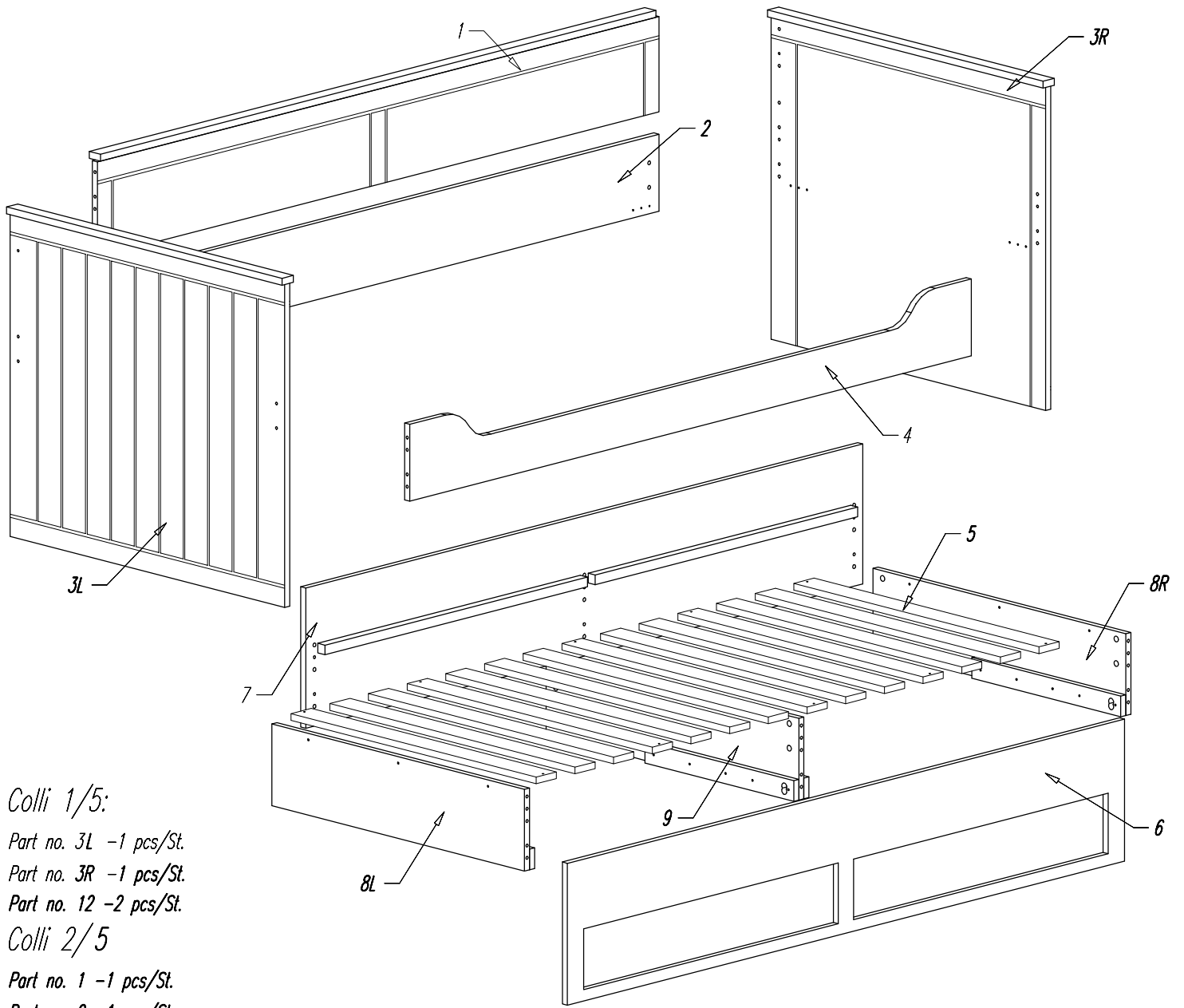


- |  |                              |  |                                |                                |                                |                               |                    |                                |                    |                              |                                |
|--|------------------------------|--|--------------------------------|--------------------------------|--------------------------------|-------------------------------|--------------------|--------------------------------|--------------------|------------------------------|--------------------------------|
| <b>A</b><br><br>Ø7,8x40<br>x41         | <b>B</b><br><br>M6x55<br>x10 | <b>C</b><br><br>x10                        | <b>D</b><br><br>Ø3,5x30<br>x16 | <b>E1</b><br><br>L=34/St<br>x9 | <b>E2</b><br><br>L=34/M5<br>x9 | <b>F</b><br><br>Ø15x15<br>x18 | <b>G</b><br><br>x4 | <b>H</b><br><br>Ø3,5x20<br>x12 | <b>I</b><br><br>x6 | <b>J</b><br><br>Ø7x50<br>x16 | <b>K</b><br><br>Ø3,5x30<br>x10 |
| <b>L</b><br><br>EURO<br>Ø5,8x11<br>x20 | <b>M</b><br><br>Ø3x13<br>x20 | <b>N</b><br><br>N1<br>N2<br>N3<br>N4<br>x2 |                                |                                | <b>O</b><br><br>Ø3,5x35<br>x10 | <b>P</b><br><br>Ø4x16<br>x24  | <b>R</b><br><br>x4 | <b>K</b><br><br>x1             |                    |                              |                                |

Tools required  
Outillage nécessaire  
Werkzeuge



*Colli 1/5:*

*Part no. 3L -1 pcs/St.*

*Part no. 3R -1 pcs/St.*

*Part no. 12 -2 pcs/St.*

*Colli 2/5*

*Part no. 1 -1 pcs/St.*

*Part no. 2 -1 pcs/St.*

*Part no. 4 -1 pcs/St.*

*Colli 3/5*

*Part no. 6 -1 pcs/St.*

*Part no. 7 -1 pcs/St.*

*Part no. 11 -4 pcs/St.*

*Part no. 13 -2 pcs/St.*

*Part no. 14 -2 pcs/St.*

*Colli 4/5*

*Part no. 8L -1 pcs/St.*

*Part no. 8R -1 pcs/St.*

*Part no. 9 -1 pcs/St.*

*Part no. 10 -2 pcs/St.*

*Part no. 15 -2 pcs/St.*

*Fittings/Beschlage*

*Assembly instruction/Montageanleitung*

*Colli 5/5*

*Part no. 5 -1 pcs/St.*

