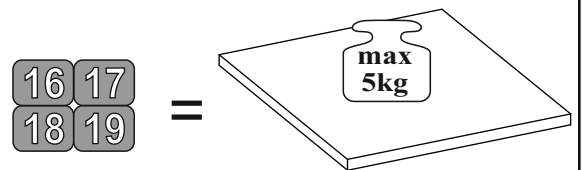
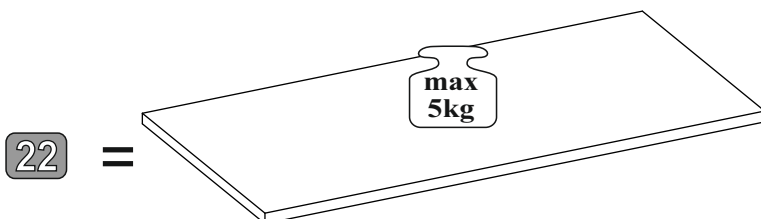
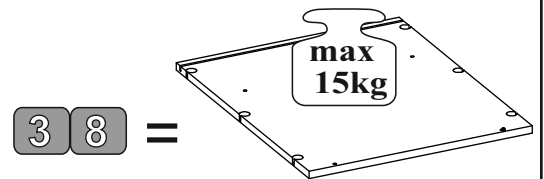
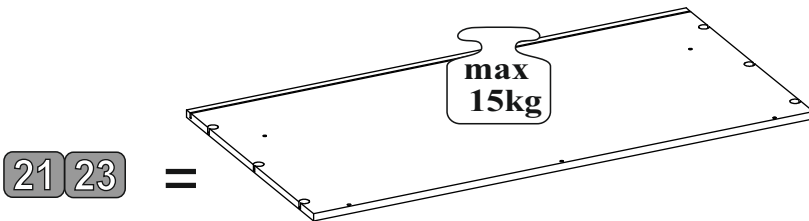
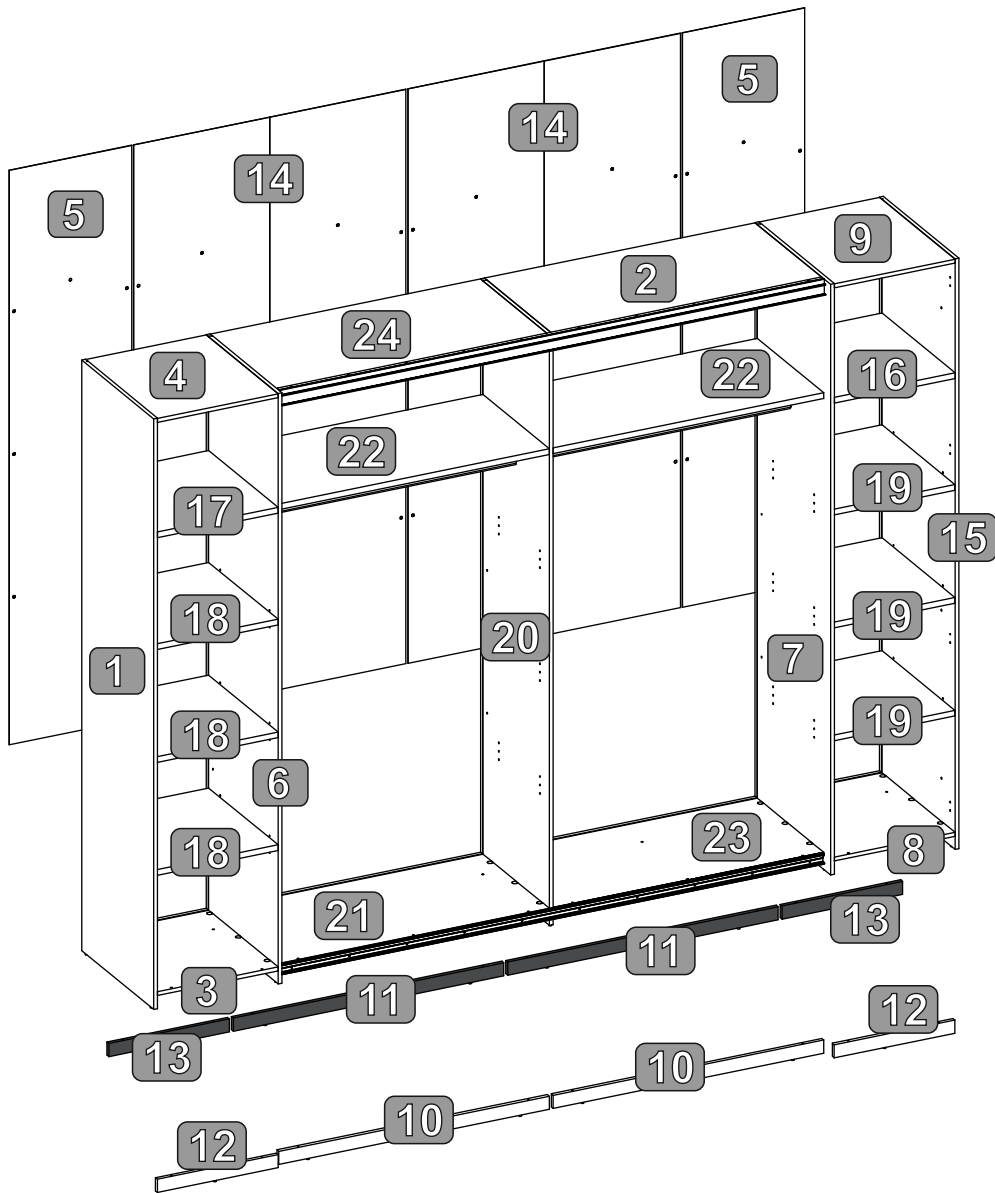
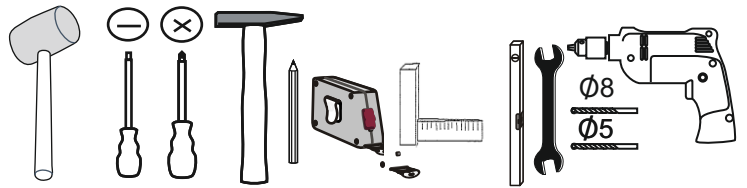
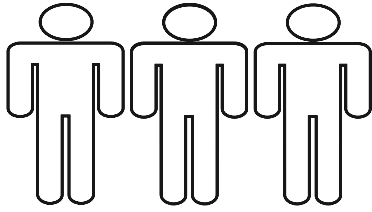

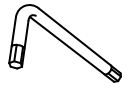
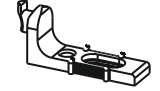


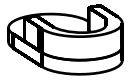


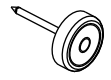


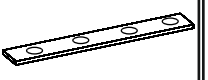
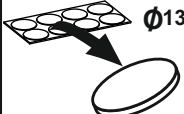

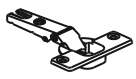
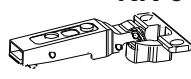
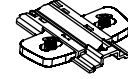







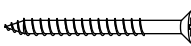


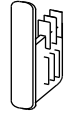

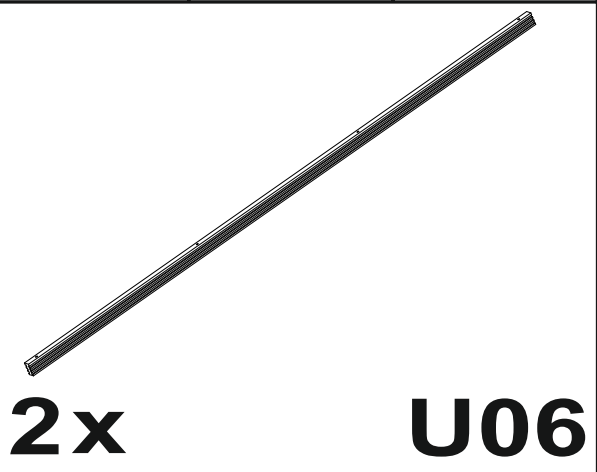


NR	DIM	QTE	COLLI
1	2250x560x15	1	1/8
2	827,5x535x15	1	1/8
3	469,5x560x15	1	1/8
4	469,5x560x15	1	1/8
5	2188x476x2	2	1/8
6	2250x560x15	1	1/8
7	2250x588x15	1	2/8
8	469,5x588x15	1	2/8
9	469,5x588x15	1	2/8
10	827,5x50x15	2	2/8
11	827,5x50x15	2	2/8
12	469,5x50x15	2	2/8
13	469,5x50x15	2	2/8
14	2188x834x2	2	2/8
15	2250x588x15	1	2/8
16	469,5x569x22	1	3/8
17	469,5x541x22	1	3/8
18	469,5x540x22	3	3/8
19	469,5x568x22	3	3/8
20	2249x535x15	1	3/8
21	827,5x535x15	1	4/8
22	827,5x516x22	2	4/8
23	827,5x535x15	1	4/8
24	827,5x535x15	1	4/8
25	2200x496x15	1	6/8
26	2200x496x15	1	6/8
27	850x550x15	4	7/8;8/8
28	850x550x15	4	7/8;8/8

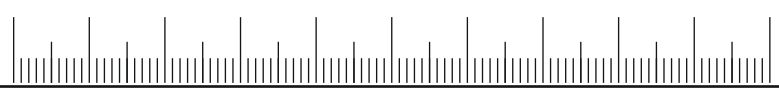


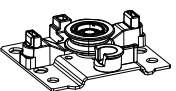
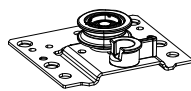


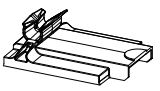
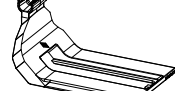
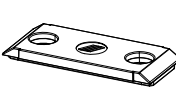
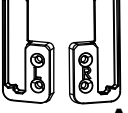
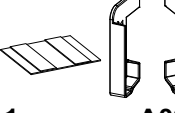
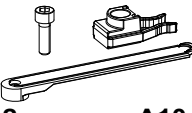



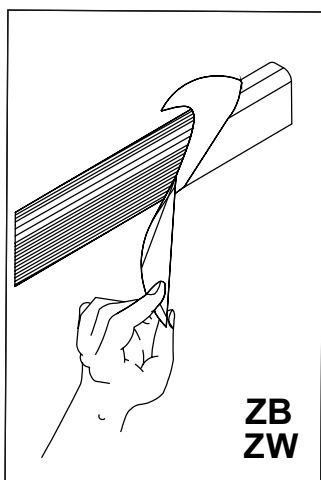
 48x T05	 48x T04	 5x40 20x W16	 L3 1x K02	 30x R02	 4x13 2x W07	 44x R01
 4x E03	 3,5x13 136x W02	 6x11 24x W12	 22x S01	 3,5x13 8x W09	 L-823 2x J01	 18x W08
 Ø13 20x C02	 4x Z04	 KR-0 4x Z02	 KR-0 4x Z22	 4x Z21	 24x E01	 3,5x16 16x W30
 4x25 8x W05	 24x E09	 6,3x9,5 30x W20	 6x8 24x W10	 2x F01	 2x F11	 2x F13
 3x Sz1	 H-37 6x ZA2	 Z5 1x K03				



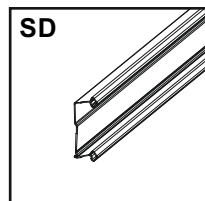
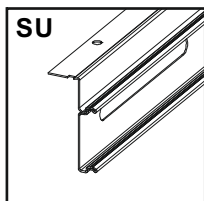
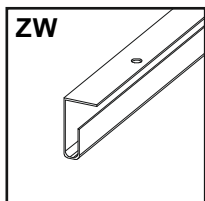
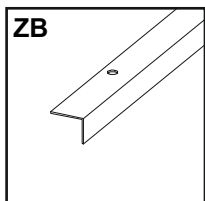
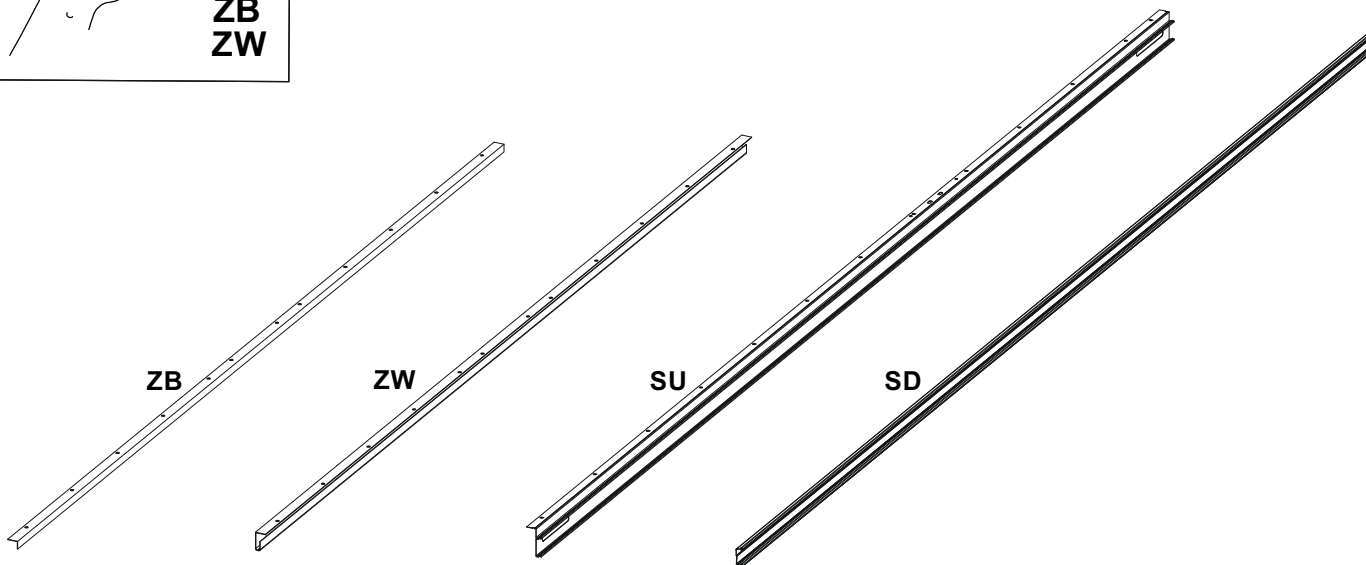
0 10 20 30 40 50 60 70 80 90 100



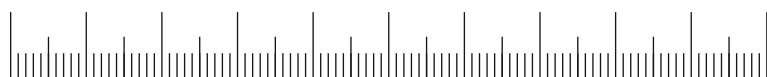
 1x A01	 1x A02	 1x A03	 1x A04	 2x A05	 2x A06	 4x A07
 1x A08	 1x A09	 2x A10	 4x W30			



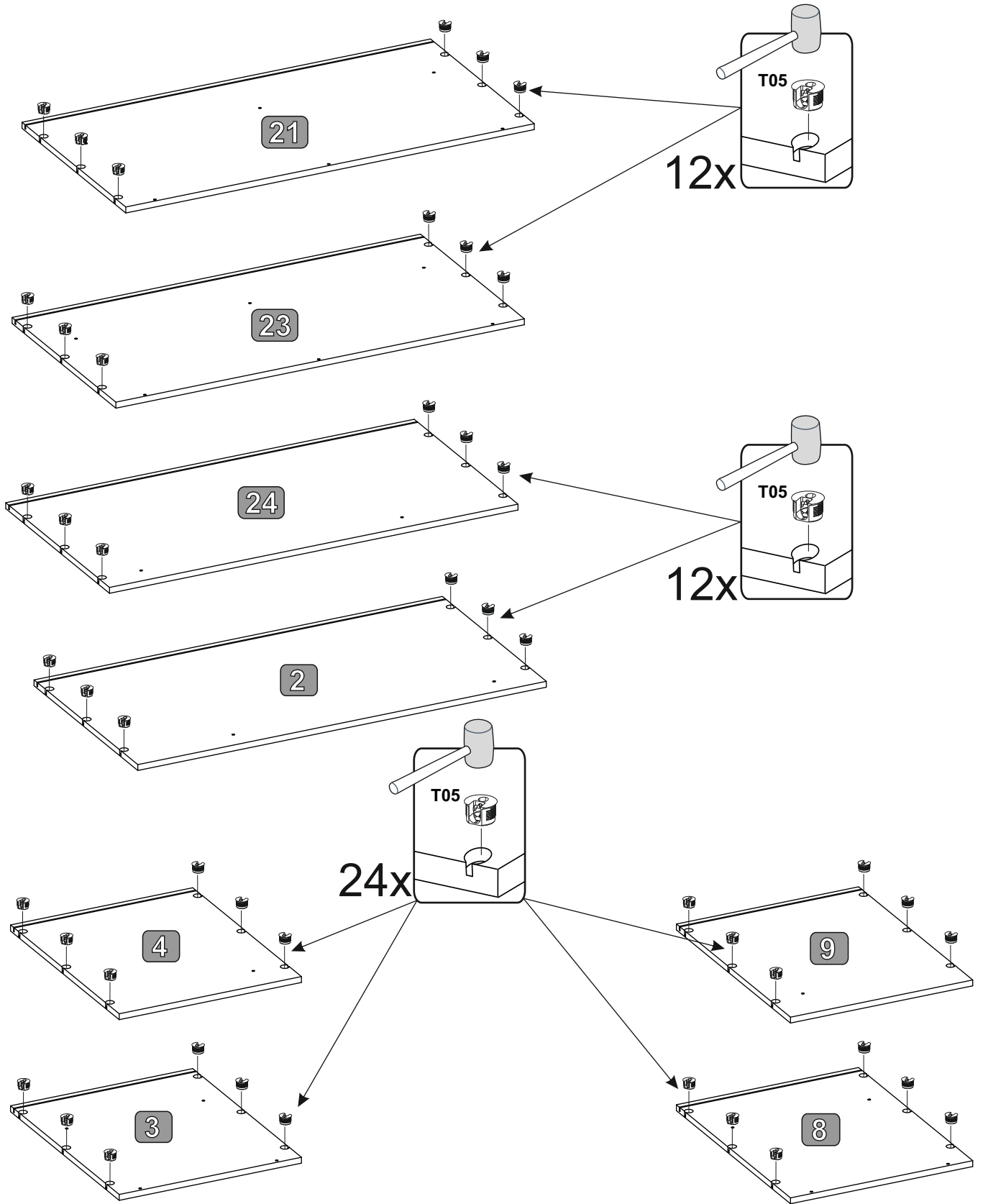
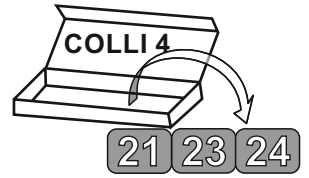
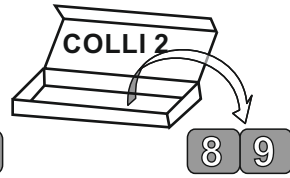
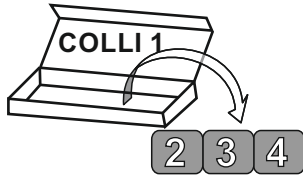
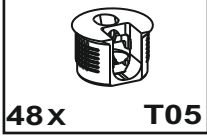
NR	DIM	QTE	COLLI
ZB	L-2200	1	5/8
ZW	L-2200 H-37	3	5/8
SU	L-1668	1	5/8
SD	L-1664	1	5/8



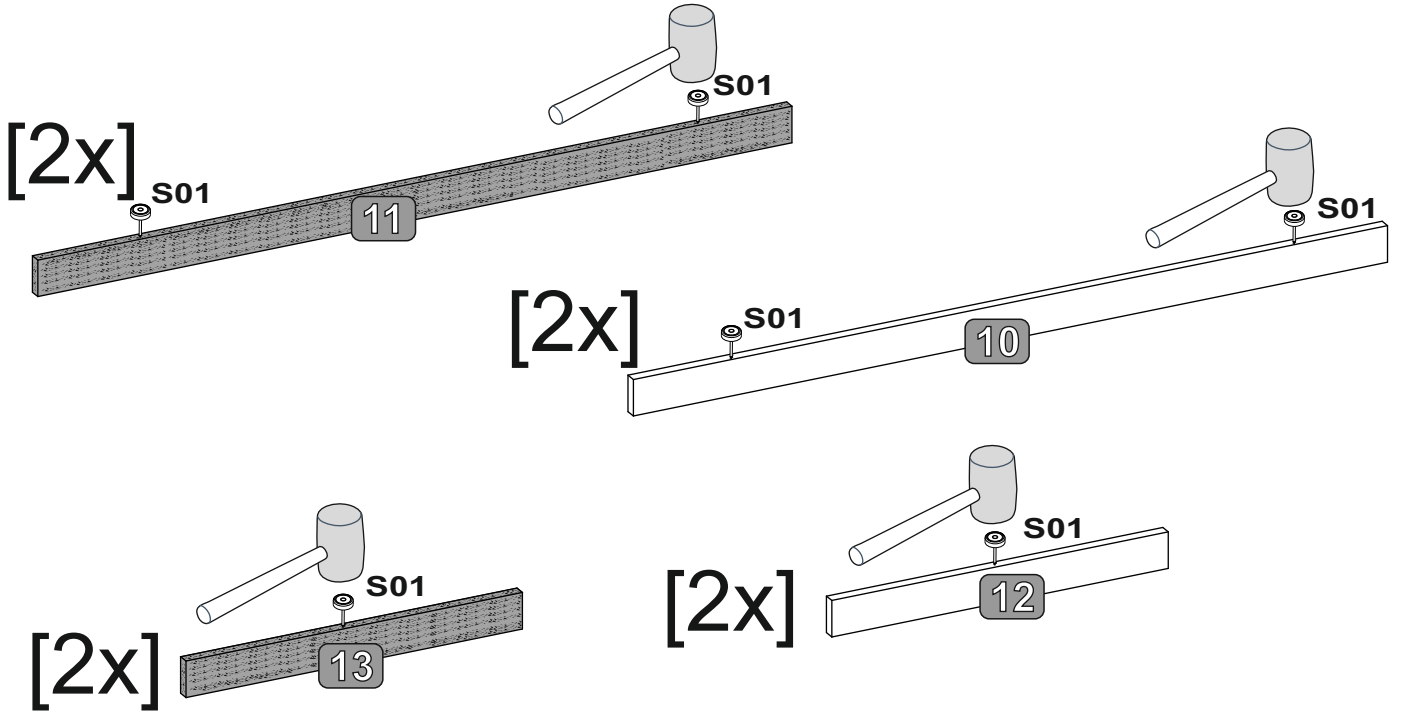
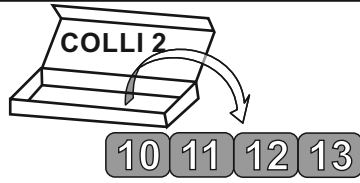
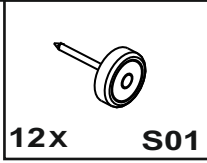
0 10 20 30 40 50 60 70 80 90 100



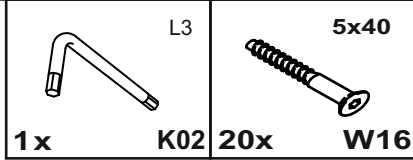
1



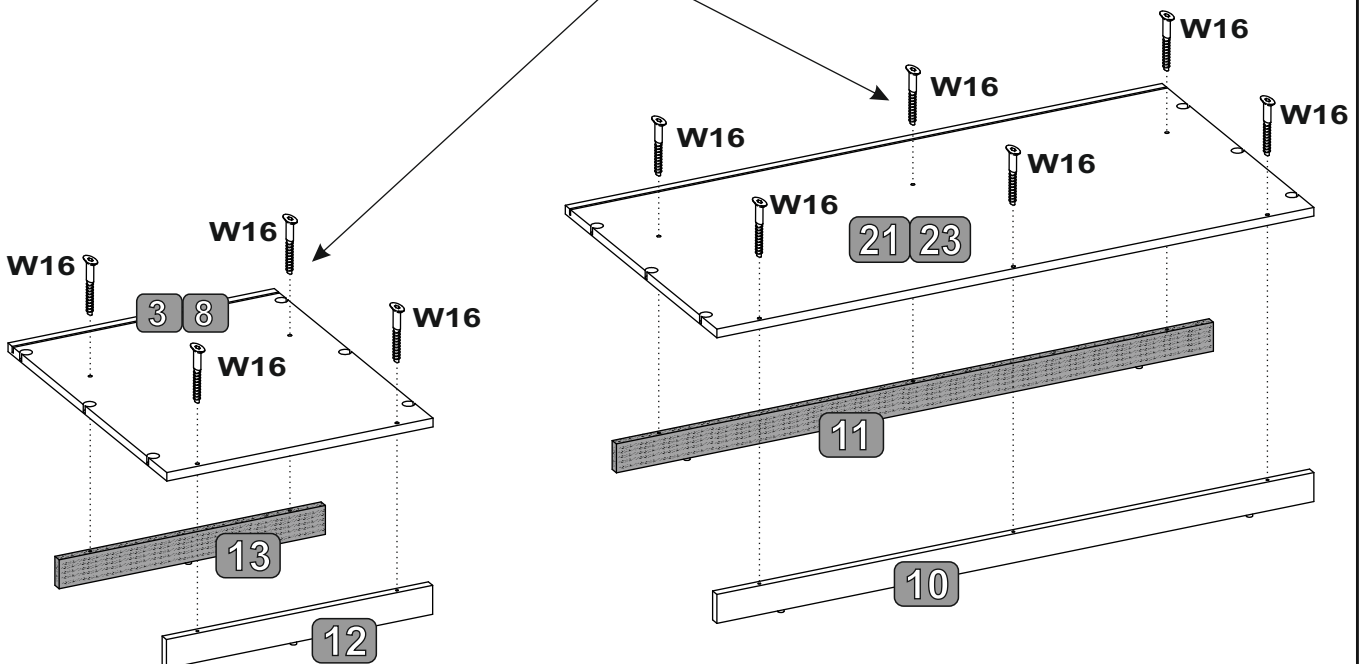
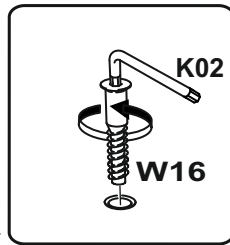
2



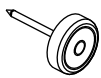




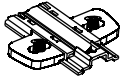
3

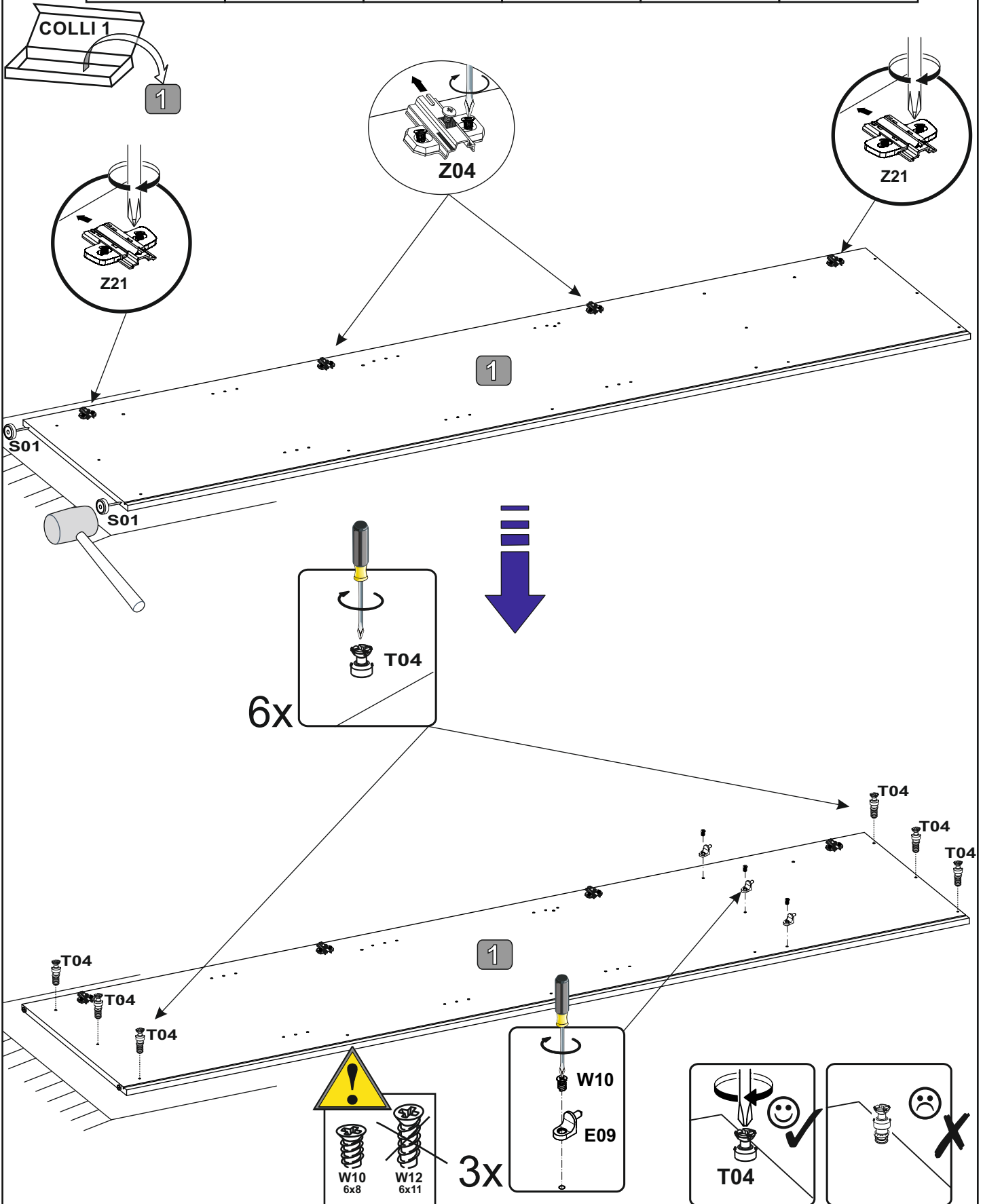


20x



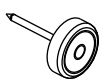
4

2x		S01	6x		T04	3 x		E09	3x		W10	2x		Z04	2x		Z21
----	---	-----	----	---	-----	-----	---	-----	----	---	-----	----	---	-----	----	---	-----



5

2x



S01

12x



T04

1x



E03

2x

3,5x13



W02

6x



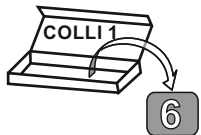
E09

6x

6x8

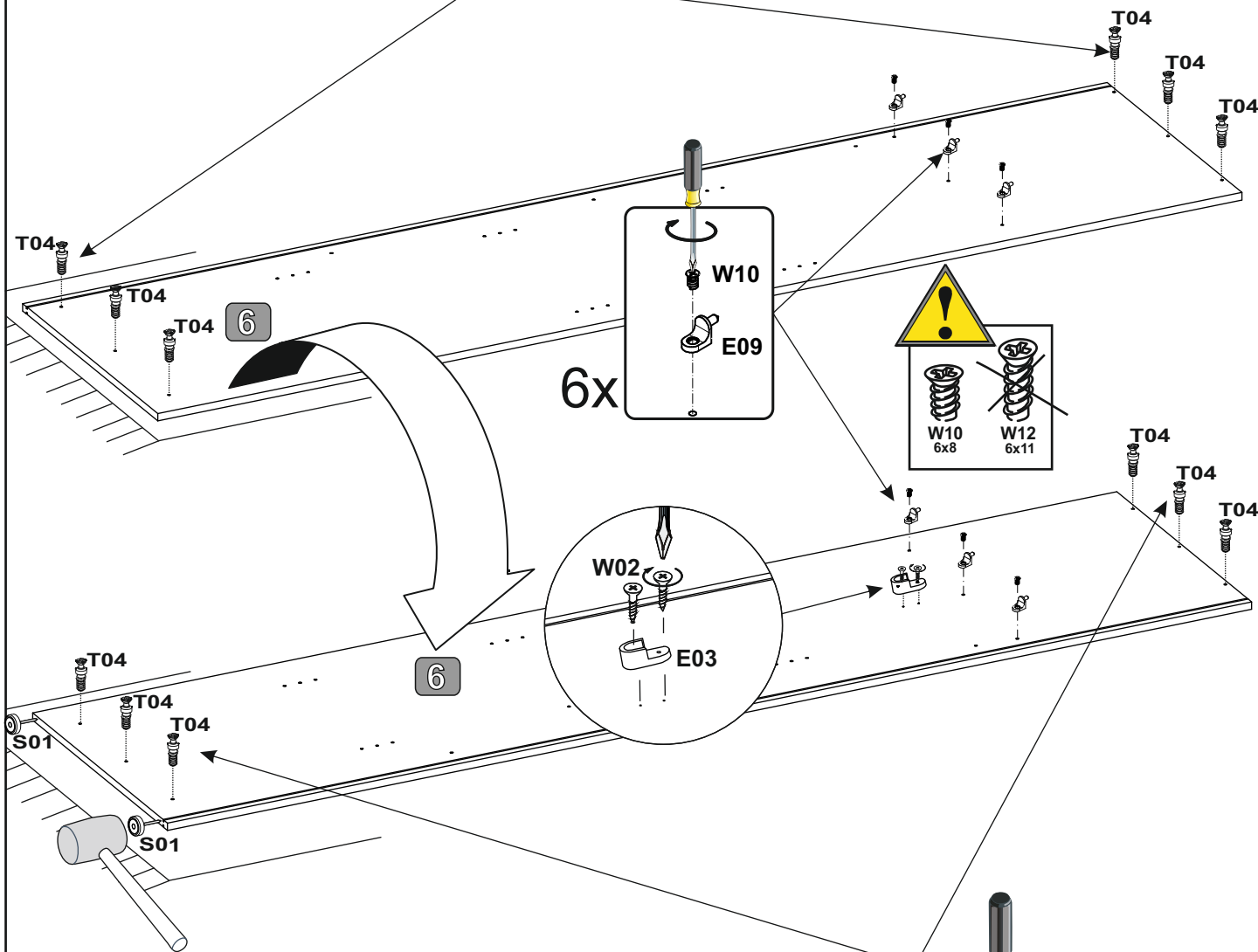
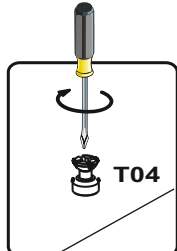


W10

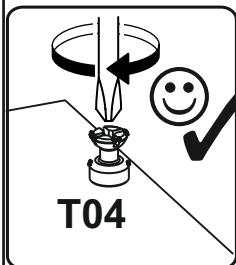
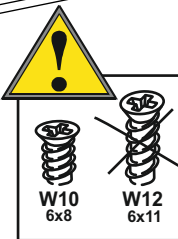
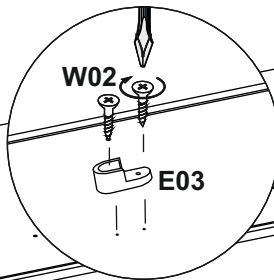


6

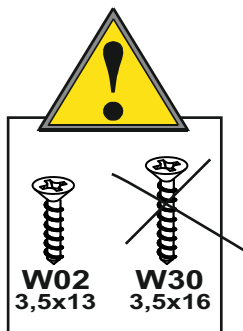
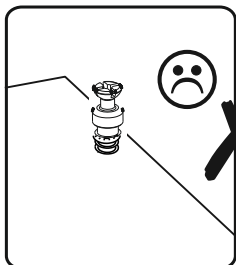
6x



6x



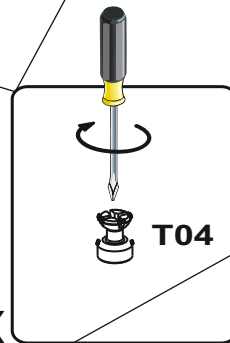
T04



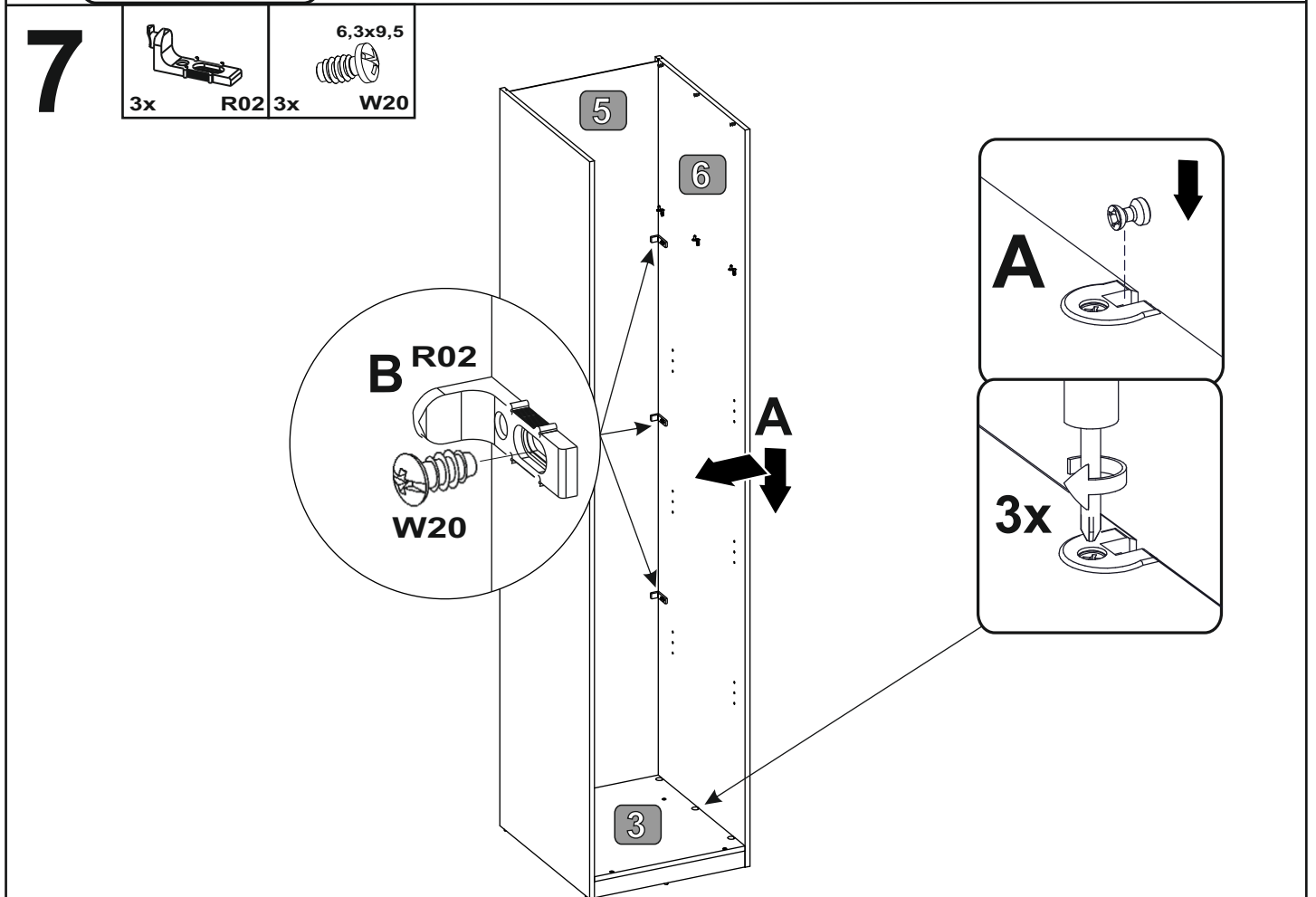
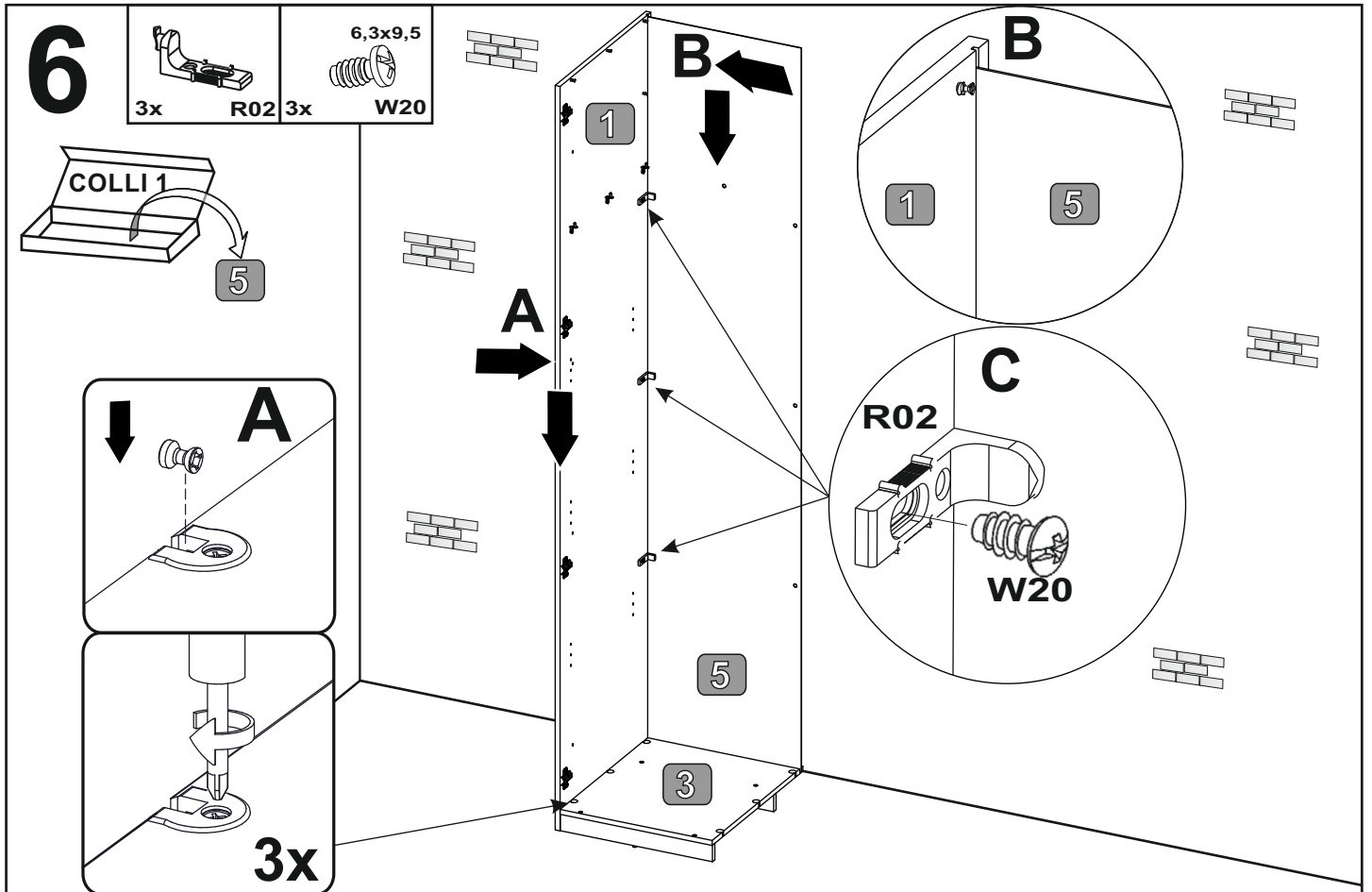
W02
3,5x13

W30
3,5x16

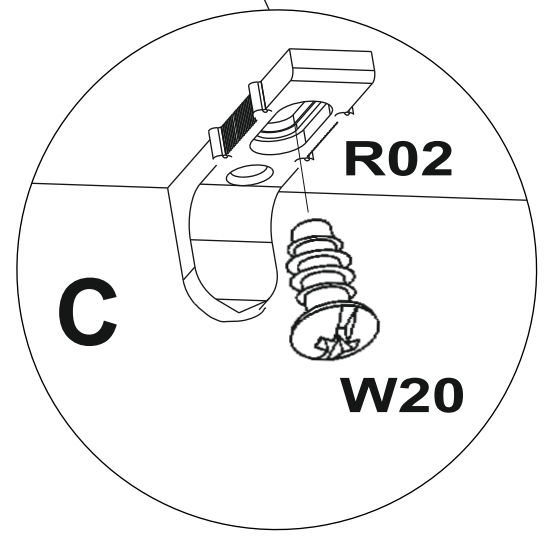
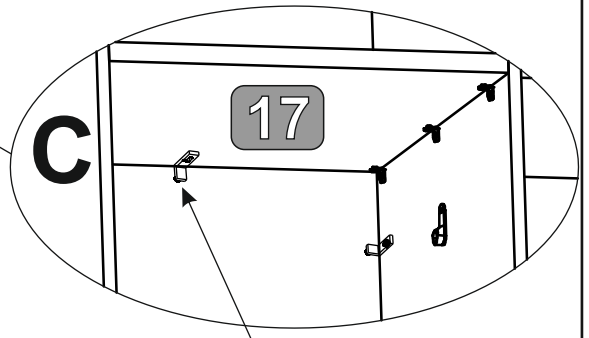
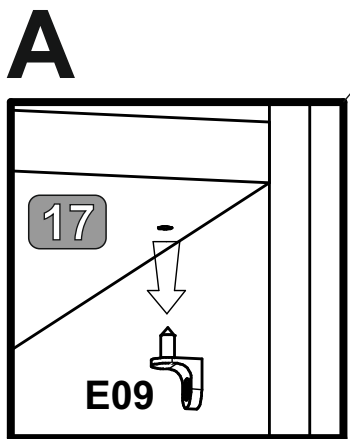
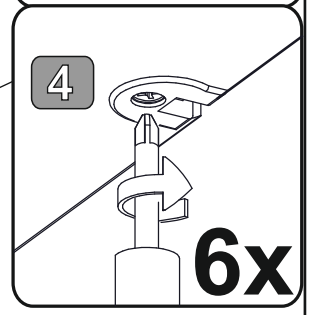
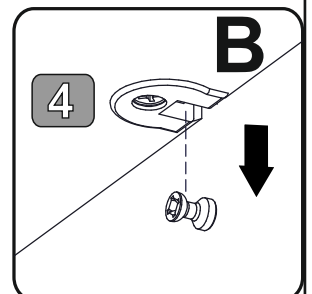
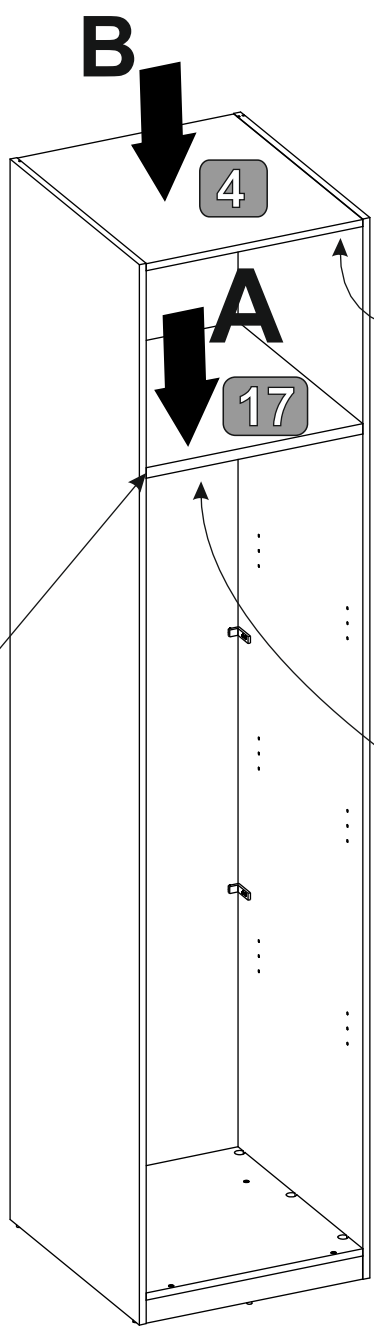
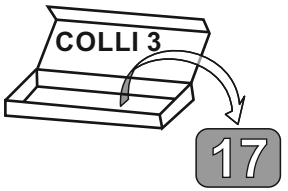
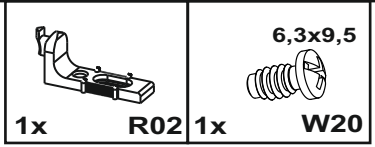
6x









T04

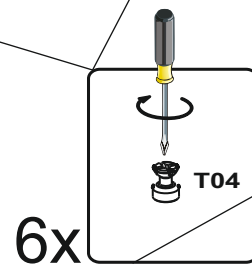
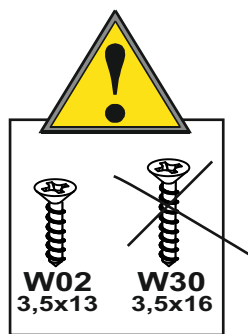
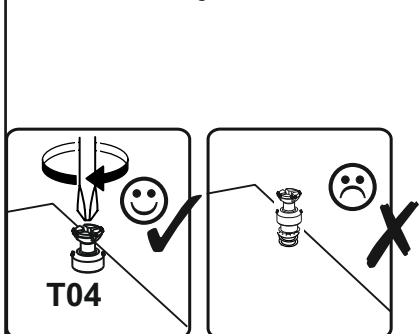
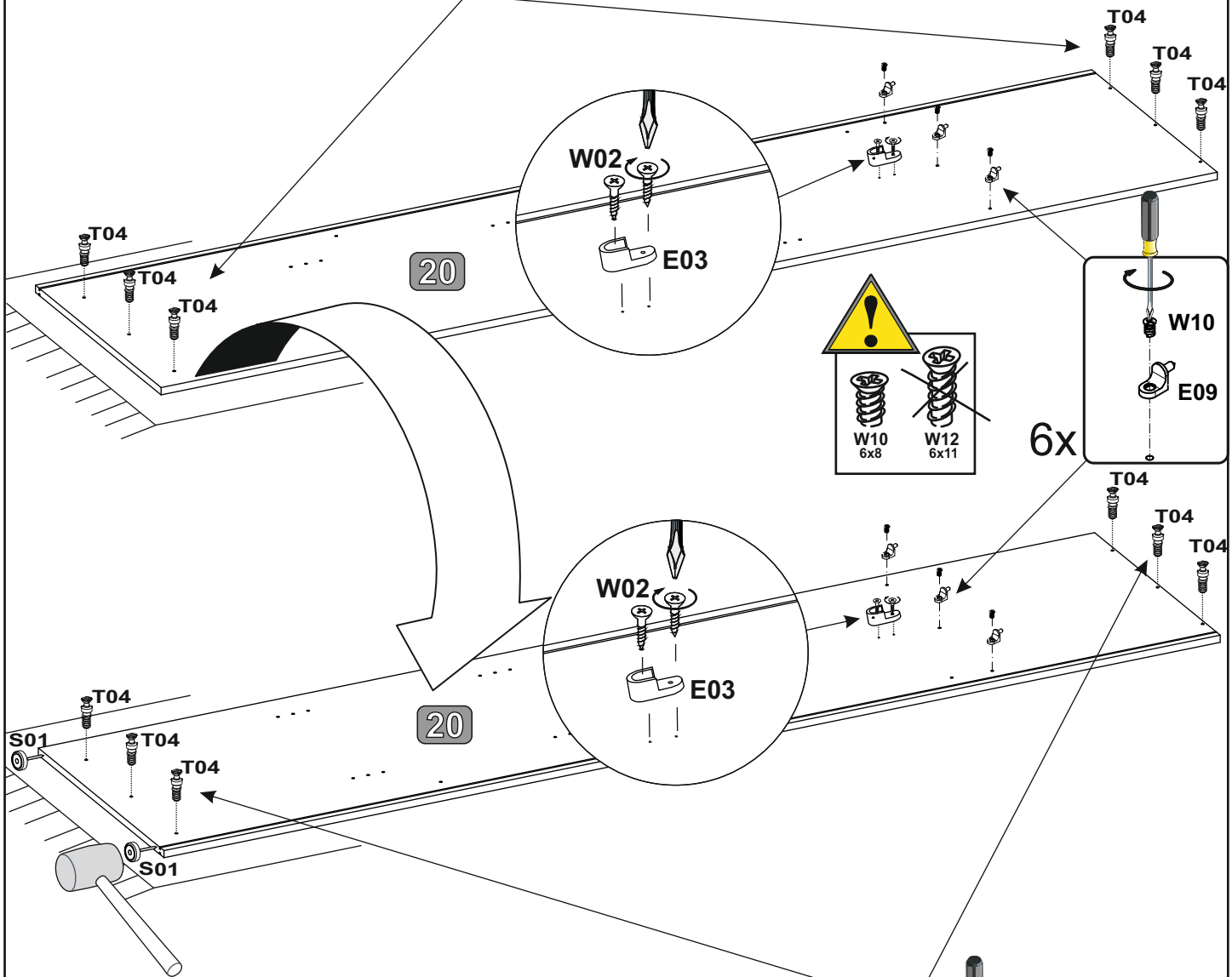
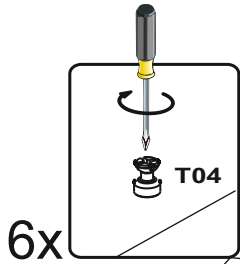
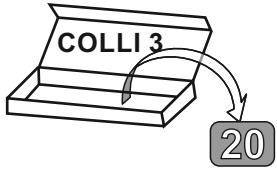


8









9

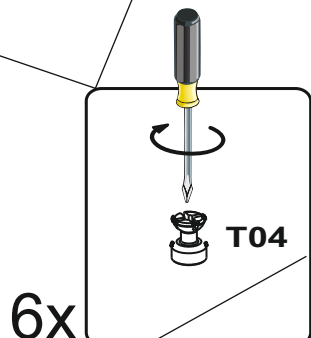
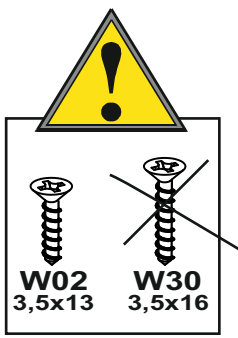
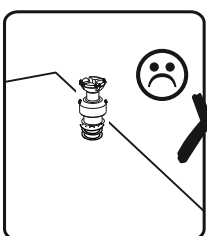
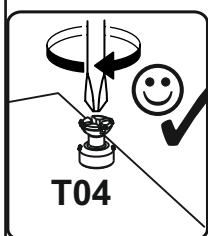
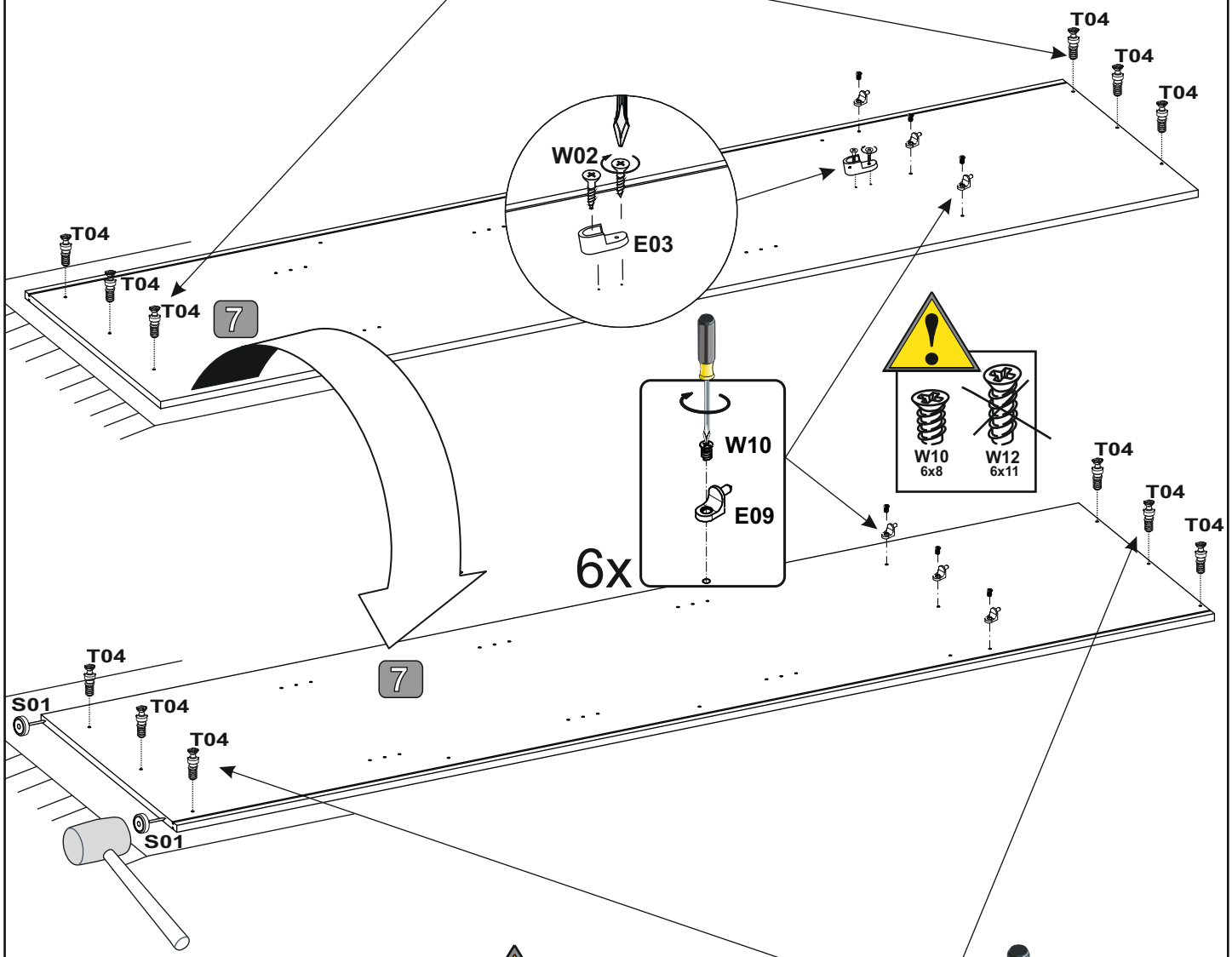
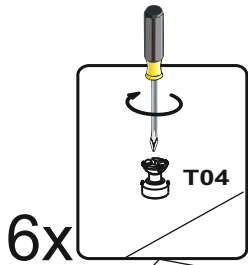
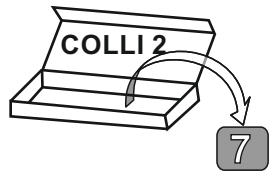
					
2x S01	12x T04	2x E03	4x W02	6x E09	6x W10




6x

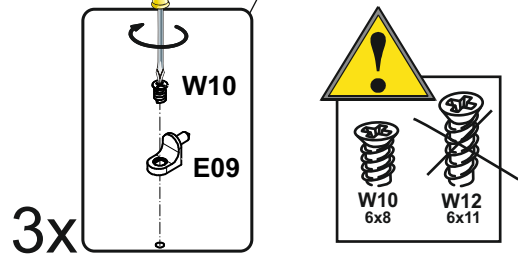
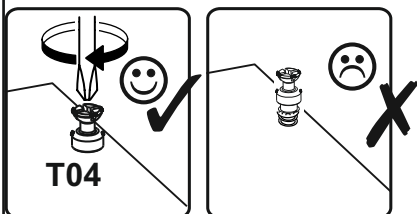
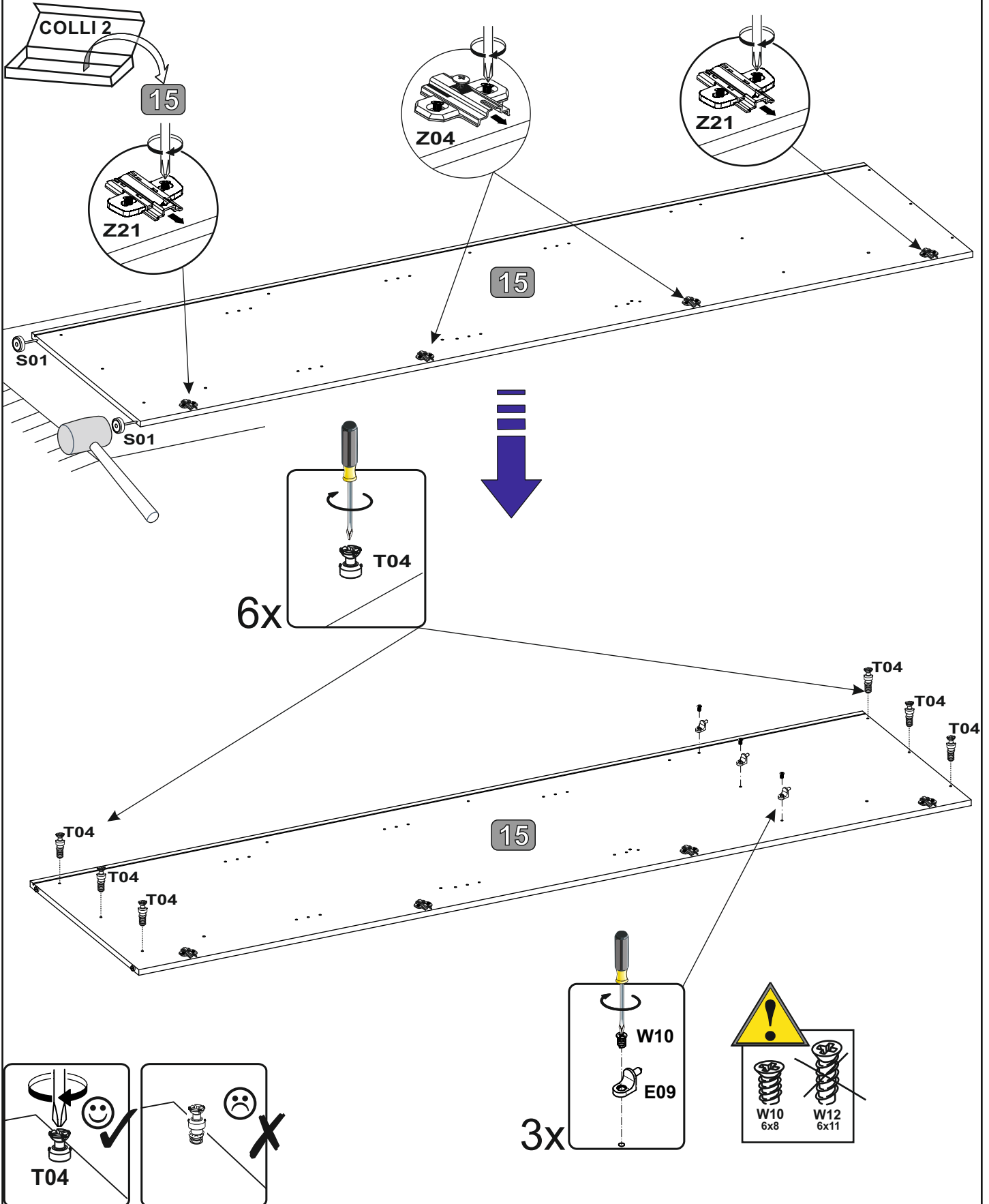
10

2x		12x		1x		2x		6x		6x	
	S01		T04		E03		W02		E09		W10

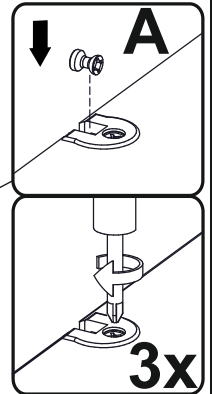
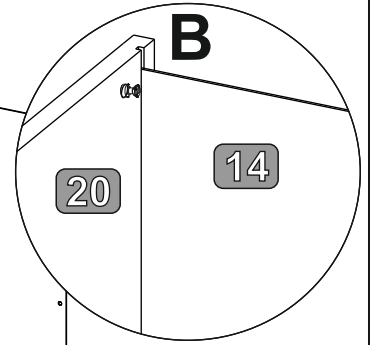
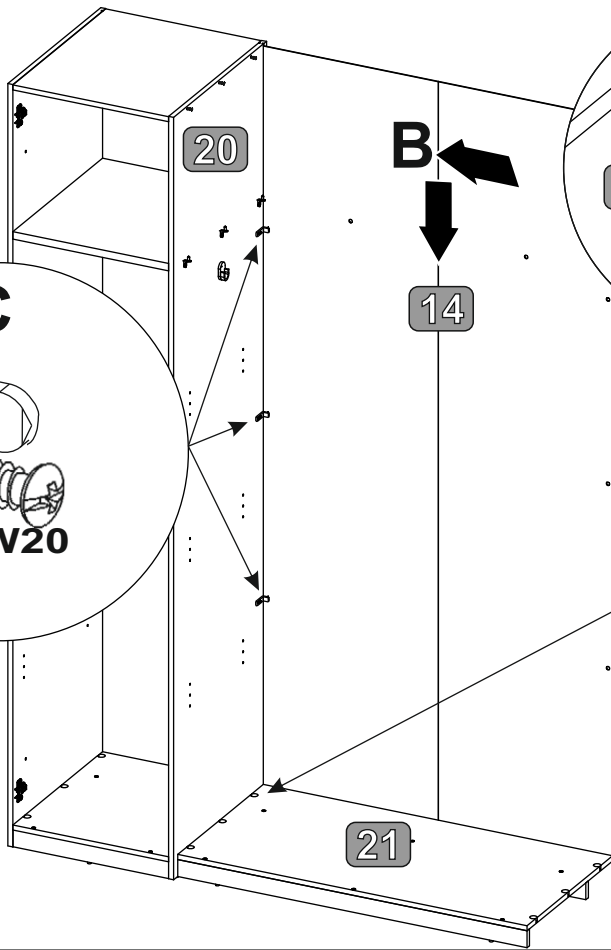
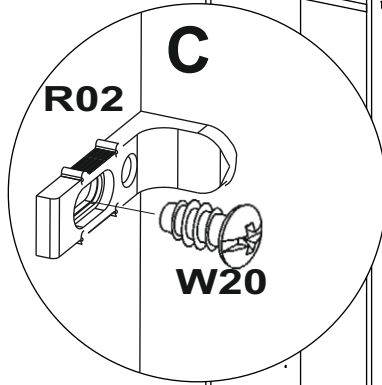
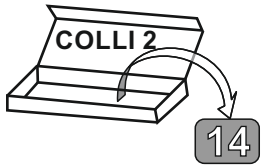
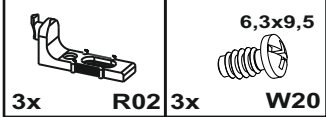


11

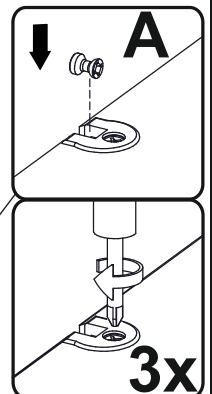
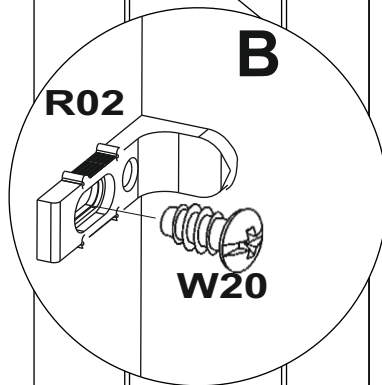
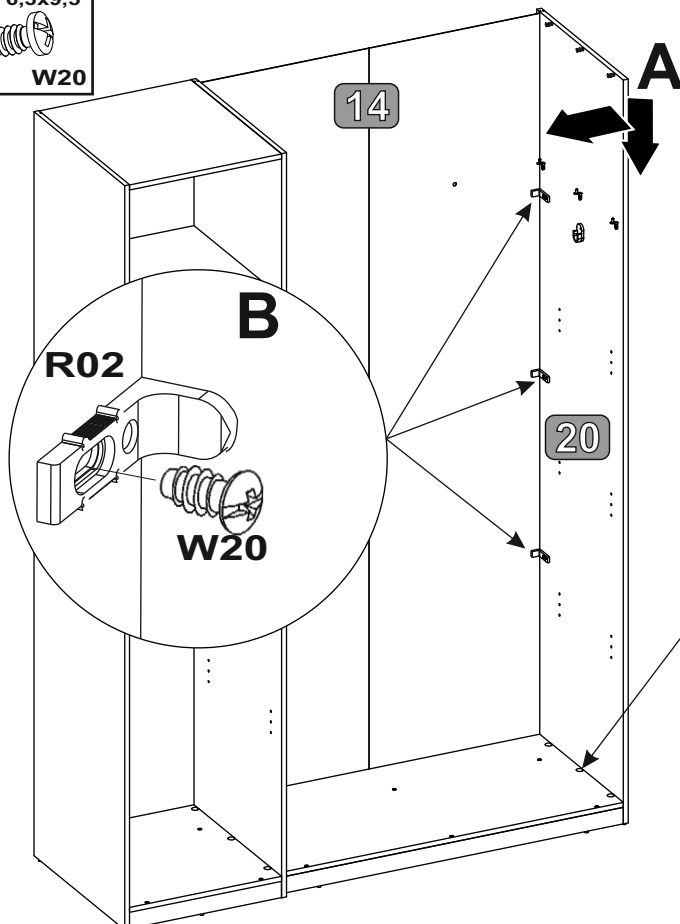
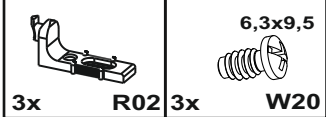
					
2x S01	6x T04	3 x E09	3x W10	2x Z04	2x Z21



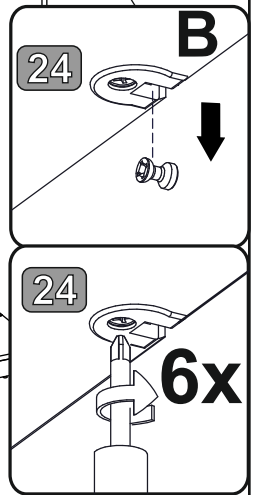
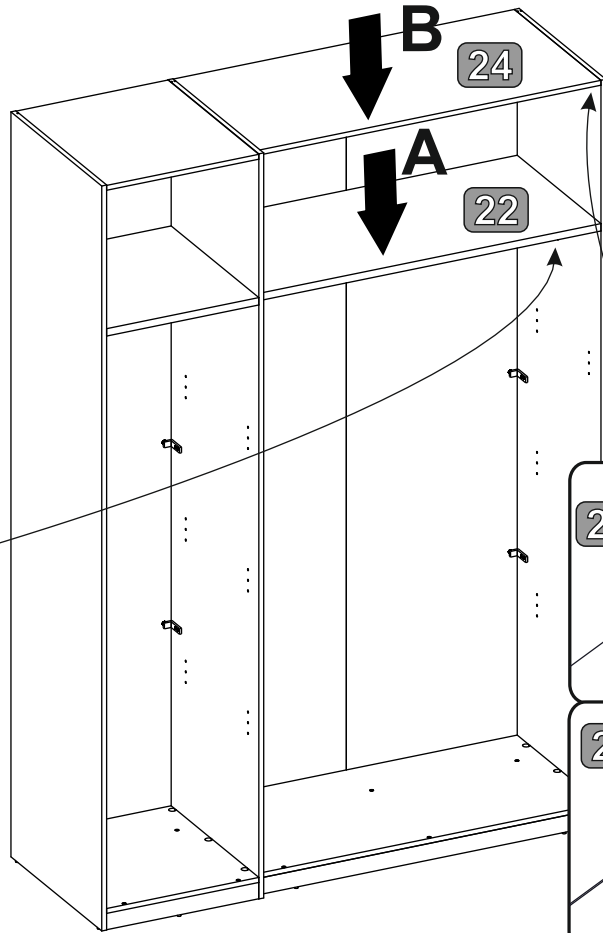
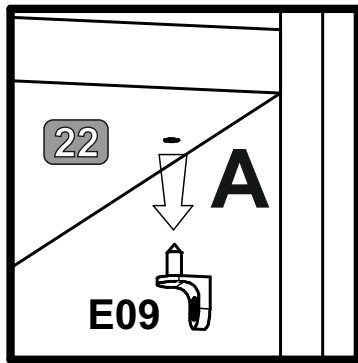
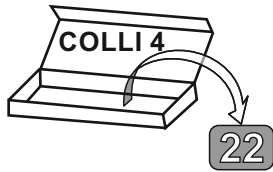
12



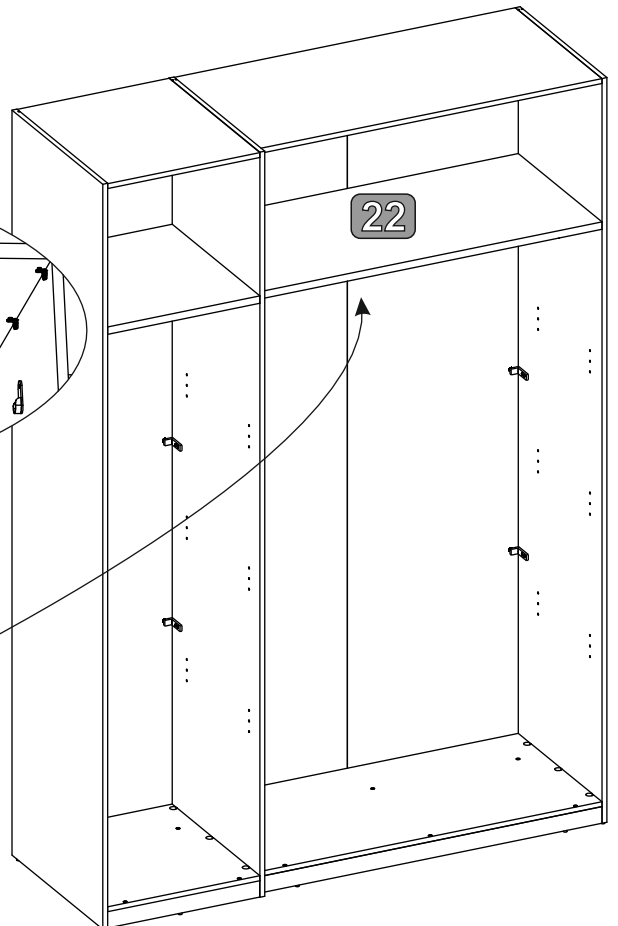
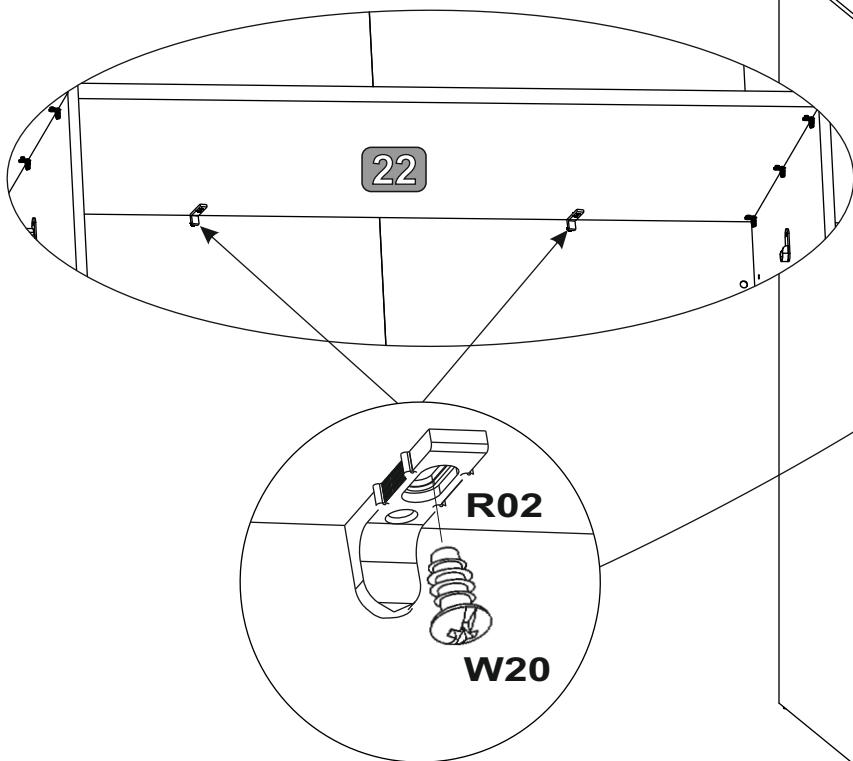
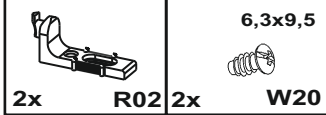
13



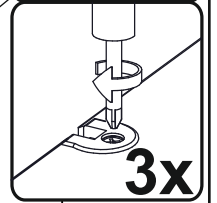
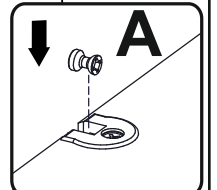
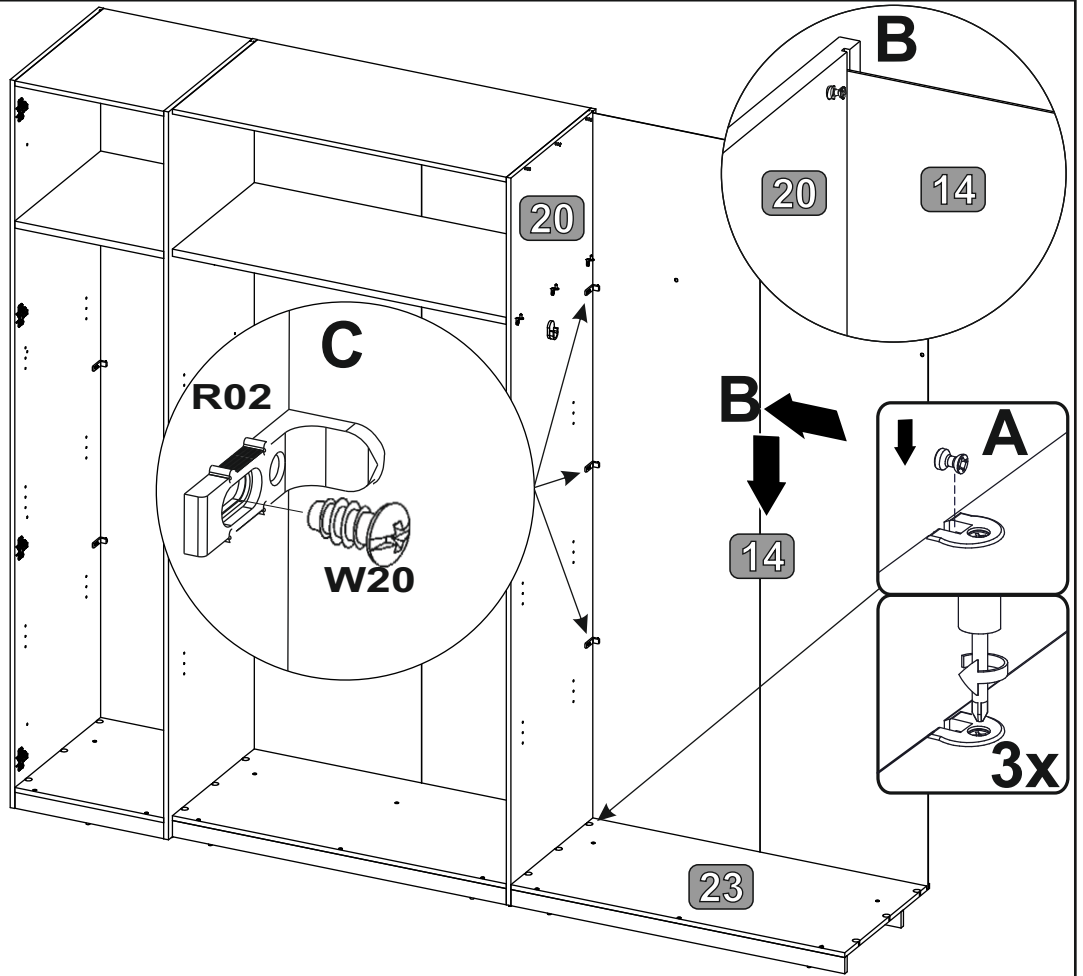
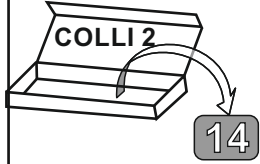
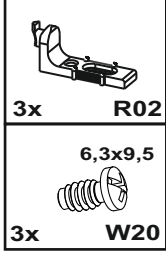
14



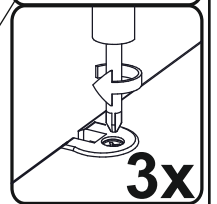
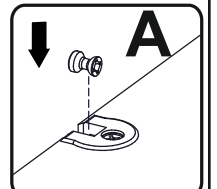
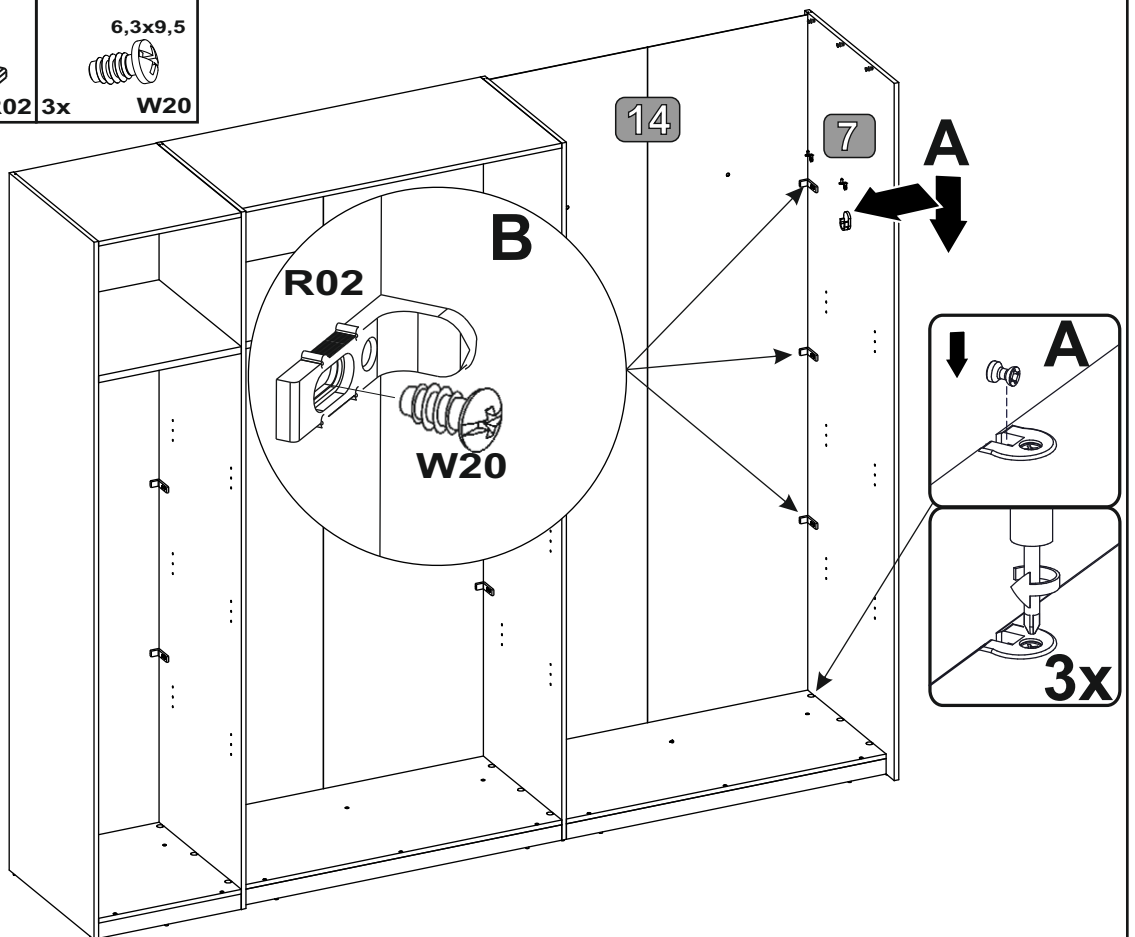
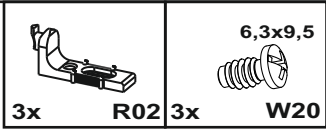
15



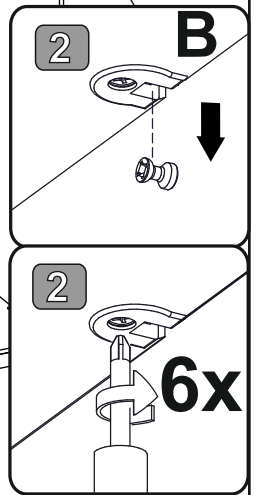
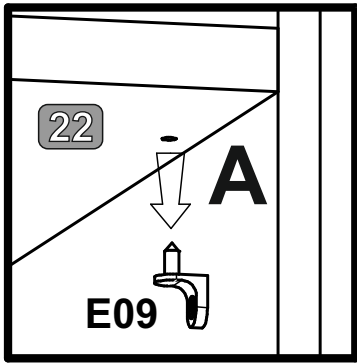
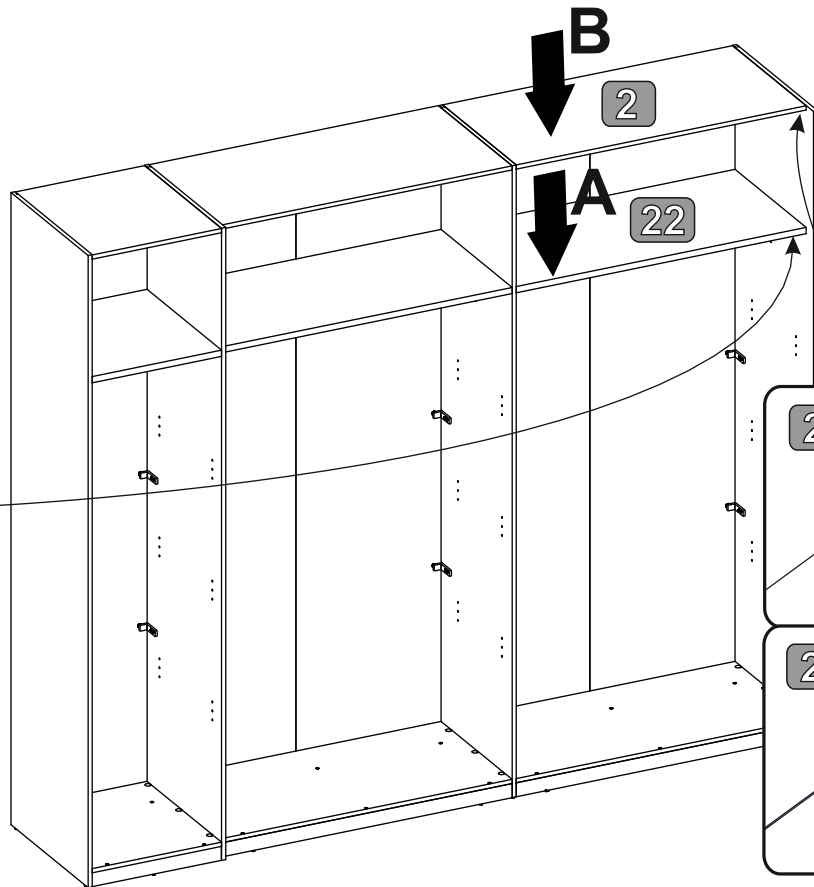
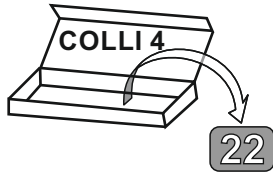
16



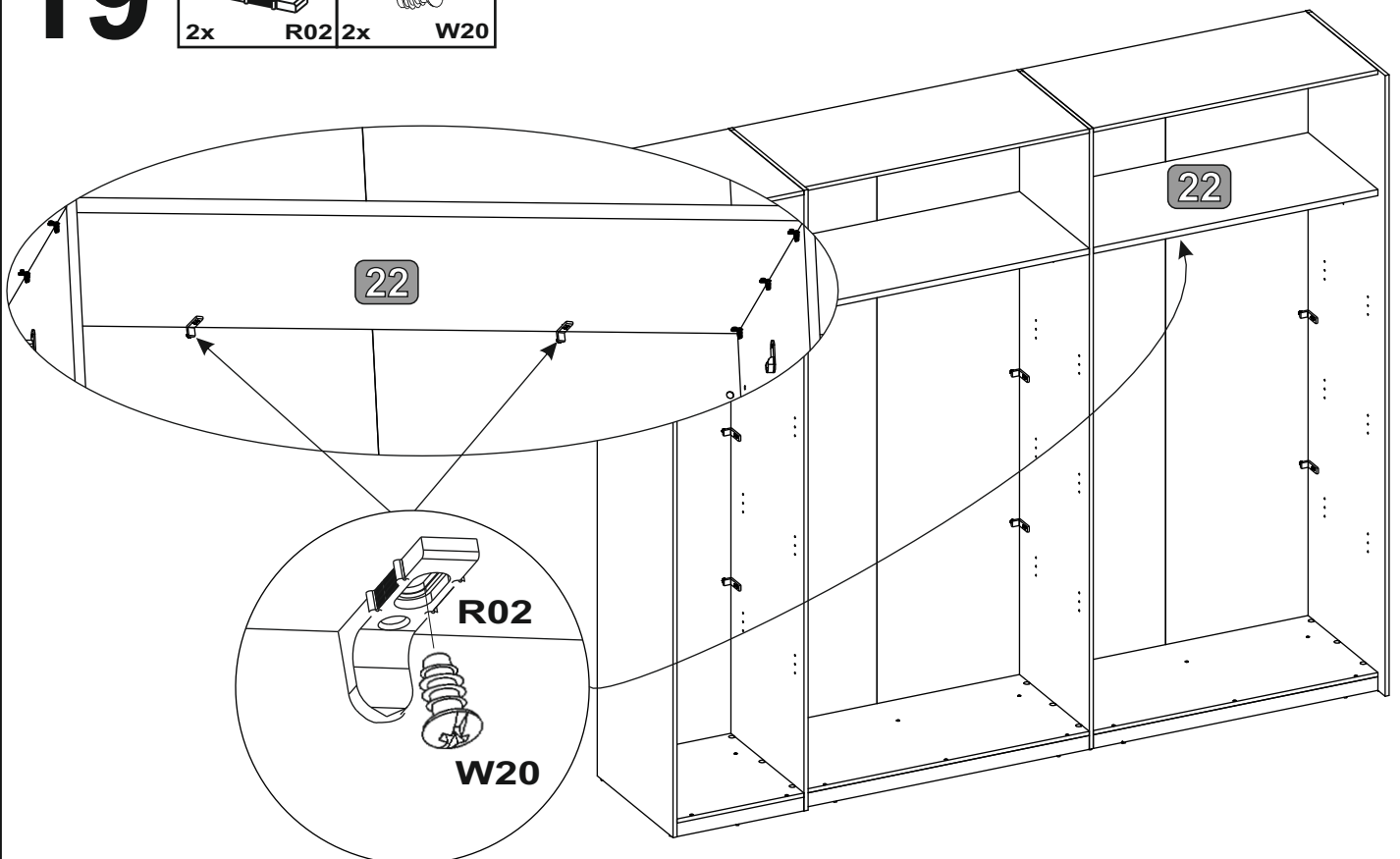
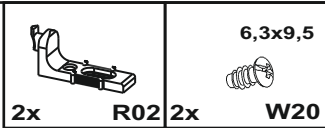
17



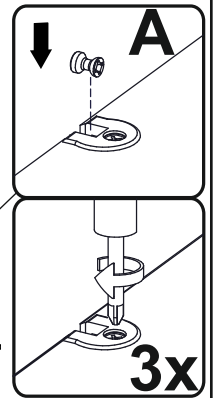
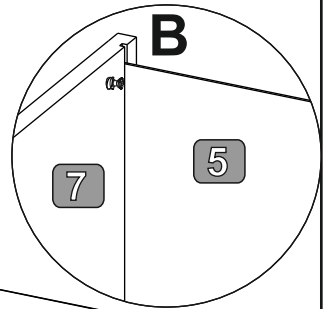
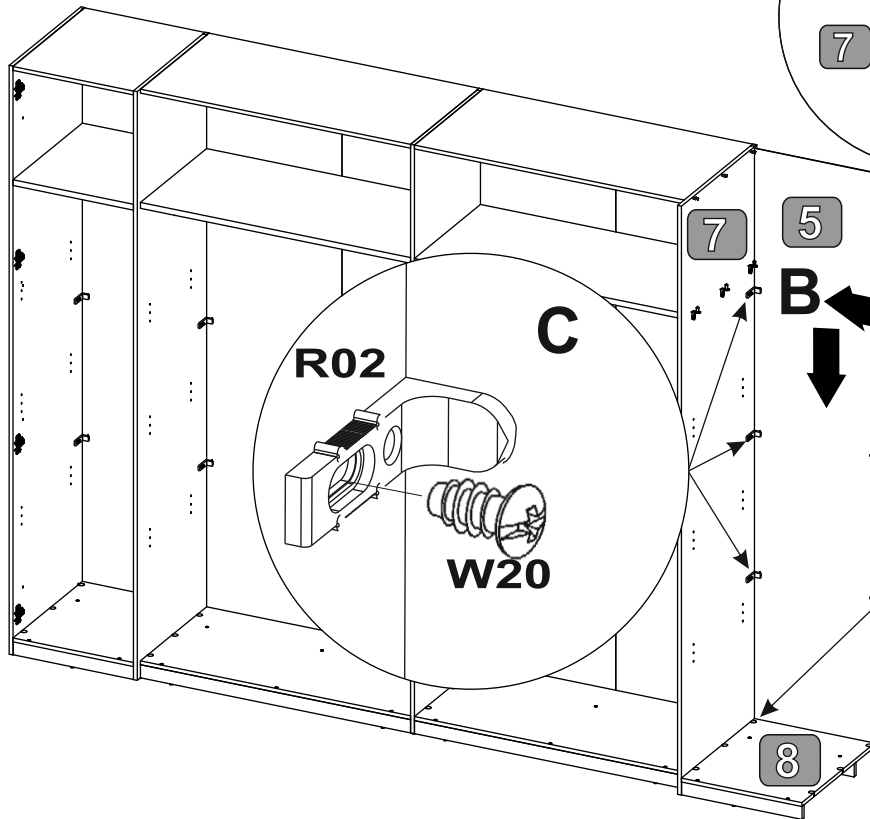
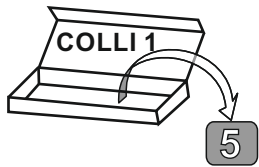
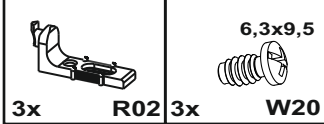
18



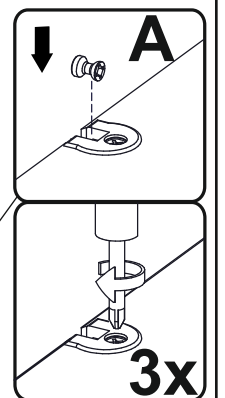
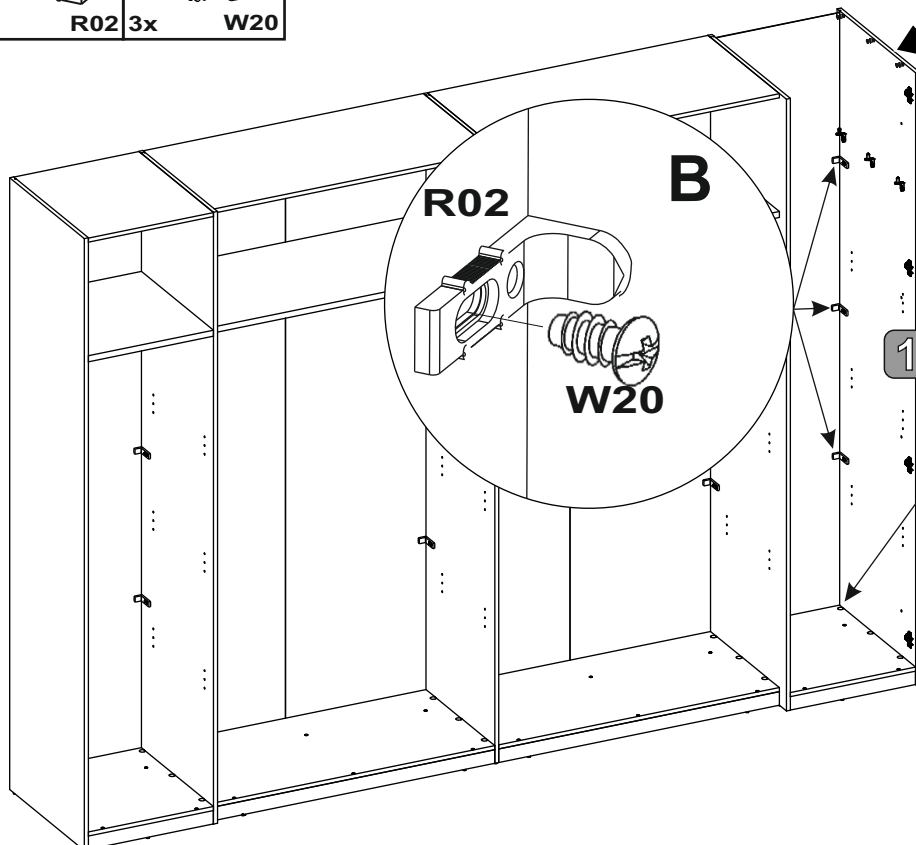
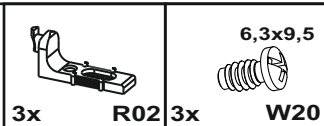
19



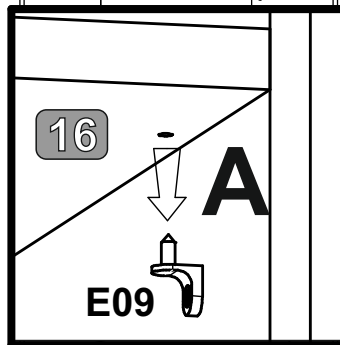
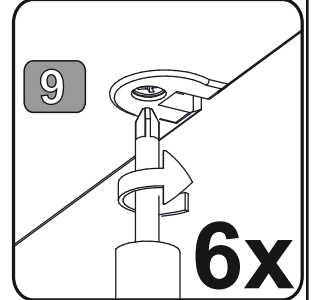
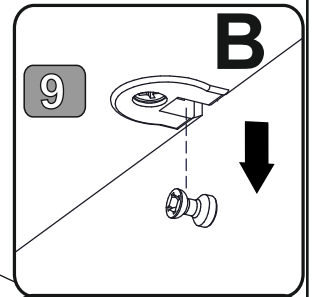
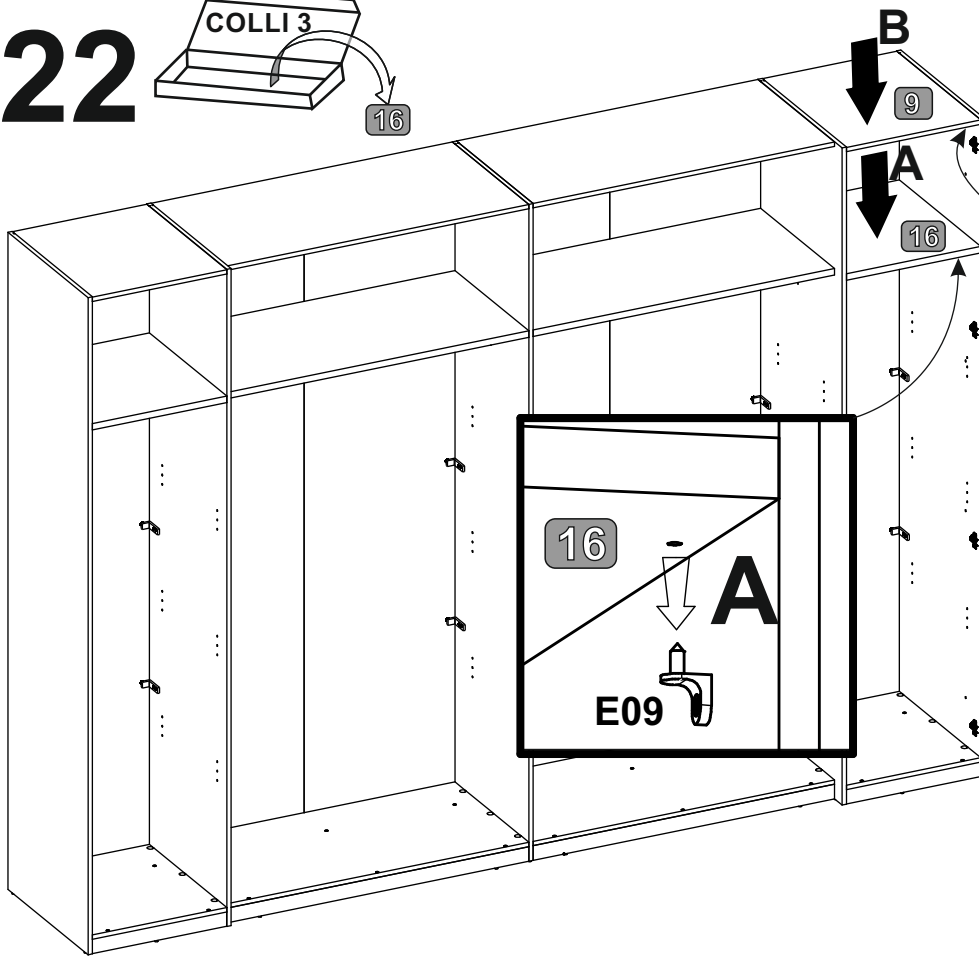
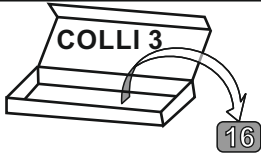
20



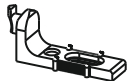
21



22



23

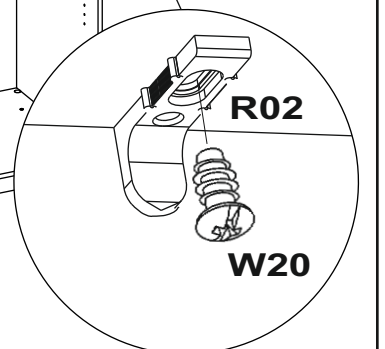
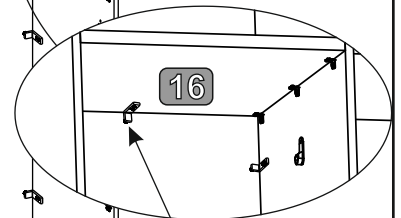
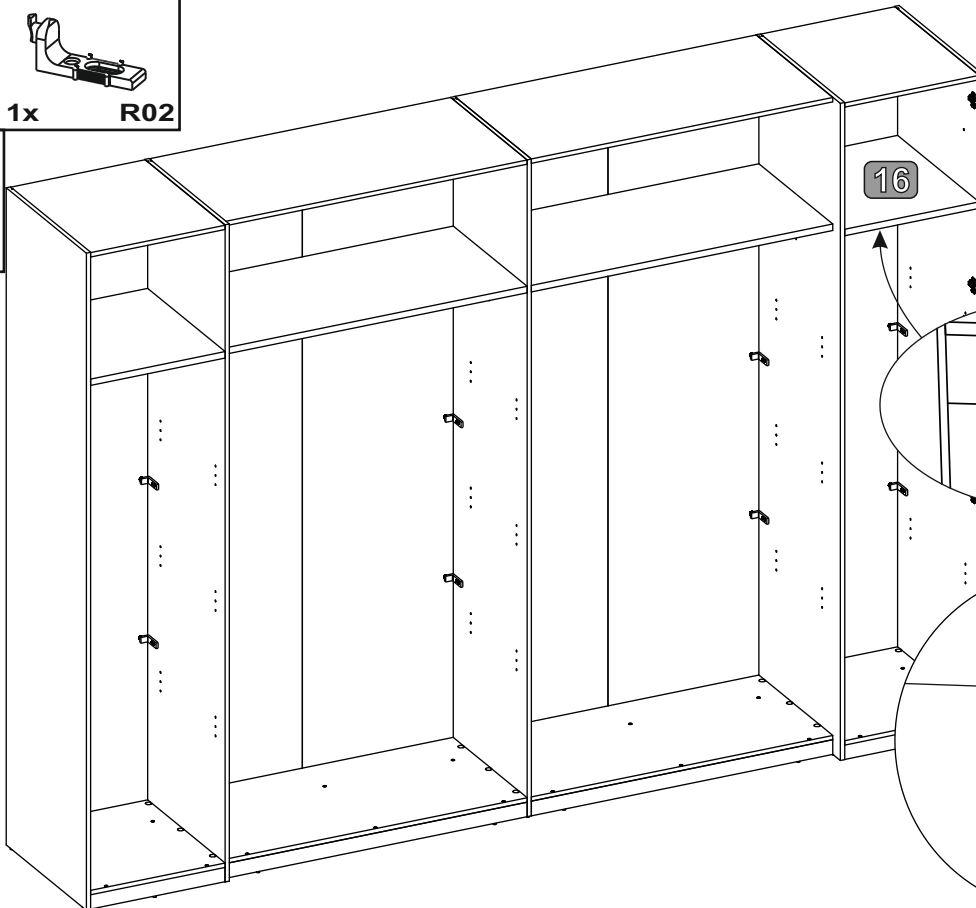


1x R02

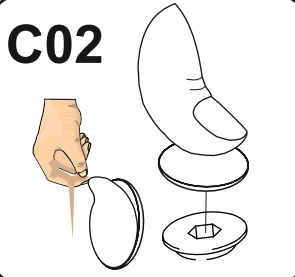
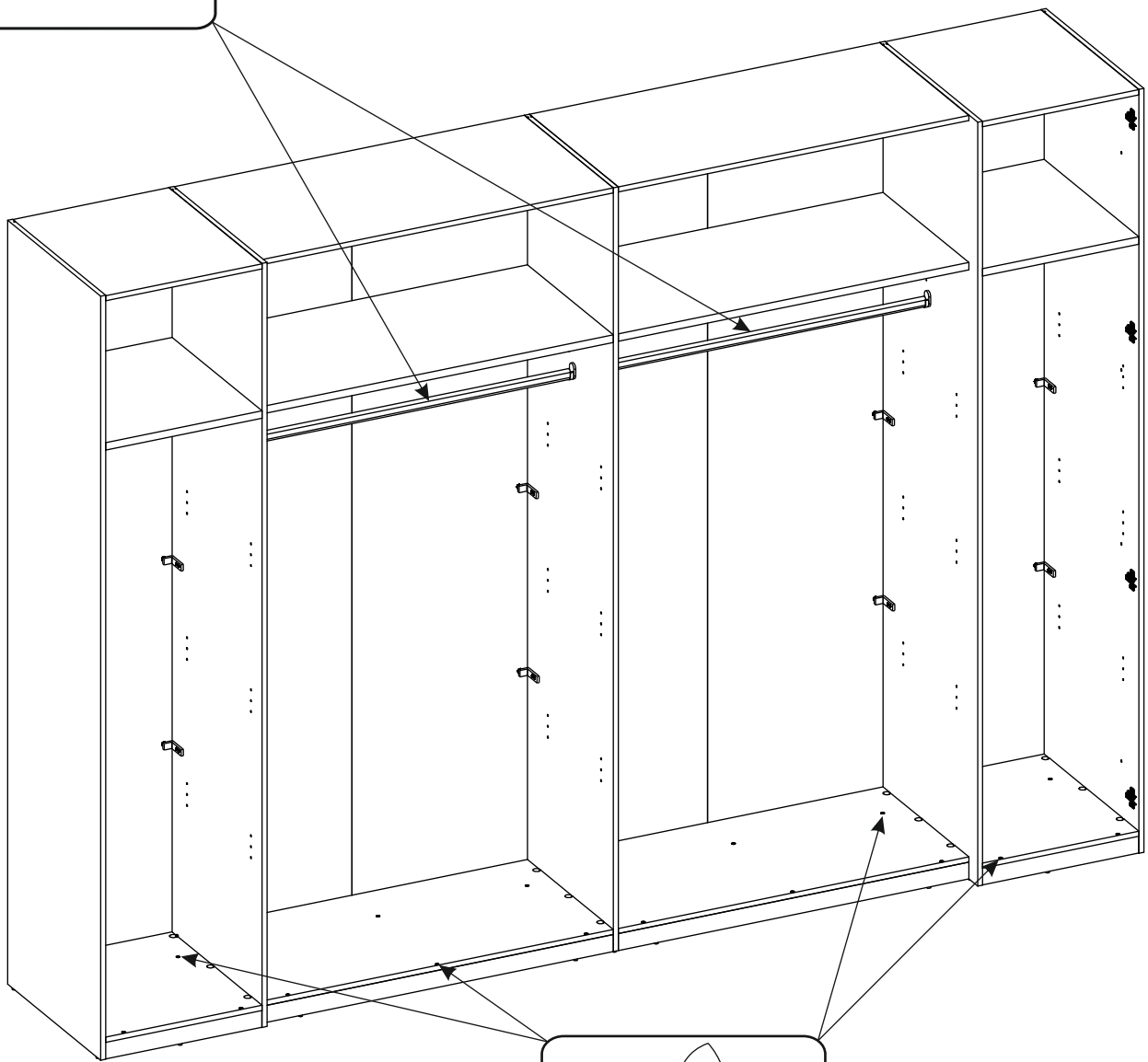
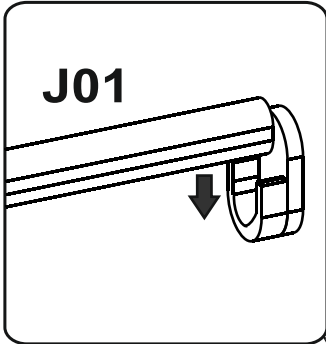
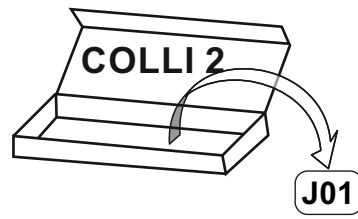
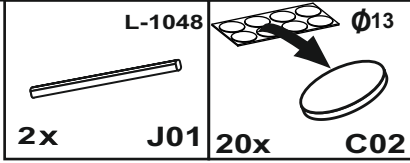
6,3x9,5




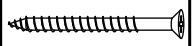



1x W20

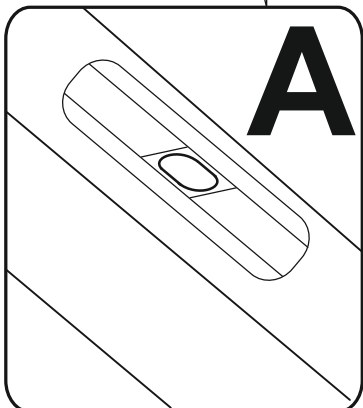
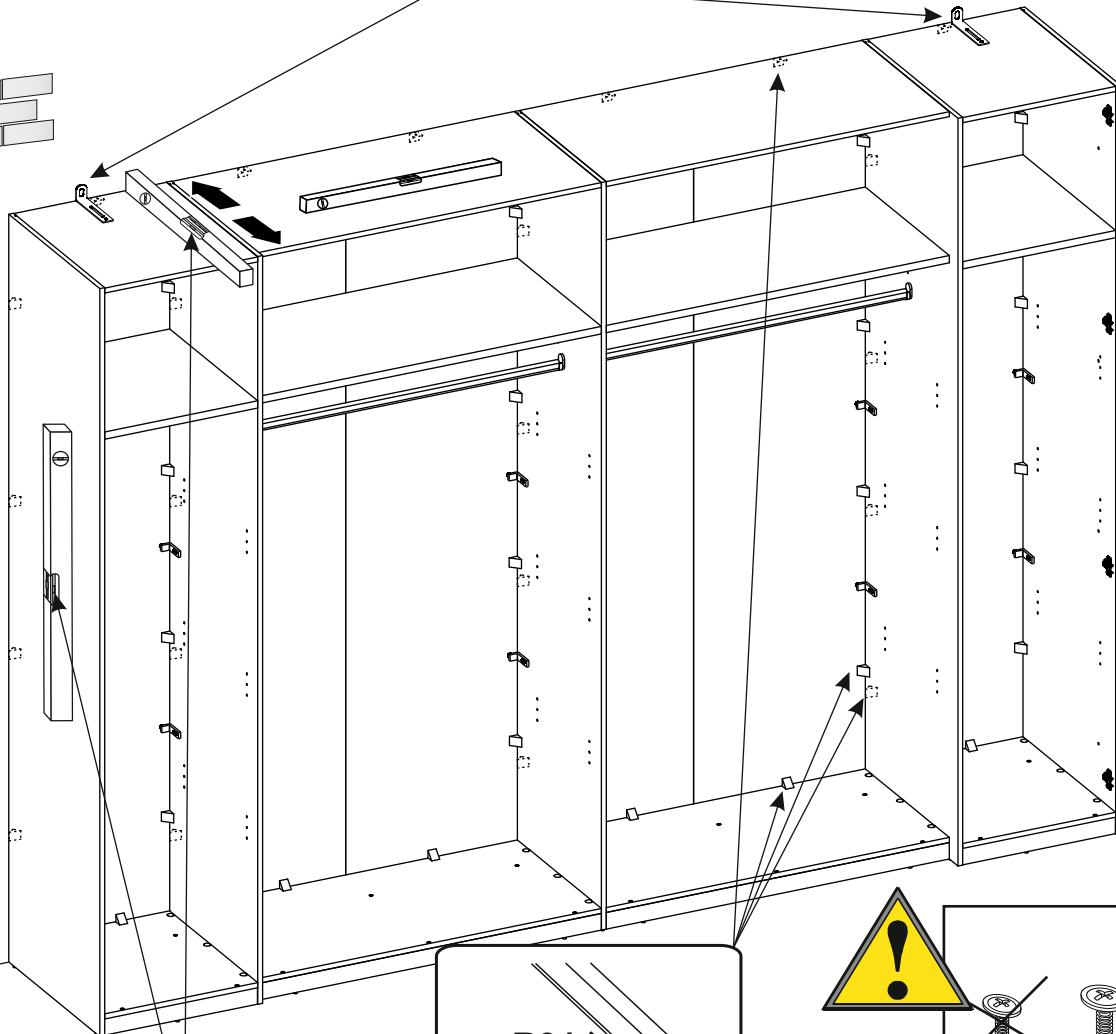
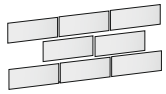
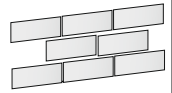
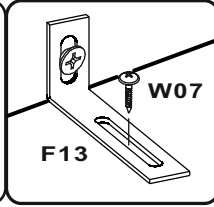
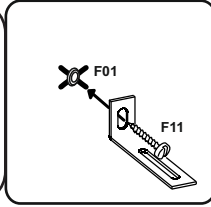
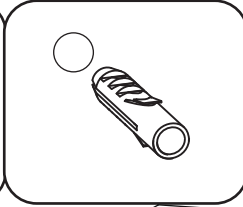
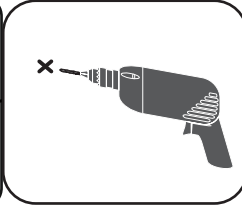
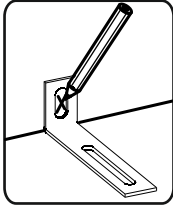


24

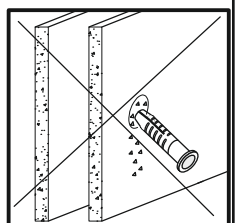
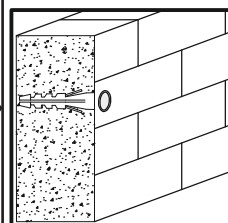
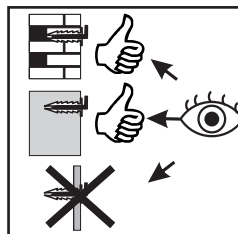
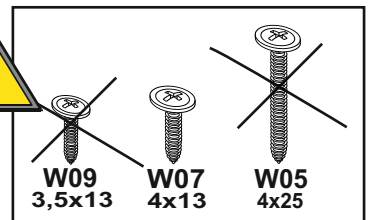
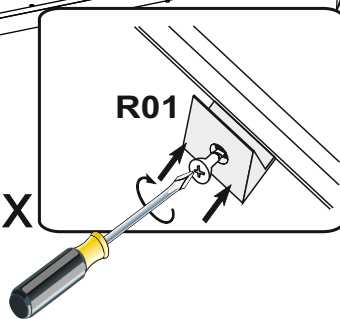


25

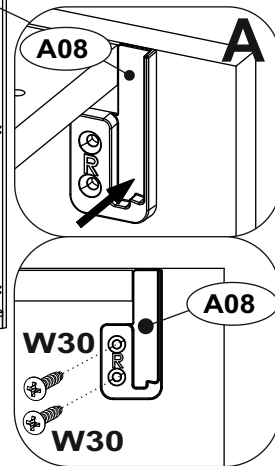
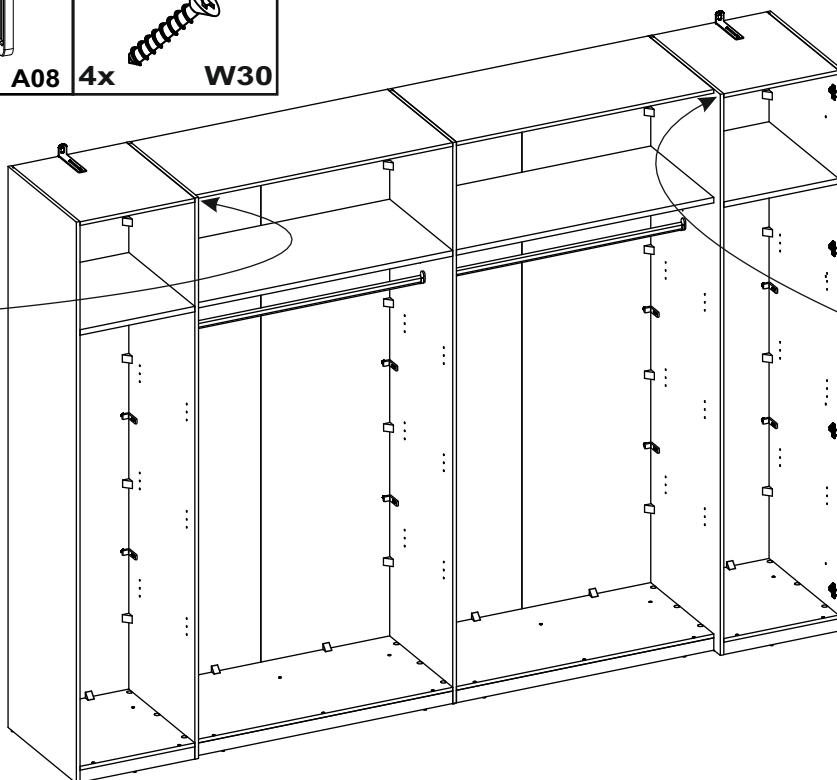
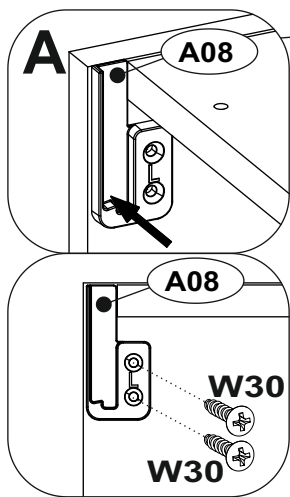
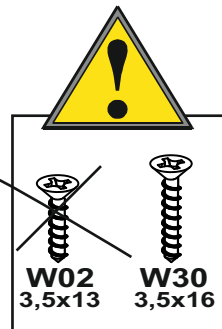
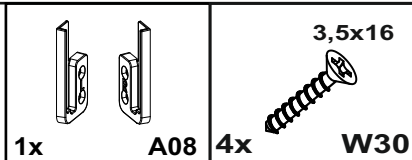
 2x F01	 2x F11	 2x F13	 4x13 2x W07	 44x R01
---	---	---	--	--



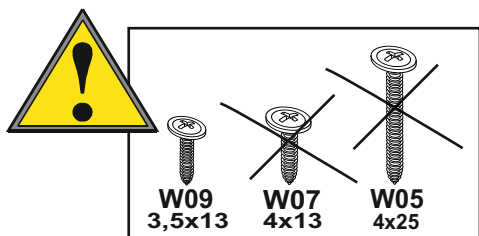
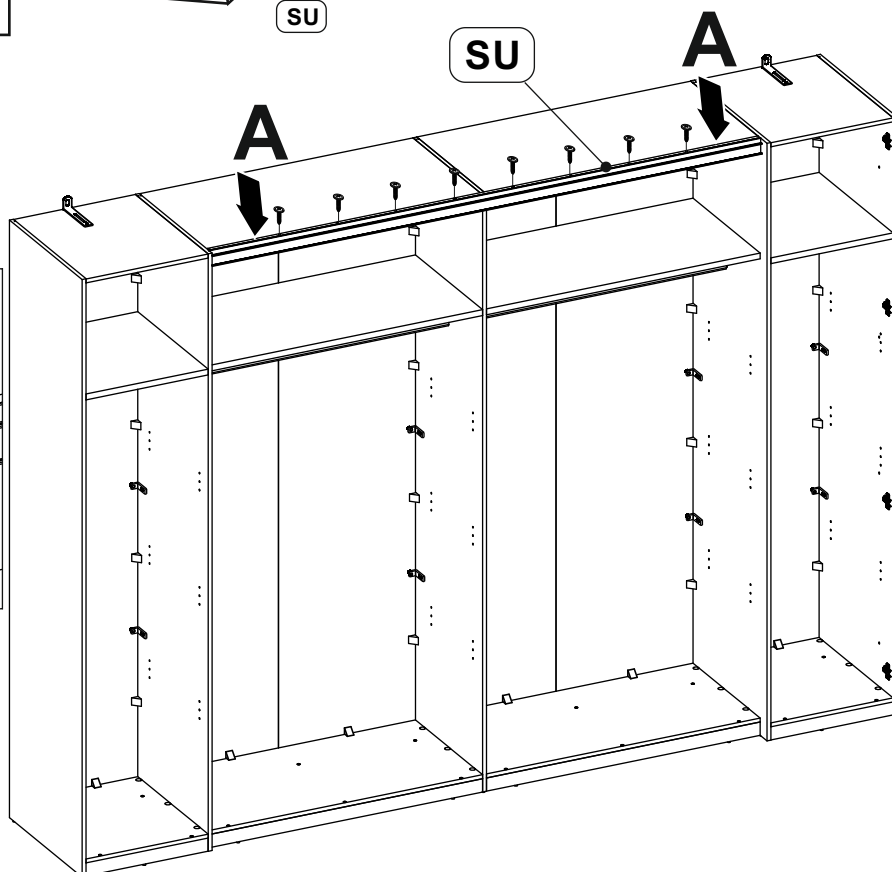
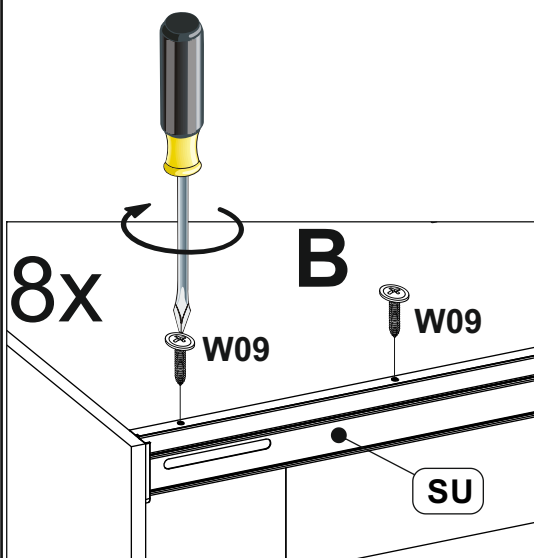
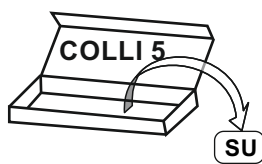
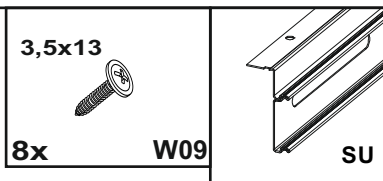
44x



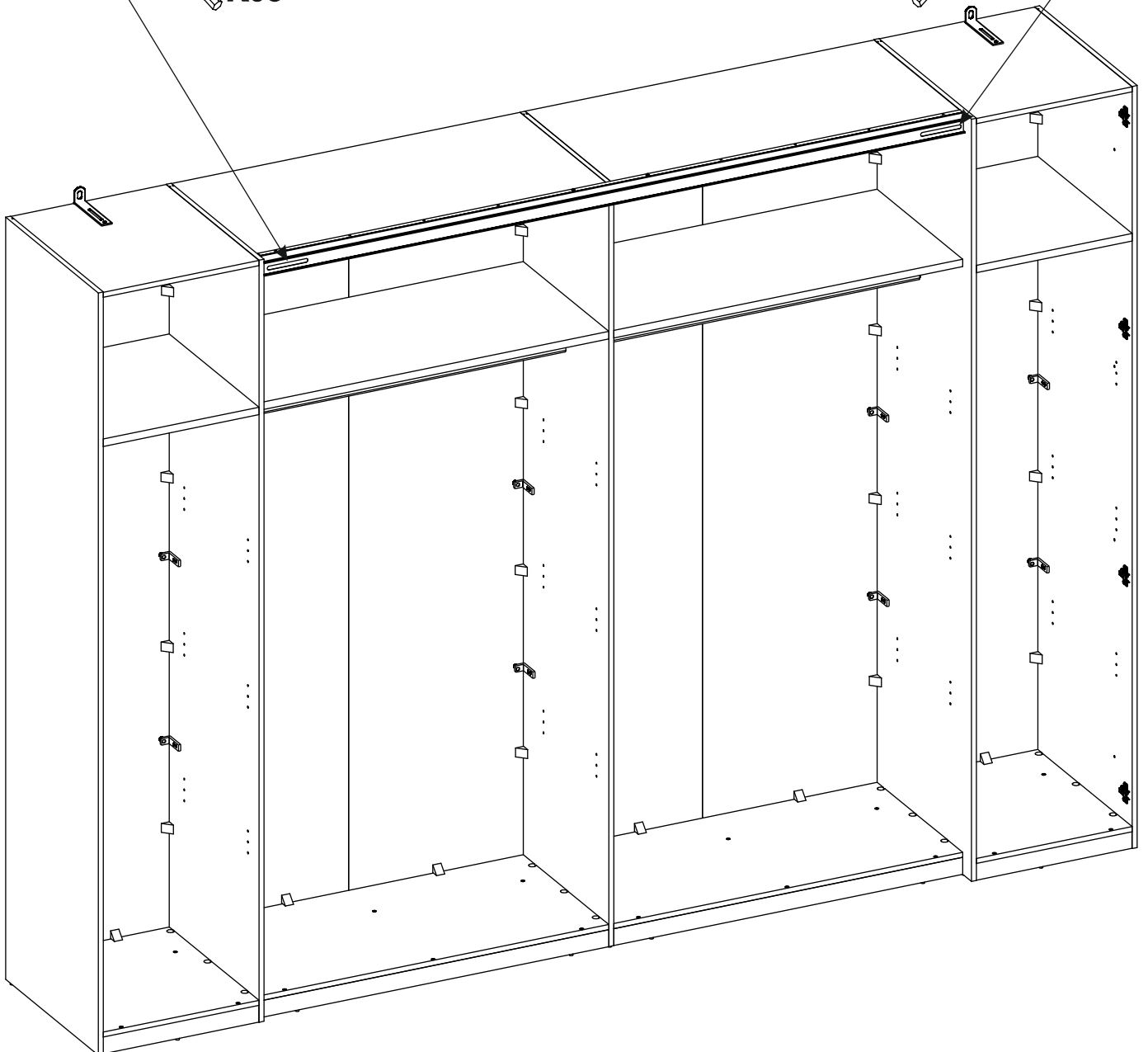
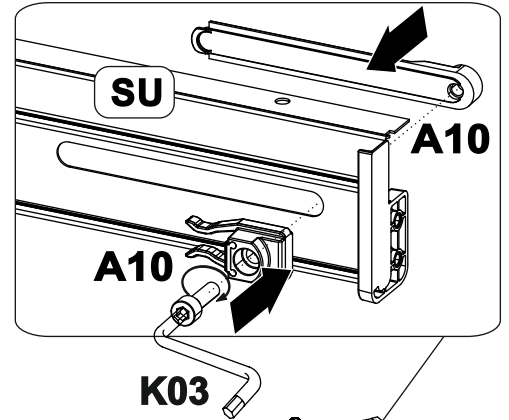
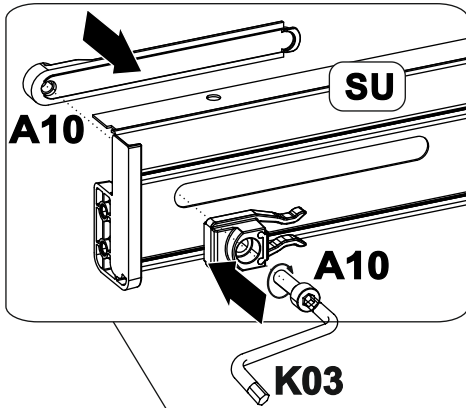
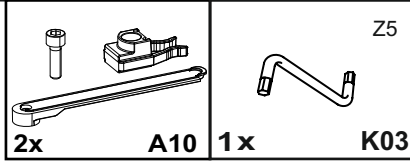
26



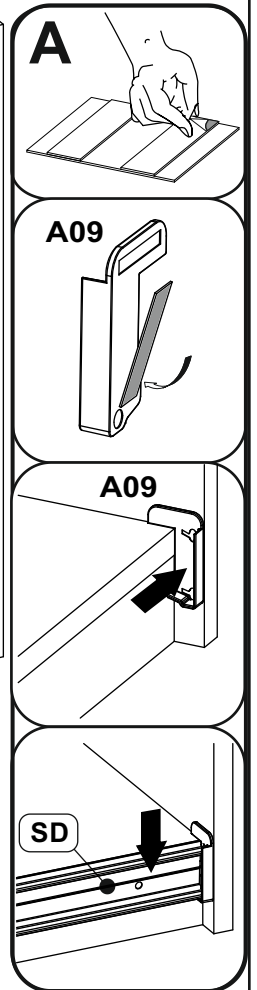
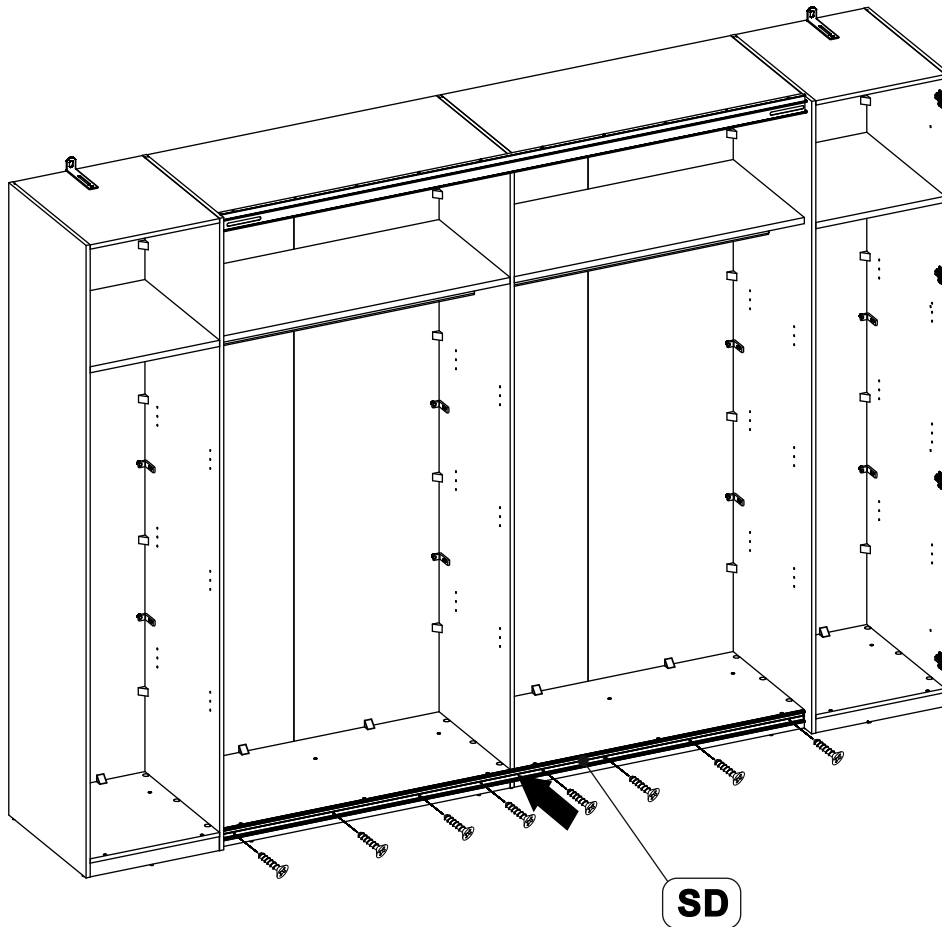
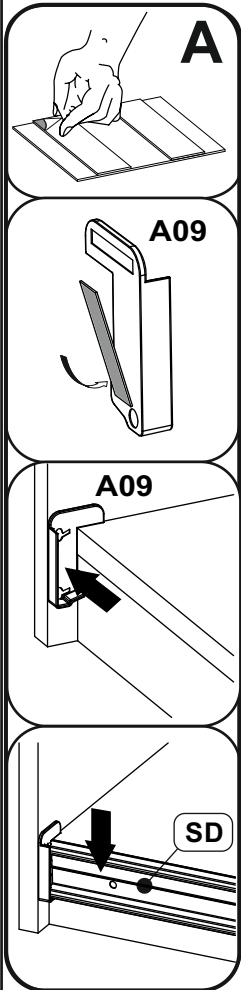
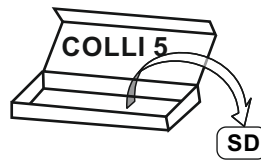
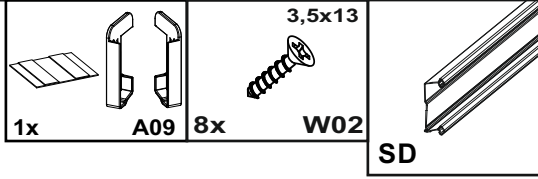
27



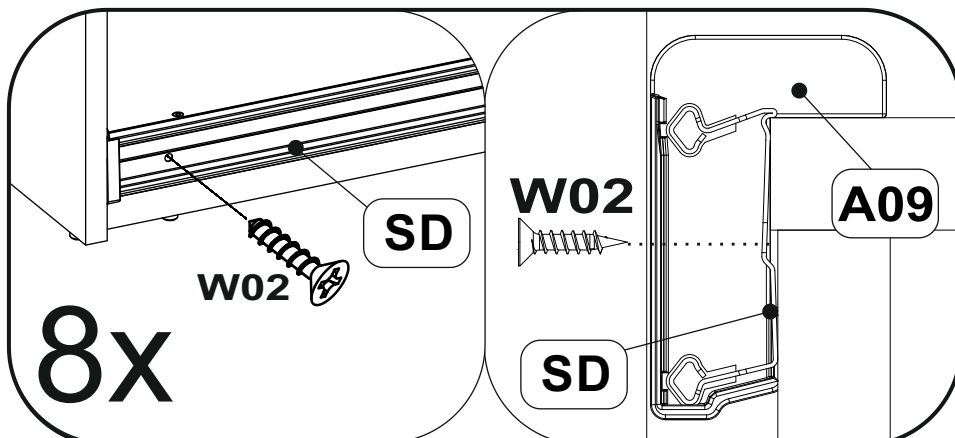
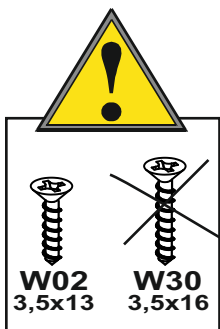
28



29

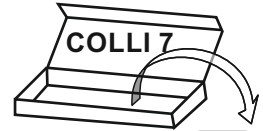


B

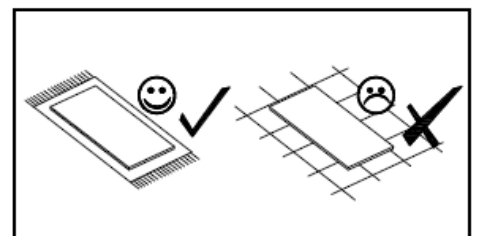
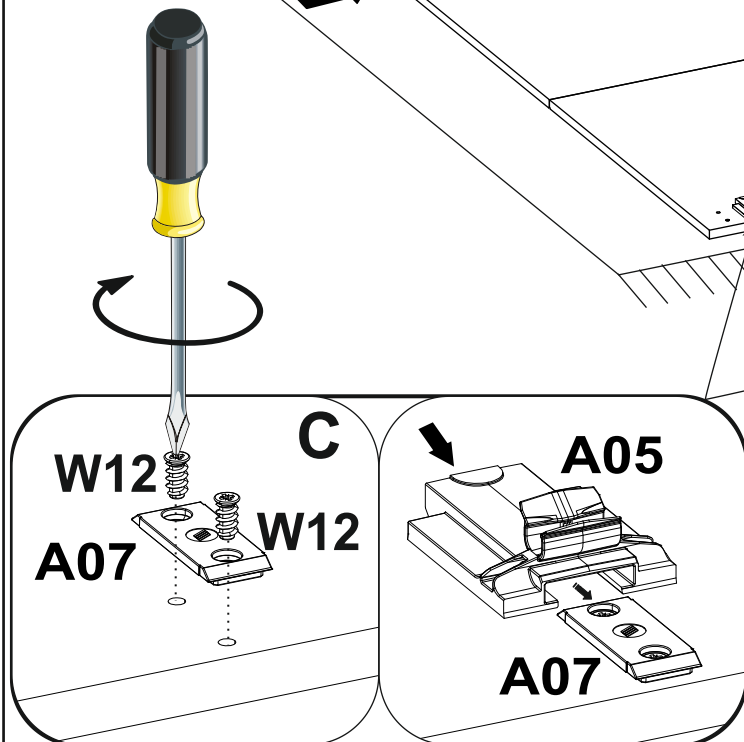
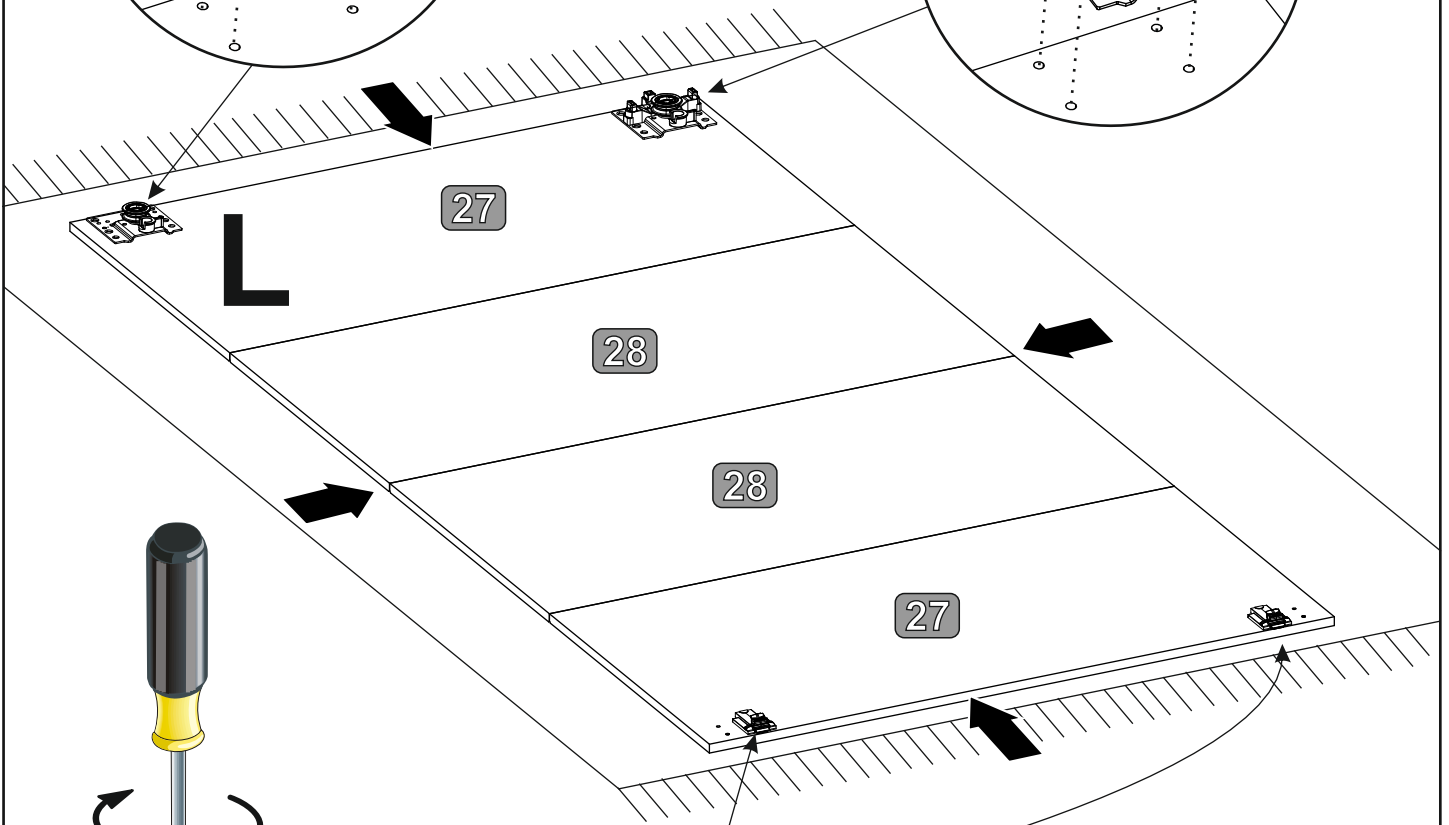
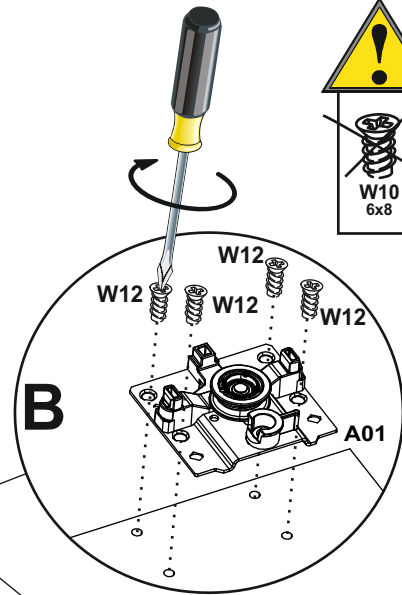
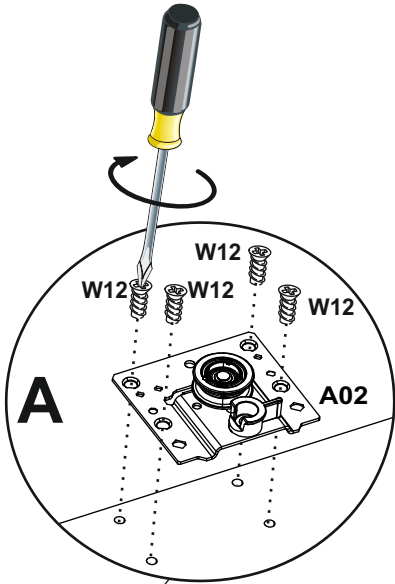
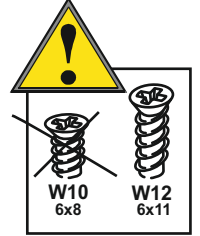


30

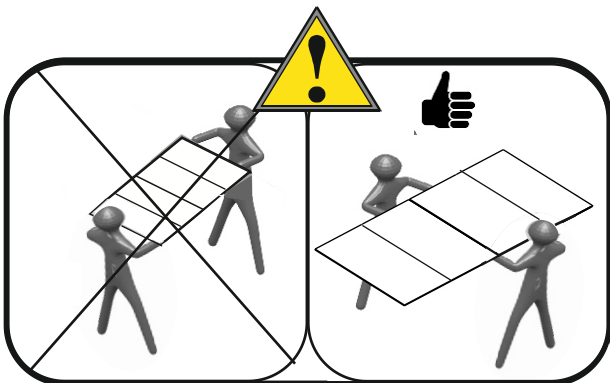
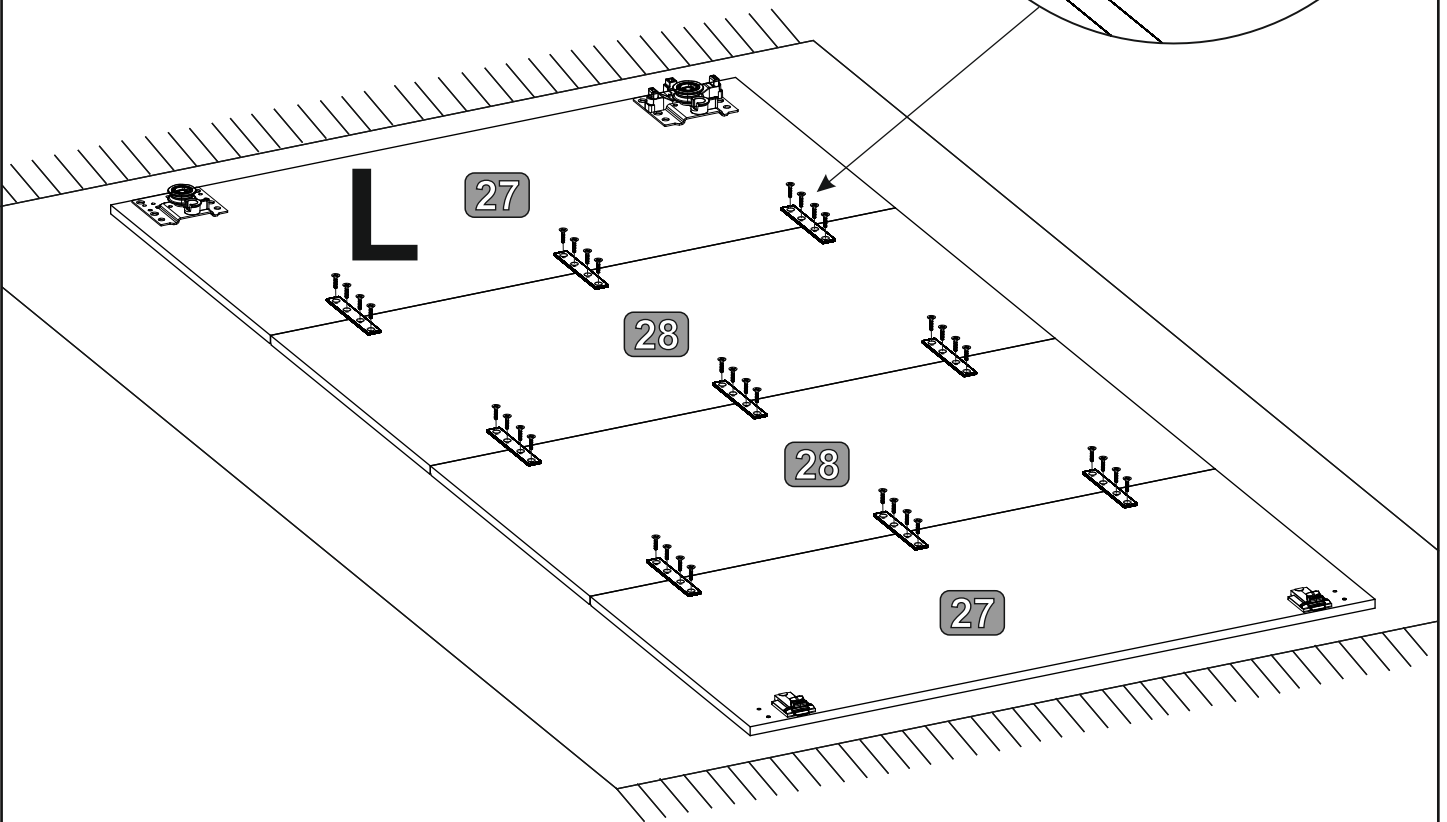
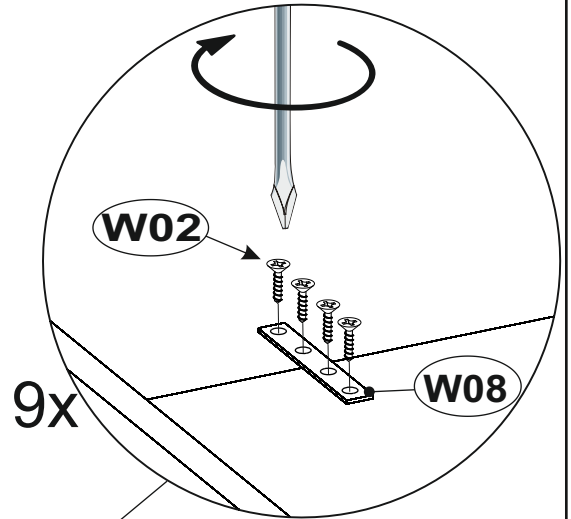
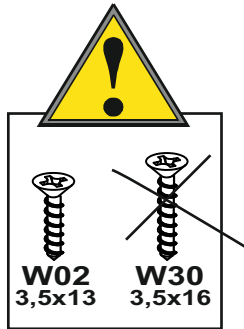
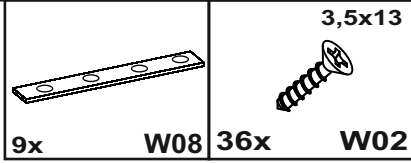
- 2x A07
- 2x A05
- 12x W12 (6x11)
- 1x A01
- 1x A02



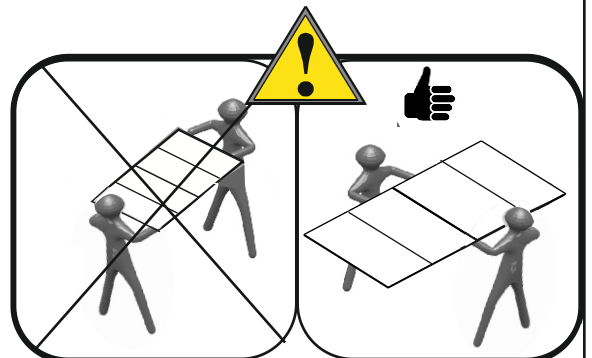
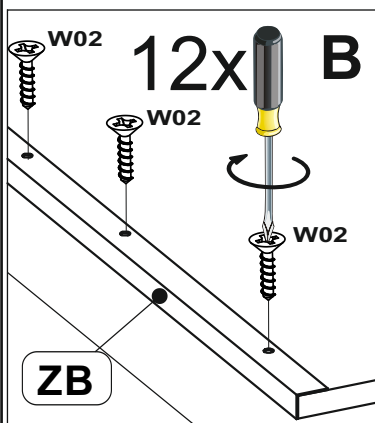
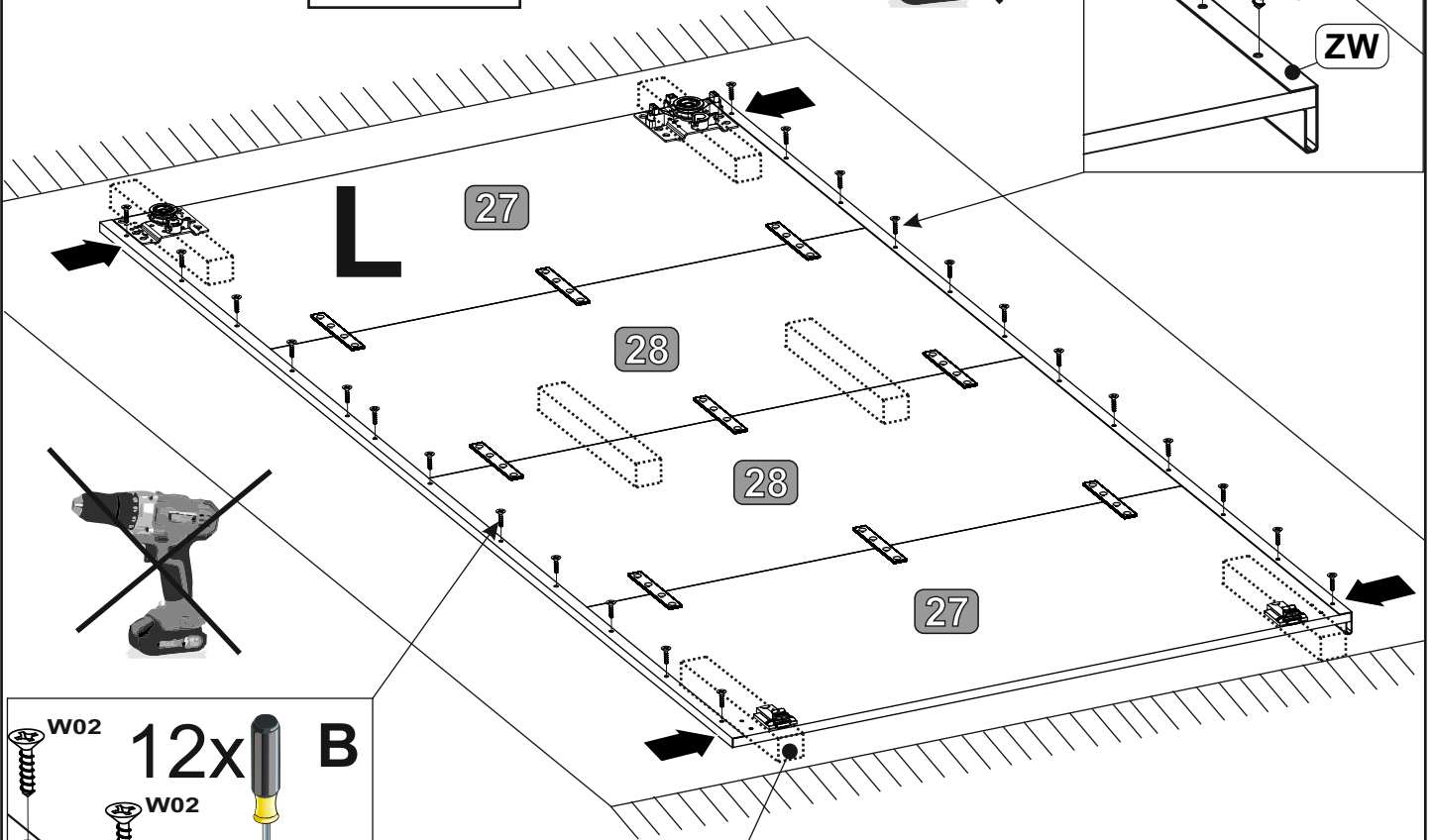
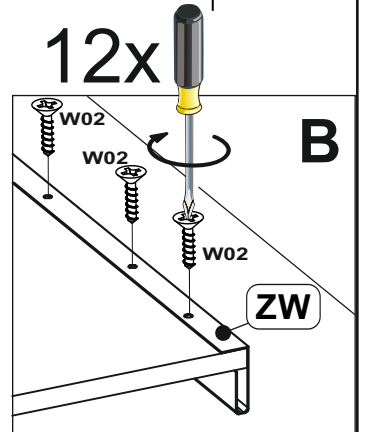
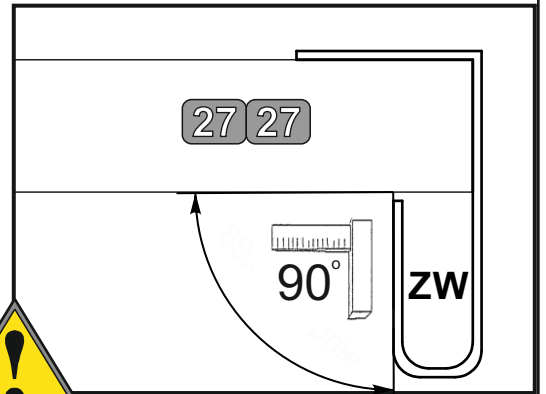
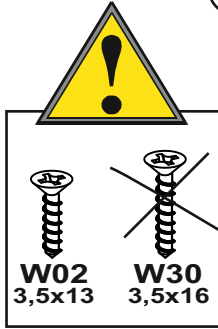
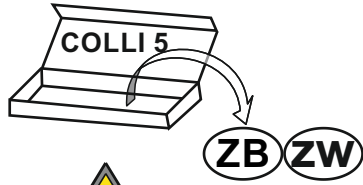
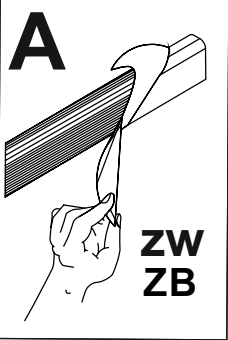
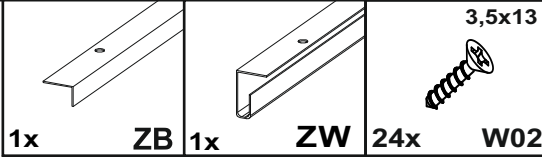
27 28



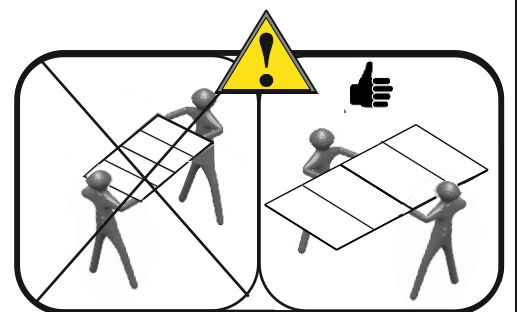
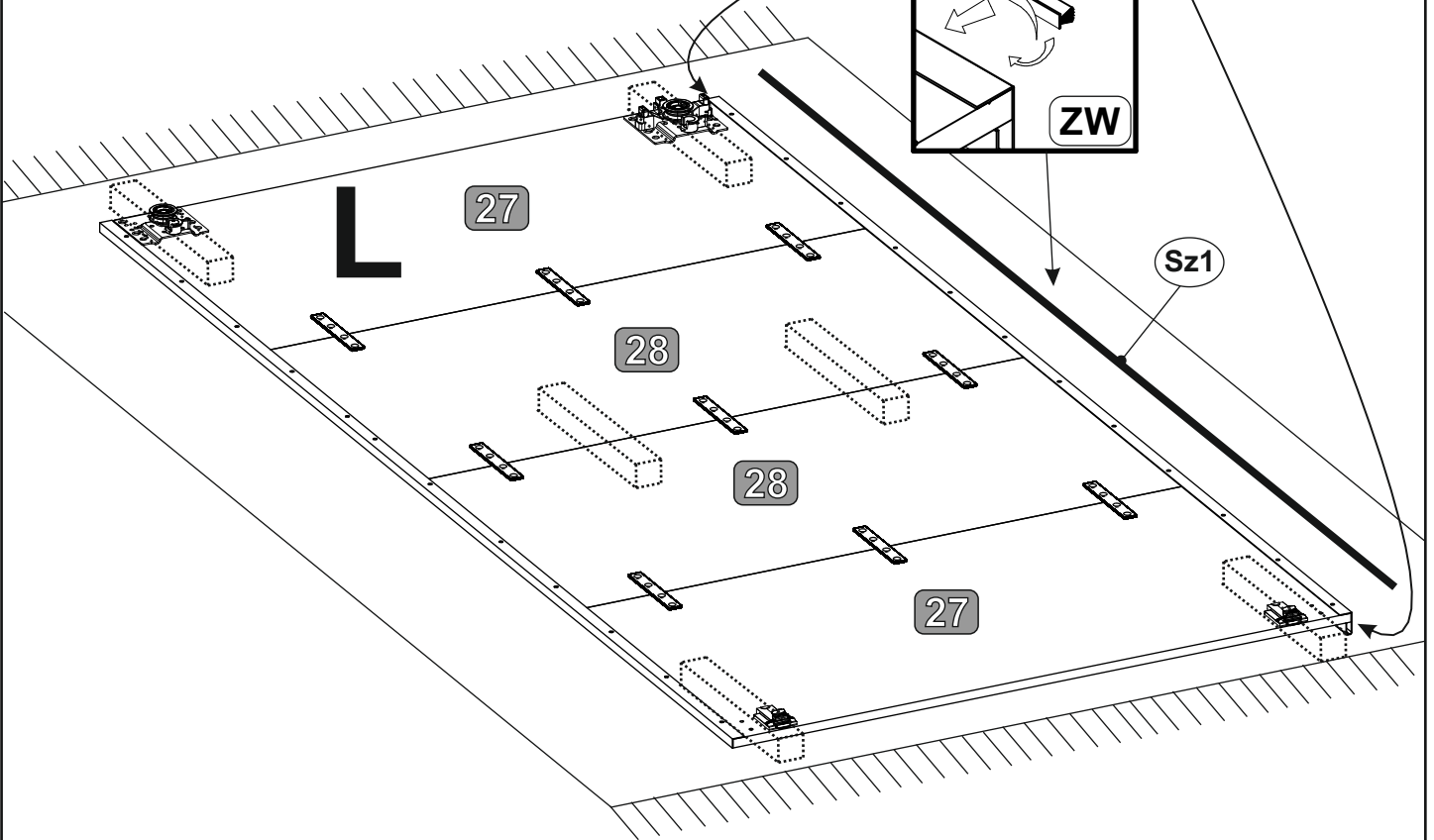
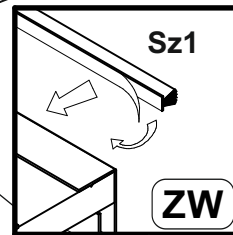
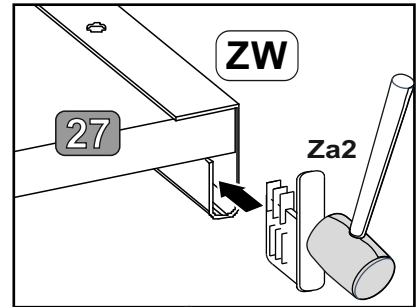
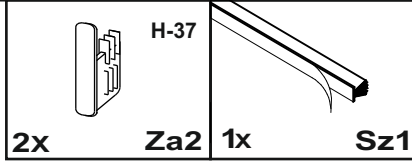
31



32



33



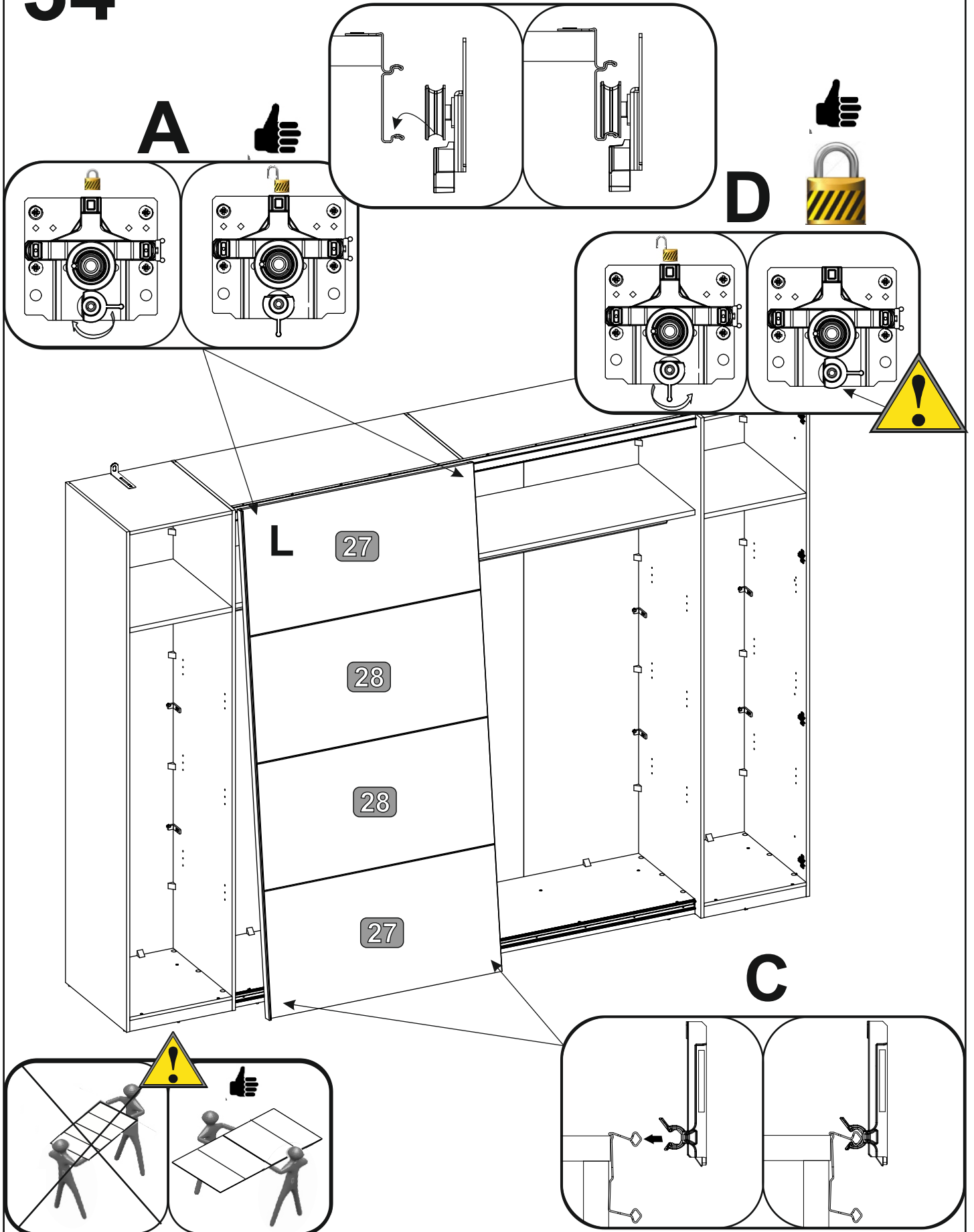
34

B

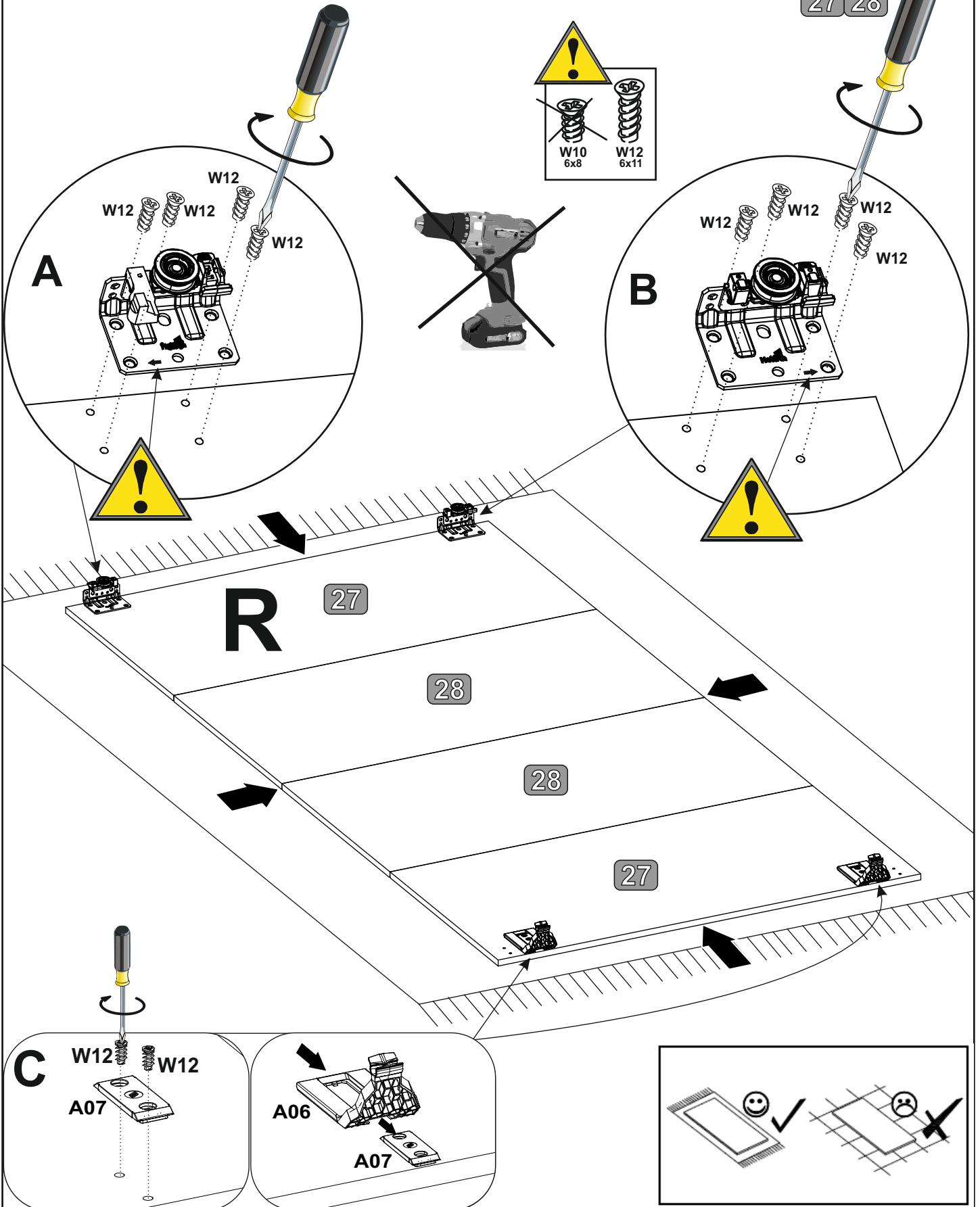
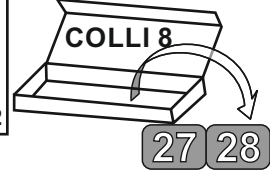
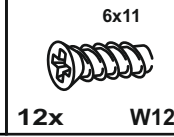
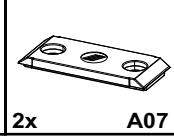
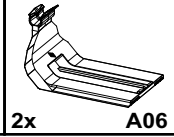
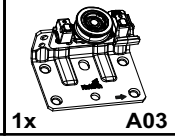
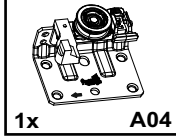
A

D

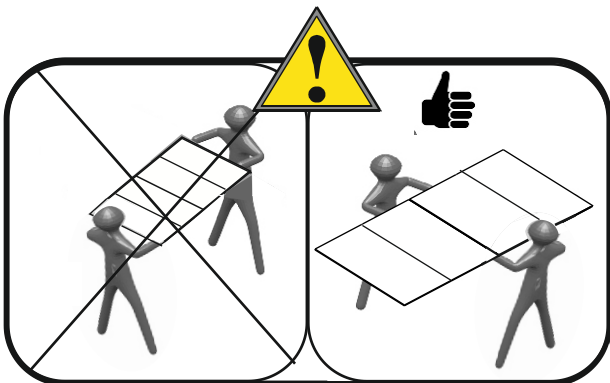
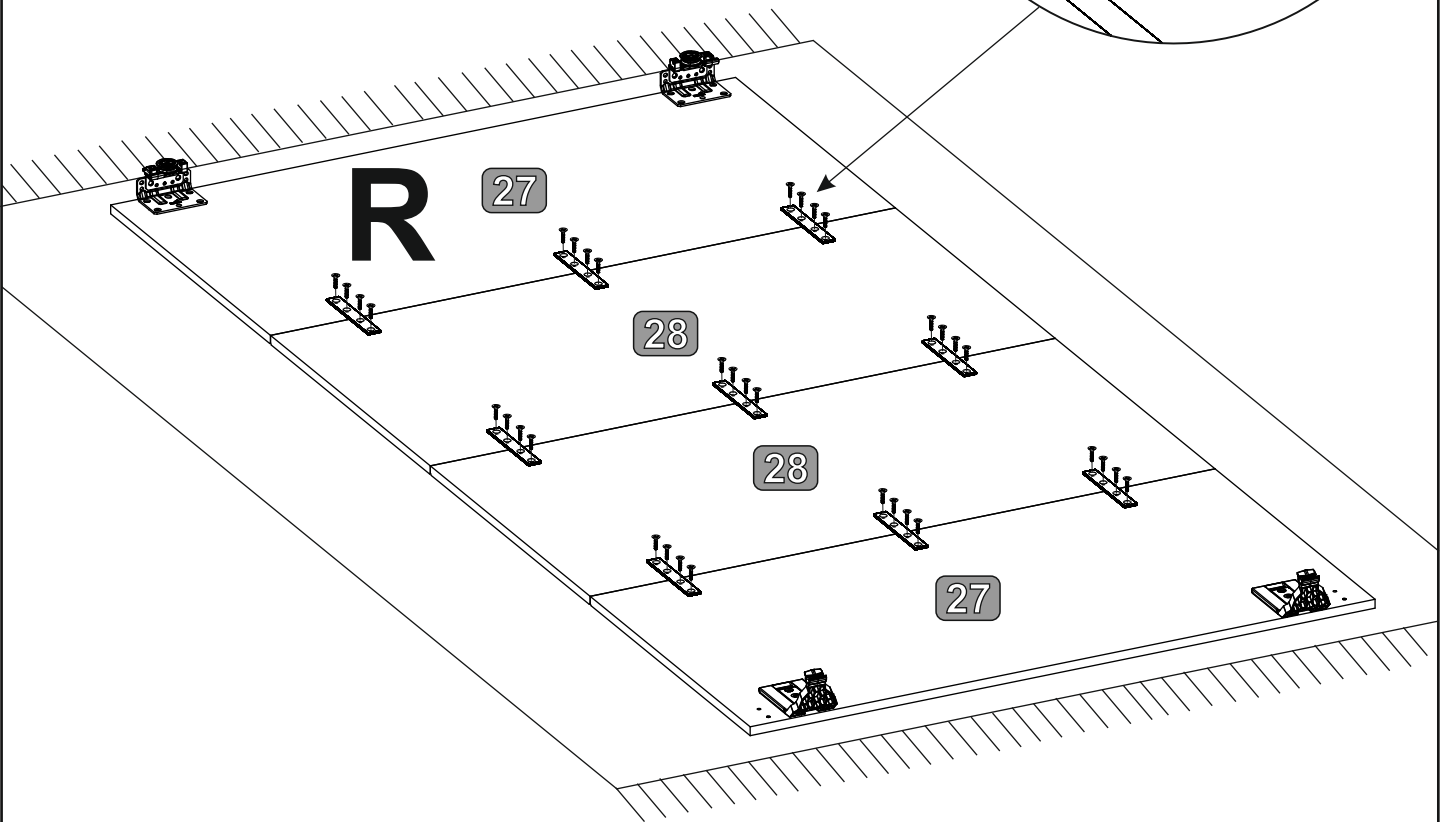
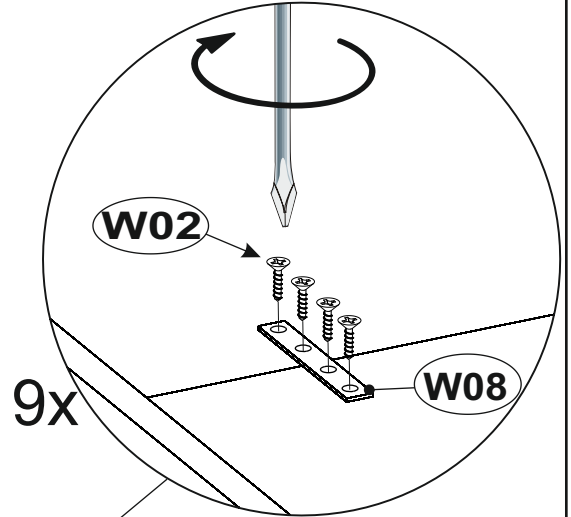
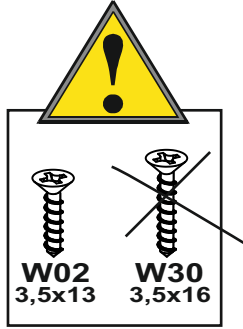
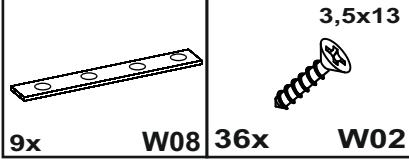
C



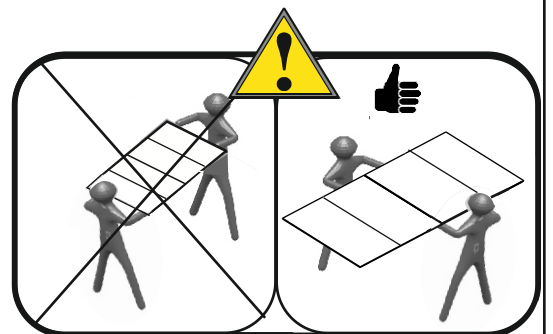
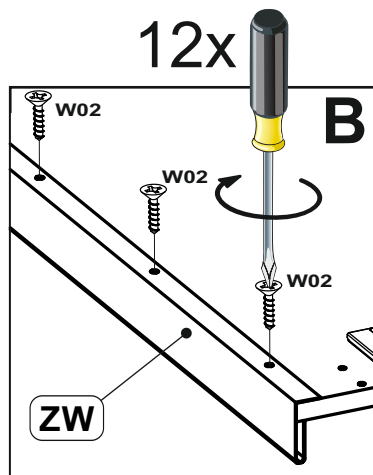
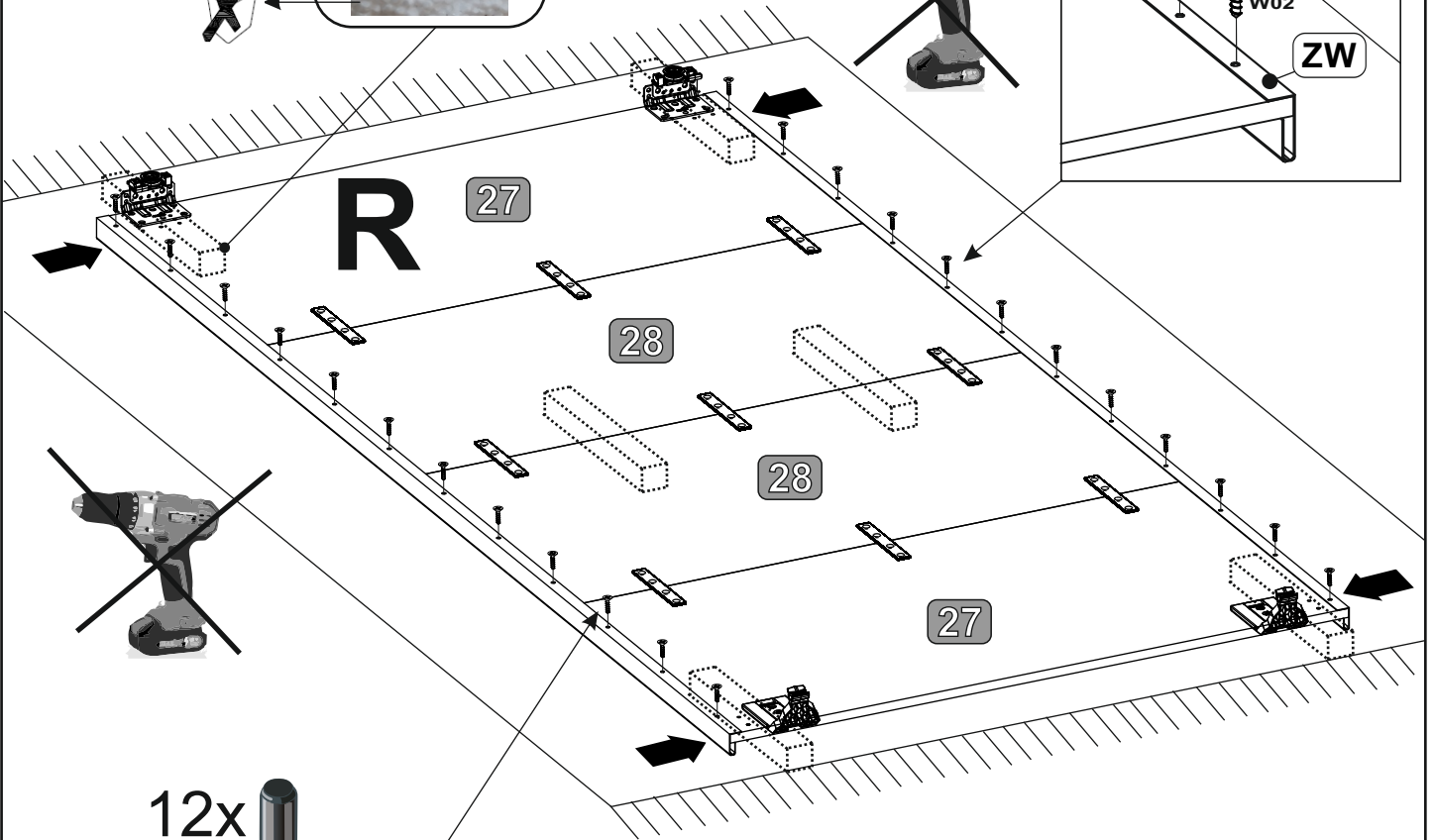
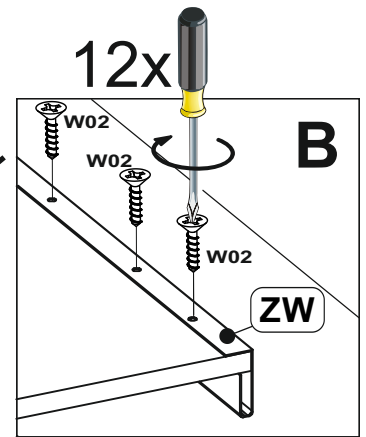
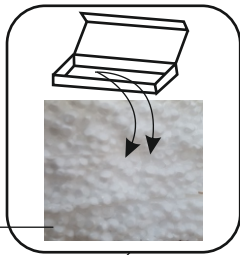
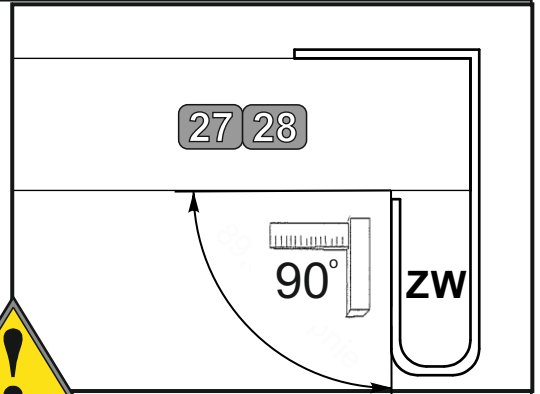
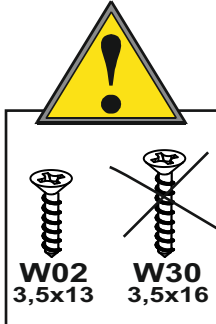
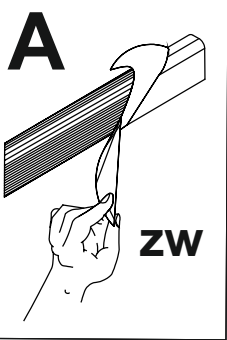
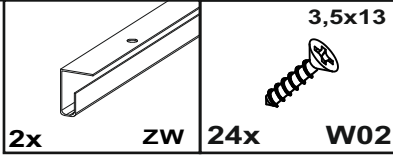
35



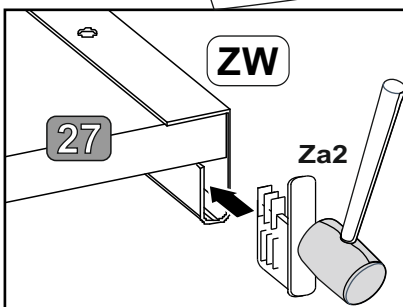
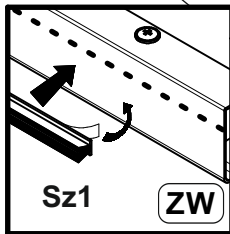
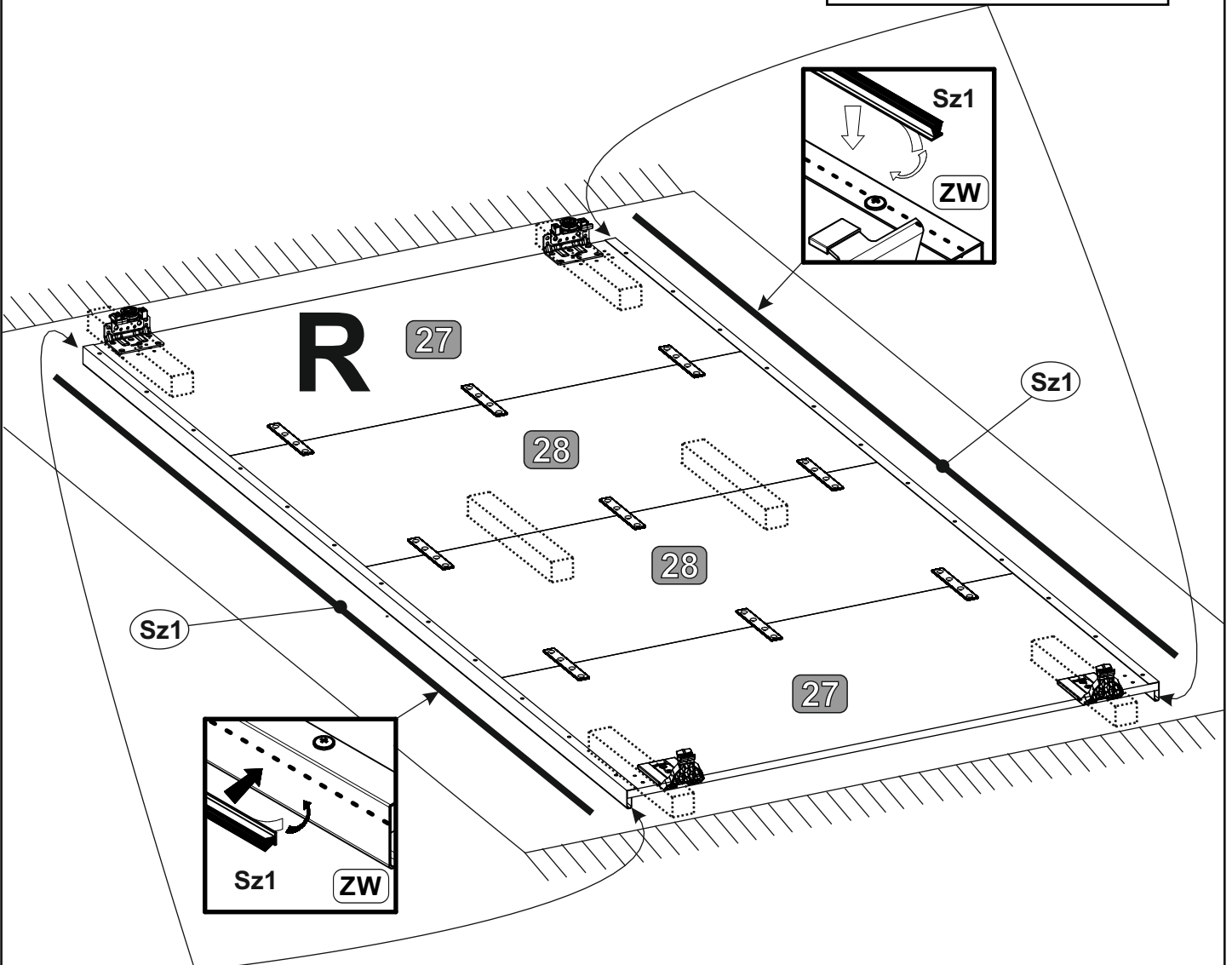
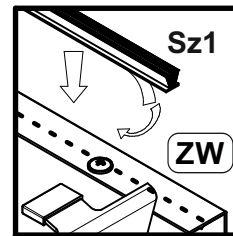
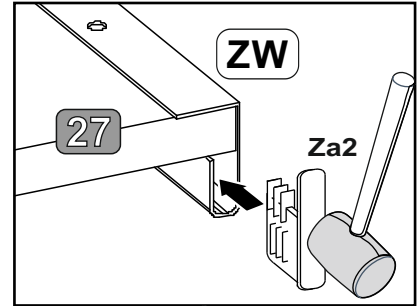
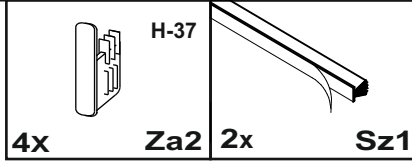
36



37

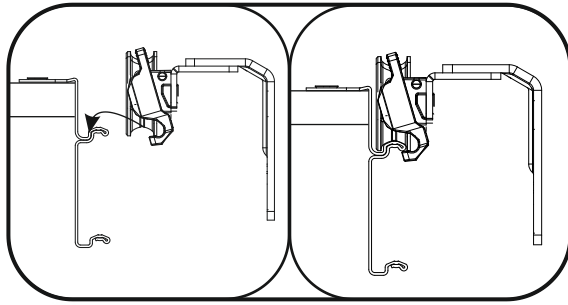


38

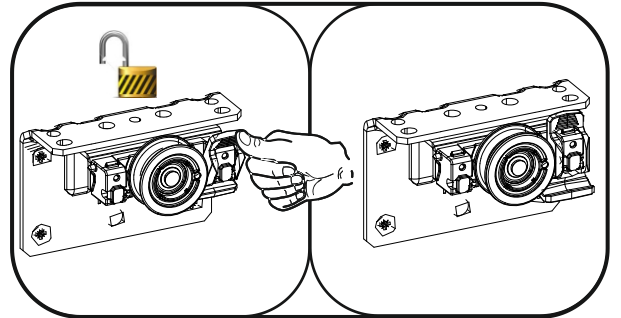


39

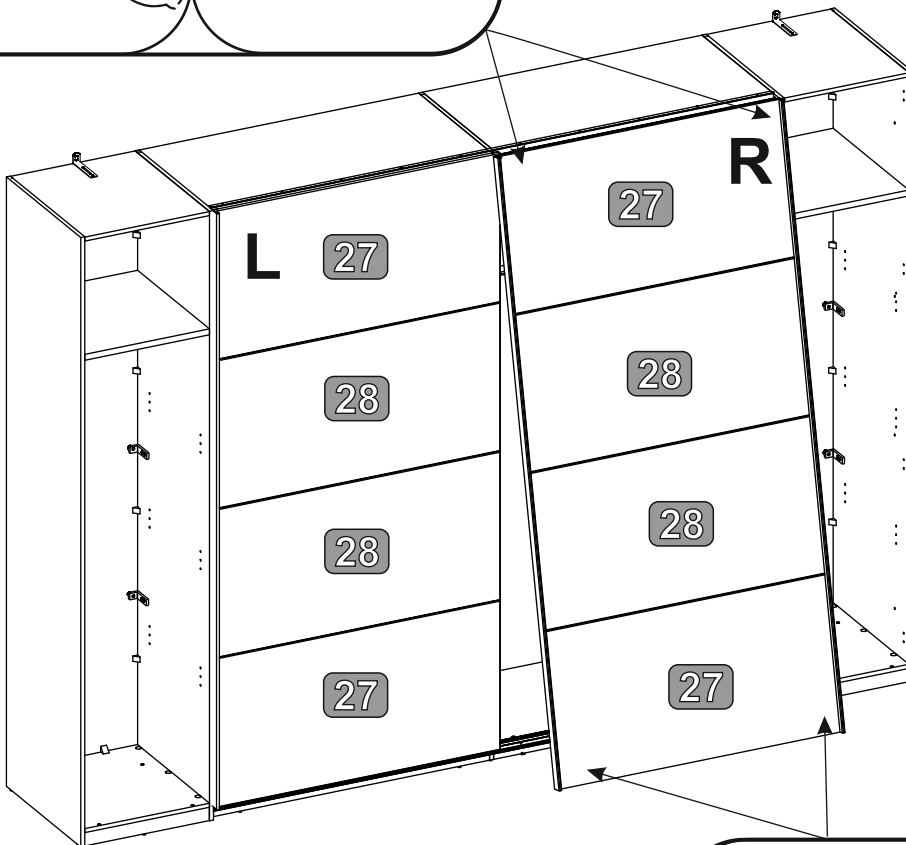
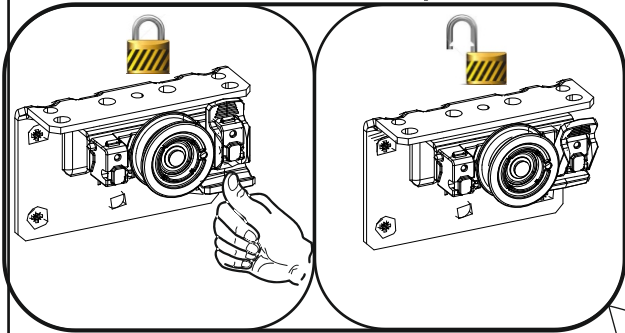
B



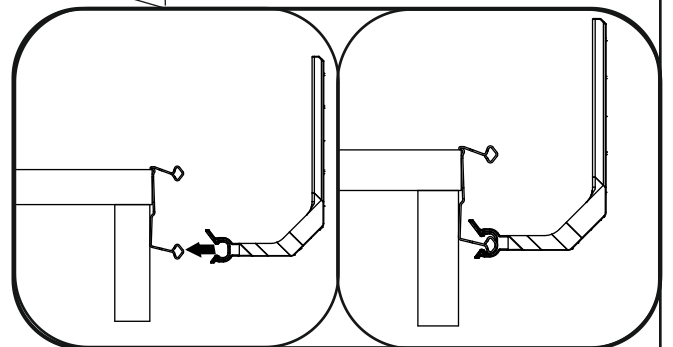
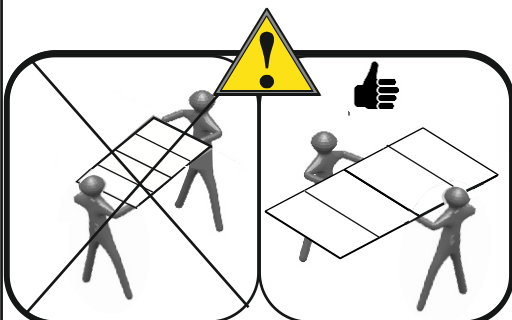
D



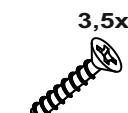
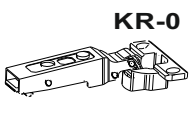
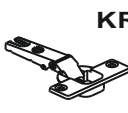
A

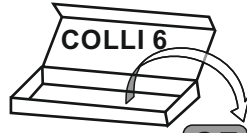


C

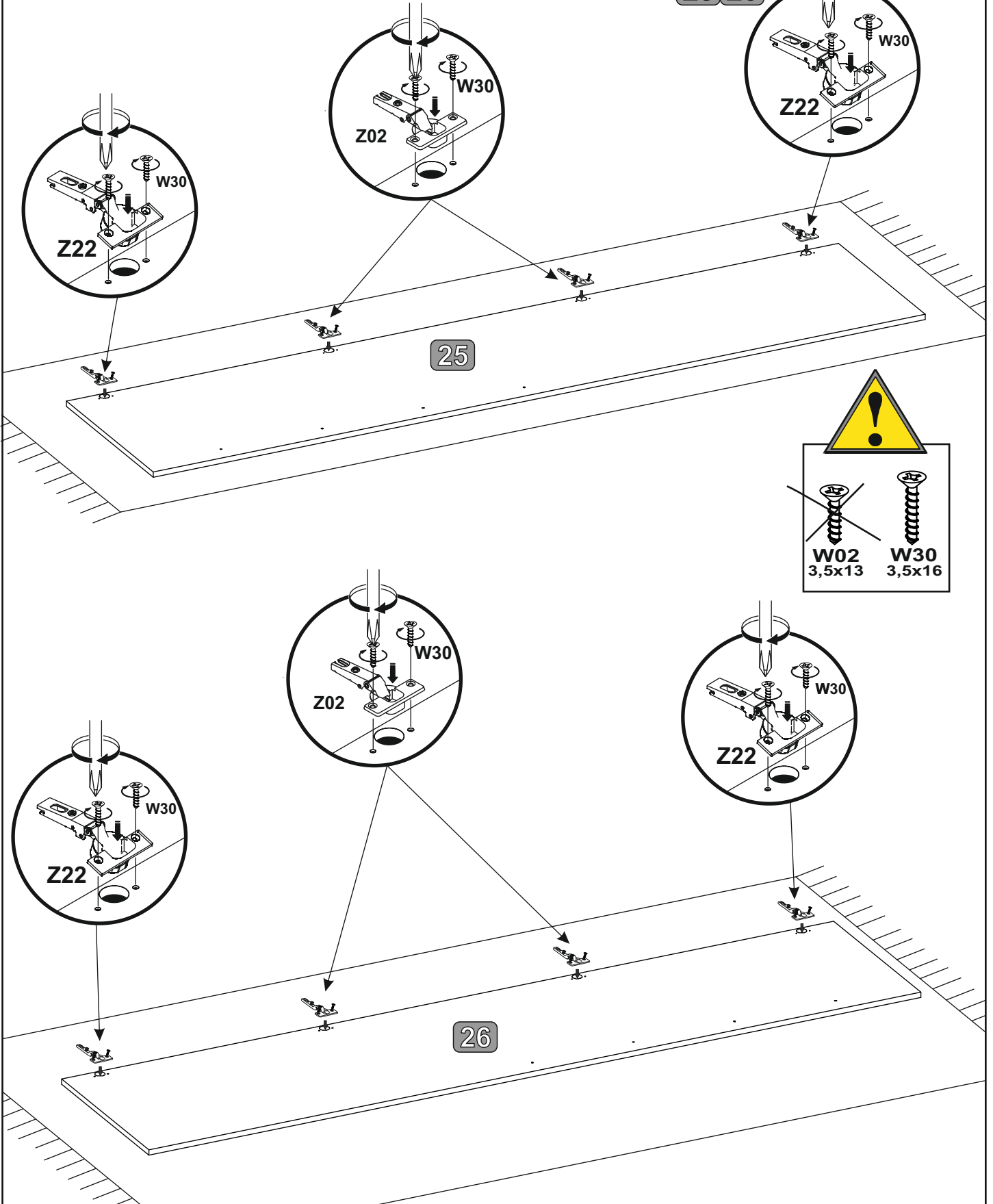


40

 3,5x16 W30	 KR-0 Z22	 KR-0 Z02
16x	4x	4x

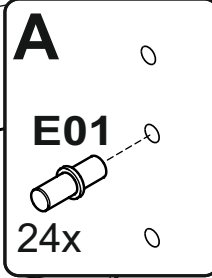
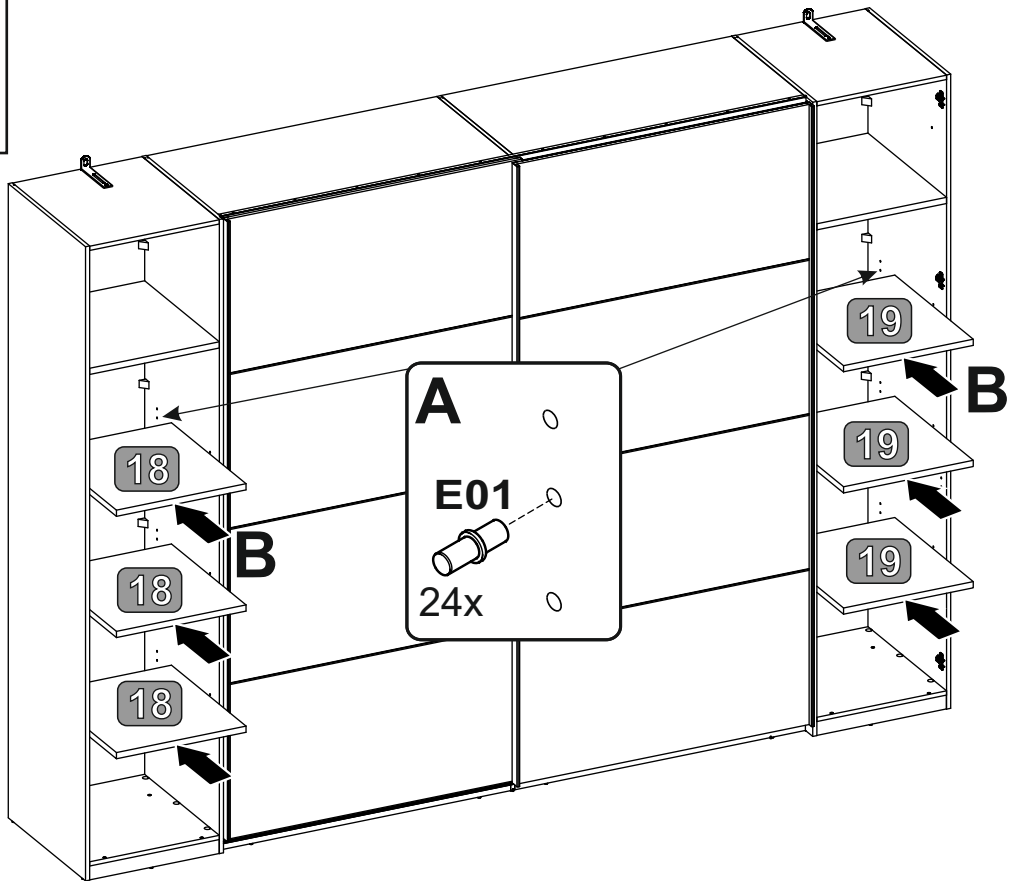
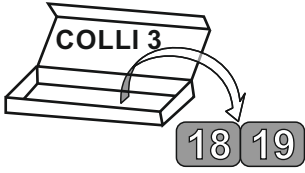


25 26



41

24x E01

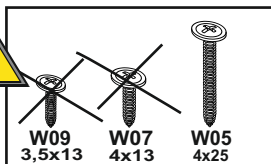
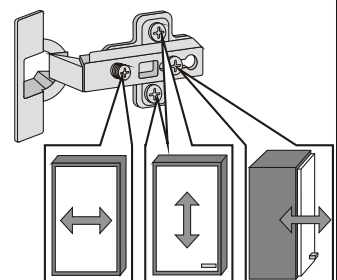
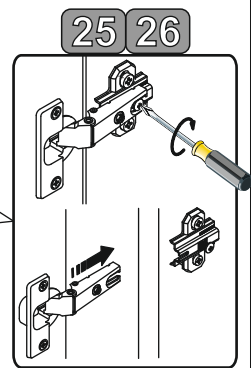
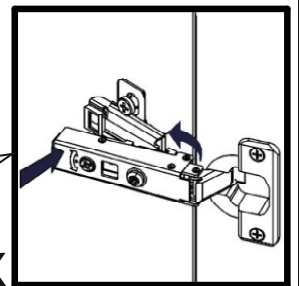
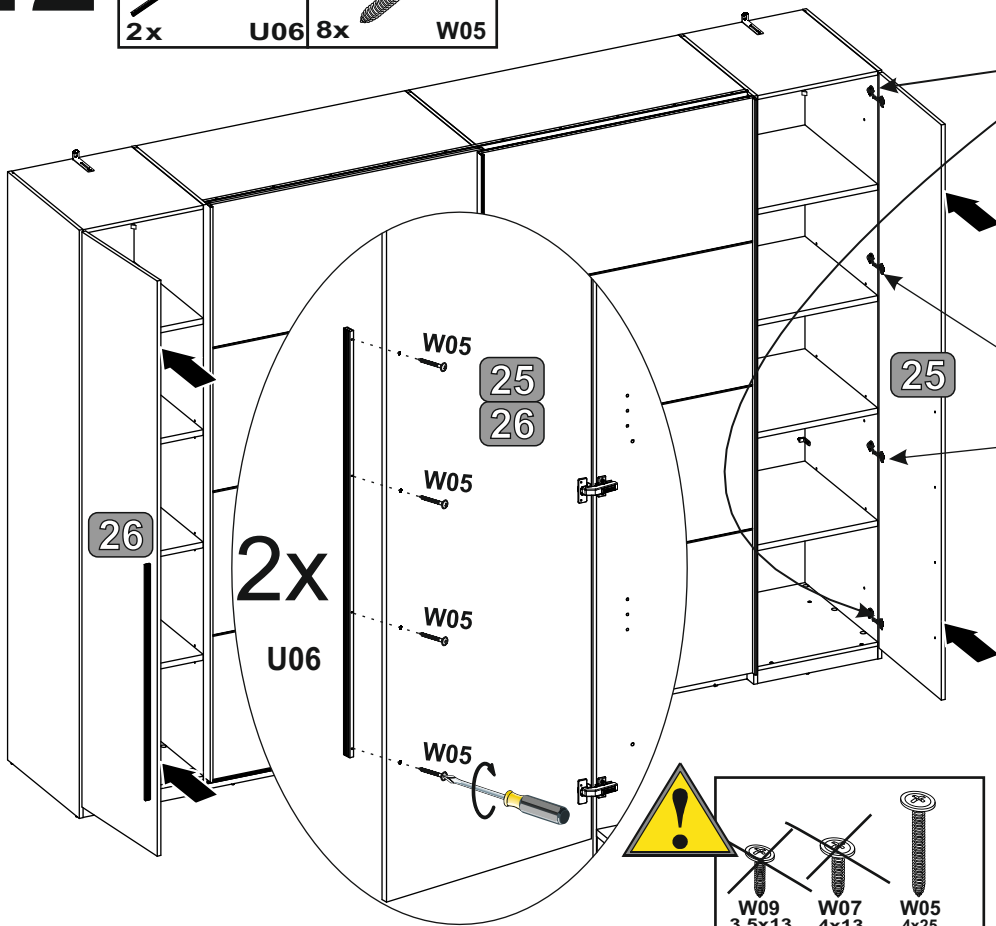


42

2x U06

8x W05

4x25



43

