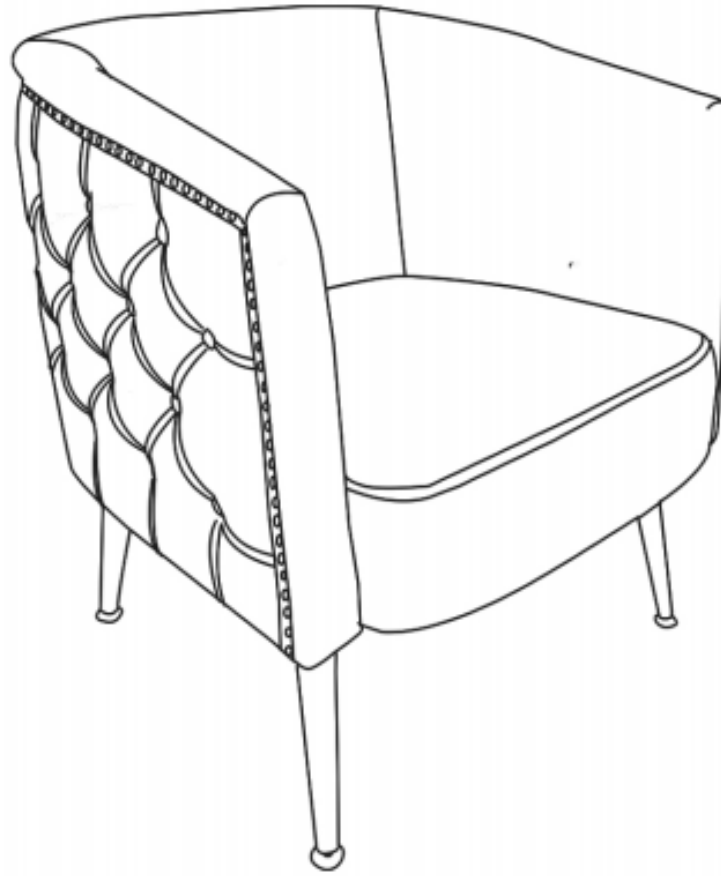


# INSTALLATION INSTRUCTION



## ACCENT CHAIR

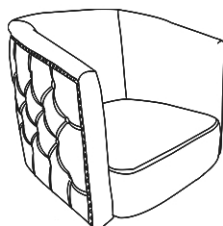
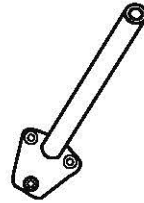
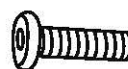


### WARNING

- To avoid the risk of suffocation & foreign-body ingestion, keep children & pets away from the plastic bags & small parts during assembly.
- Before sit on the seat, ensure it has been well settled and securely positioned.
- DO NOT leave children unattended on or beside the chair.
- DO NOT use the chair as a step stool.
- DO NOT sit on the edge of the seat, armrests or the backrest as this could make the chair tip over.
- Requires 2 people for ease of assembly!

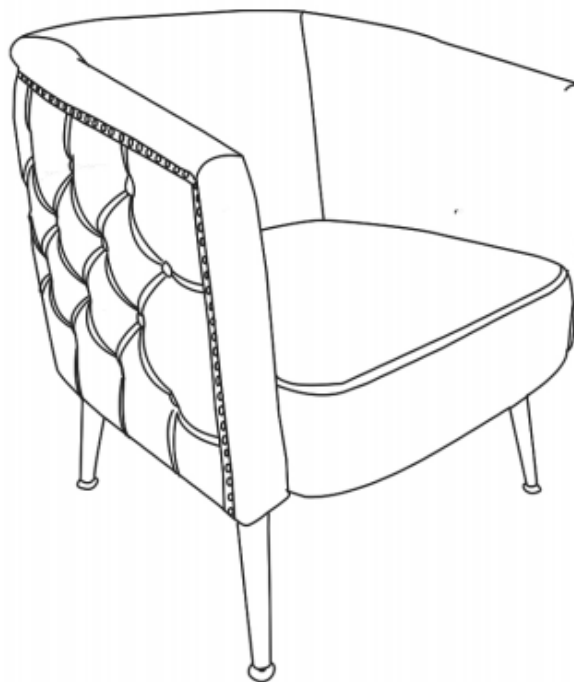
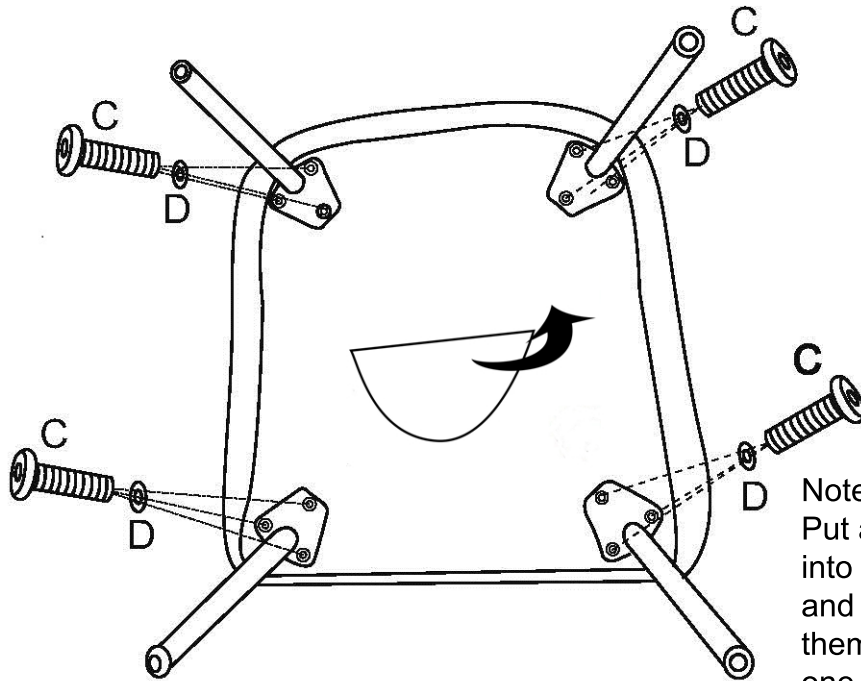
### WARRANTY

- We offer every customer every chair 1-year warranty.
- Any questions or advice, welcome to contact us via [SincereService123@outlook.com](mailto:SincereService123@outlook.com), every email will win a satisfied & prompt response.

# PART & INSTALLTION STEPS

<b>(A) X1</b> 	<b>(B) X4</b> 	<b>(C) X12</b> 	<b>(D) X12</b> 	<b>(E) X1</b> 
--	--	---	---	--

1. There is a zipper at the bottom of the product. Please open it and take out foot .



## CARE & MAINTENANCE

- Do not wash, bleach, tumble dry, iron, dry clean.
- Vacuum clean.
- Wipe clean with a damp cloth.
- To prevent fading, keep fabric out of direct sunlight.