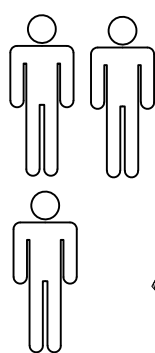
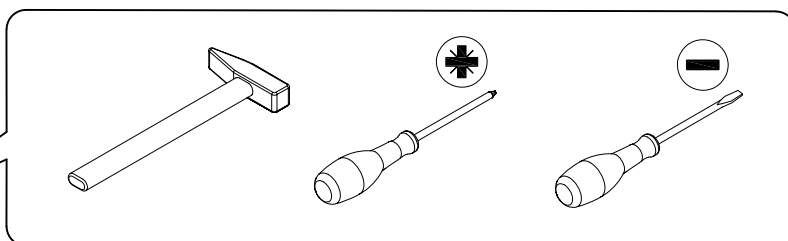
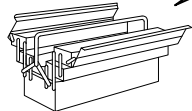


- |                                  |                              |
|----------------------------------|------------------------------|
| (D) Montageanleitung             | (GB) Assembly instructions   |
| (FR) Notice de montage           | (IT) Istruzioni di montaggio |
| (NL) Handleiding voor de montage | (PL) Instrukcja montażu      |
| (CZ) Montážní návod              | (SK) Návod na montáž         |
| (HU) Szerelési útmutató          | (RO) Instrucțiuni de montaj  |
| (TR) Montaj talimatları          | (RU) Инструкция по монтажу   |



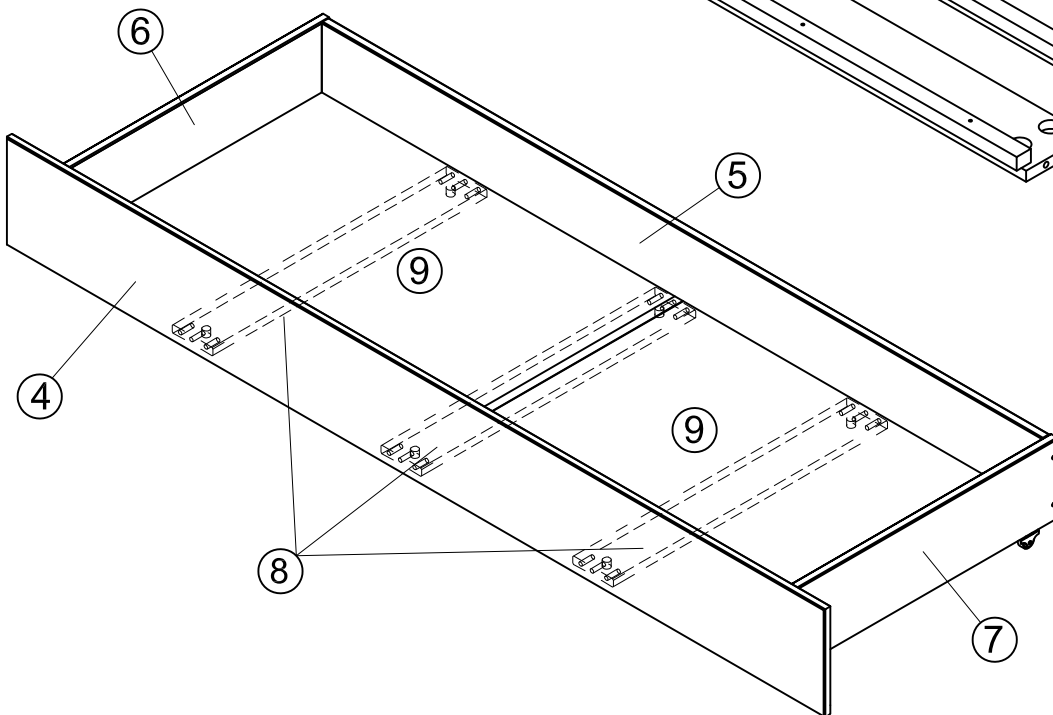
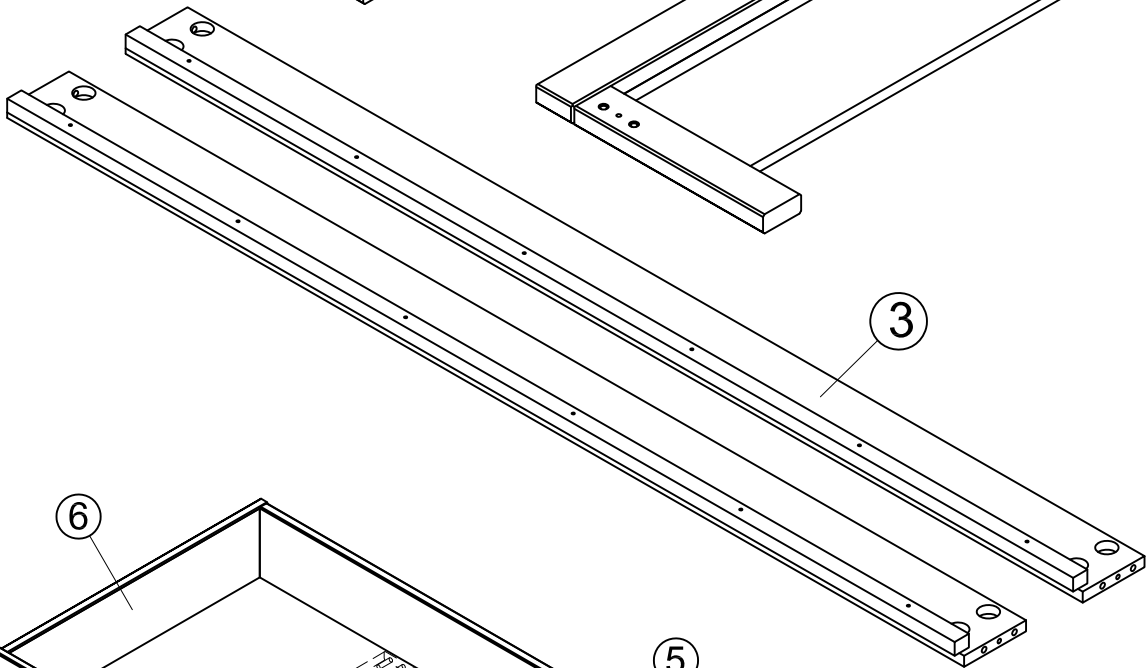
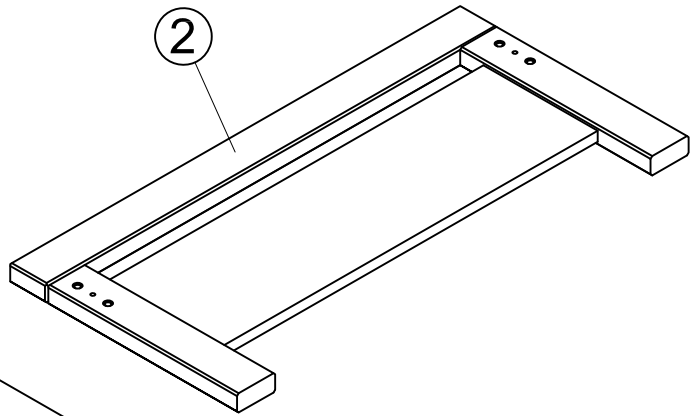
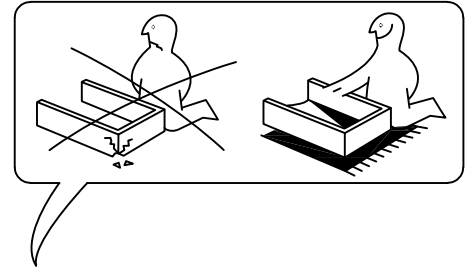
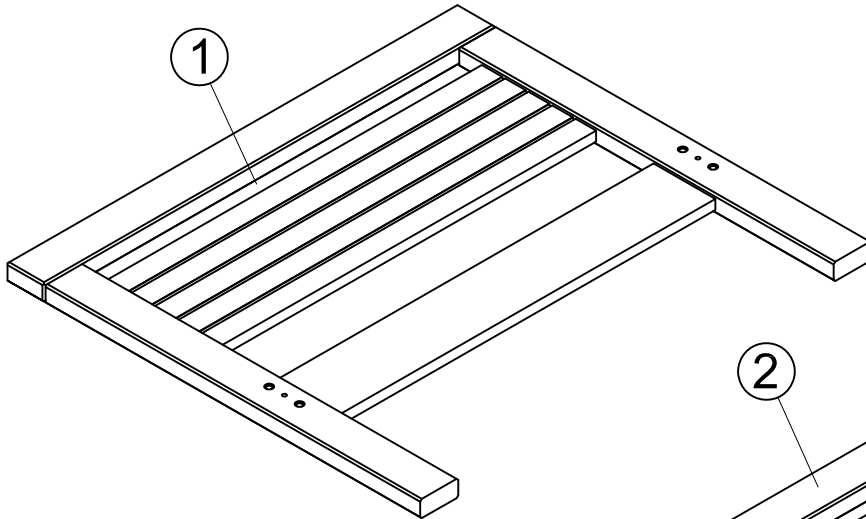
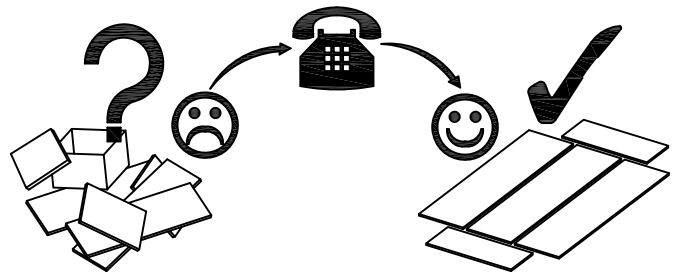
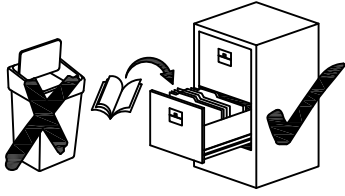
50 min

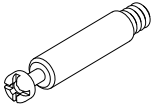

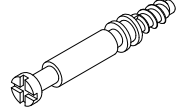
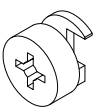



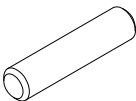

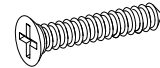
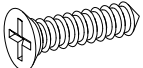
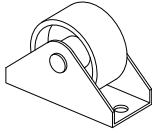



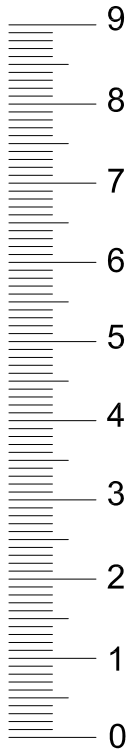
Name • Nom • Nome • Naam • Nazwa • Jaméno  
• Názov • Név • Denumire • Isim • Название

Nr. • No. • N° • Номер • Č • Sz

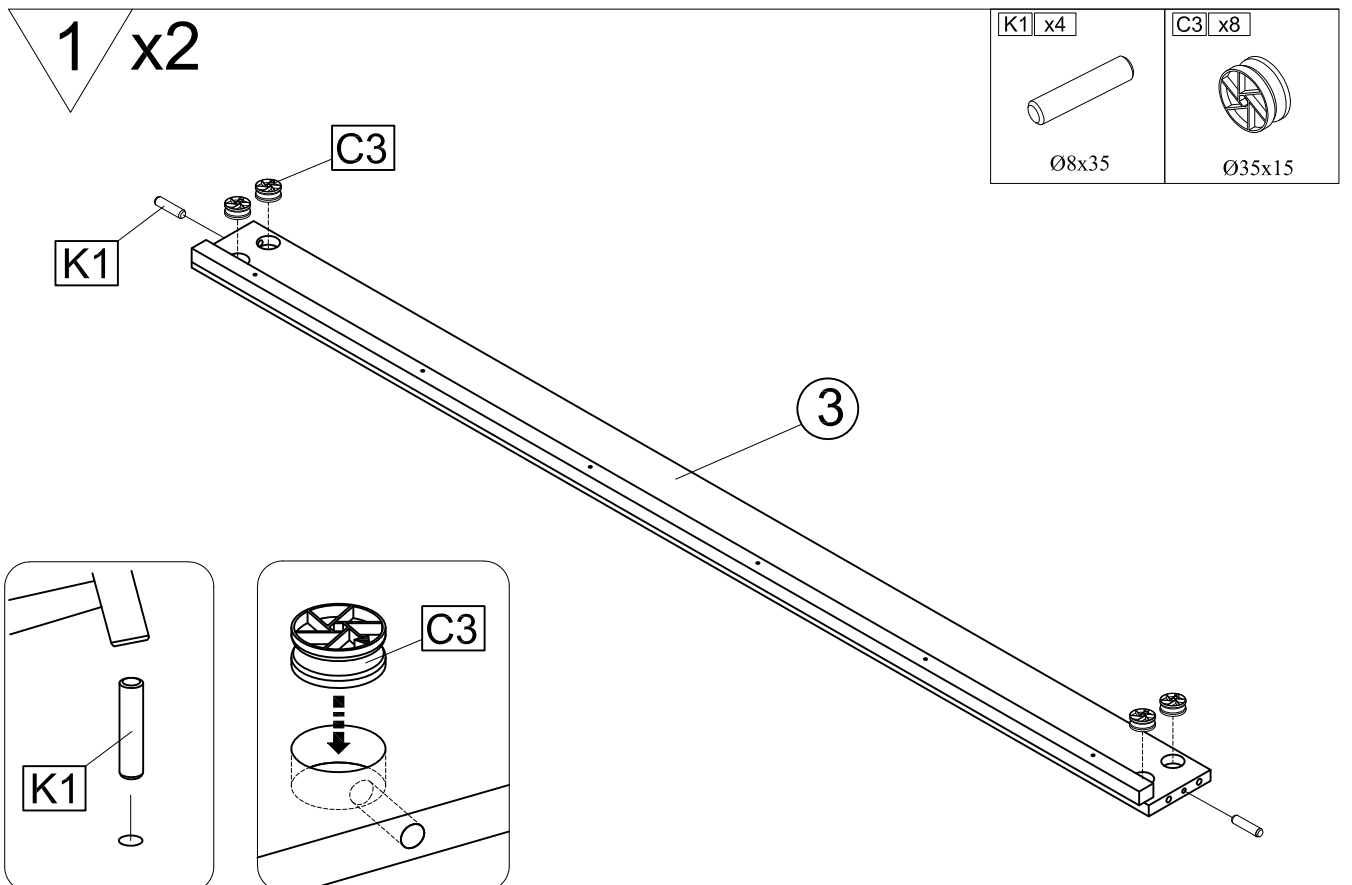
Typ • Type • Tip • Tipus • Tipo • Тип



<b>B3</b> x8  Ø9x58 M8x9.5	<b>C3</b> x8  Ø35x15	<b>B1</b> x10 	<b>C1</b> x4  Ø15	<b>C2</b> x6  Ø12	<b>O1</b> x1  k4 mm	<b>O2</b> x1  k6 mm
<b>K1</b> x24  Ø8x35	<b>Y1</b> x1  L=599	<b>J6</b> x4  4x50	<b>J2</b> x8  4x16	<b>R5</b> x4 	<b>R1</b> x4 	



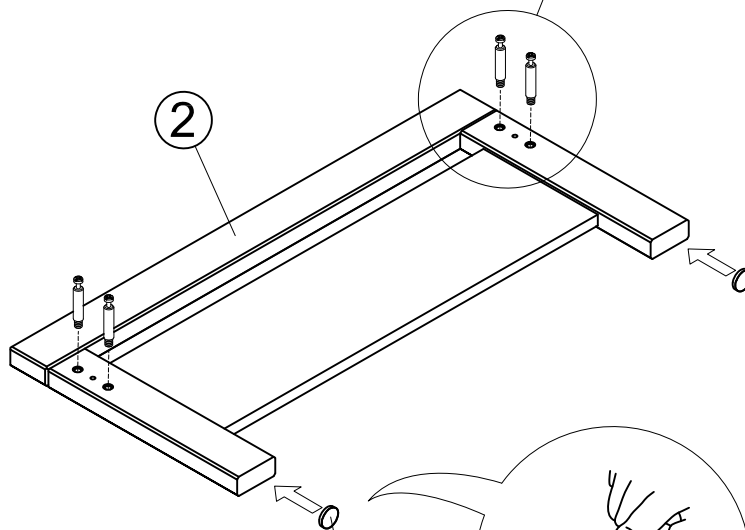
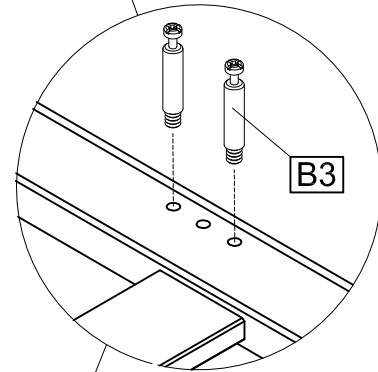
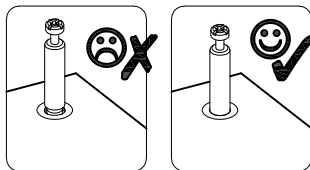
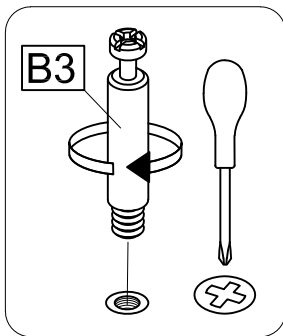
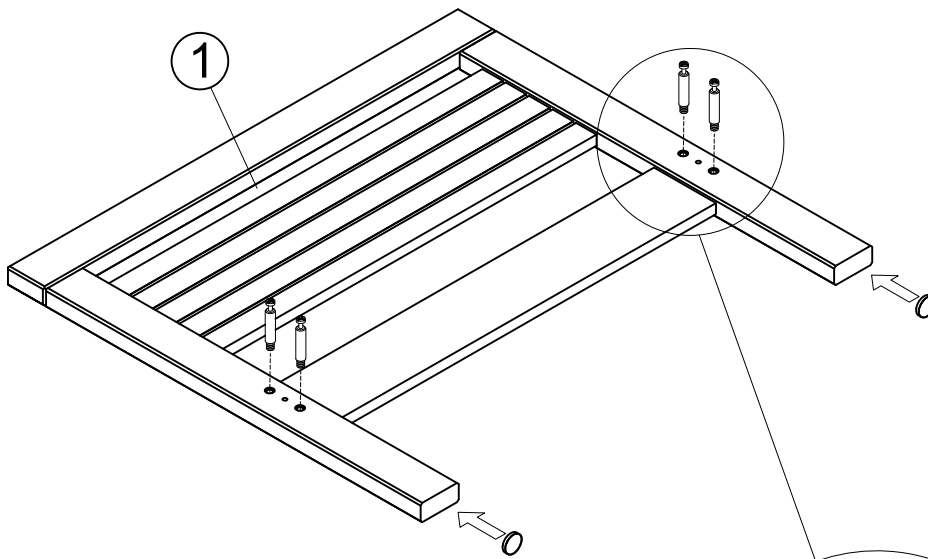
No	Size/MaB	Qty	✓
1	990x870x35	1	
2	990x480x35	1	
3	2010x140x45	2	
4	2002x232x20	1	
5	1742x186x20	1	
6	620x186x20	1	
7	620x186x20	1	
8	600x86x20	3	
9	876x612x3.2	2	



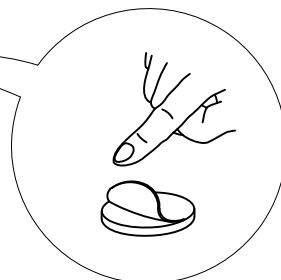
2

B3 x8  
Ø9x58 M8x9.5

R1 x4



R1

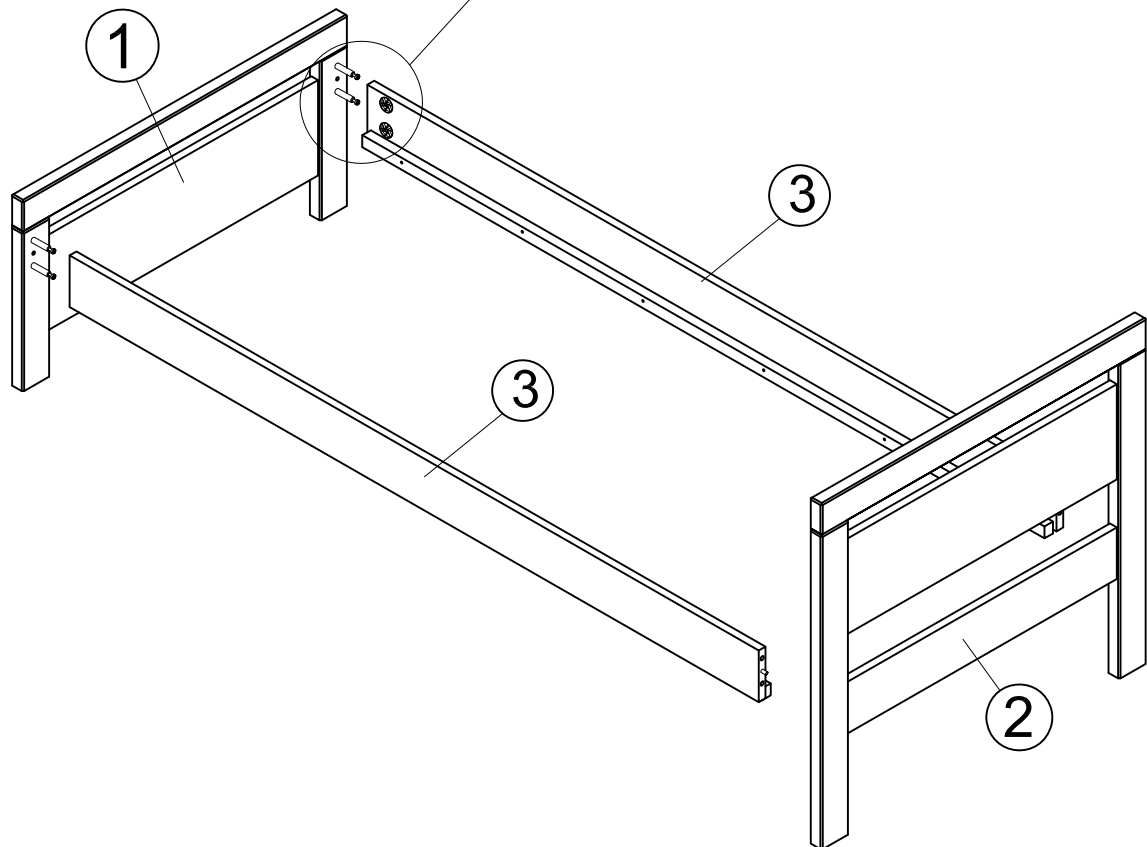
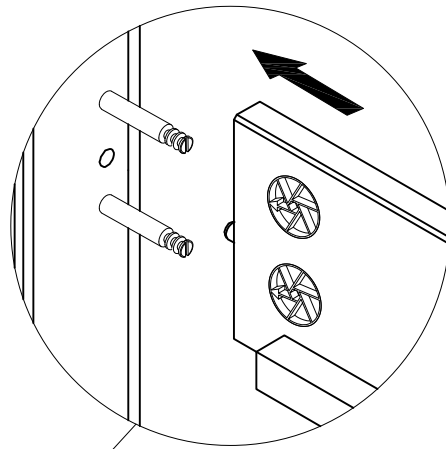
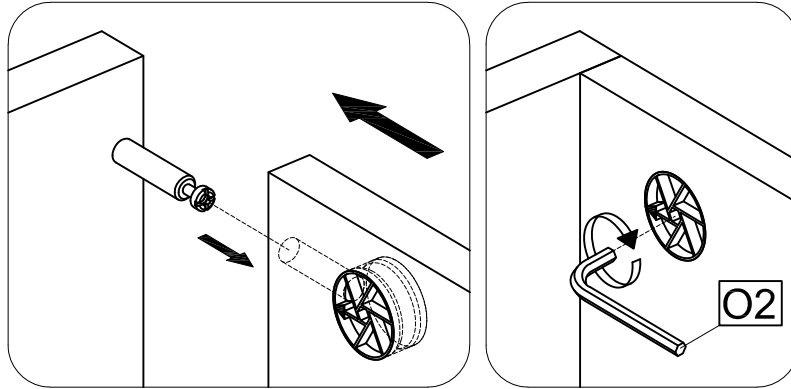


3

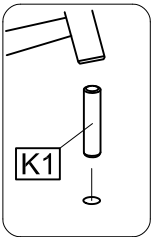
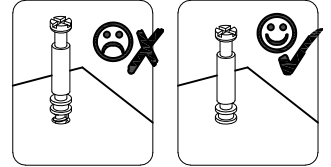
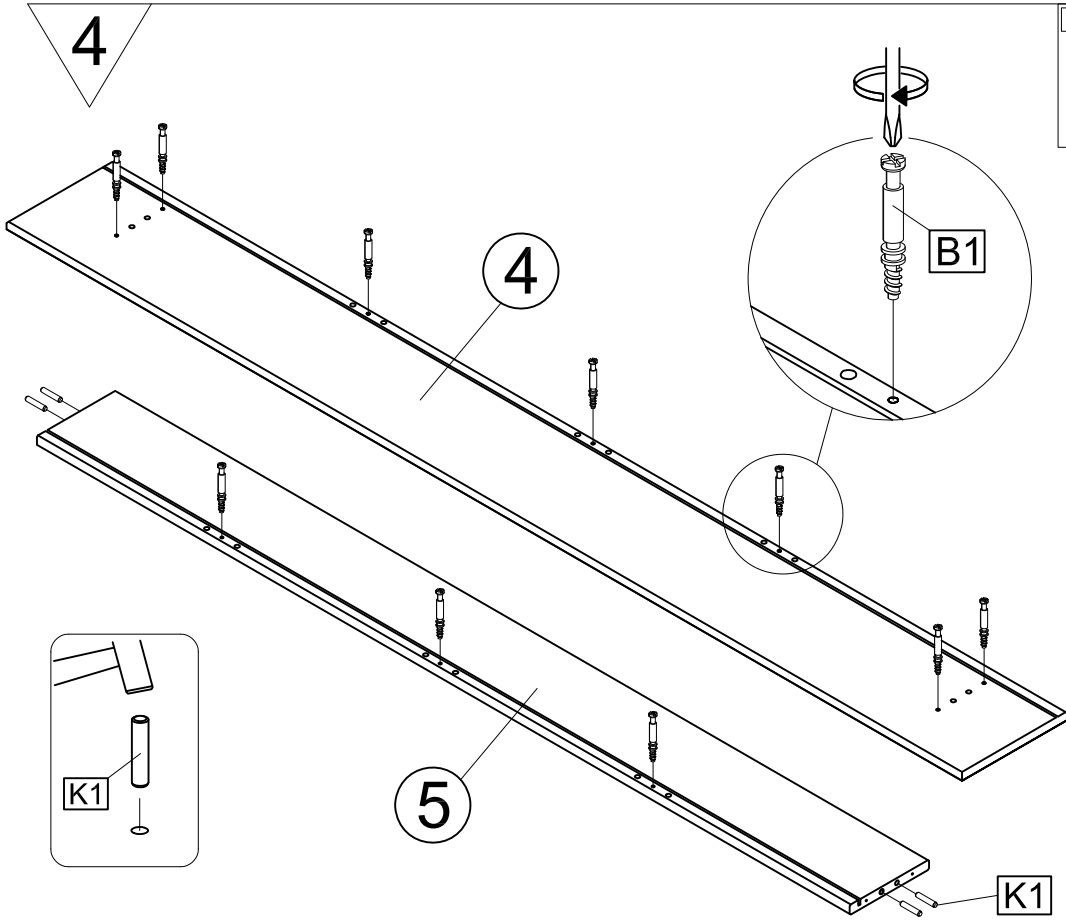
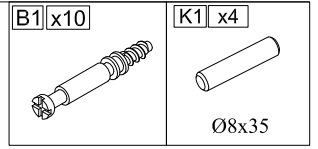
O2 x1



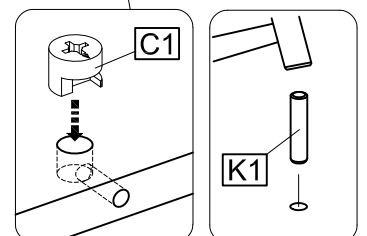
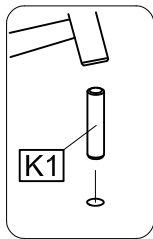
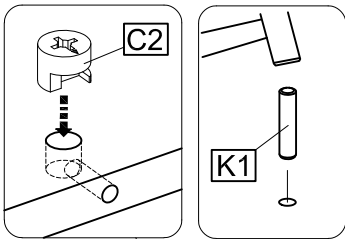
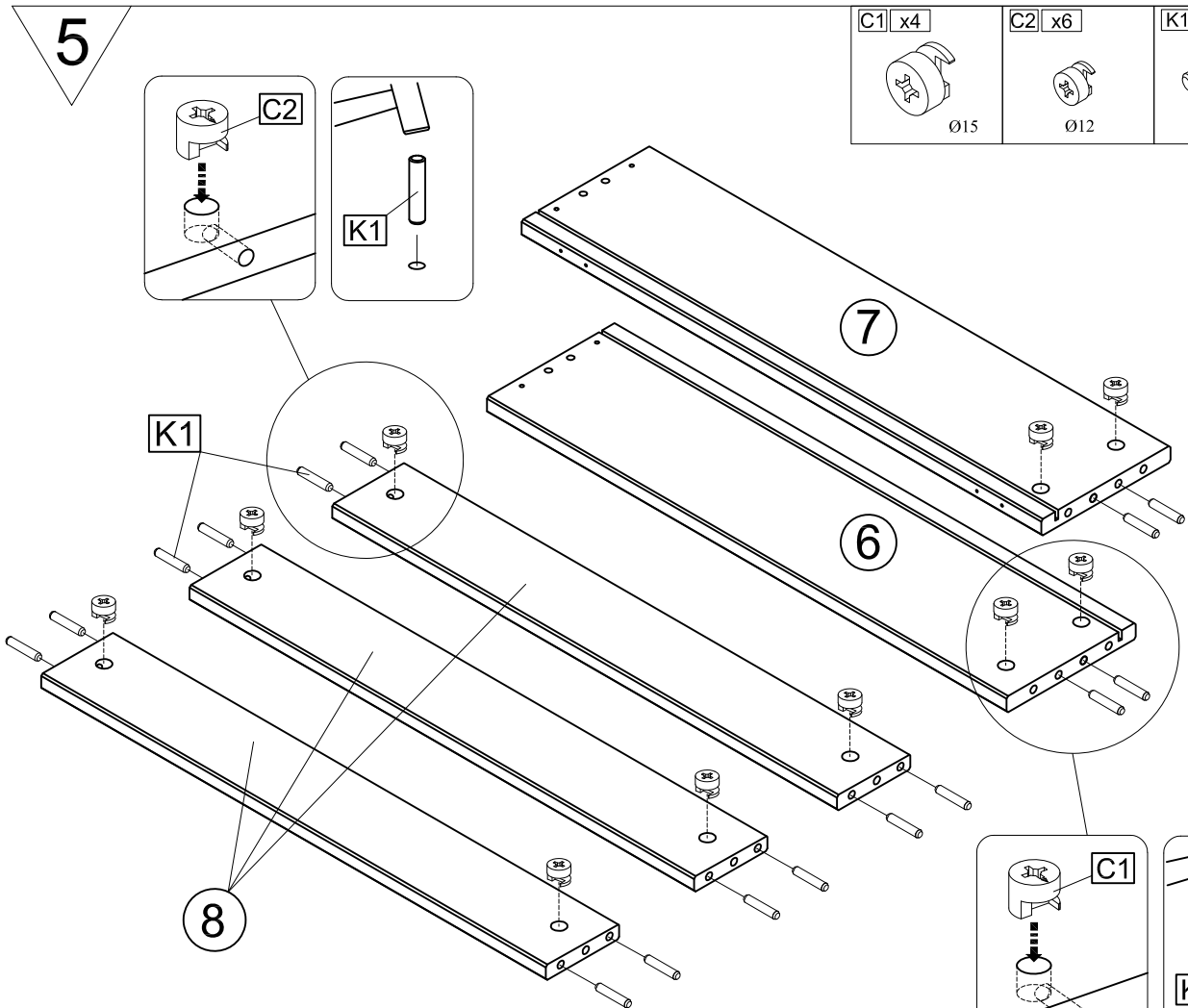
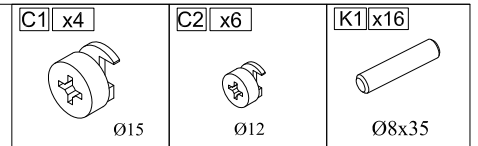
k6 mm



4



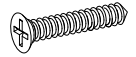
5



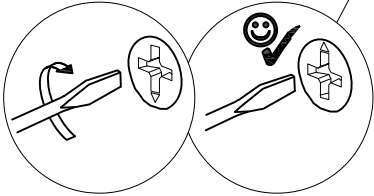
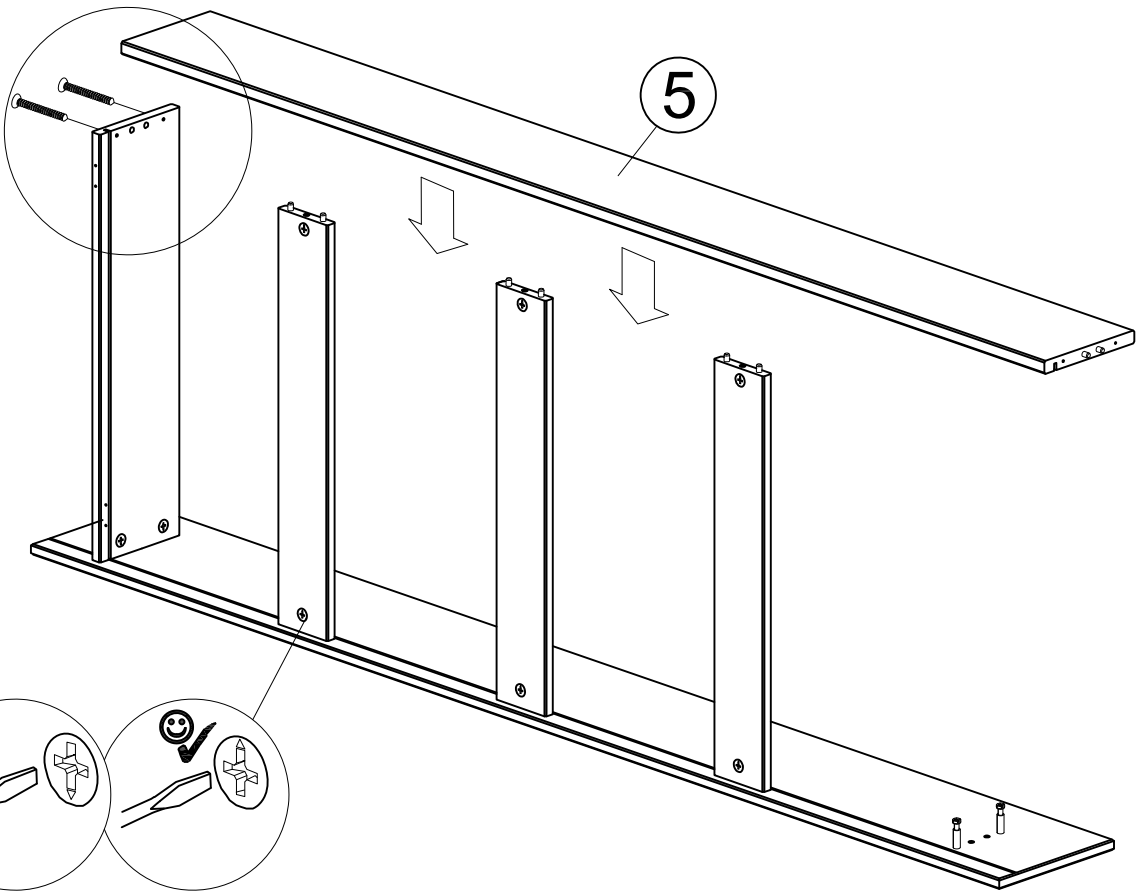
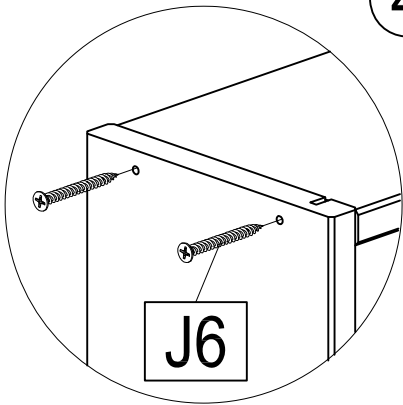
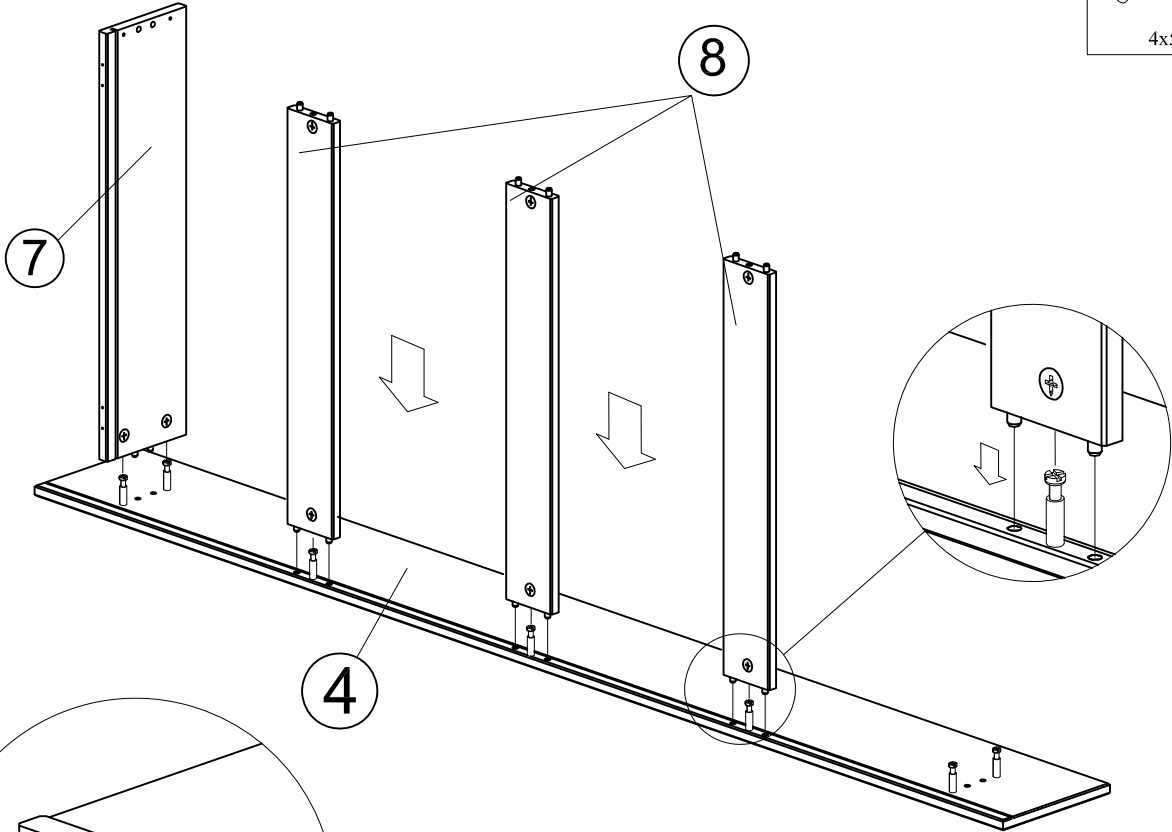
6

6

J6 x2

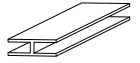


4x50

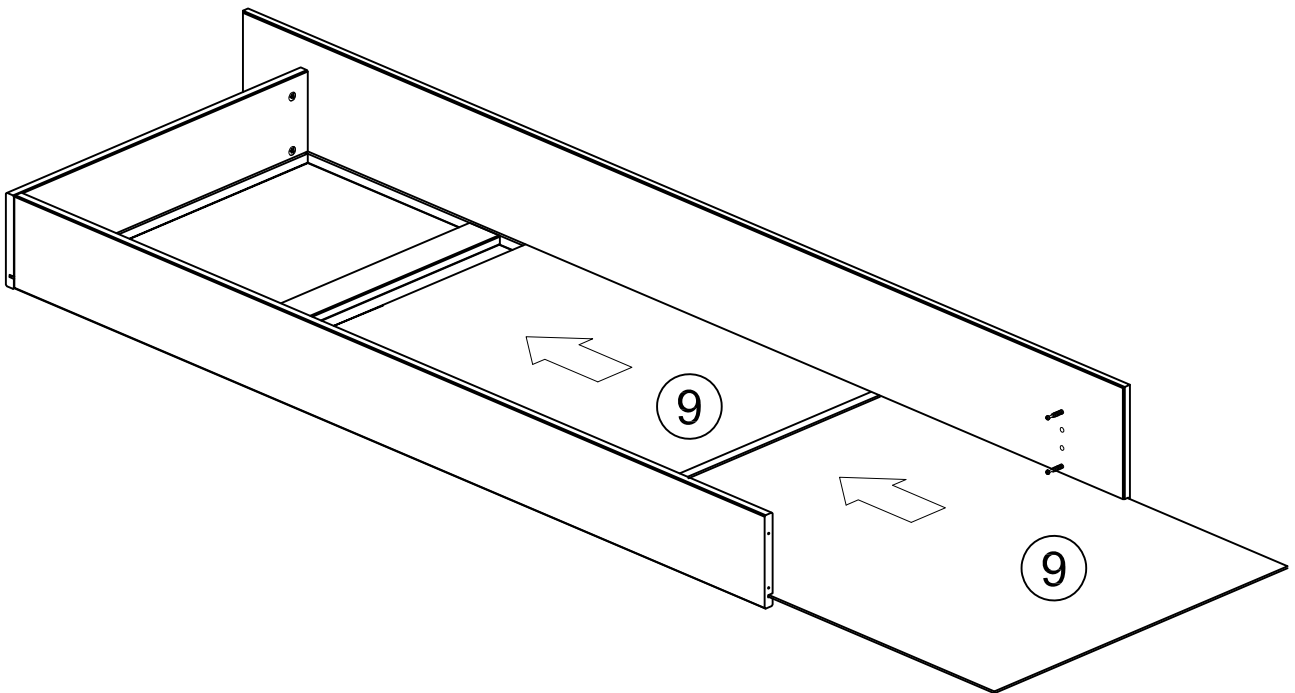
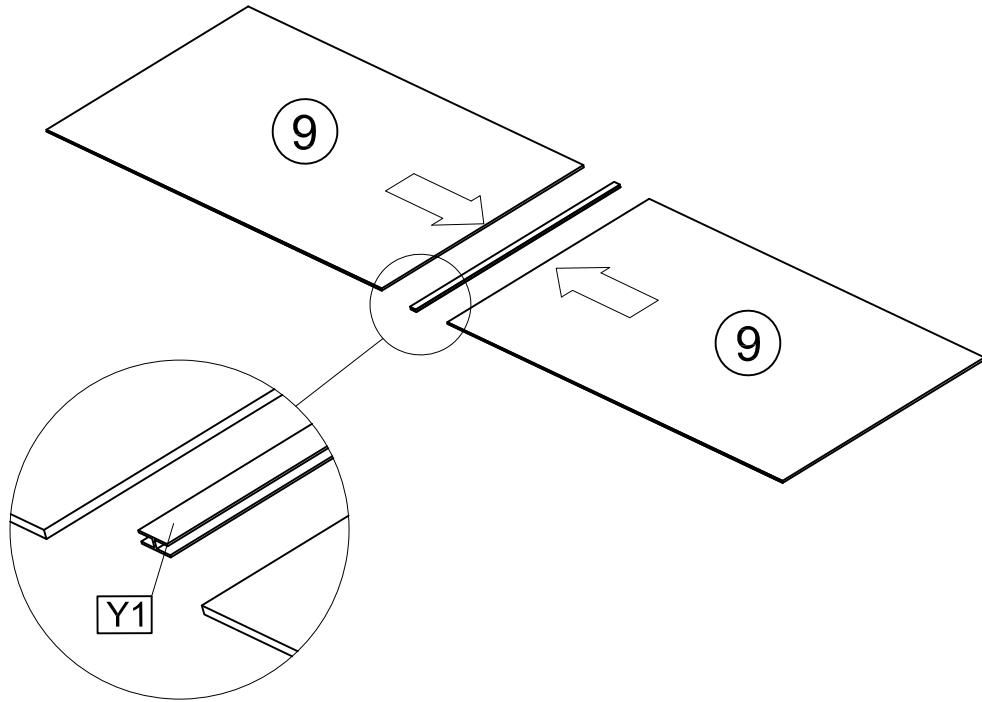


7

Y1 x2



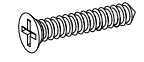
L=599



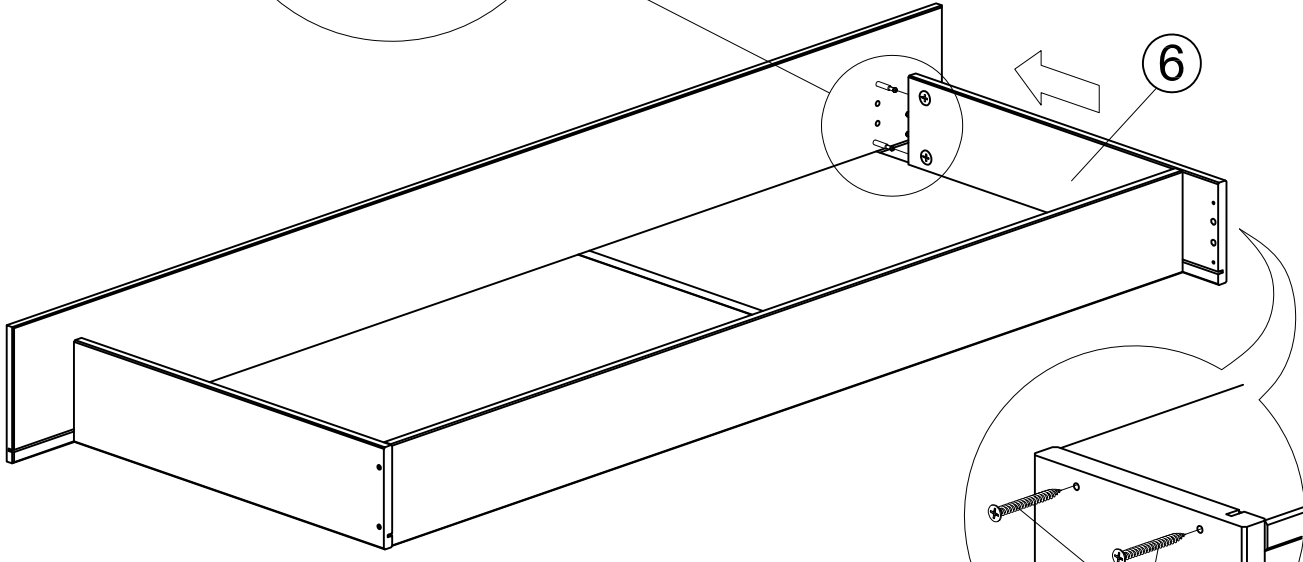
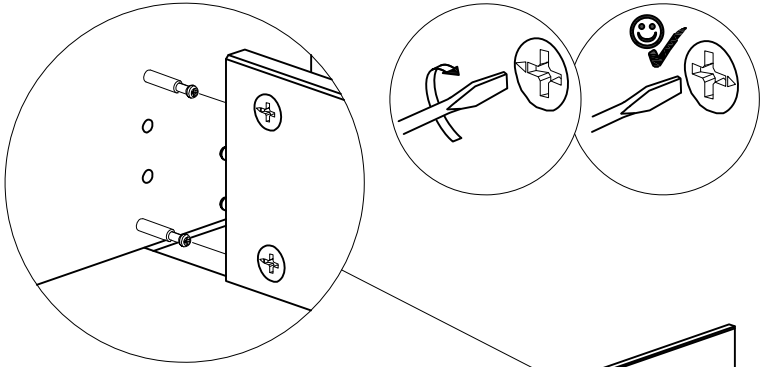


8

J6 x2



4x50



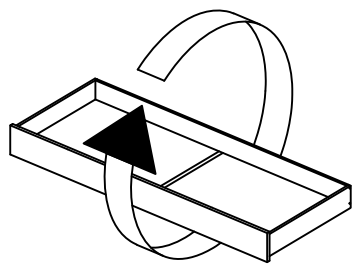
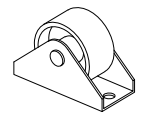
9

J2 x8



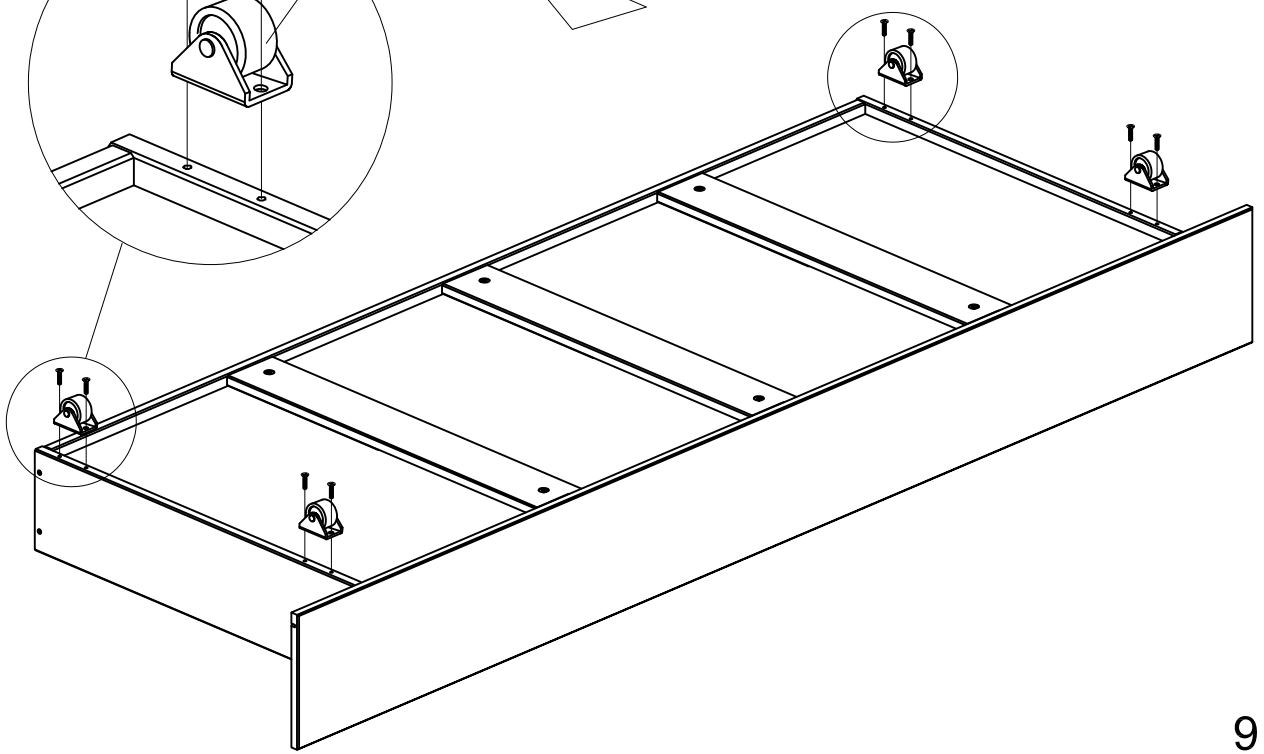
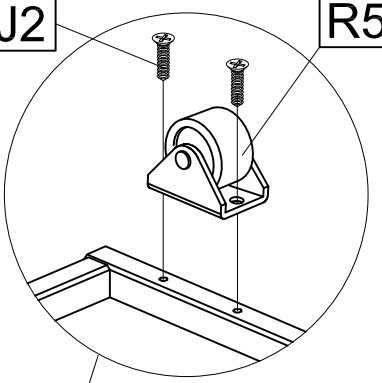
4x16

R5 x4

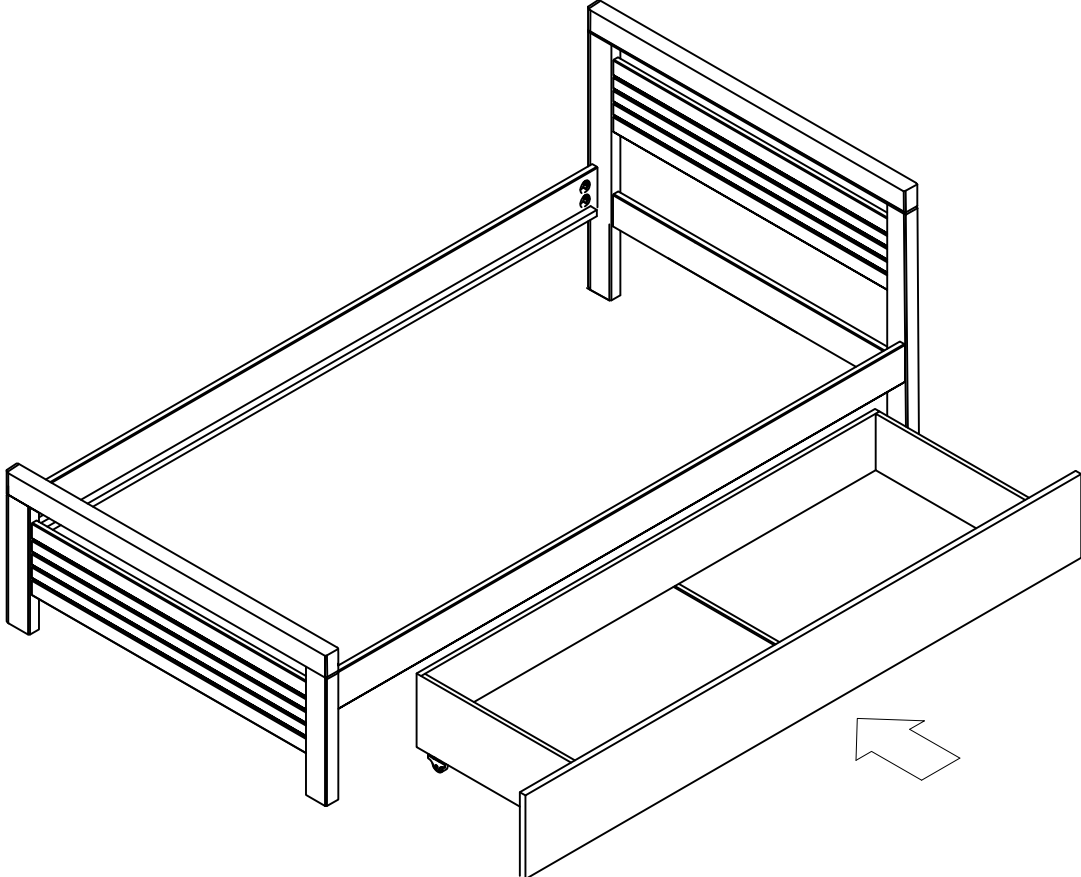


J2

R5



9



---

---

---

---

---

---

---

---

---

---