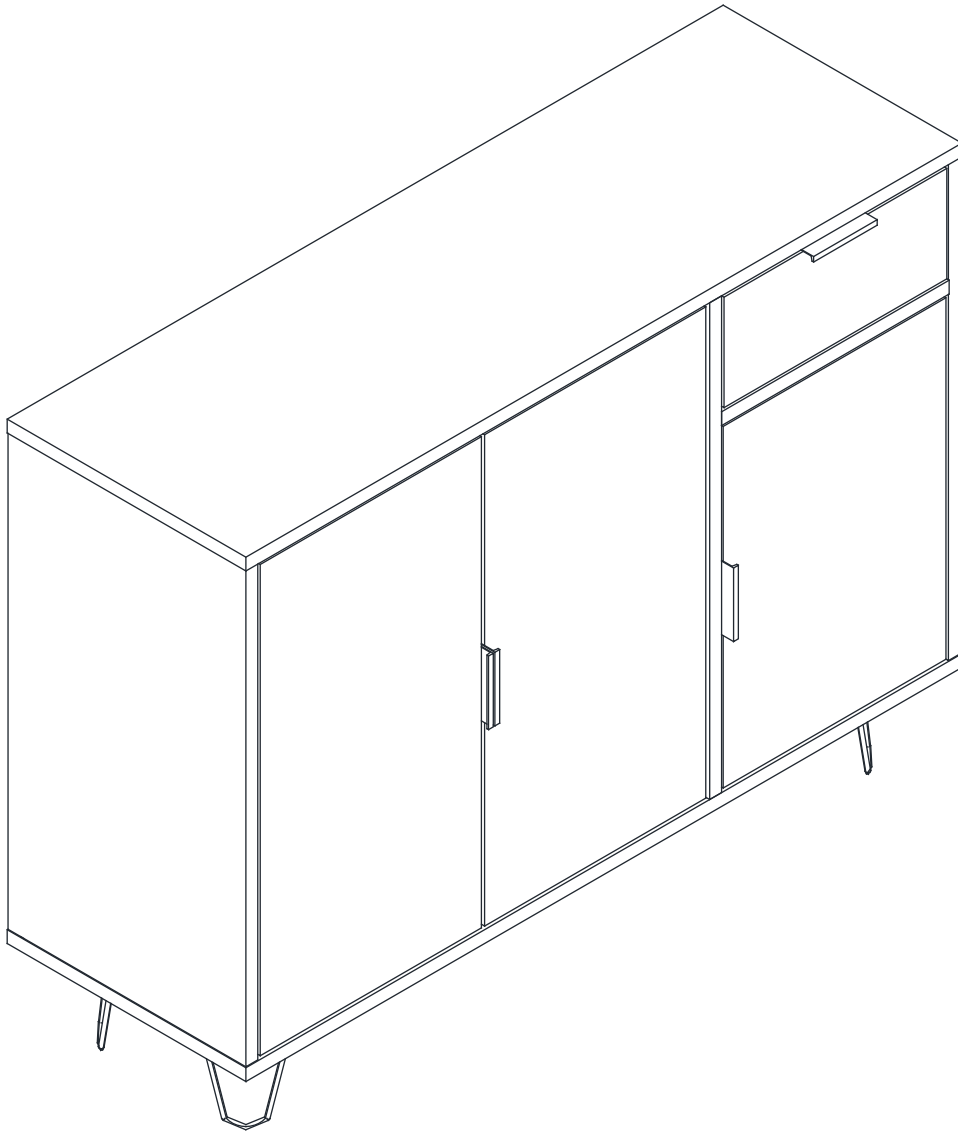


# Installation Instruction



# Assembling

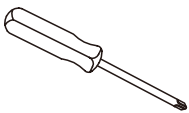
Estimated time for assembly



**30 : 00**

## What you need

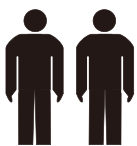
- Use the packaging carton as a working surface to prevent product damage during assembly
- Phillips head screwdriver



## Weight Limitation



**40** | **11**  
lbs table top | lbs per shelf



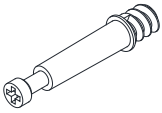
2 PERSONS

# What's included

Code	Description	Qty
A	Cam Bolt M6X35MM	12
B	Cam Lock 15X10MM	12
C	Screw M4X35MM	10
D	Wooden Dowel M6X30MM	14
E	Screw M4X14MM	20
F	Screw M4X14MM	44
G	Screw M3X14MM	8
H	Screw M3X12MM	8
I	Plastic corner support	4
J	Handle	4
K	Slide sets	1
L	Magnetic Door Catcher	2
M	Metal Support	4
N	Hinge	6

# The Hardwares

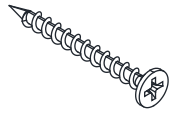
A



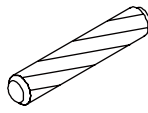
B



C



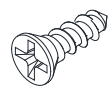
D



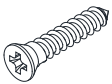
E



F



G



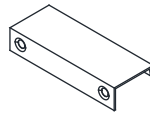
H



I



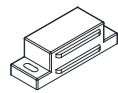
J



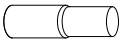
K



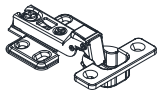
L



M



N



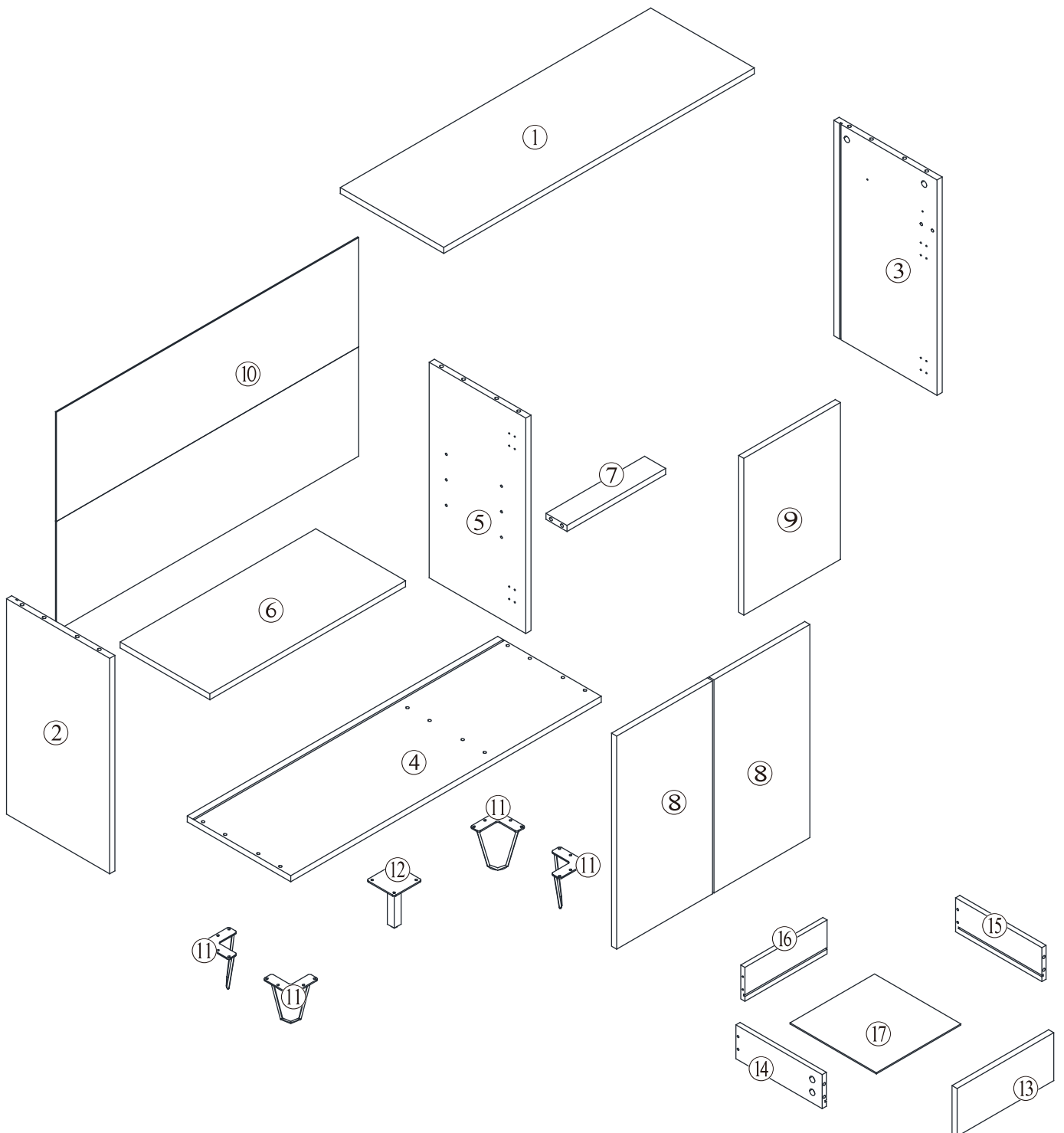
## IMPORTANT:

1. Do not tighten bolts / screws completely until all bolts / screws are lined up and inserted into holes.
2. Do not over tighten screws and bolts to avoid stripping.
3. Please use hand tools to assemble this product. Do not use power tools.

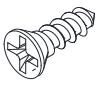



2 PERSONS

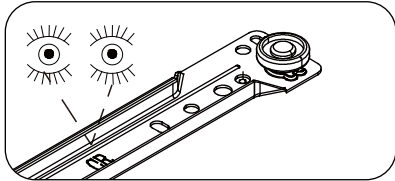
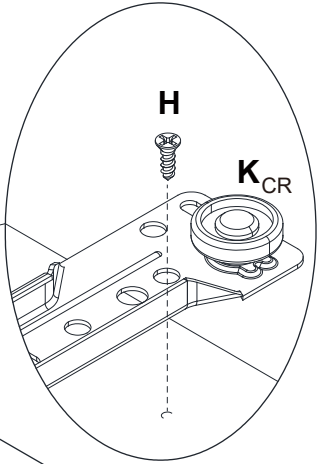
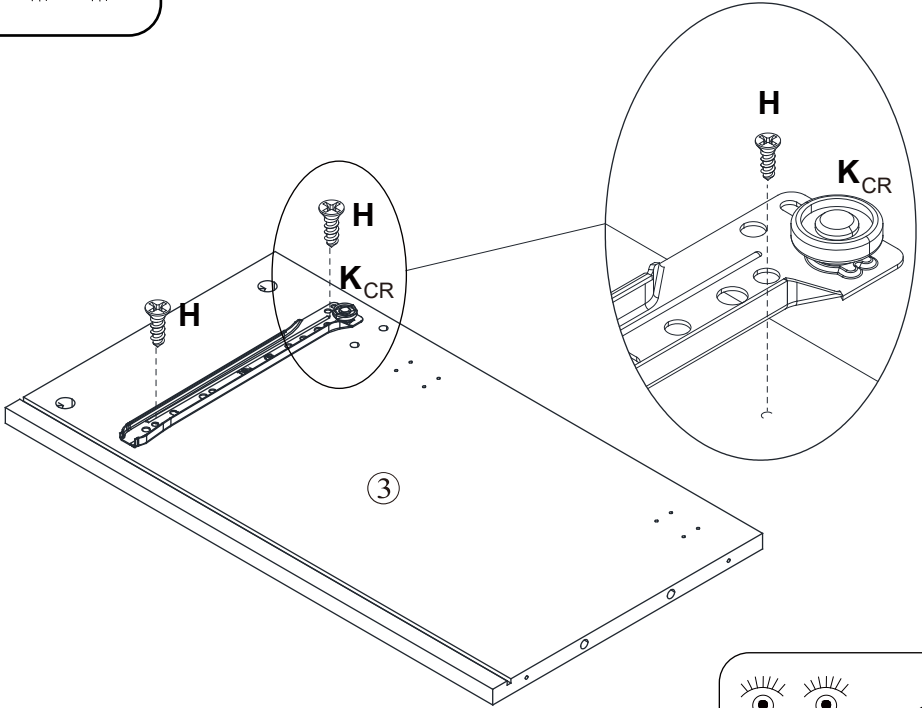
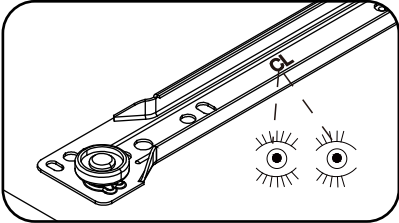
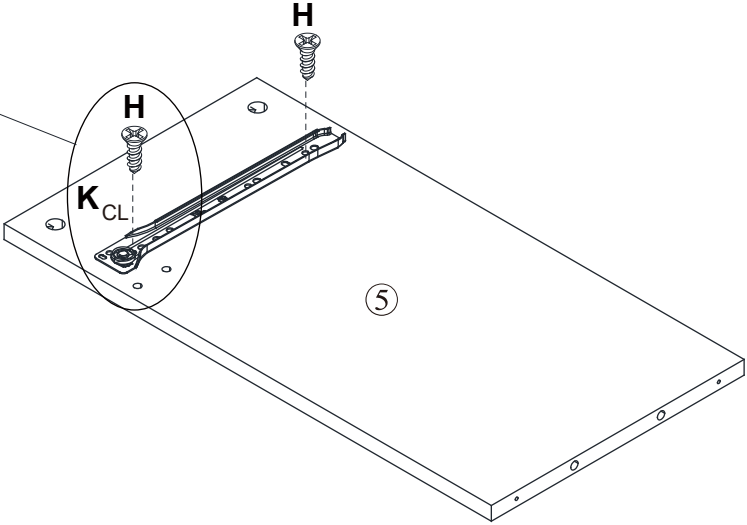
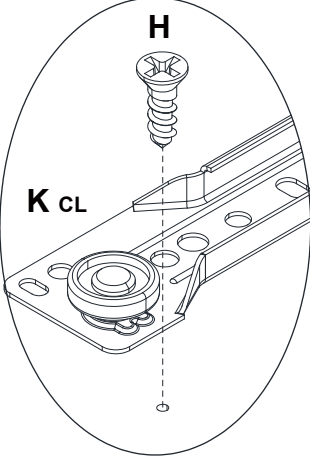
# Included Accessories



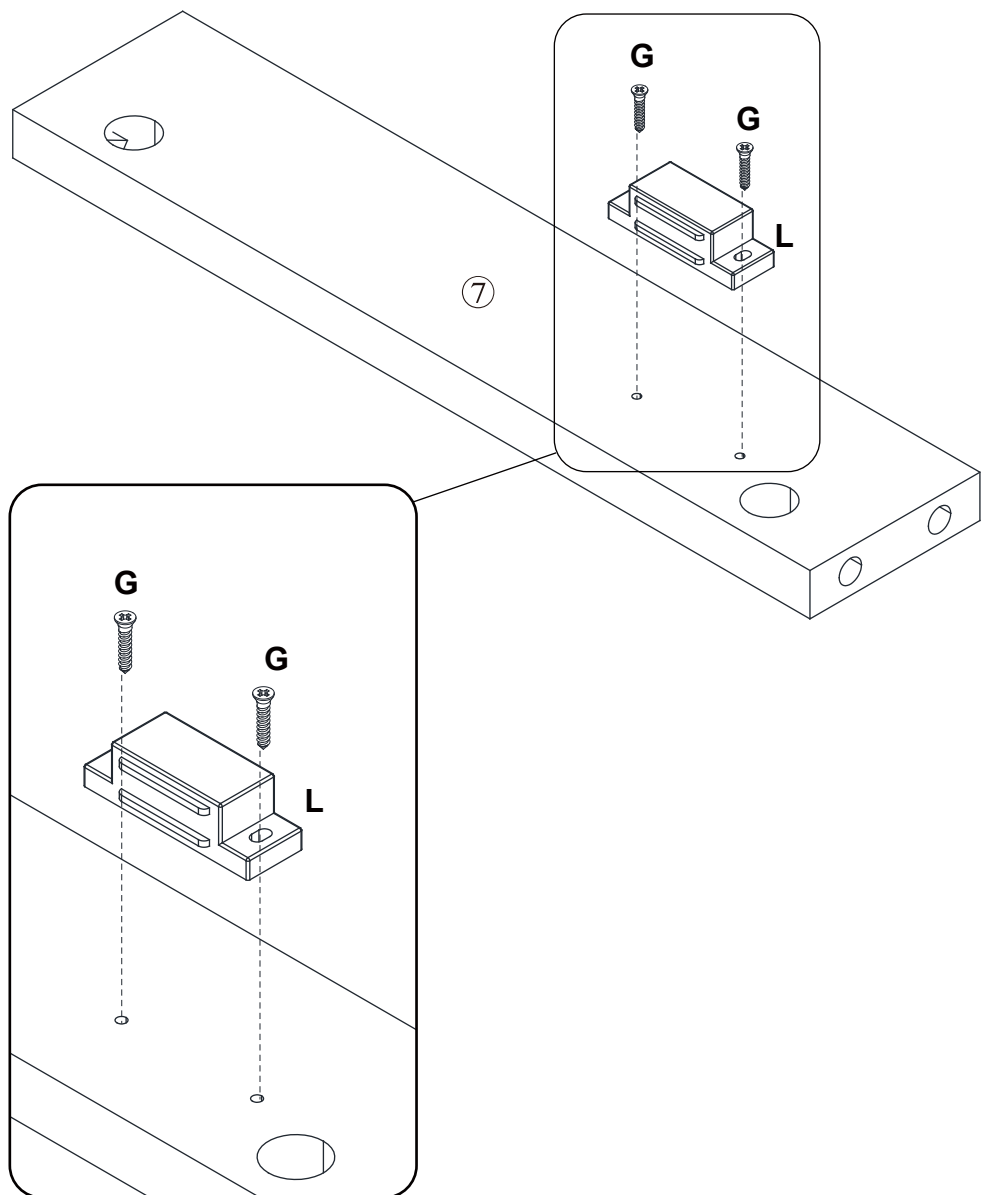
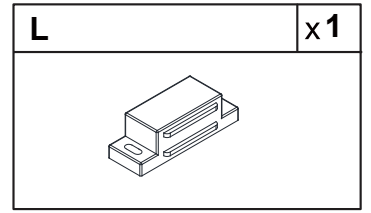
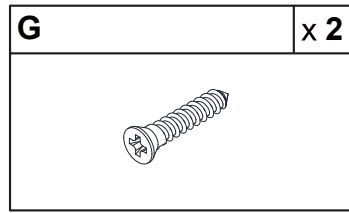
# Step 1

<b>H</b>	<b>x4</b>
	

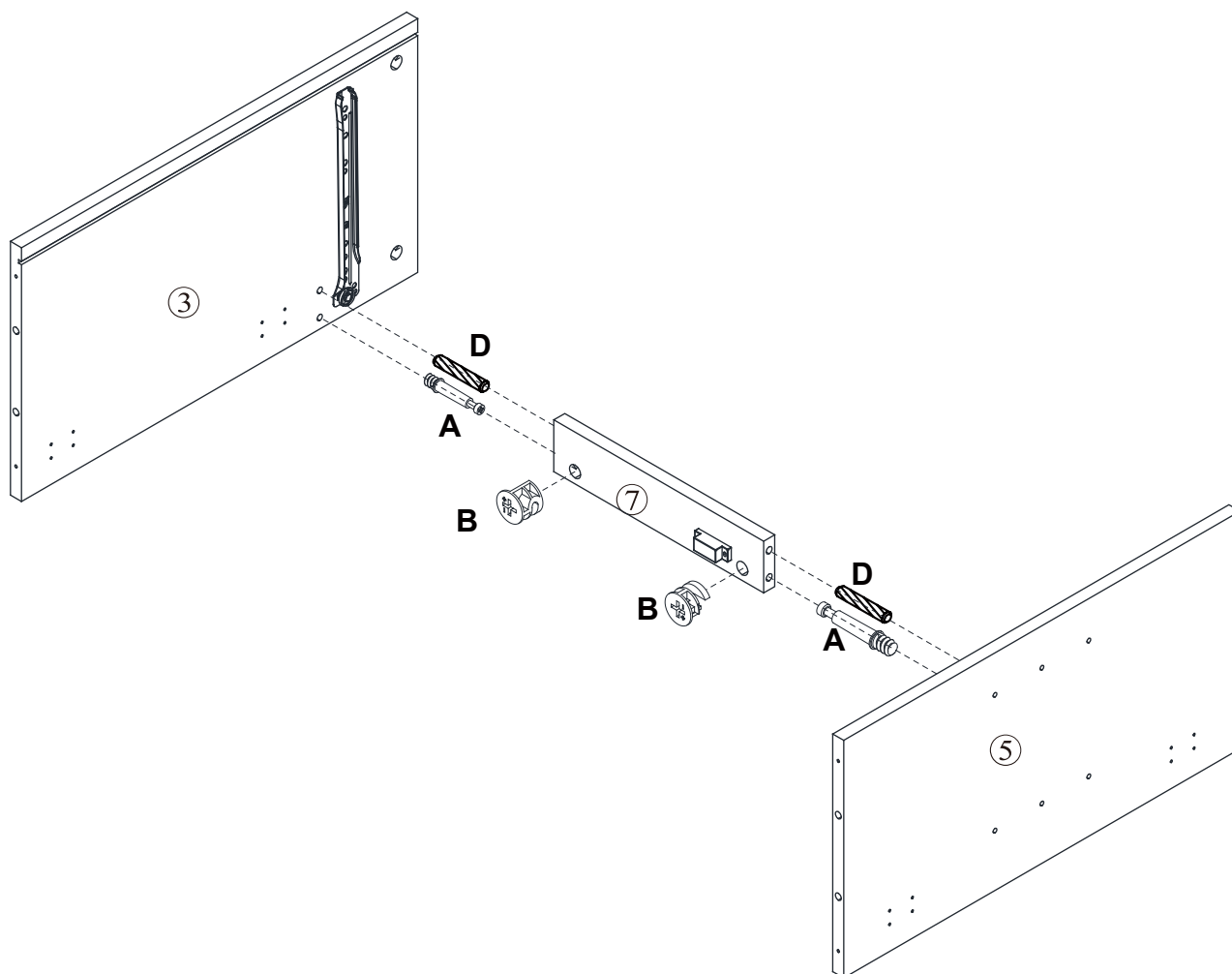
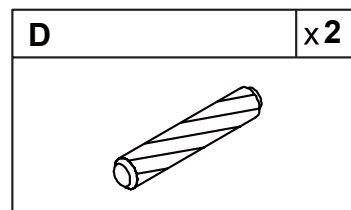
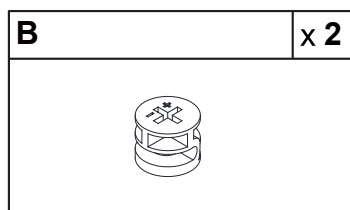
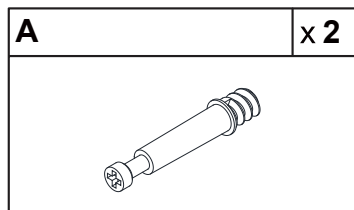
<b>K</b>	<b>x1</b>
	
<b>CL DL DR CR</b>	



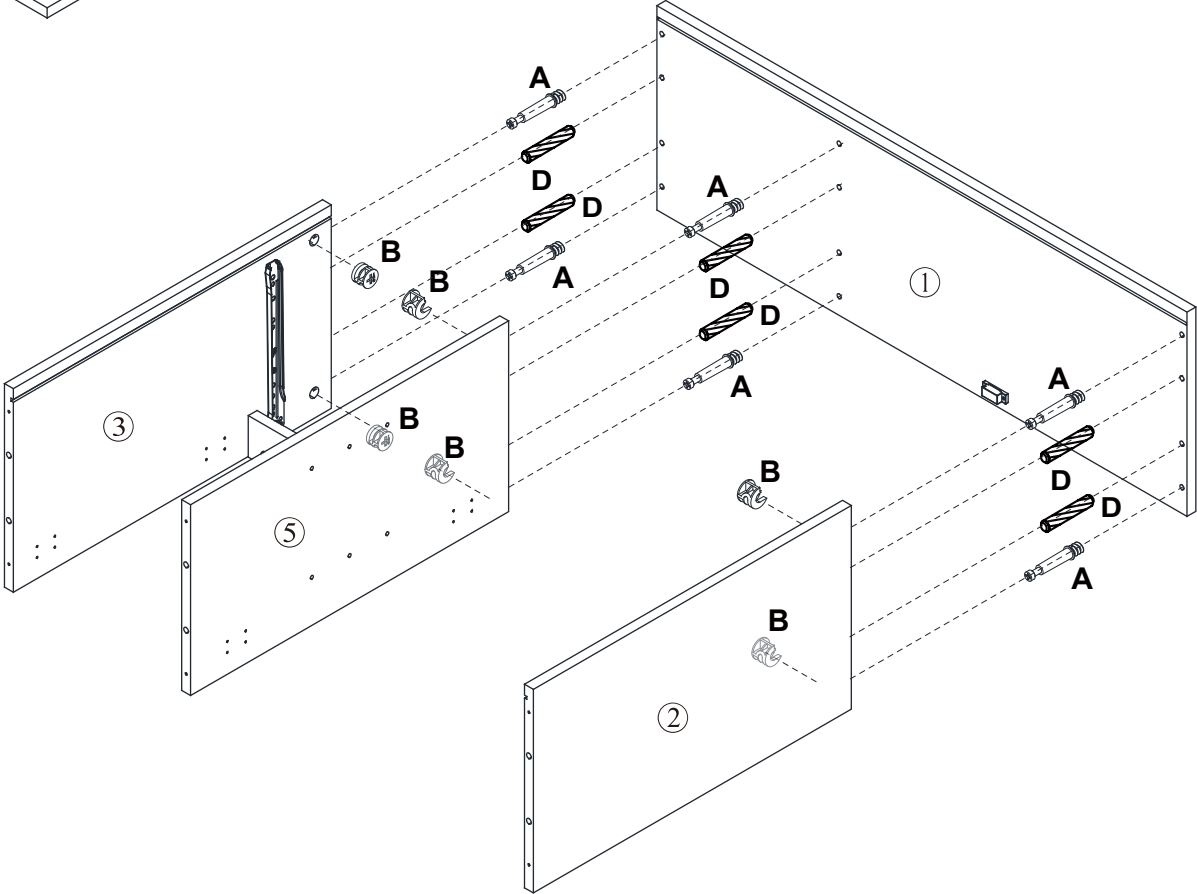
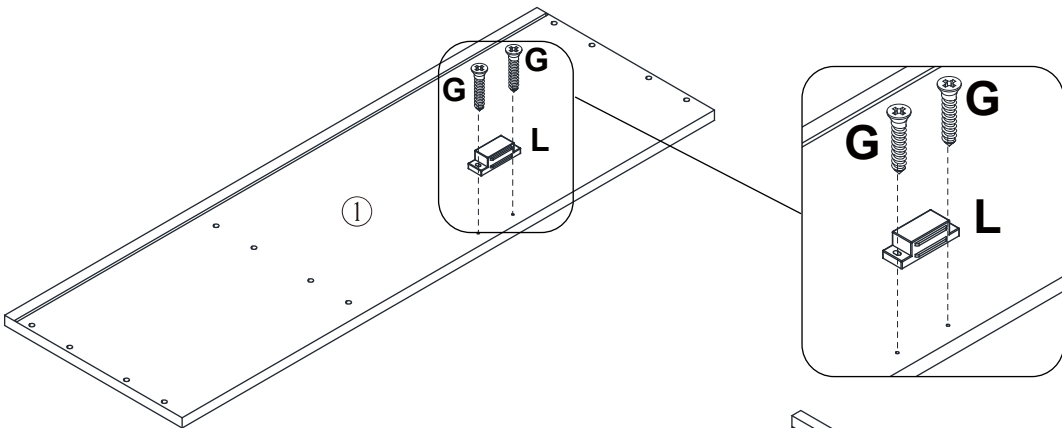
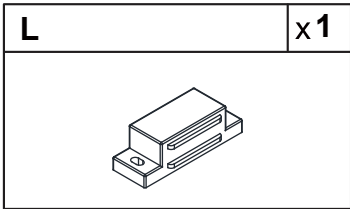
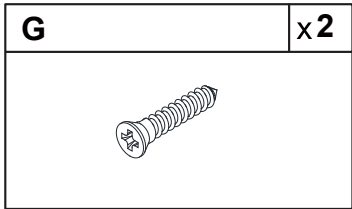
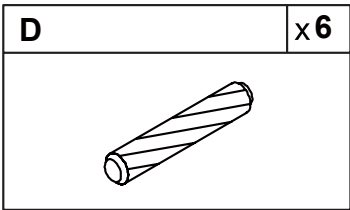
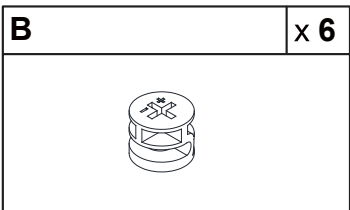
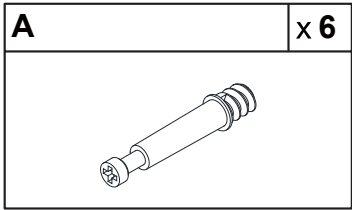
# Step 2



# Step 3

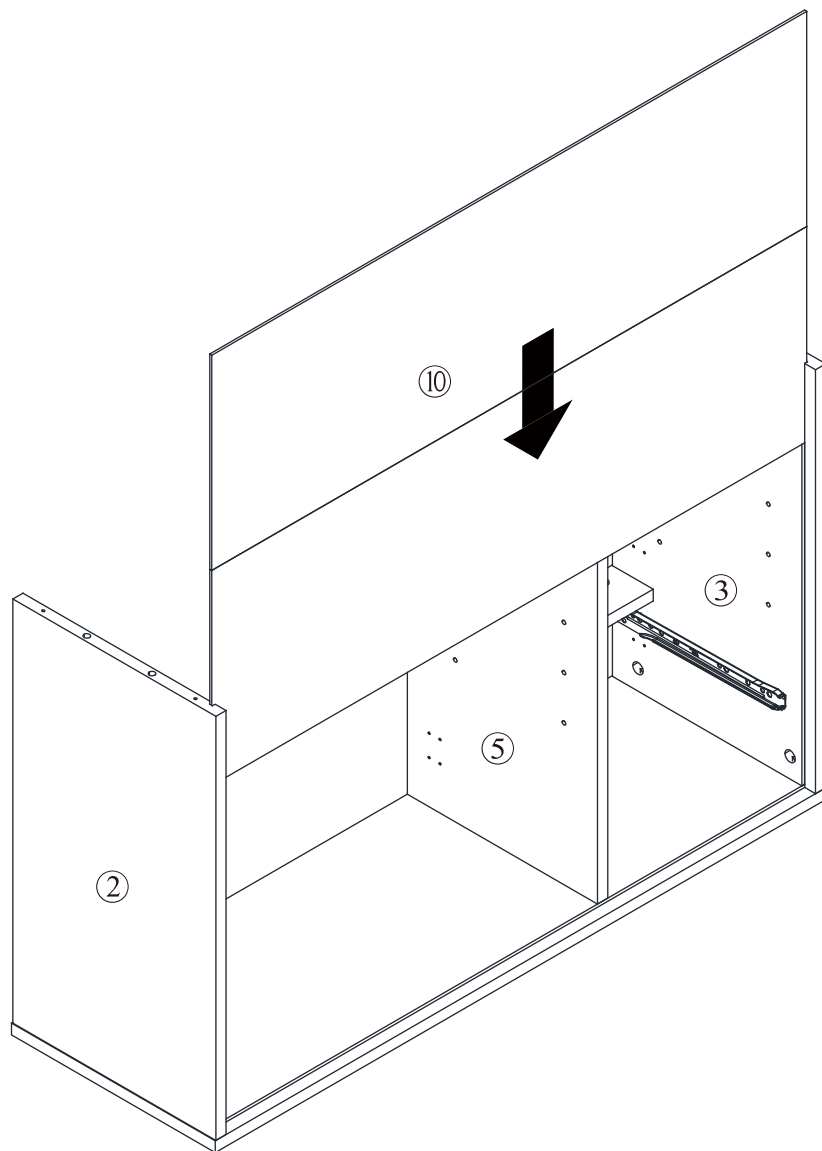


# Step 4

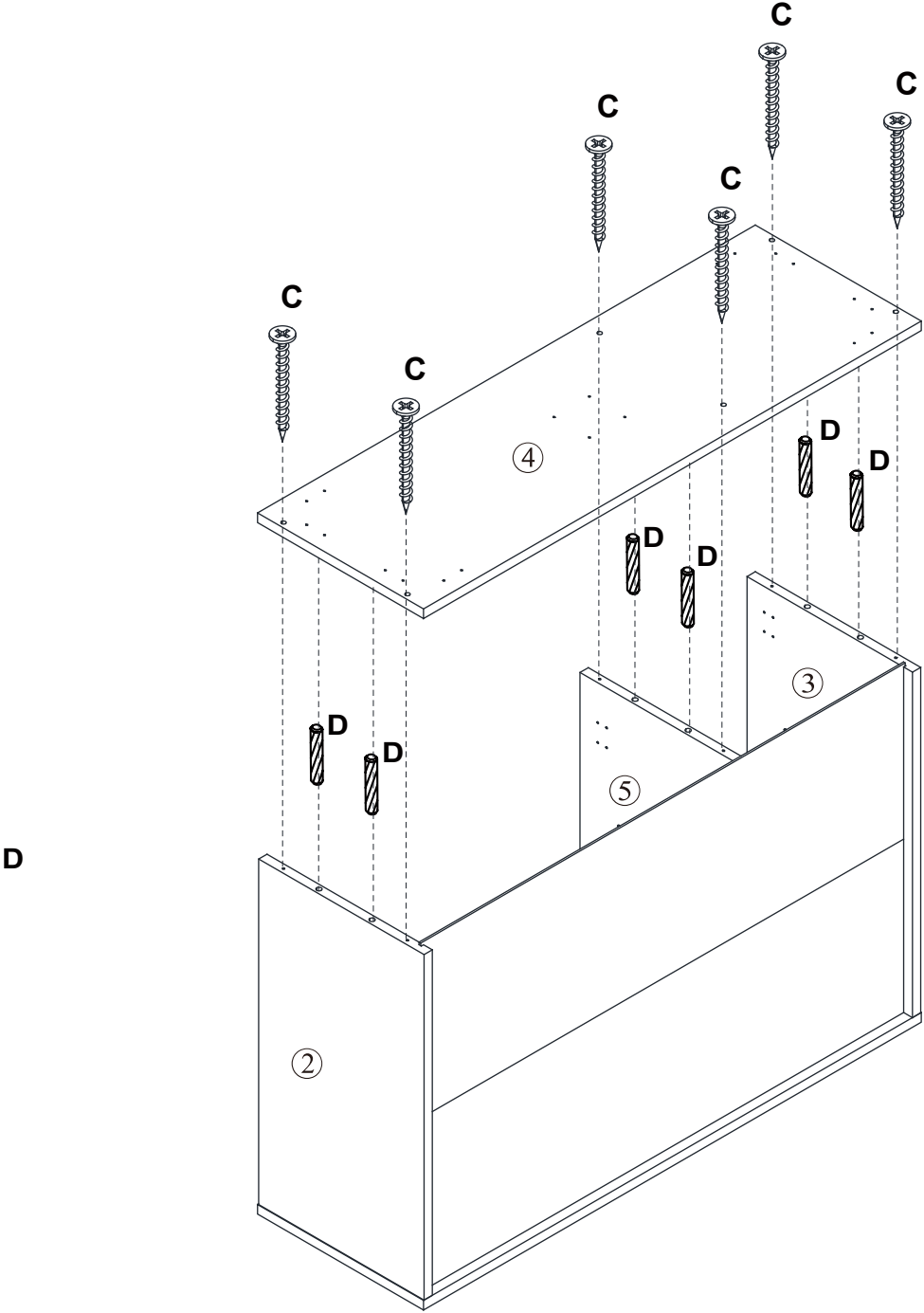
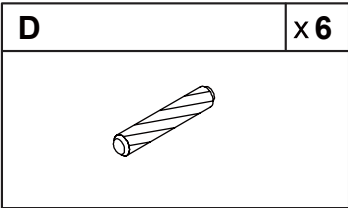
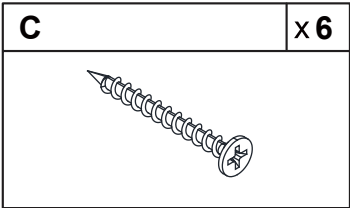




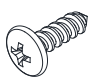
# Step 5

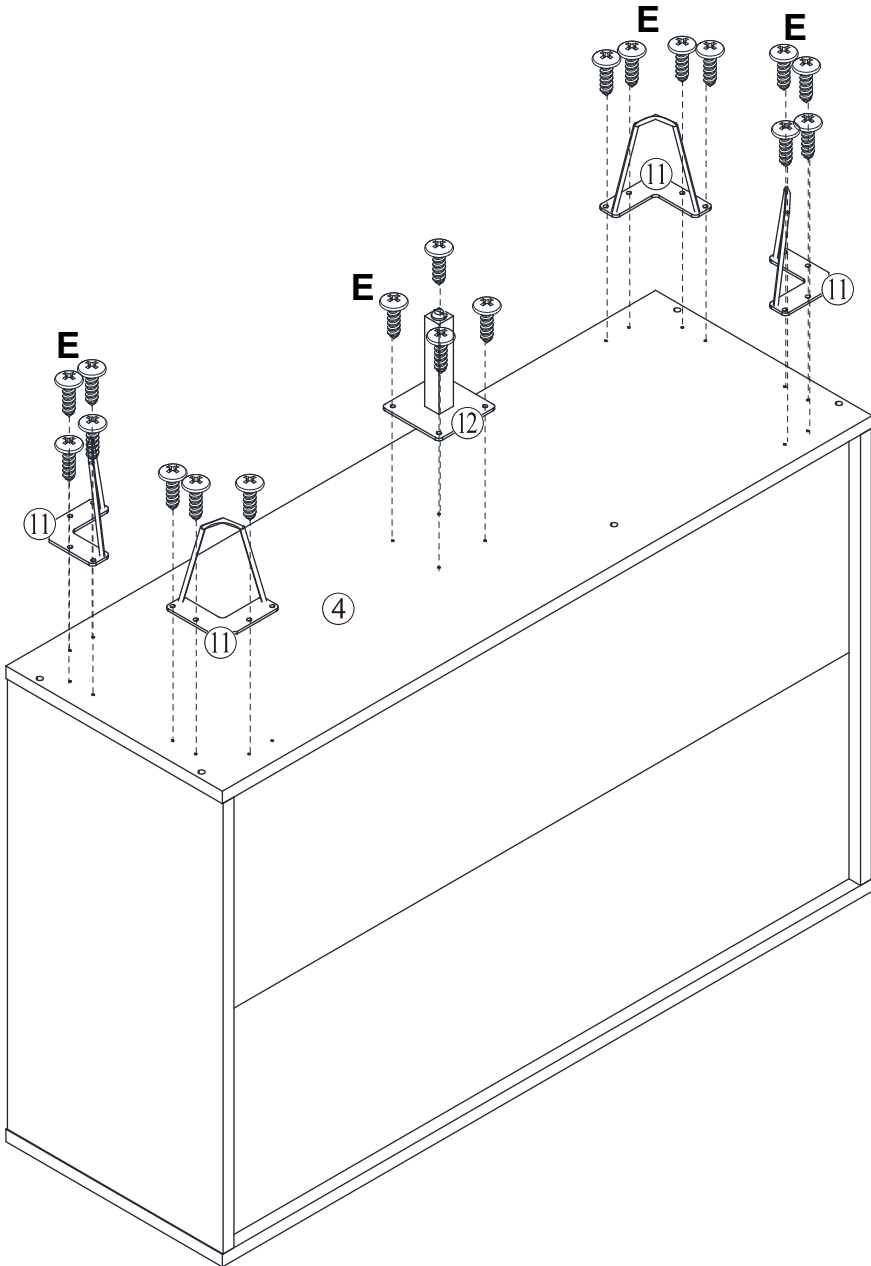


# Step 6

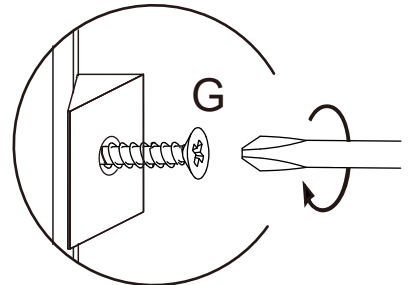
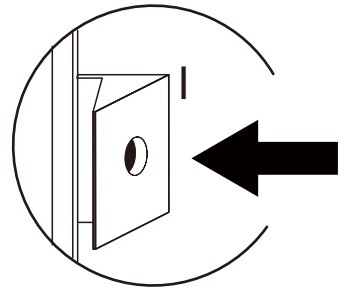
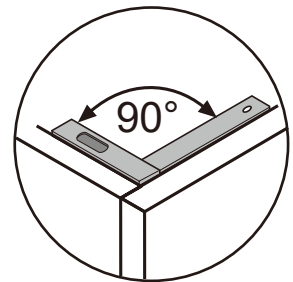
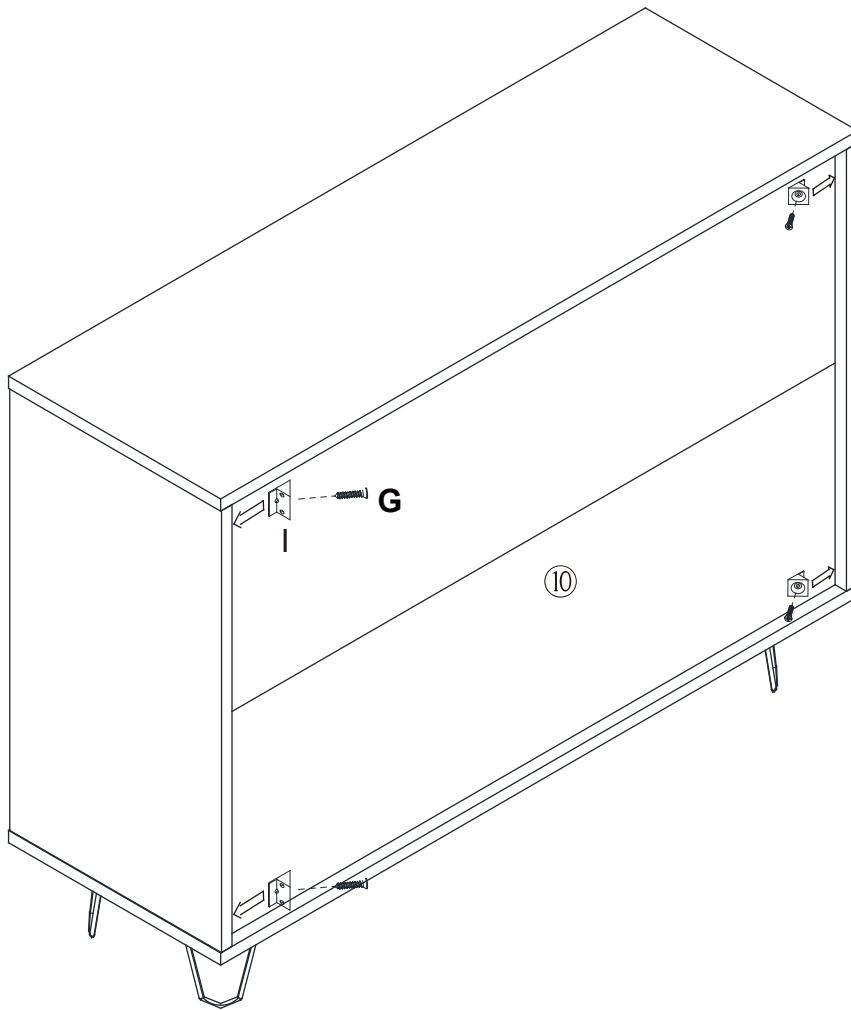
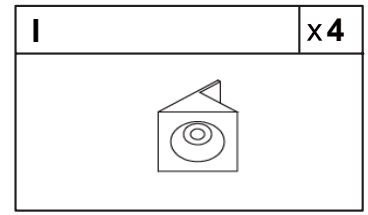
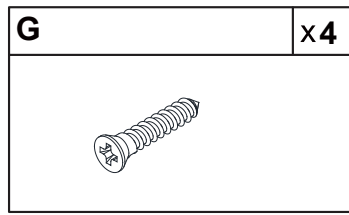


# Step 7

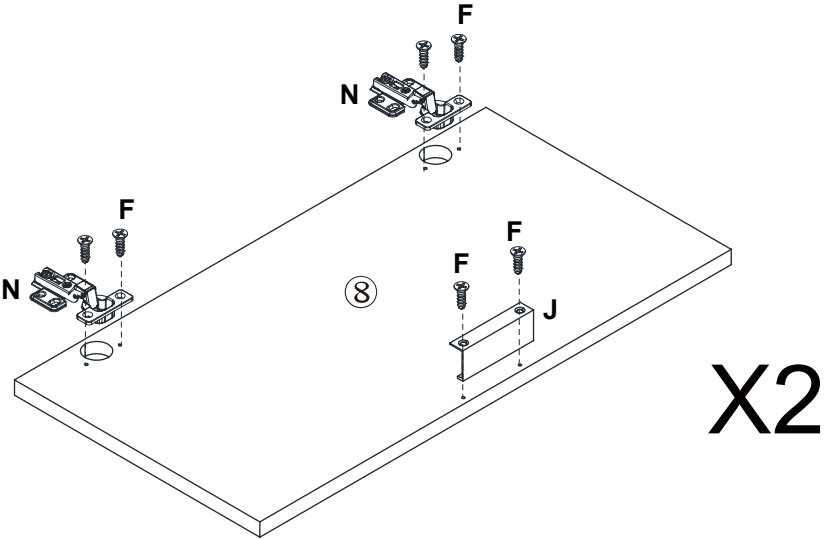
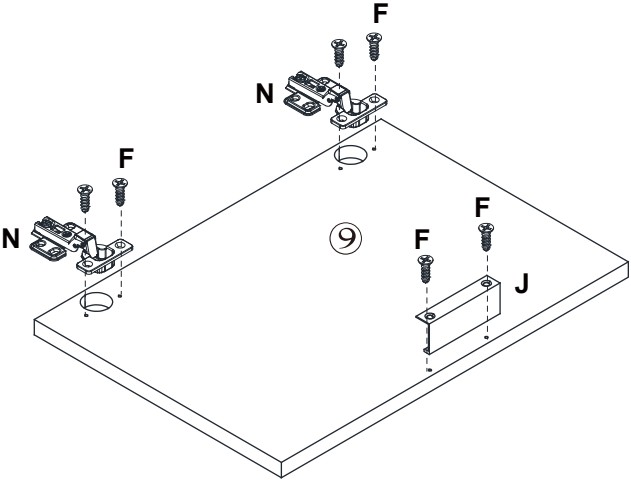
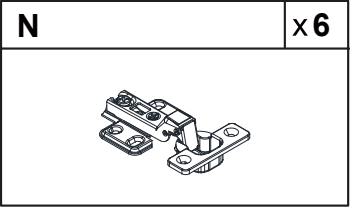
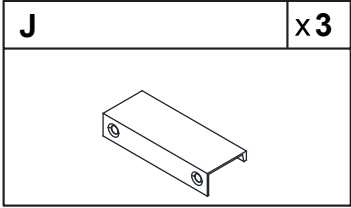
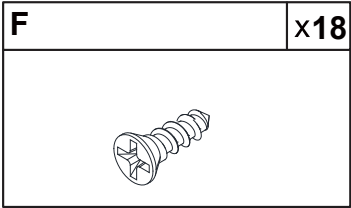
<b>E</b>	<b>x20</b>
	



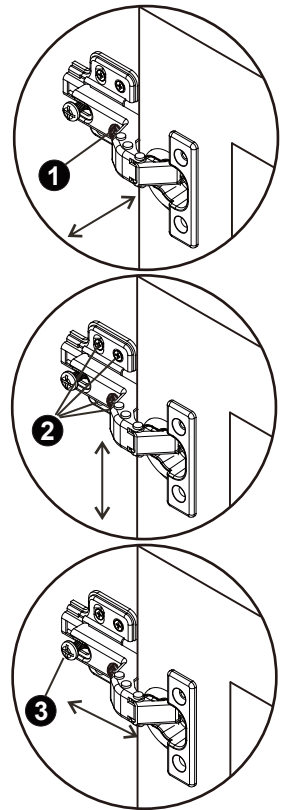
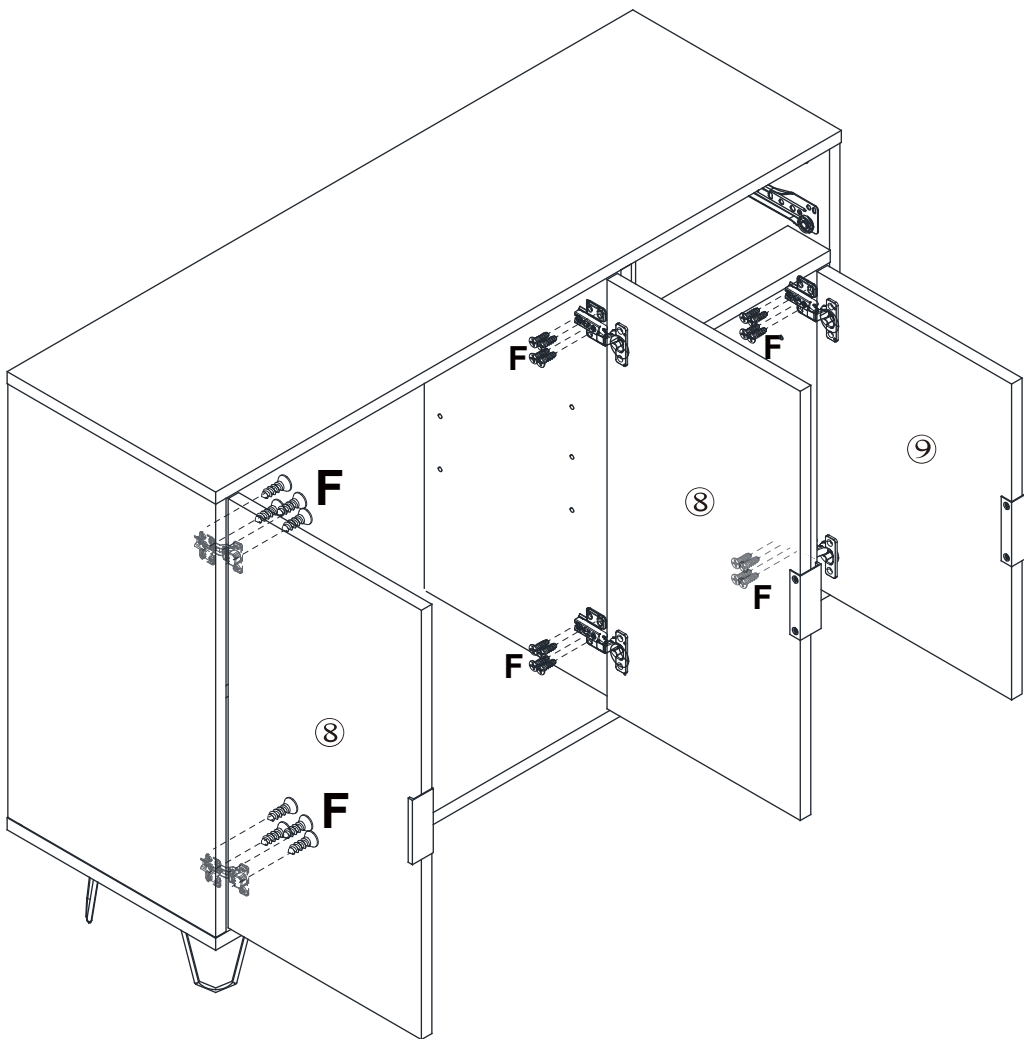
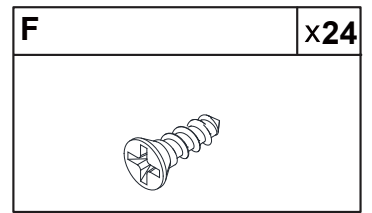
# Step 8



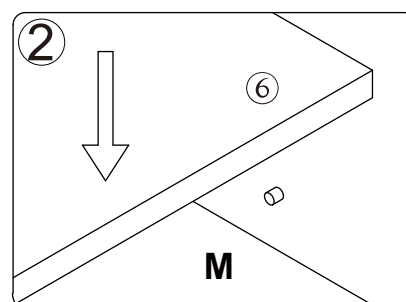
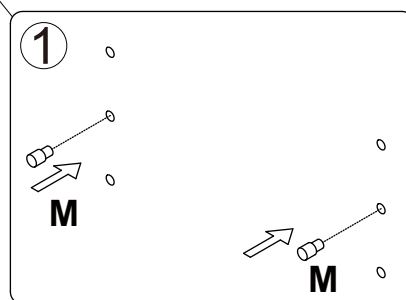
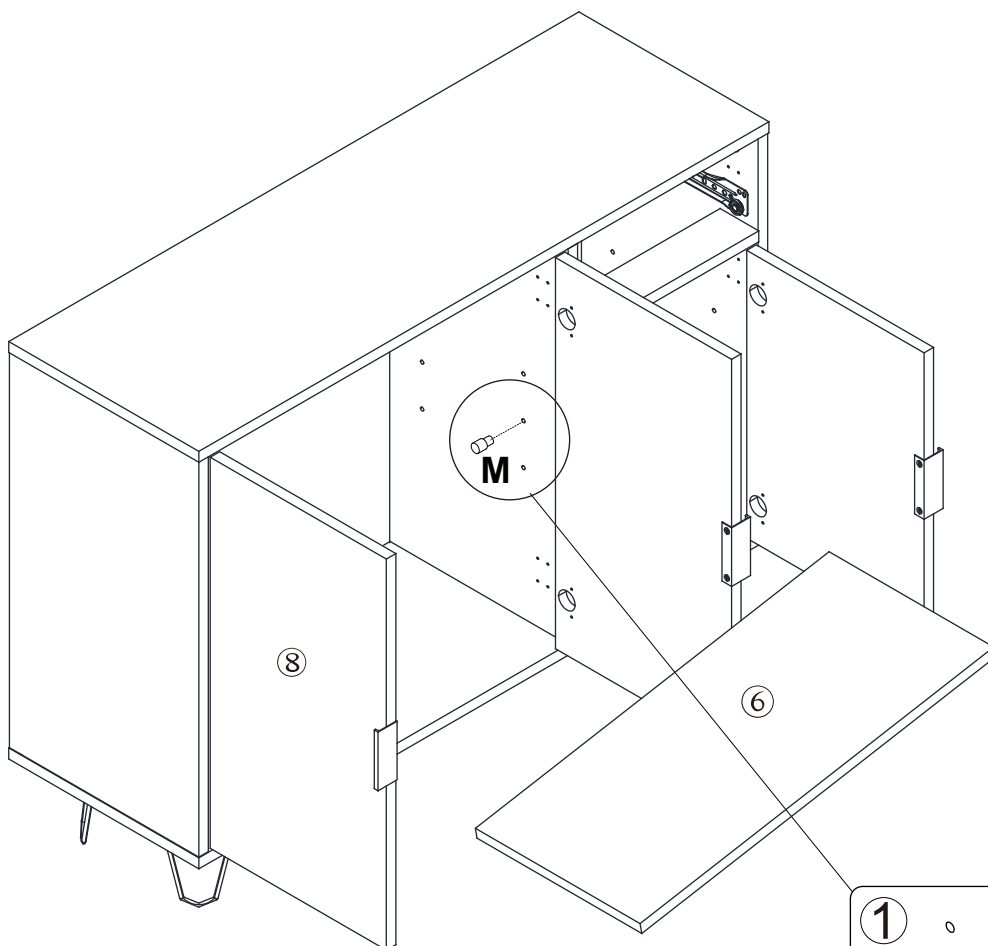
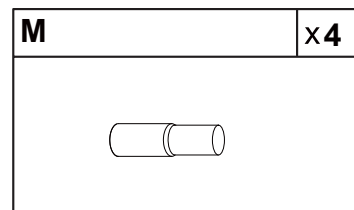
# Step 9



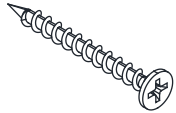
# Step 10

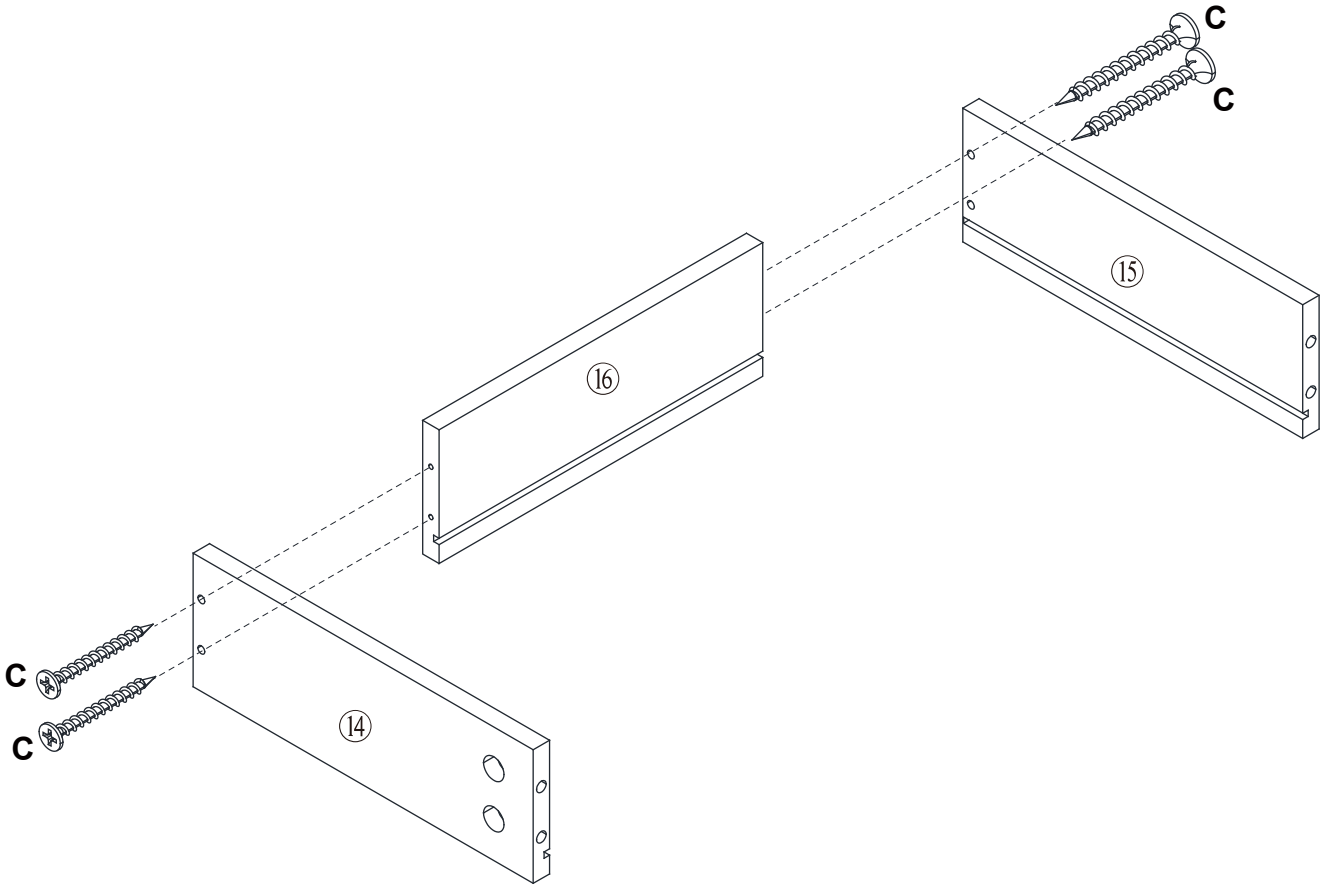


# Step 11



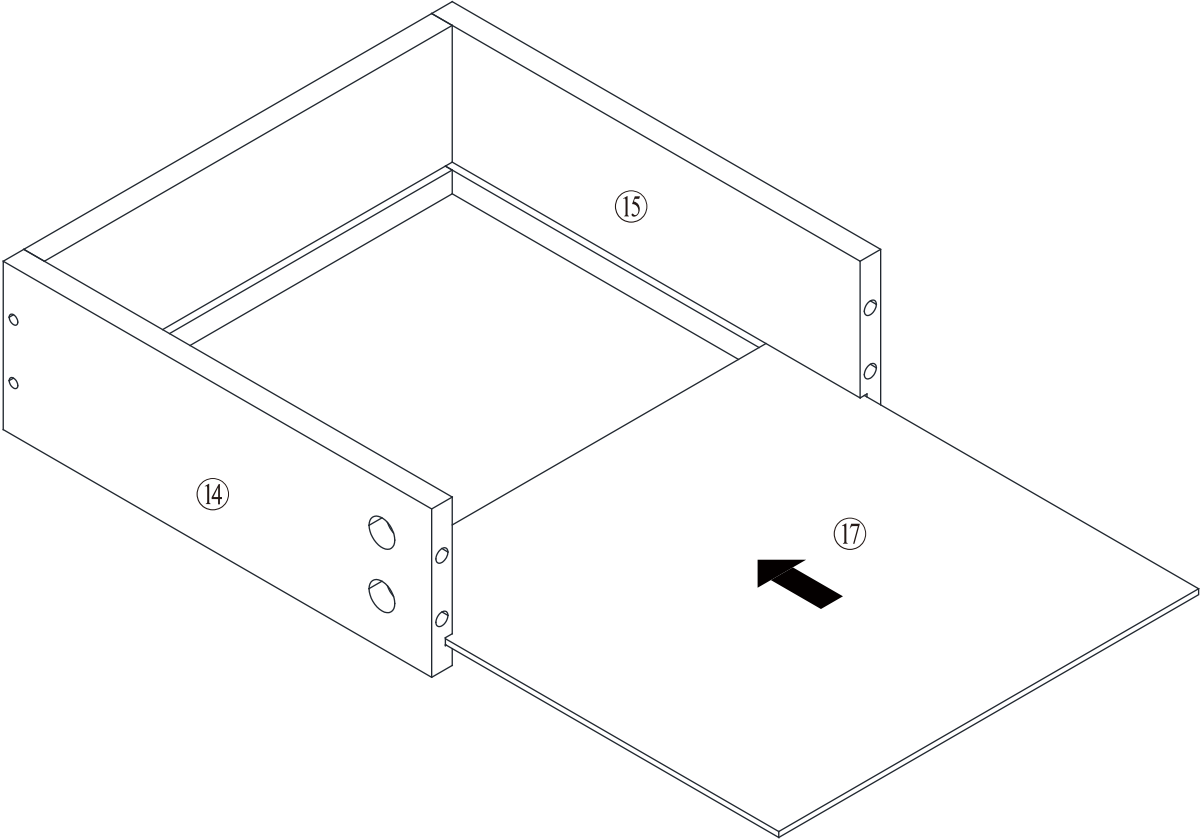
# Step 12

<b>C</b>	<b>x4</b>
	

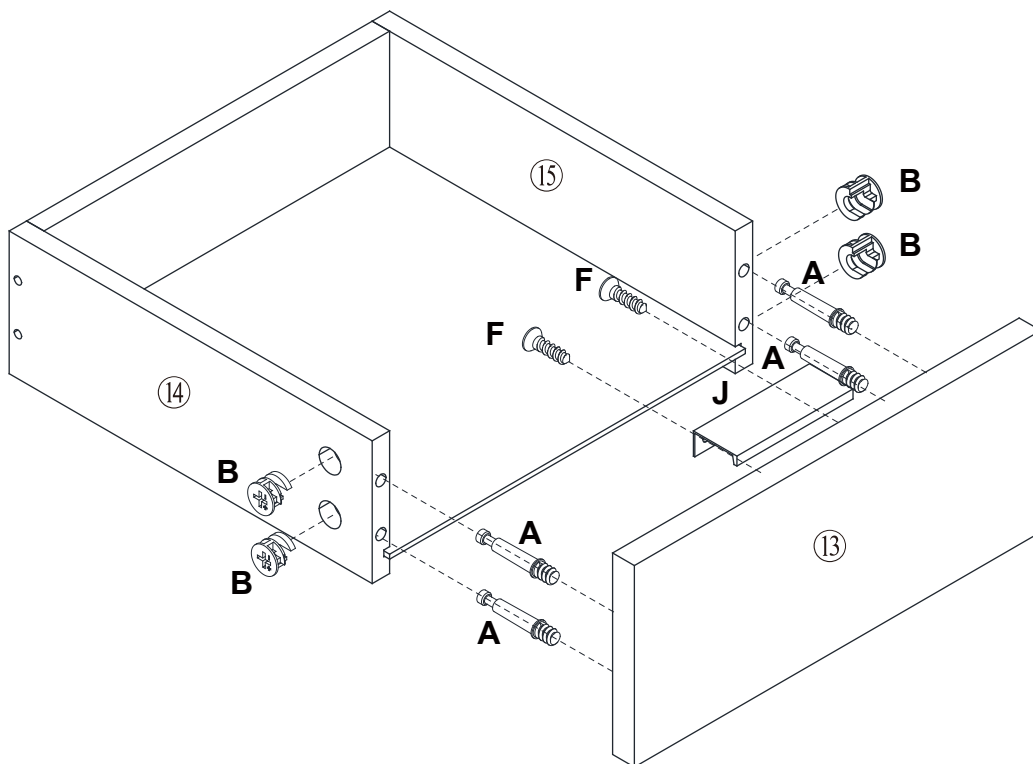
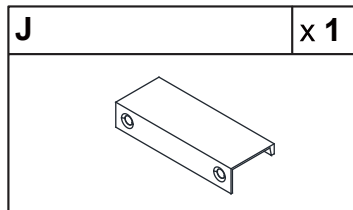
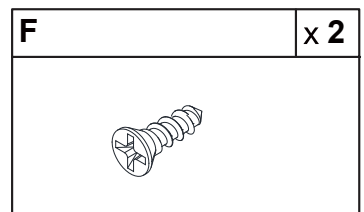
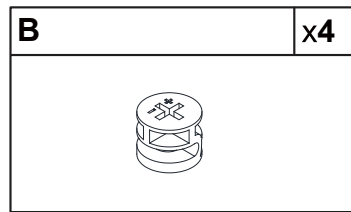
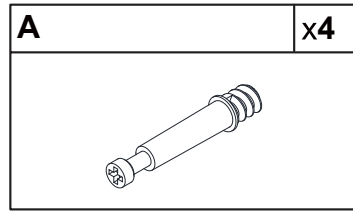




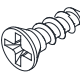
# Step 13

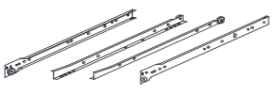


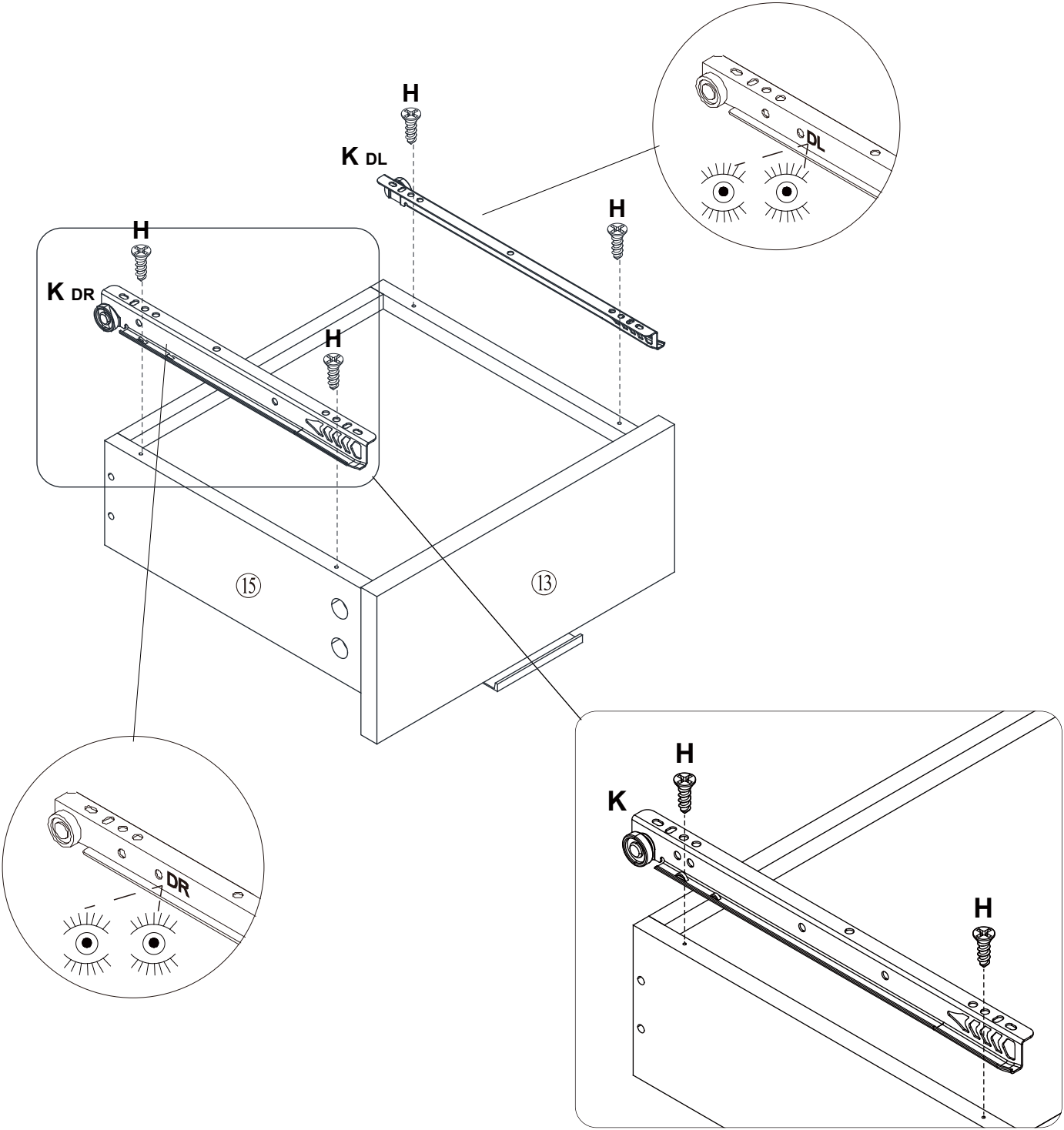
# Step 14



# Step 15

<b>H</b>	<b>x4</b>
	

<b>K</b>	<b>x1</b>
	
<p>CL DL DR CR</p>	



# Step 16

