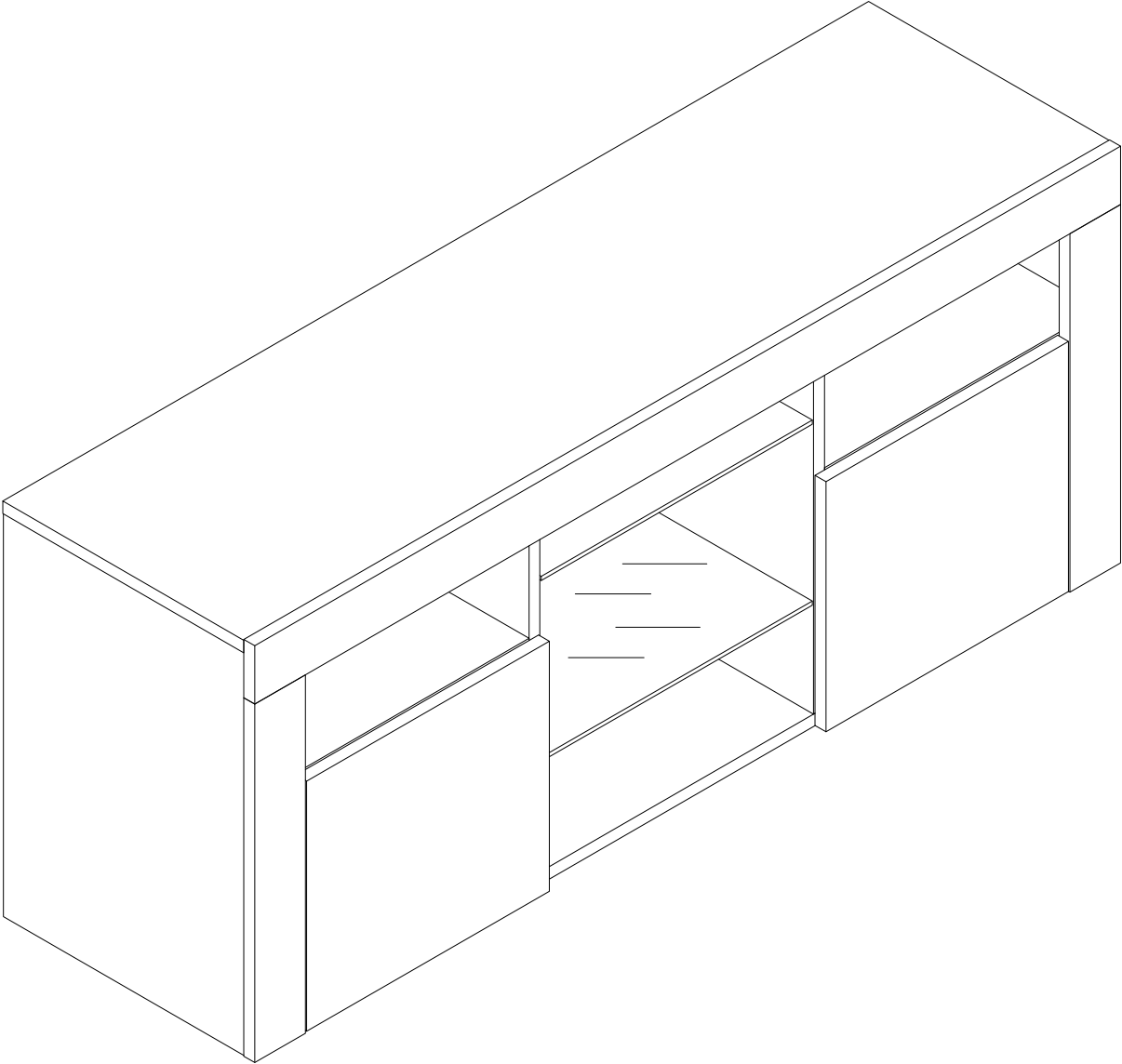
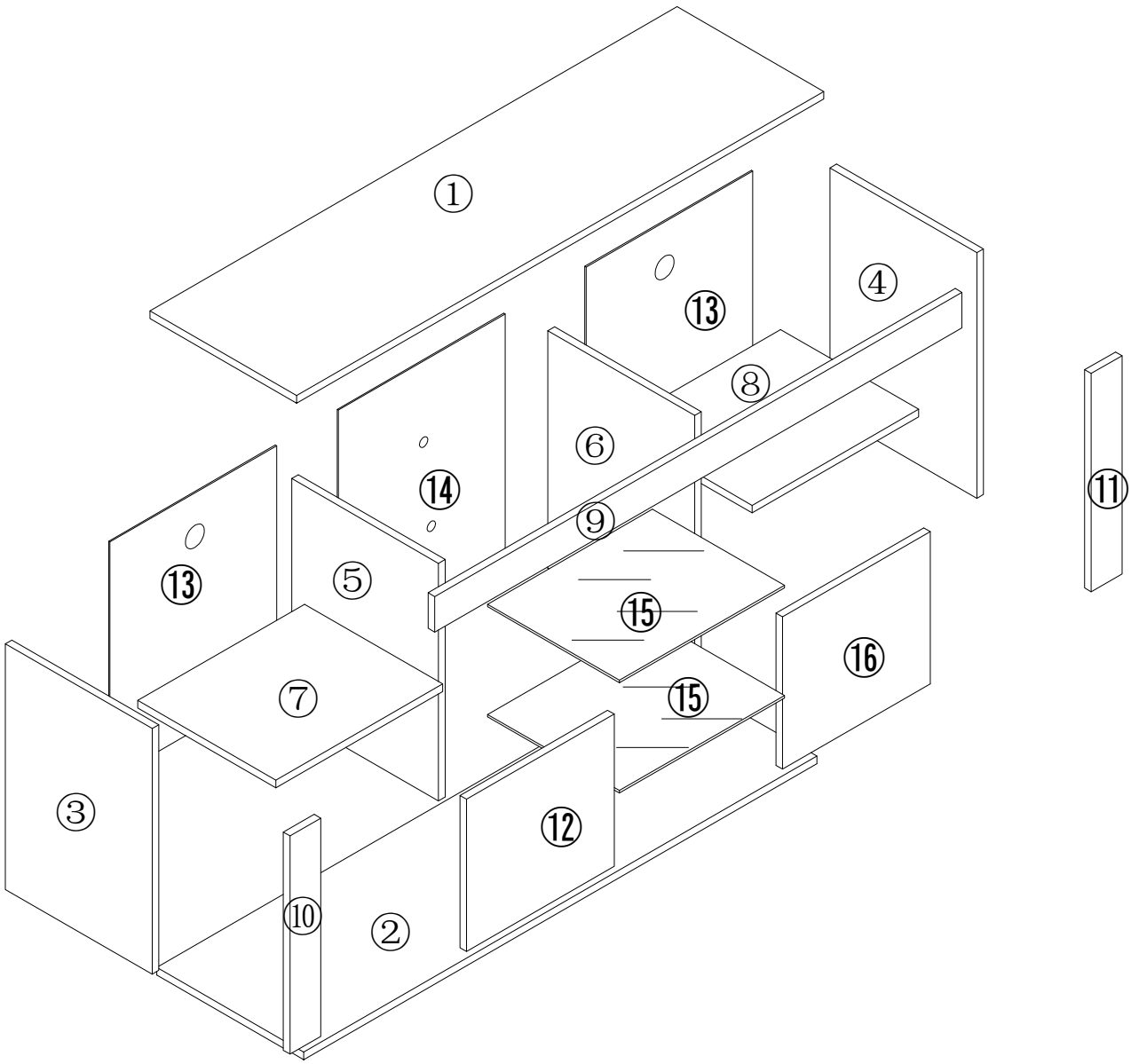
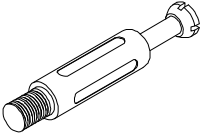
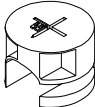
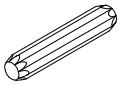
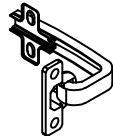
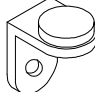
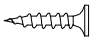
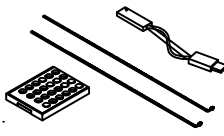


**WF197773**



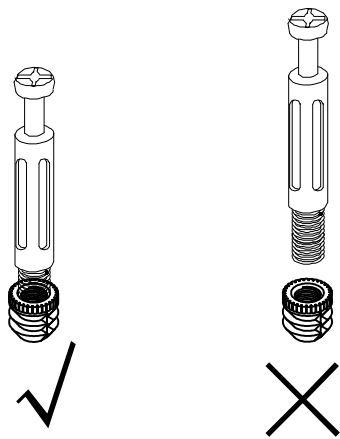
# WF197773



<p><b>A</b></p>  <p style="text-align: center;">39PCS</p>	<p><b>B</b></p>  <p style="text-align: center;">39PCS</p>	<p><b>C</b></p>  <p style="text-align: center;">36PCS</p>	<p><b>D</b></p>  <p style="text-align: center;">4PCS</p>	<p><b>E</b></p>  <p style="text-align: center;">8PCS</p>	<p><b>F</b></p> <p style="text-align: right;">3.5*14</p>  <p style="text-align: center;">24PCS</p>
<p><b>LED</b></p>  <p style="text-align: center;">1PCS</p>					

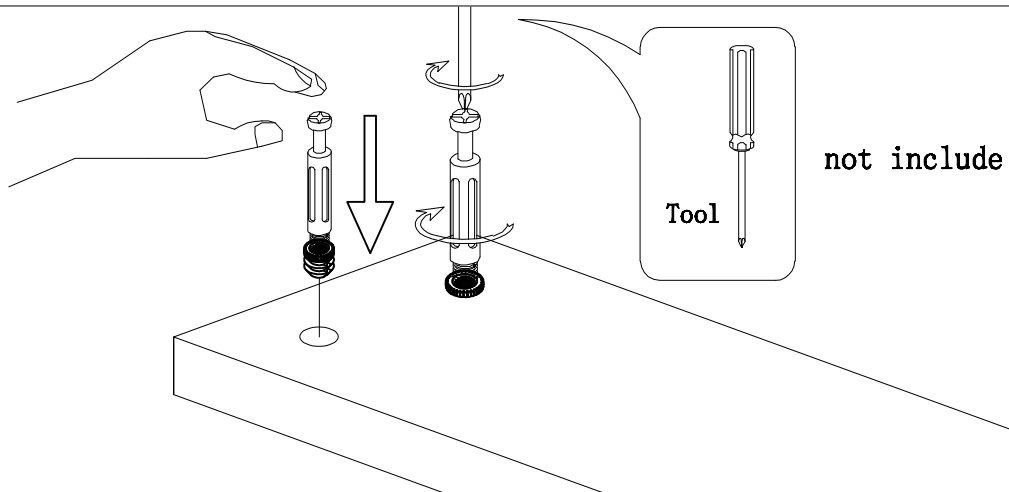
# "A" Hardware installation example

I

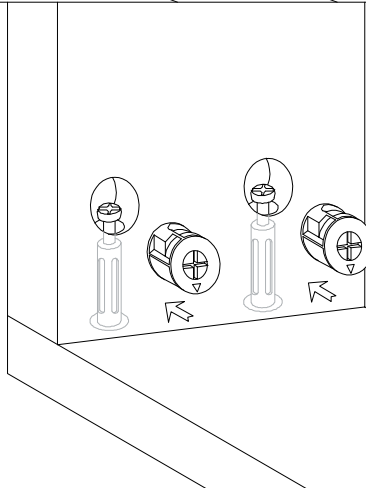


This part cannot be separated,  
please install in strict  
accordance with the assembly  
requirements

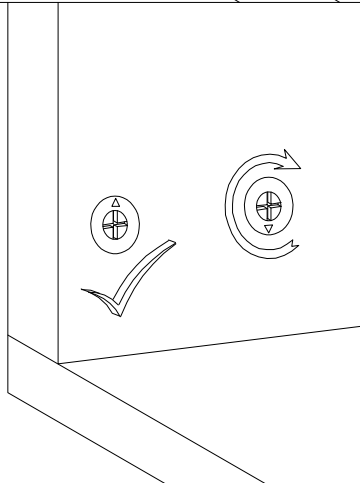
II



III

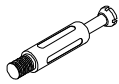


IV



1

# WF197773



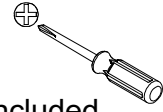
A\*8



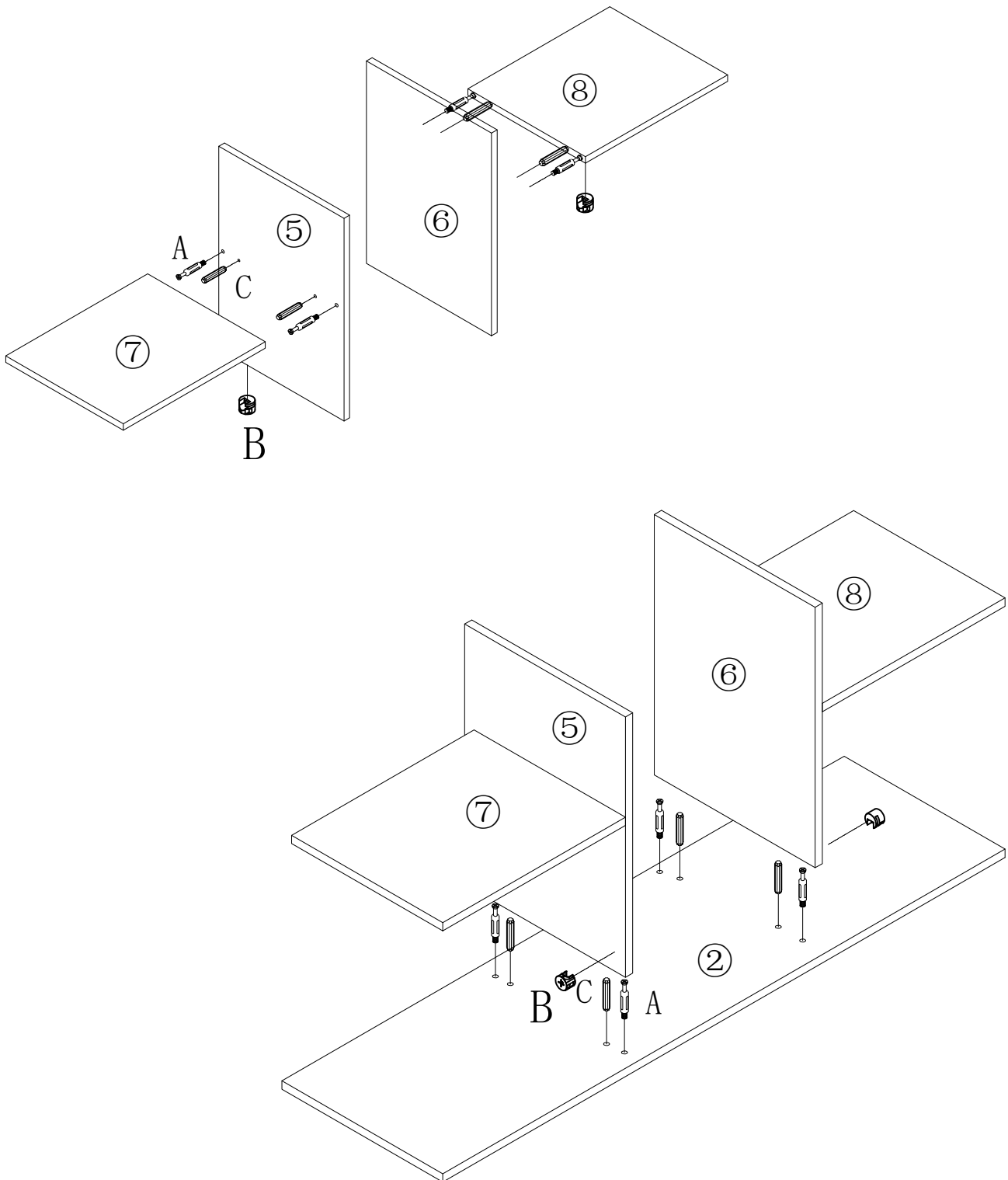
B\*8



C\*8

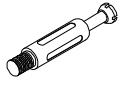


NotIncluded



2

# WF197773



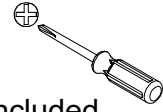
A\*16



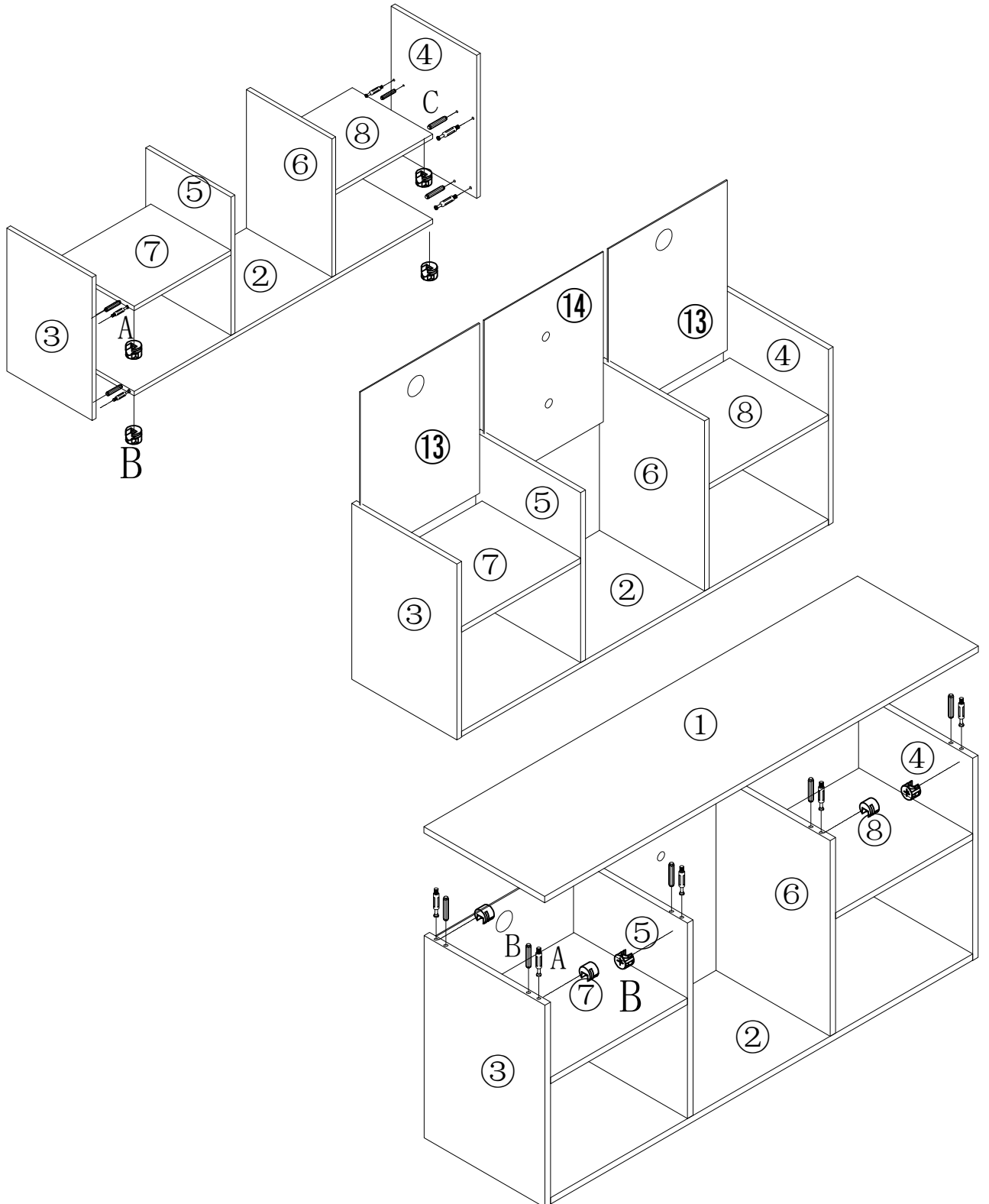
B\*16



C\*16



NotIncluded



3

# WF197773



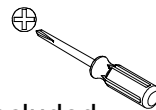
C\*4



D\*4

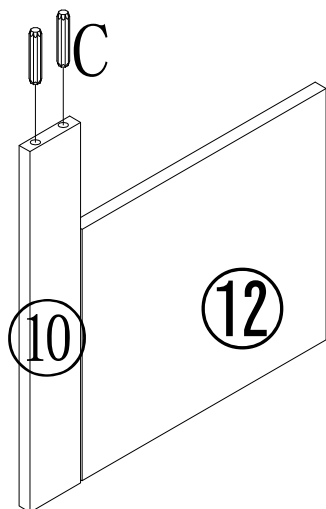
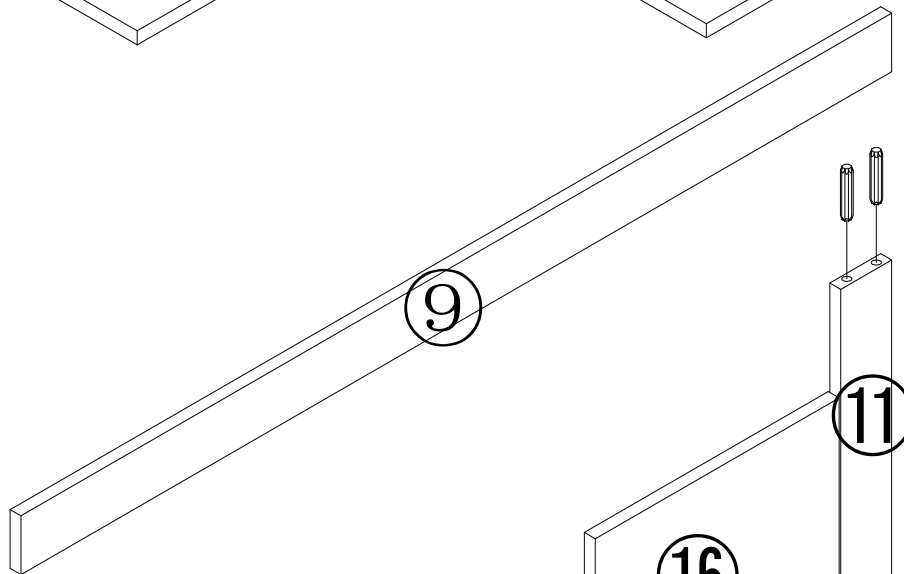
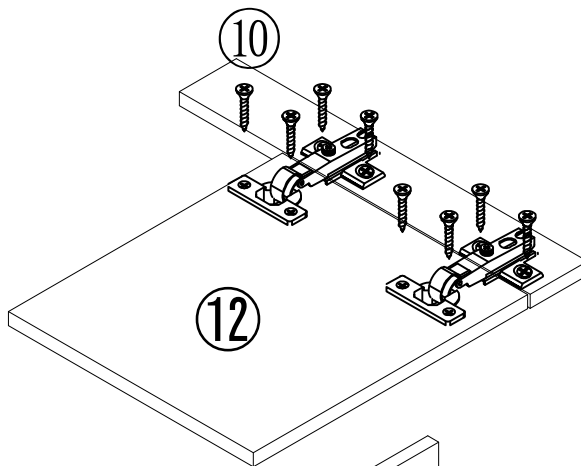
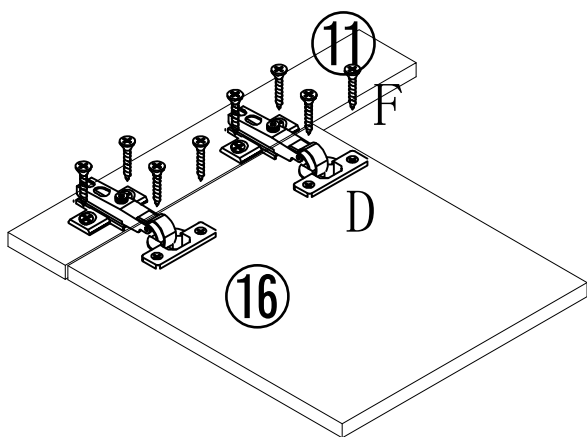


F\*16



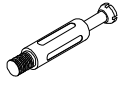
NotIncluded

16



4

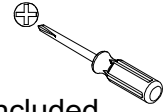
# WF197773



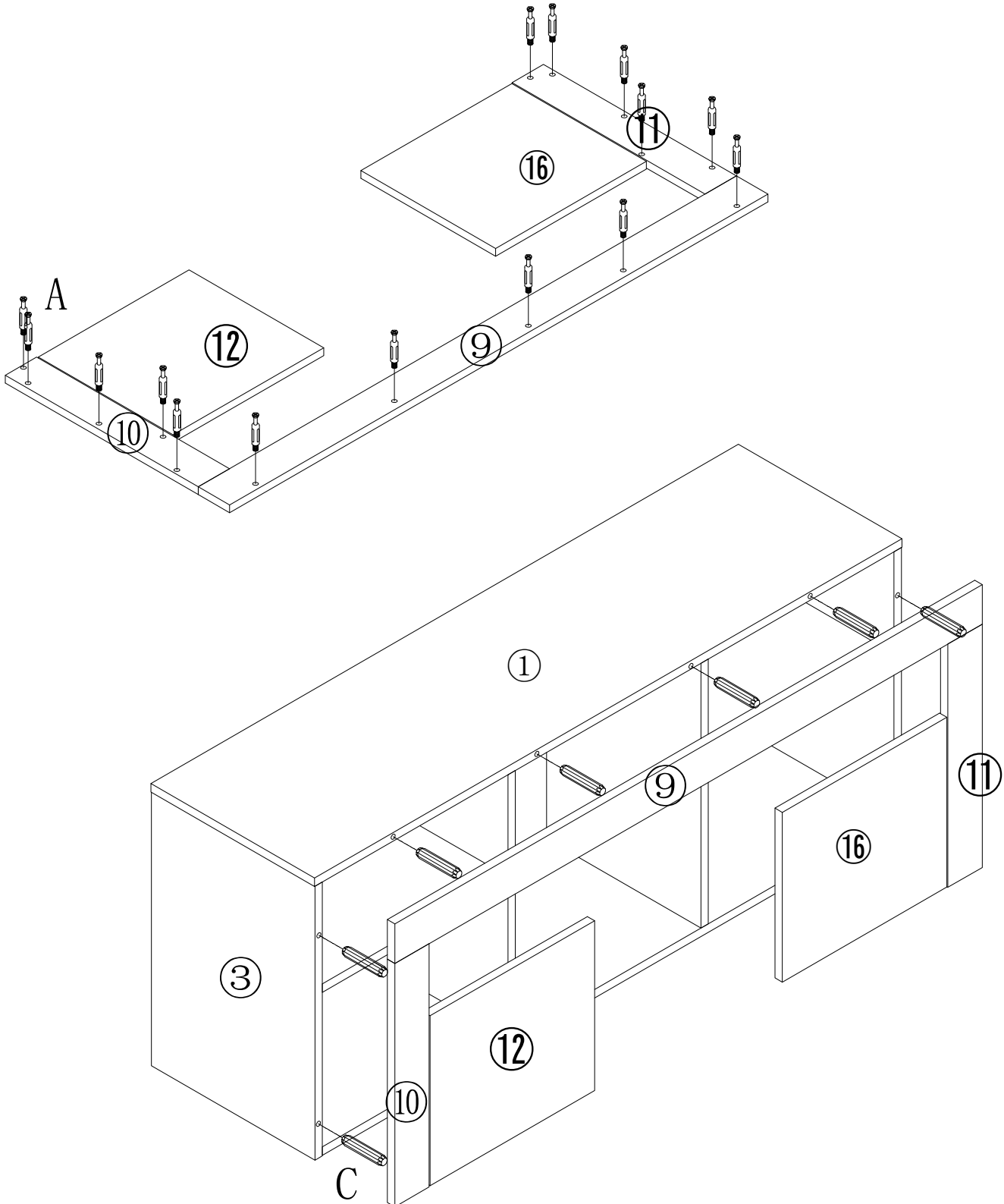
A\*15



C\*8



NotIncluded



5

# WF197773



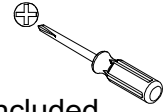
B\*15



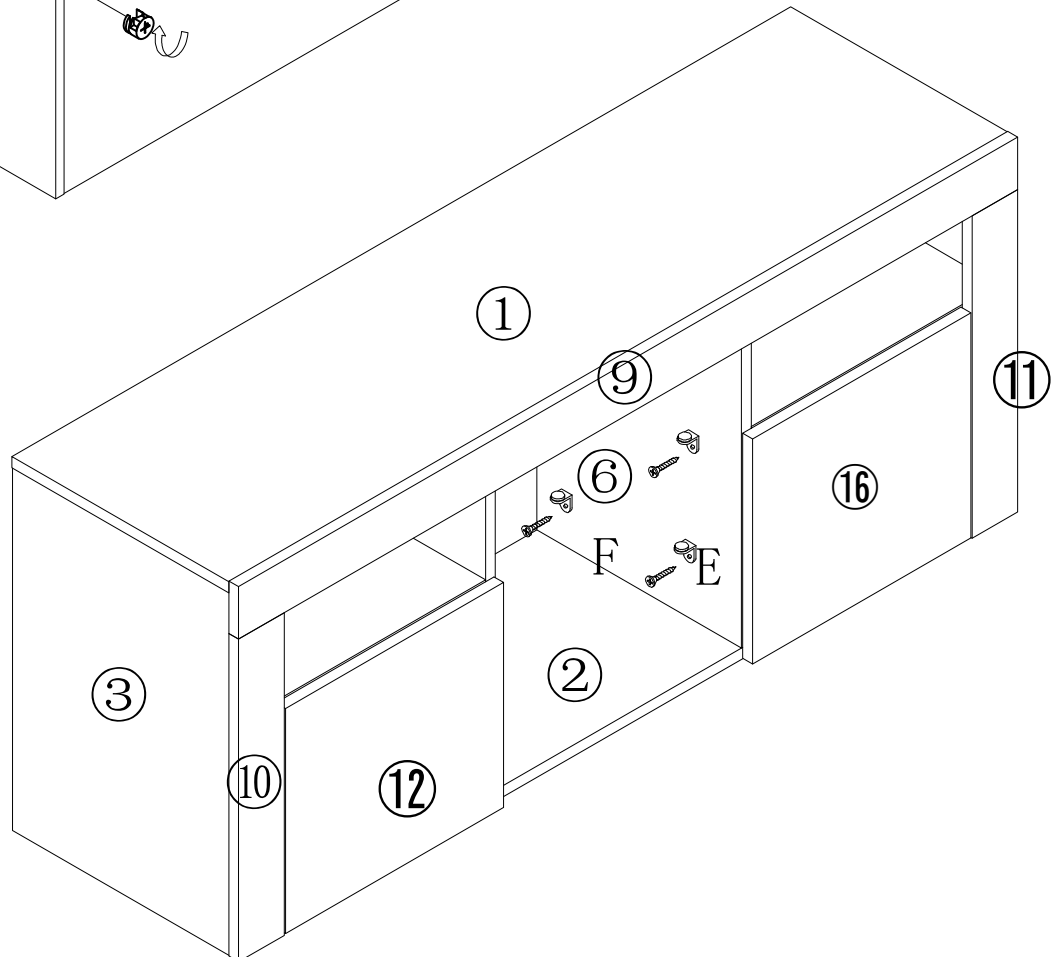
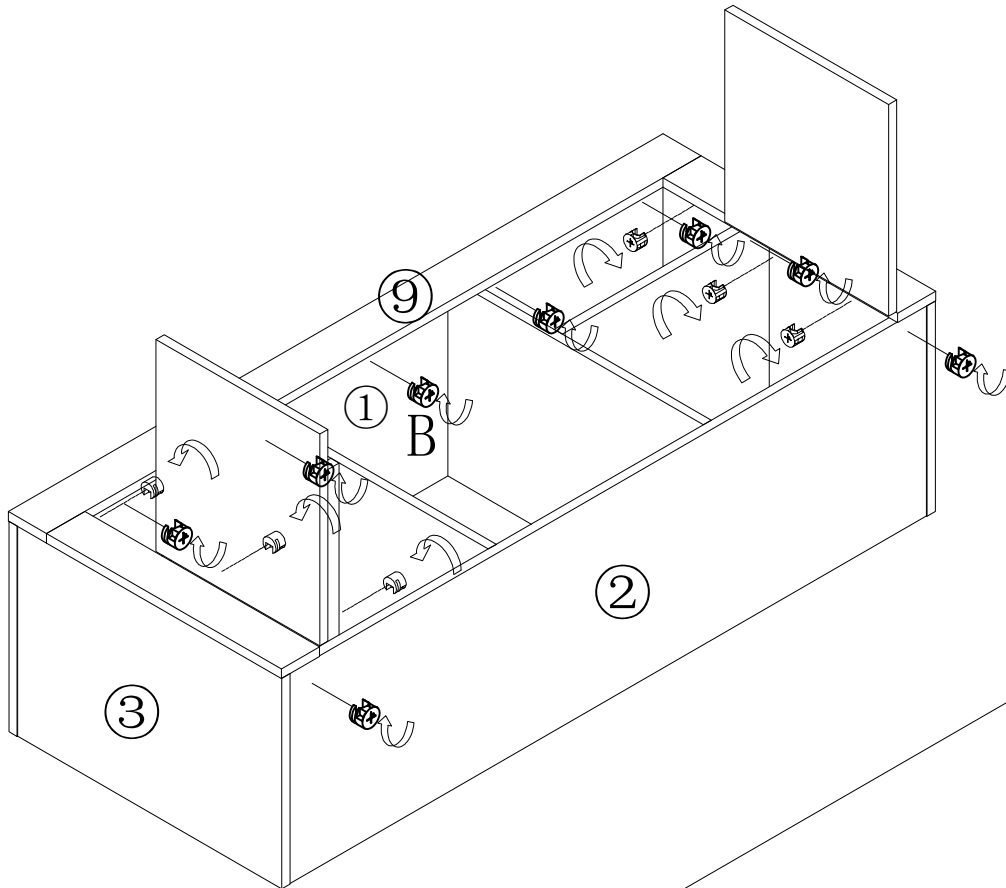
E\*8



F\*8



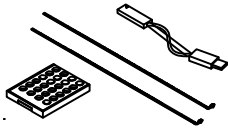
NotIncluded



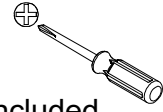


6

WF197773

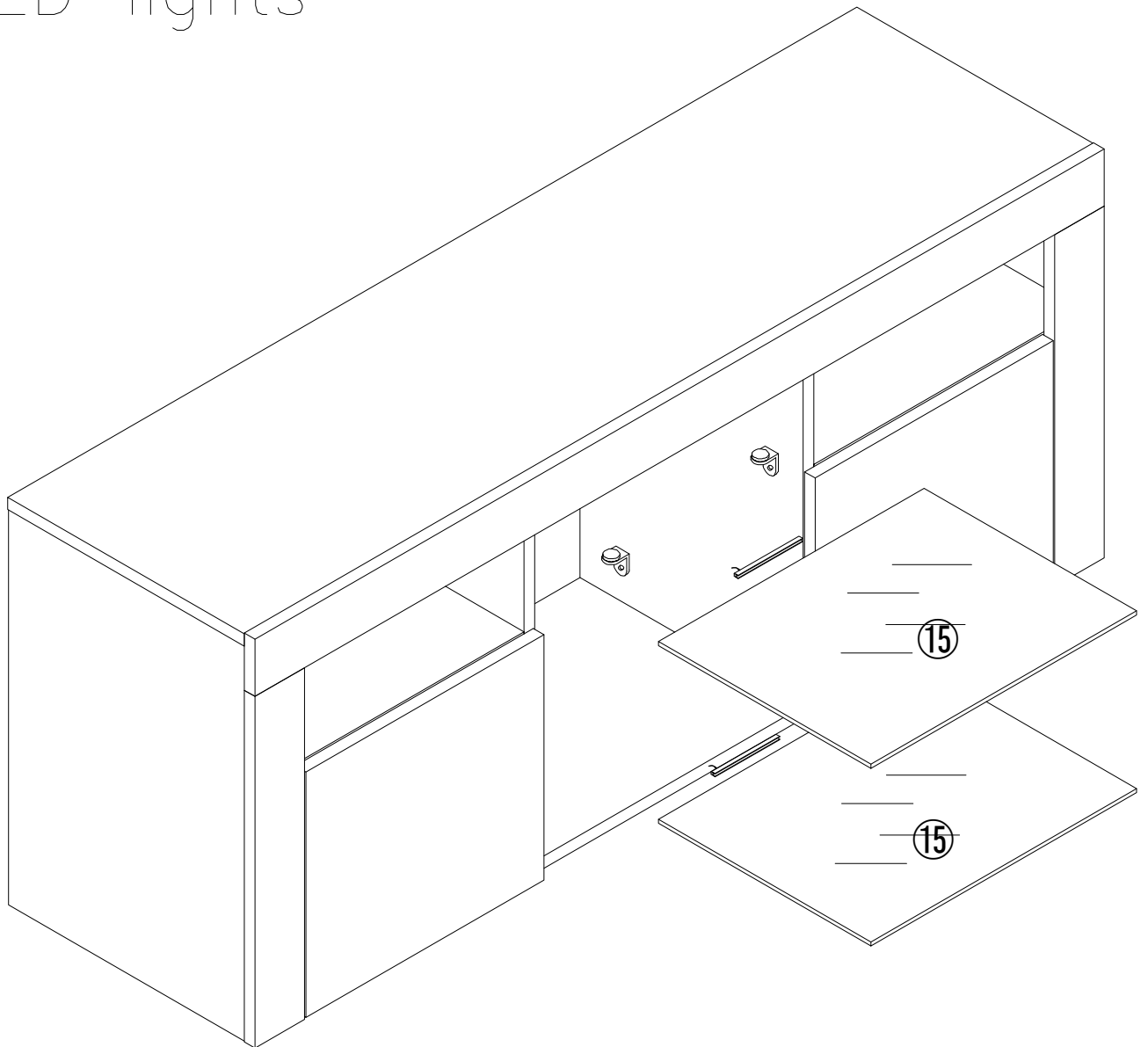


LED



Not Included

The following  
installation ↓  
LED lights



# LED Light

If you can't let the lights work successfully, please check the following:

1. Please check the direction of the connect, try it in the opposite direction, according to the following picture.
2. Please check the remote control, it need you to tear down the plastic septum before use it.
3. Don't let the remote control too far from the receiver, make sure there is no obstruction between them.

