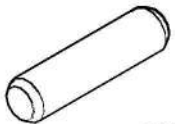
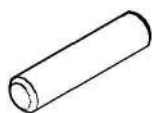
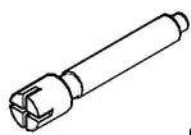
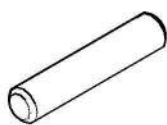
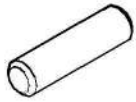










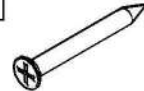

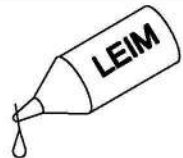


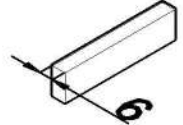
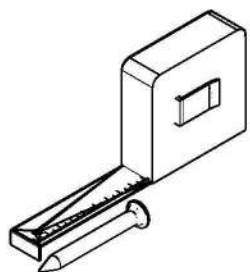
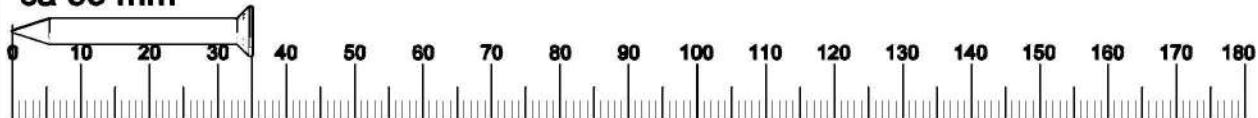
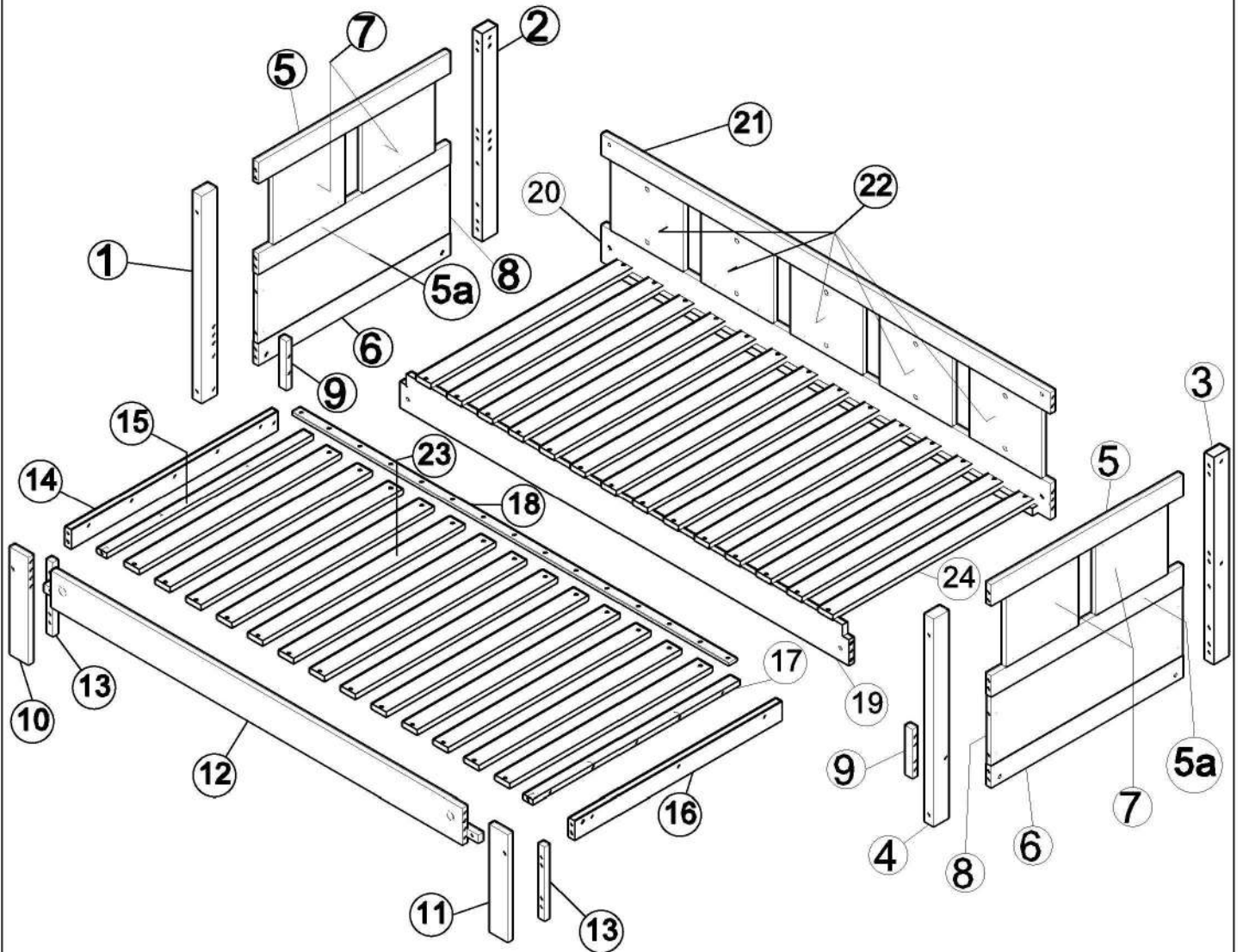


<b>K4</b>  x 12 Ø10 x 40	<b>K1</b>  x 60 Ø8 X 35	<b>J4</b>  x 2 M6 X 50
<b>K3</b>  x 22 Ø8 X 40	<b>K2</b>  x 8 Ø8 x 30	<b>B4</b>  x 2 Ø30
<b>J21</b>  x 6 M6 X 80	<b>J12</b>  x 8 M6 x 110	<b>H4</b>  x 16 Ø10/M6 x 13
<b>J7</b>  x 2 M6 X 60	<b>S7</b>  x4 Ø3,5 x 50	<b>E2</b>  x13 Ø6,3 x 24
<b>F2</b>  x 1 HEX 4 mm	<b>S5</b>  x41 Ø3,5 x 30	<b>S20</b>  x2 Ø3,5 x 20
<b>S6</b>  x6 Ø3,5 x 35	<b>C4</b>  x6 Ø7 x 50	<b>Q1</b>  x1 LEIM
<b>M1</b>  x10 Ø6,3 x 30	<b>M2</b>  x10 Ø15	<b>X1</b>  x2 50x20x6

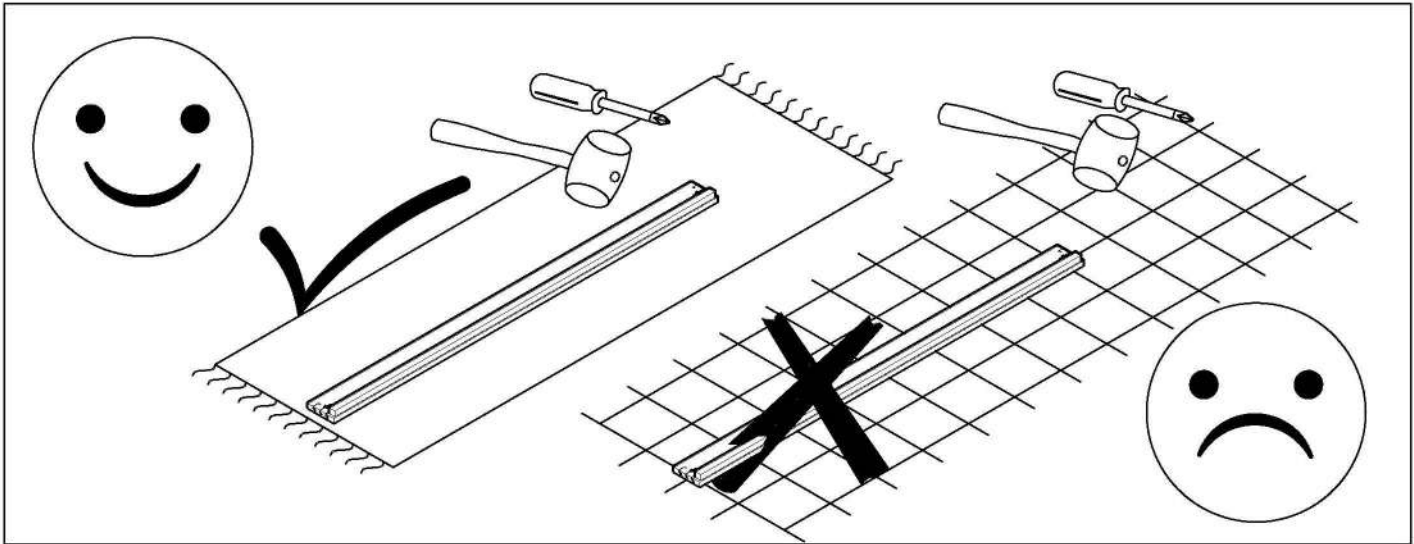



ca 35 mm




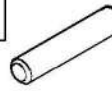


No	Σ	L X B X T(MM)	✓	No	Σ	L X B X T(MM)	✓
<b>1</b>	<b>1</b>	<b>800 X 65 X 38</b>		<b>12</b>	<b>1</b>	<b>1834 X 140 X 20</b>	
<b>2</b>	<b>1</b>	<b>800 X 65 X 38</b>		<b>13</b>	<b>2</b>	<b>285 X 25 X 20</b>	
<b>3</b>	<b>1</b>	<b>800 X 65 X 38</b>		<b>14</b>	<b>1</b>	<b>920 X 72 X 25</b>	
<b>4</b>	<b>1</b>	<b>800 X 65 X 38</b>		<b>15</b>	<b>1</b>	<b>920 X 40 X 18</b>	
<b>5</b>	<b>2</b>	<b>855 X 80 X 20</b>		<b>16</b>	<b>1</b>	<b>920 X 72 X 25</b>	
<b>5a</b>	<b>2</b>	<b>855 X 80 X 20</b>		<b>17</b>	<b>1</b>	<b>920 X 40 X 18</b>	
<b>6</b>	<b>2</b>	<b>855 X 80 X 20</b>		<b>18</b>	<b>1</b>	<b>1944 X 35 X 10</b>	
<b>7</b>	<b>4</b>	<b>262 X 320 X 16</b>		<b>19</b>	<b>1</b>	<b>2000 X 140 X 20</b>	
<b>8</b>	<b>2</b>	<b>855 X 262 X 16</b>		<b>20</b>	<b>1</b>	<b>2000 X 140 X 20</b>	
<b>9</b>	<b>2</b>	<b>188 X 30 X 20</b>		<b>21</b>	<b>1</b>	<b>2000 X 80 X 20</b>	
<b>10</b>	<b>1</b>	<b>415 X 80 X 20</b>		<b>22</b>	<b>5</b>	<b>272 X 320 X 16</b>	
<b>11</b>	<b>1</b>	<b>415 X 80 X 20</b>		<b>23</b>	<b>13</b>	<b>900 X 63 X 18</b>	
				<b>24</b>	<b>14</b>	<b>900 X 63 X 18</b>	




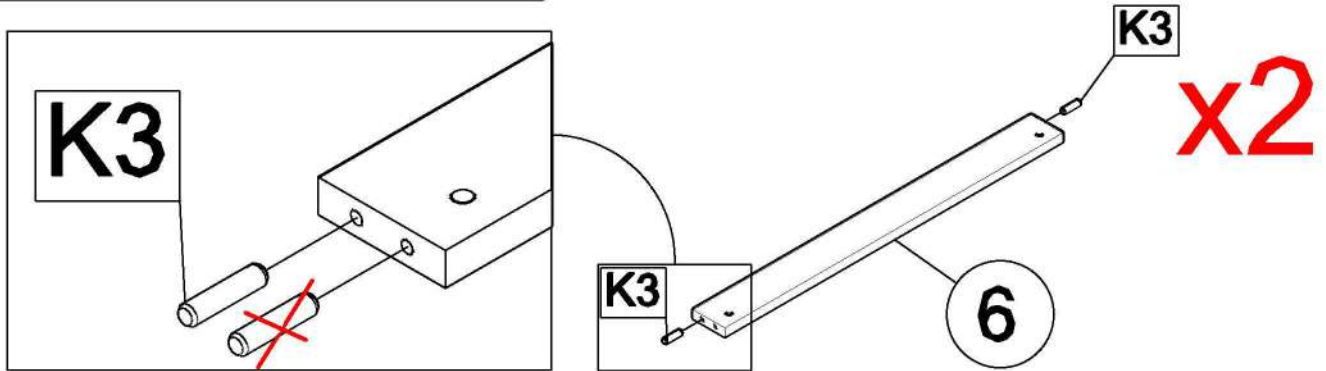
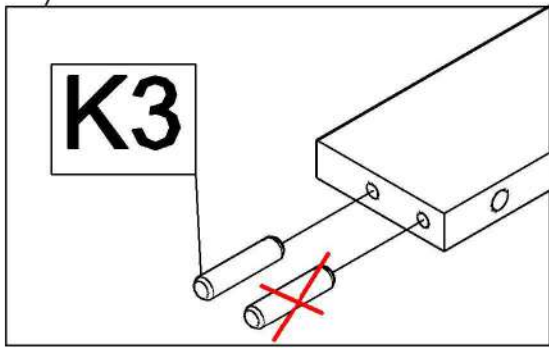
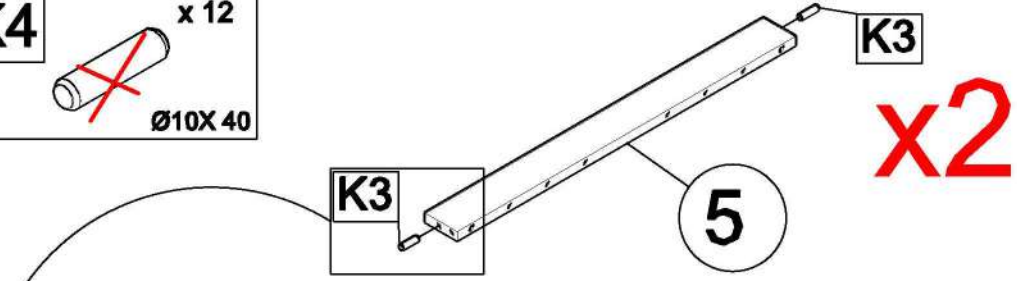
**K1** x 46  
  
 Ø8 X 35

**K2** x 8  
  
 Ø8 X 30


**K3** x 4  
  
 Ø8 X 40

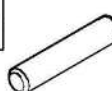
1


**K4** x 12  
  
 Ø10 X 40




**K1** x 46  
  
 Ø8 X 35

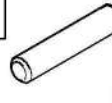
**K2** x 8  
  
 Ø8 X 30

**K3** x 4  
  
 Ø8 X 40


**K4** x 12  
  
 Ø10 X 40

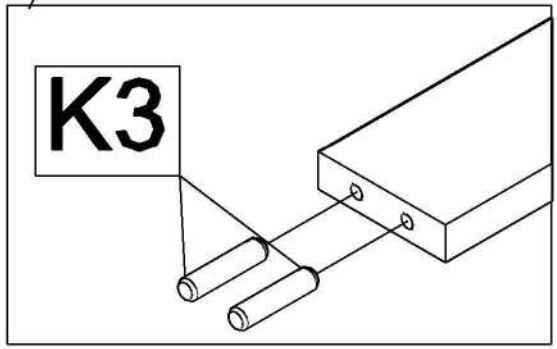
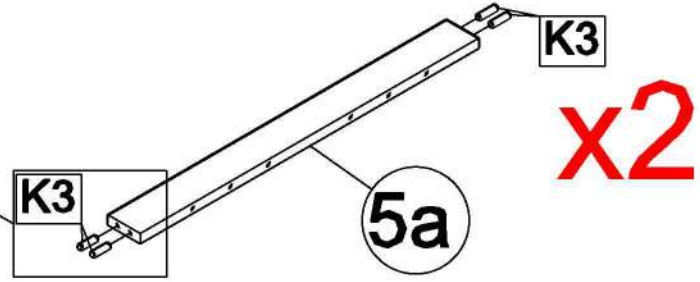
**K1** x 46  
  
 Ø8 X 35

**K2** x 8  
  
 Ø8 X 30

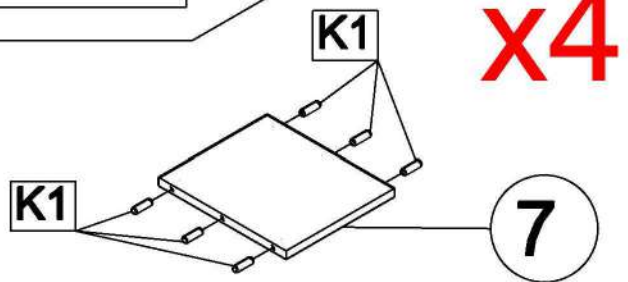
**K3** x 8  
  
 Ø8 X 40


**3**


**K4** x 12  
  
 Ø10X 40




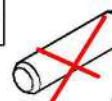
**4**

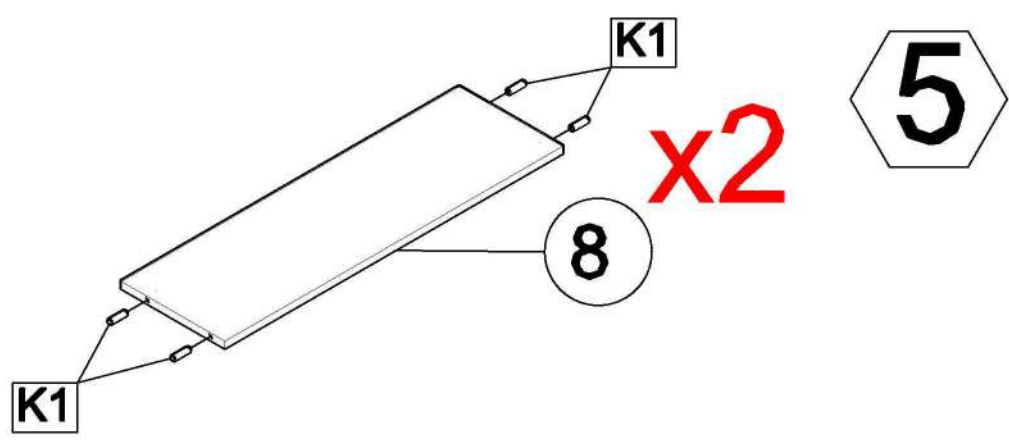


**K1** 24  
  
 Ø8 X 35

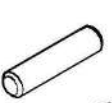
**K2** x 8  
  
 Ø8 X 30


**K3** x 4  
  
 Ø8 X 40


**K4** x 12  
  
 Ø10X 40




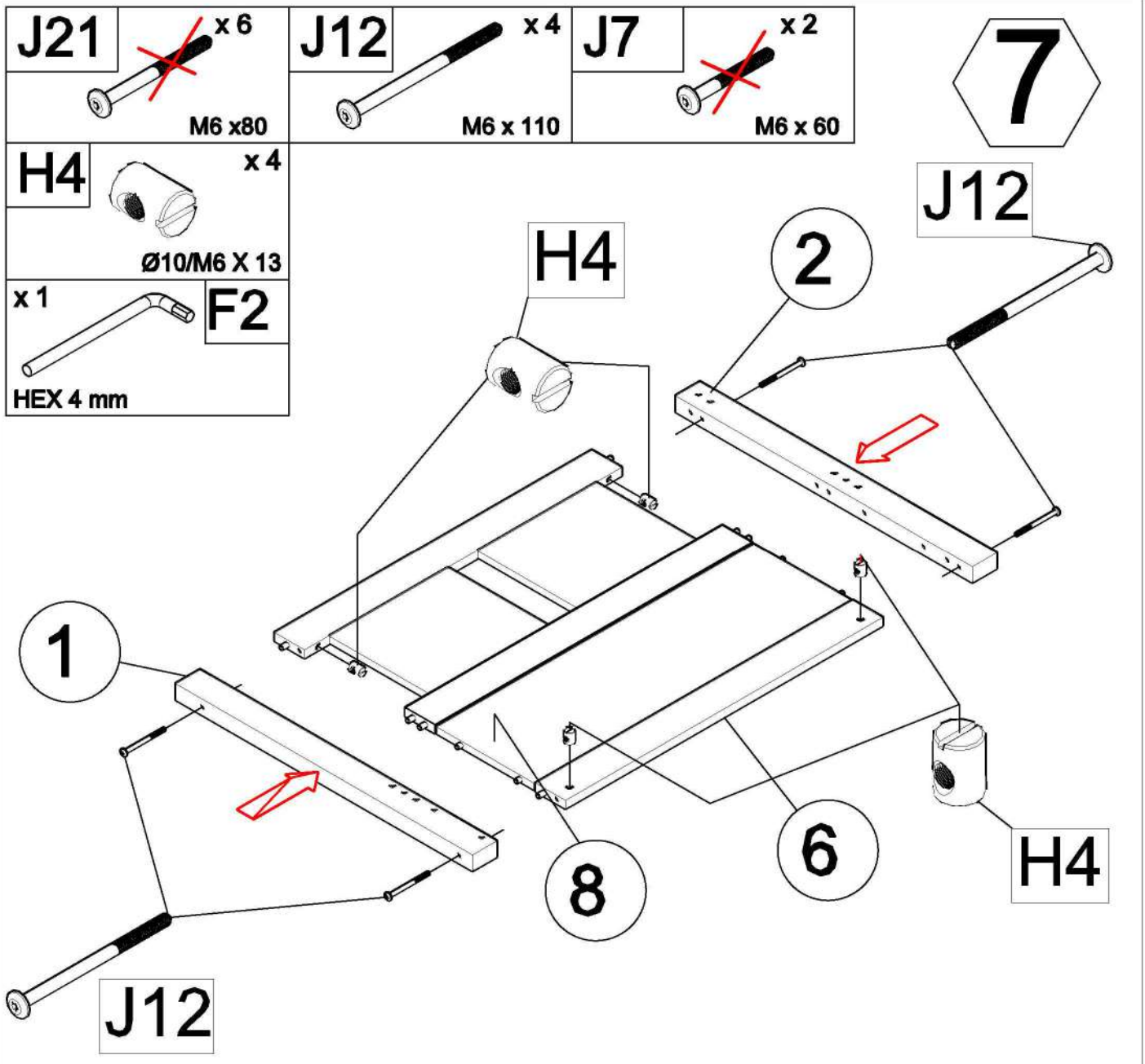
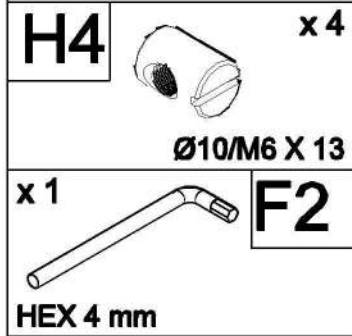
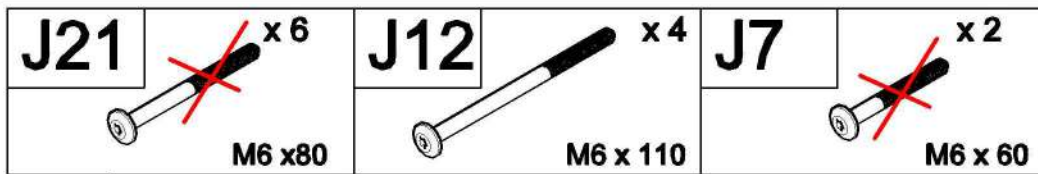
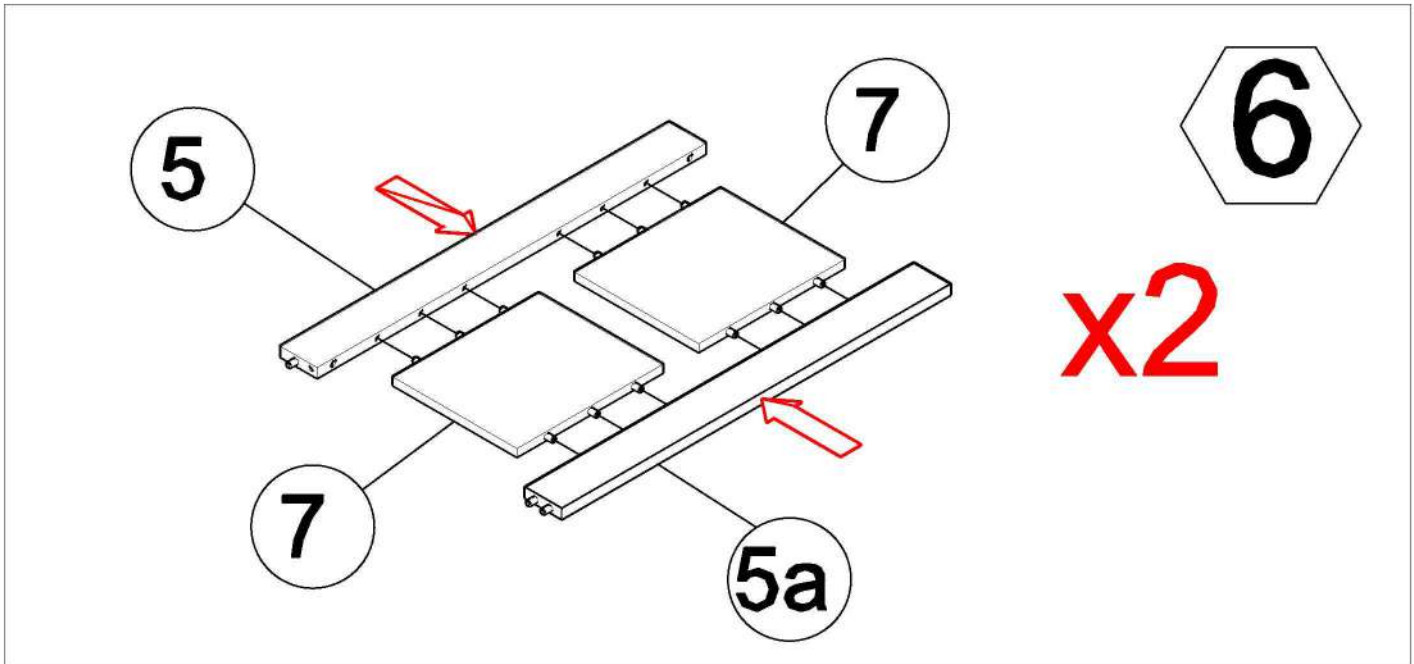
**5**

**K1** x 8  
  
 Ø8 X 35

**K2** x 8  
  
 Ø8 X 30

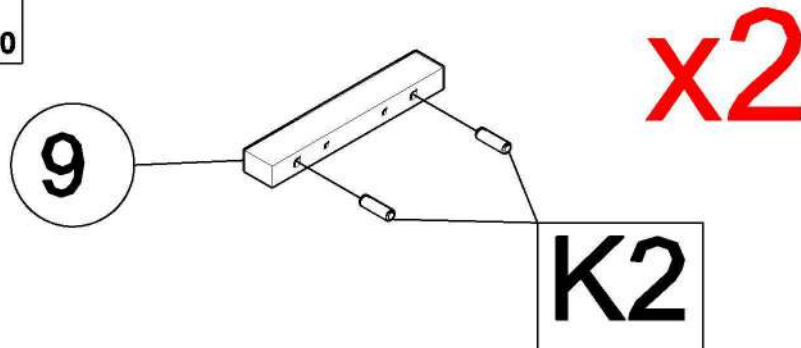
**K3** x 6  
  
 Ø8 X 40

**K4** x 12  
  
 Ø10X 40



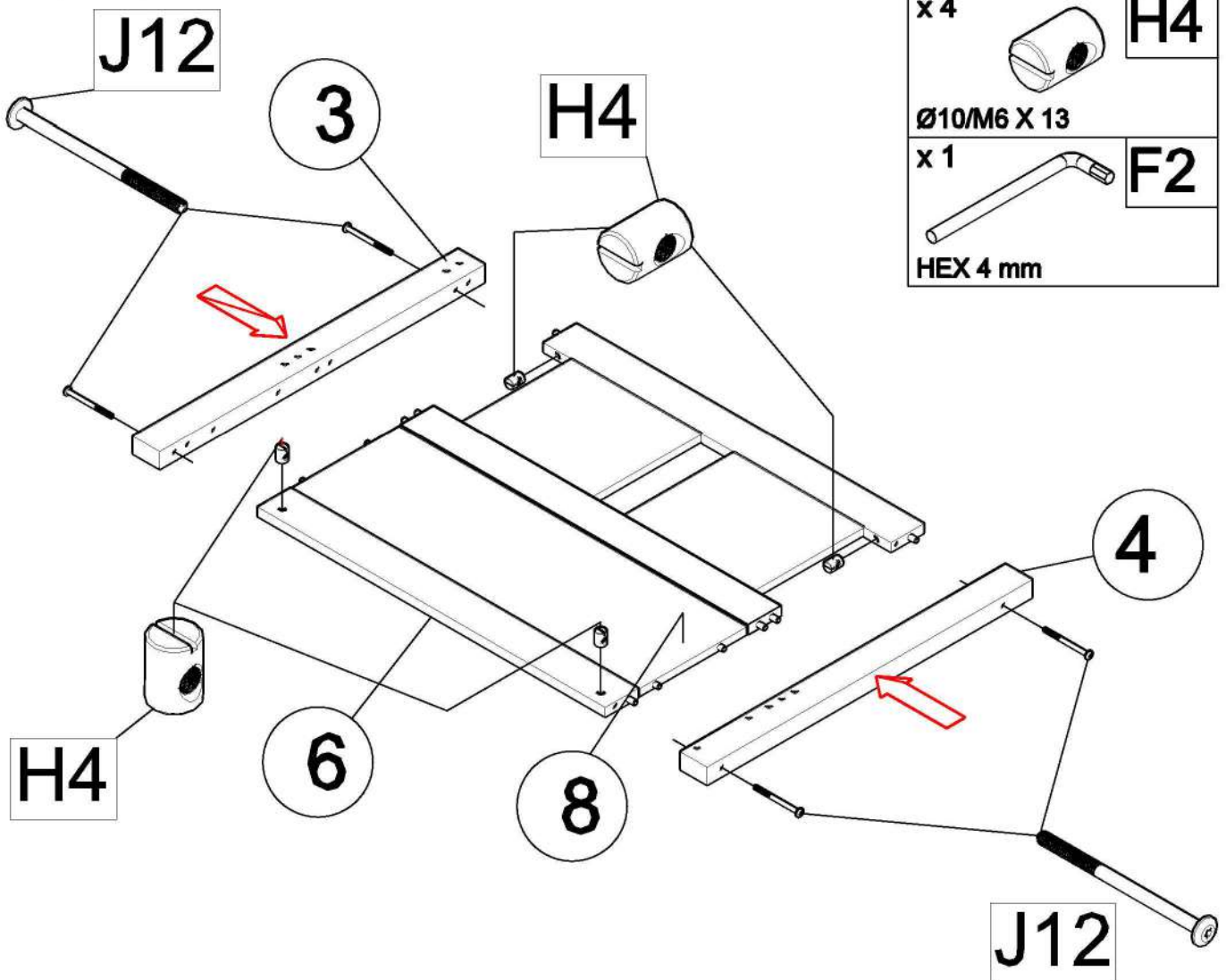
<b>K1</b> x 46 Ø8 X 35	<b>K2</b> x 4 Ø8 X 30	<b>K3</b> x 8 Ø8 X 40
<b>K4</b> x 12 Ø10X 40		

8

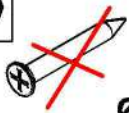




9

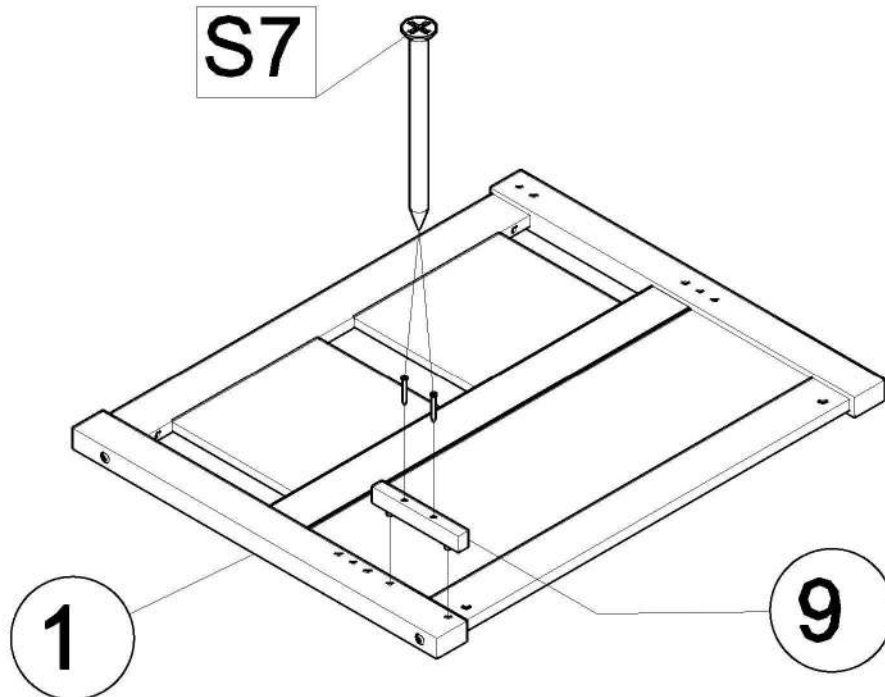
x 2 M6 x 60	<b>J7</b> x 4 M6 x 110	<b>J12</b> x 6 M6 x 80	<b>J21</b>
		x 4 Ø10/M6 X 13 <b>H4</b>	
		x 1 HEX 4 mm <b>F2</b>	


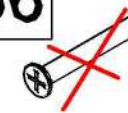
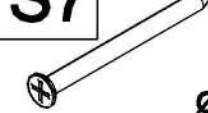




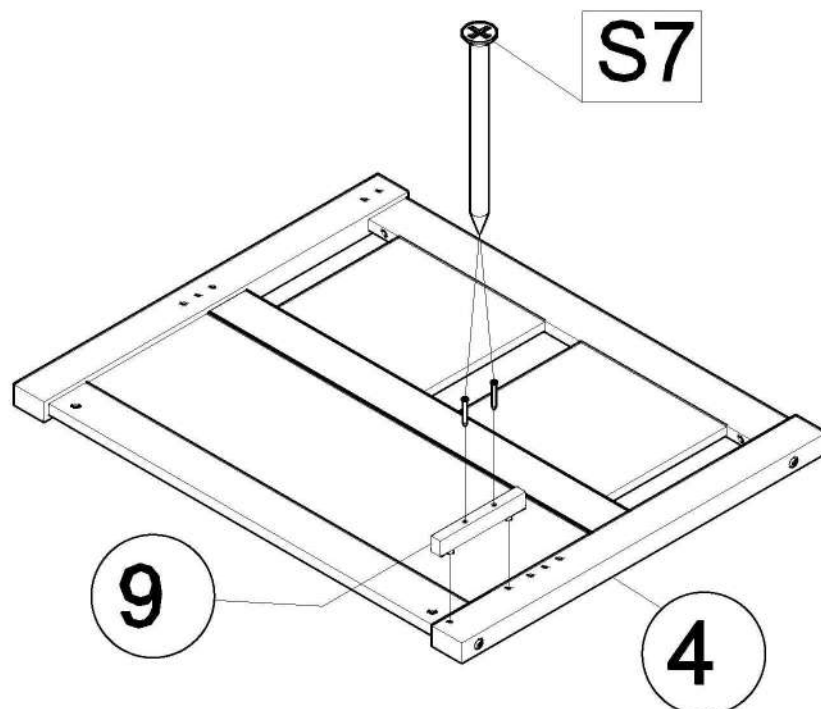
<b>S5</b>	x 45	<b>S6</b>	x 6	<b>S7</b>	x 2
					
Ø3,5 X 30		Ø3,5 X 35		Ø3,5 X 50	

10



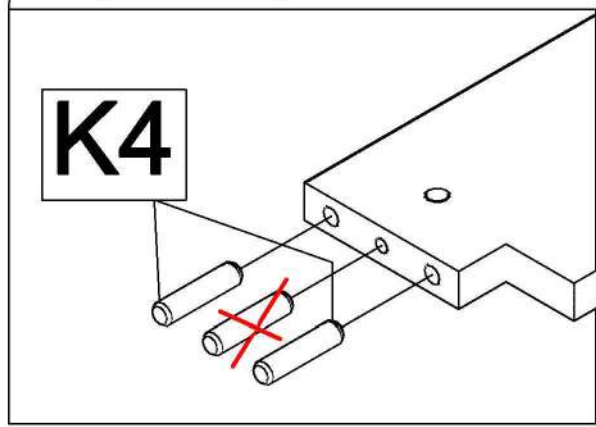
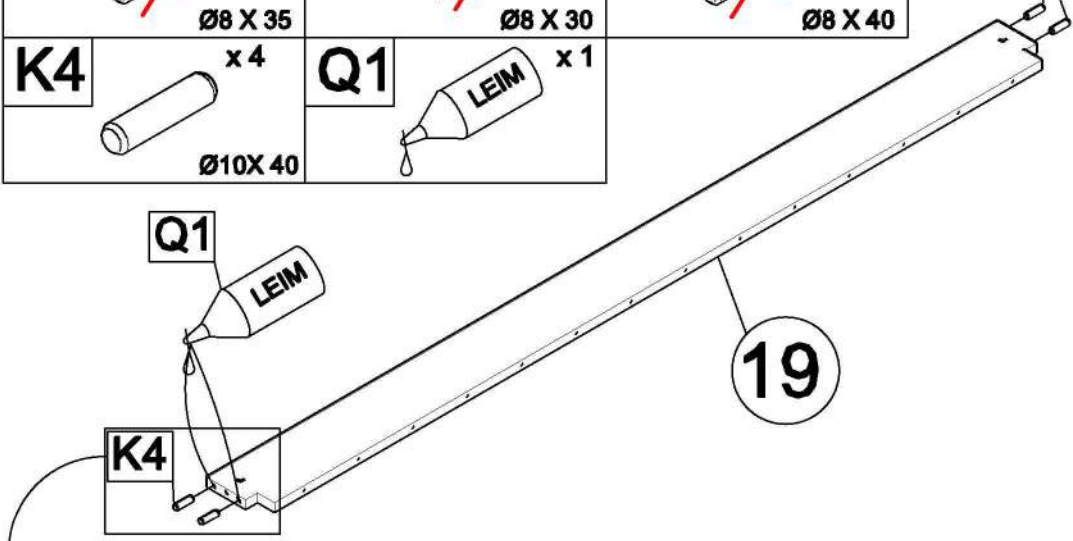
<b>S5</b>	x 45	<b>S6</b>	x 6	<b>S7</b>	x 2
					
Ø3,5 X 30		Ø3,5 X 35		Ø3,5 X 50	

11

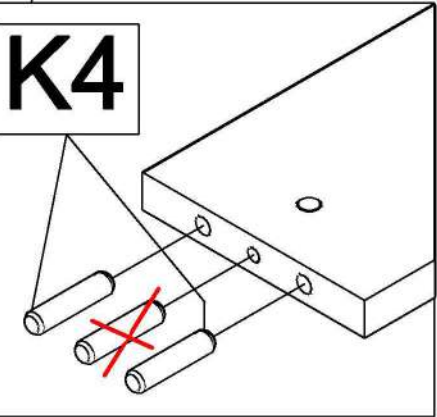
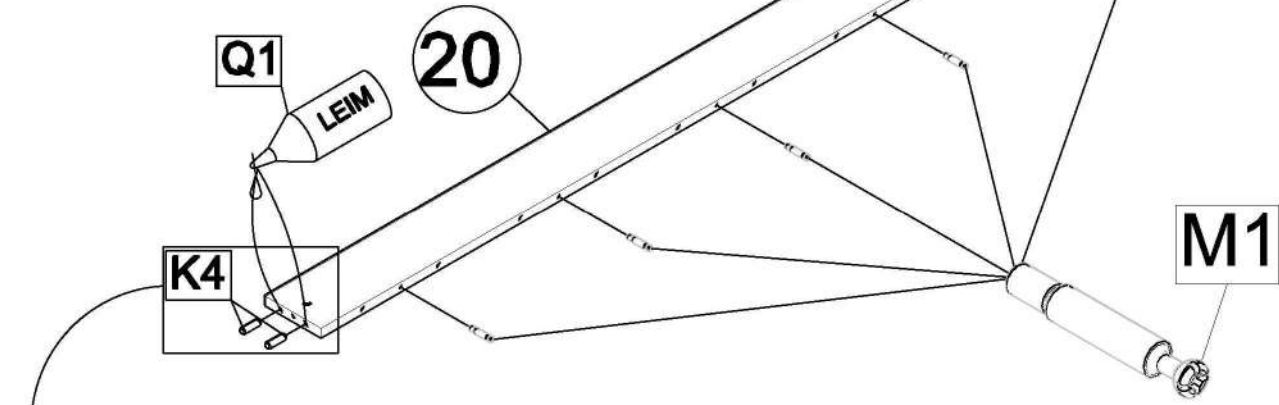


12






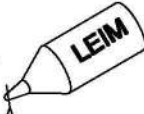
<b>K1</b> x 46 Ø8 X 35	<b>K2</b> x 8 Ø8 X 30	<b>K3</b> x 8 Ø8 X 40
<b>K4</b> x 4 Ø10X 40	<b>Q1</b> LEIM x 1	



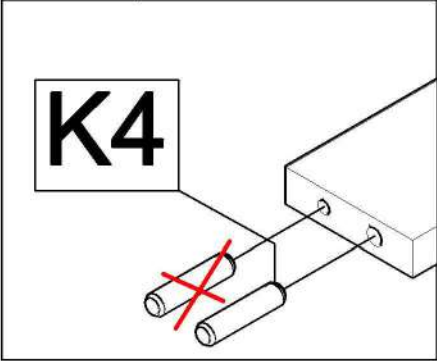
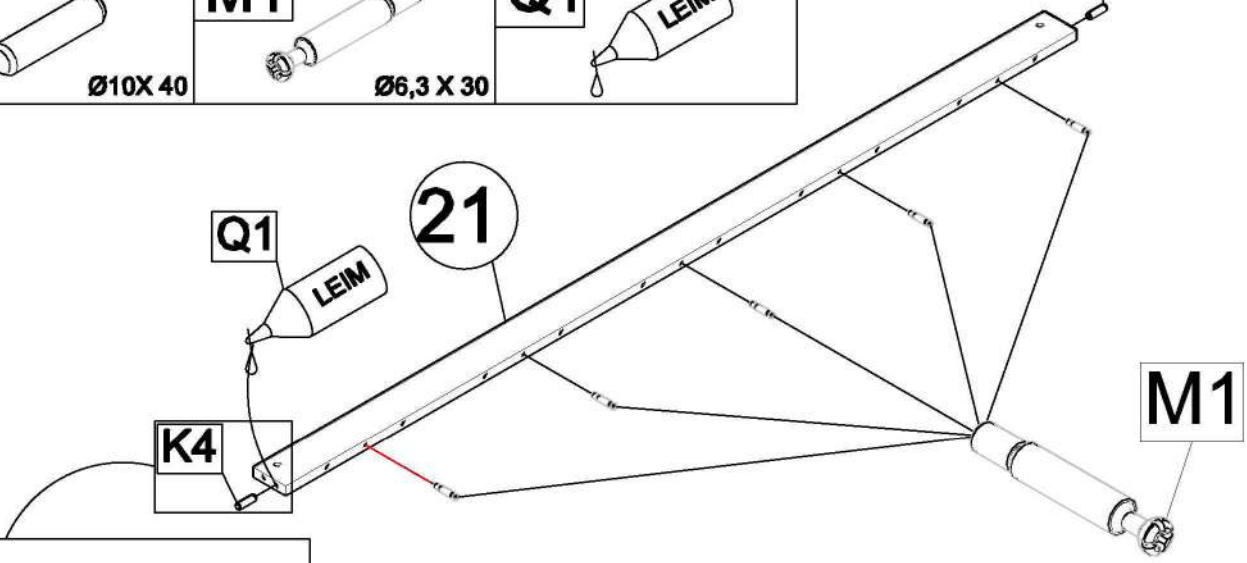
13



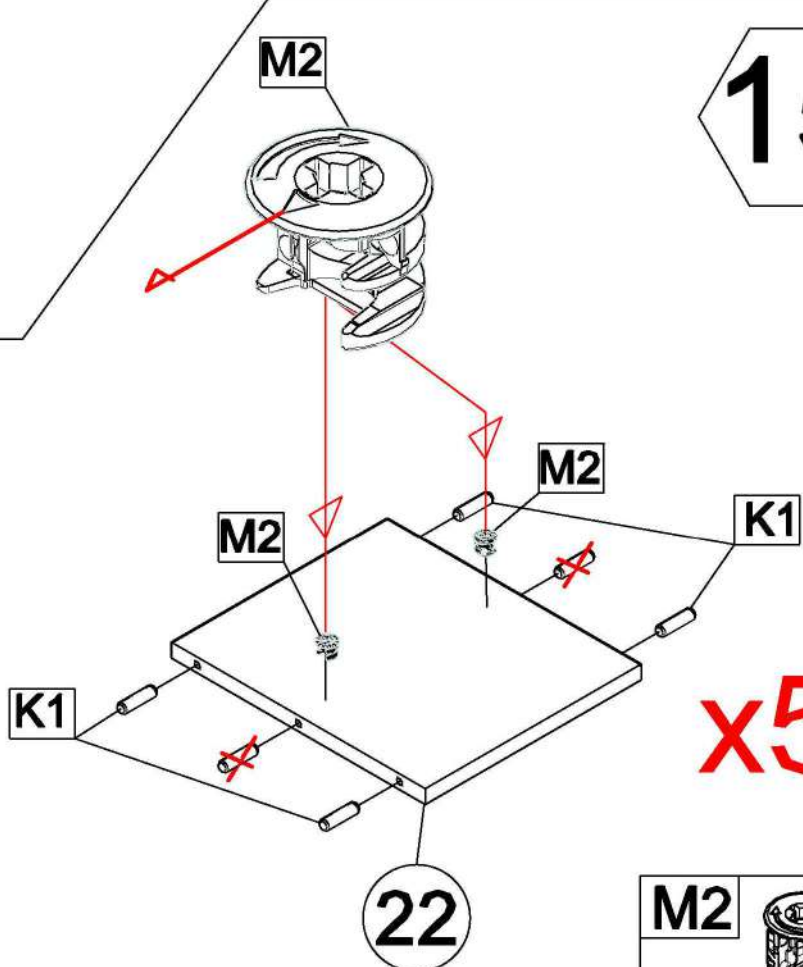
<b>Q1</b> LEIM x 1	<b>M1</b> x 5 Ø6,3 X 30	<b>K4</b> x 4 Ø10X 40
<b>K1</b> x 46 Ø8 X 35	<b>K2</b> x 8 Ø8 X 30	<b>K3</b> x 8 Ø8 X 40

<b>K1</b>	 x 46 Ø8 X 35	<b>K2</b>	 x 8 Ø8 X 30	<b>K3</b>	 x 8 Ø8 X 40
<b>K4</b>	 x 2 Ø10X 40	<b>M1</b>	 x 5 Ø6,3 X 30	<b>Q1</b>	 x 1 LEIM

**14**

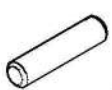





**15**

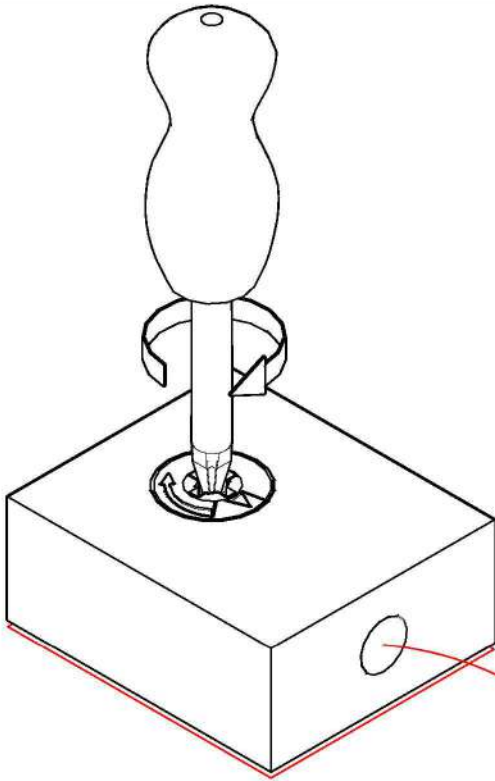


**x5**

<b>M2</b>	 x 10 Ø15
-----------	---

<b>K1</b>	 20 Ø8 X 35	<b>K2</b>	 x 8 Ø8 X 30	<b>K3</b>	 x 4 Ø8 X 40	<b>K4</b>	 x 12 Ø10X 40
-----------	---	-----------	--	-----------	---	-----------	---

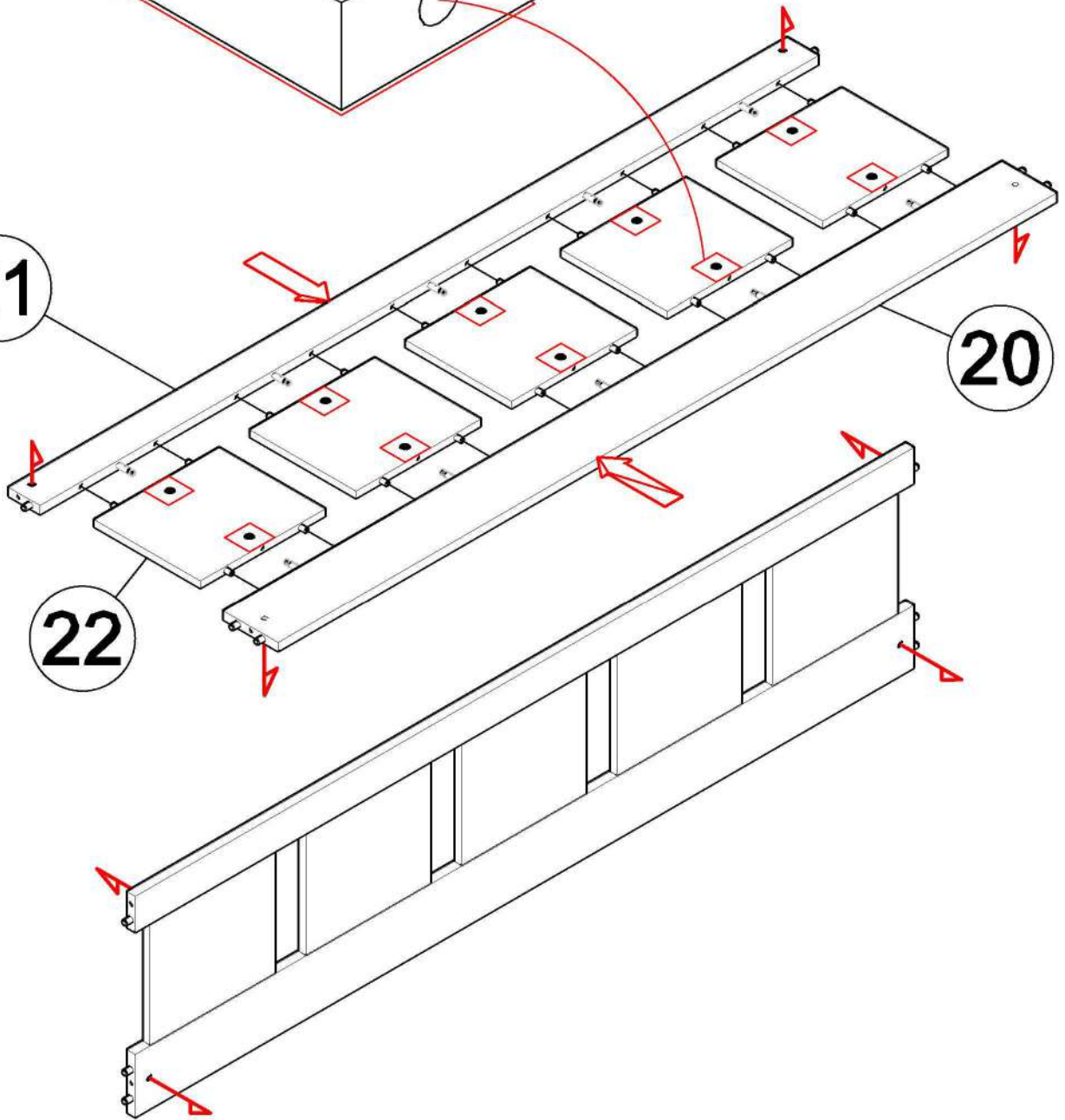
16



21

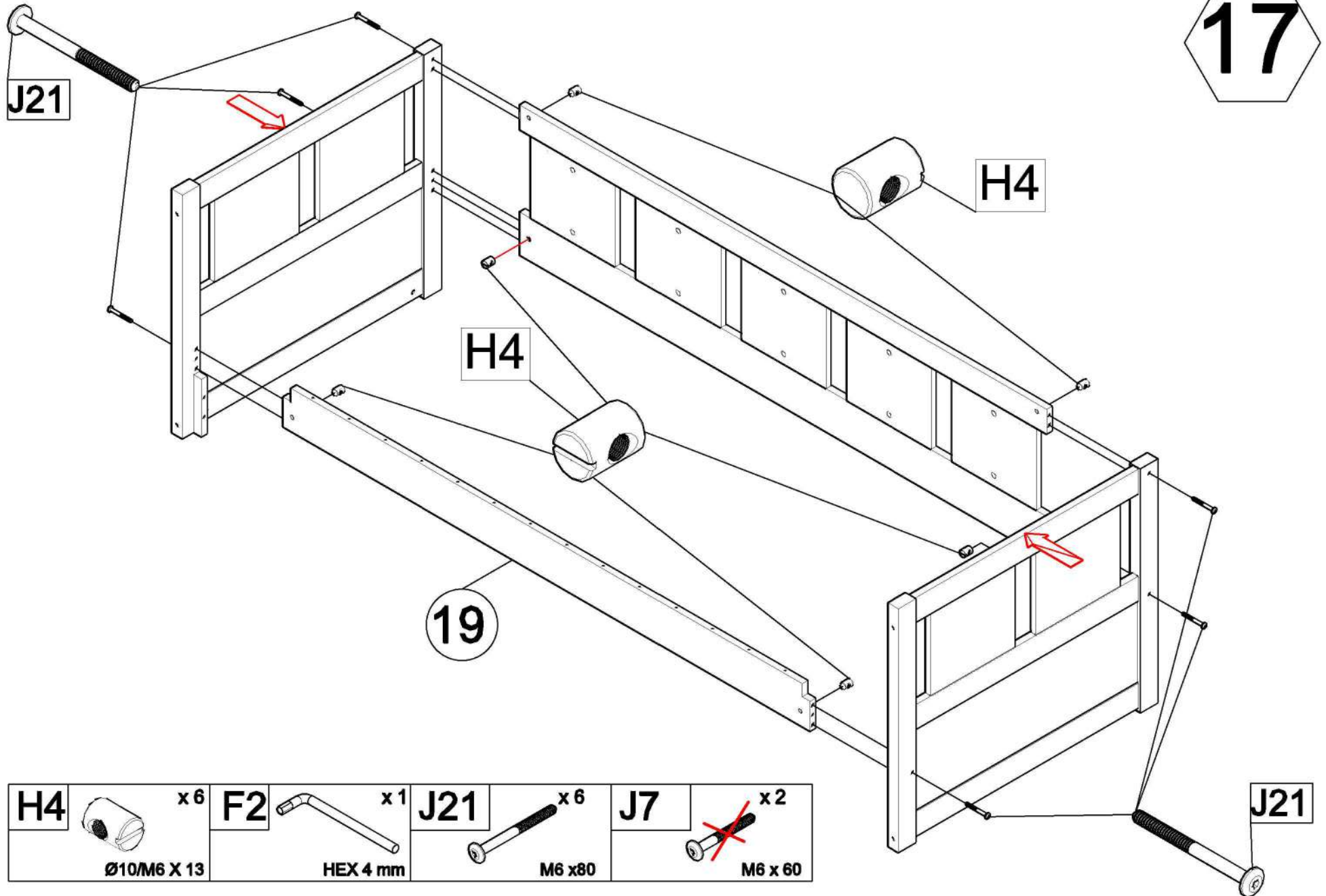
20

22



17

13/26



18

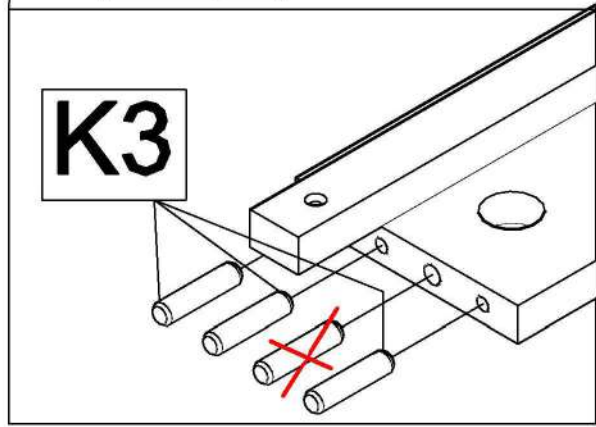
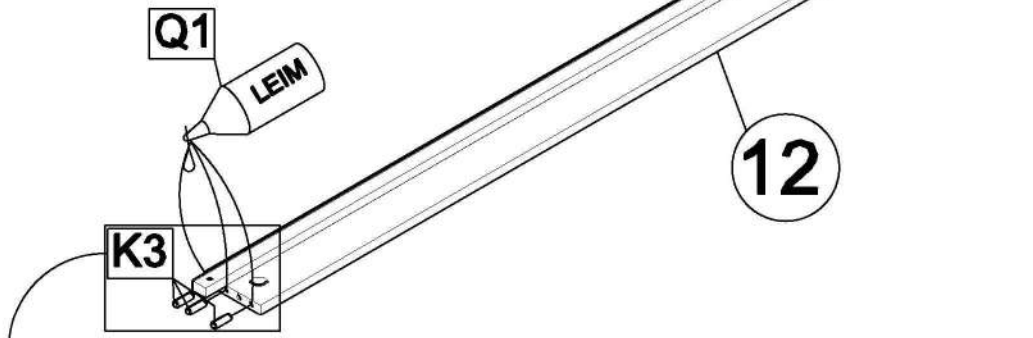
**K1** x 46  
Ø8 X 35

**K2** x 8  
Ø8 X 30

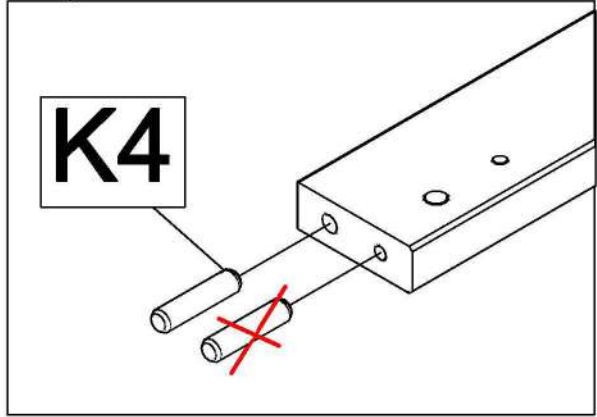
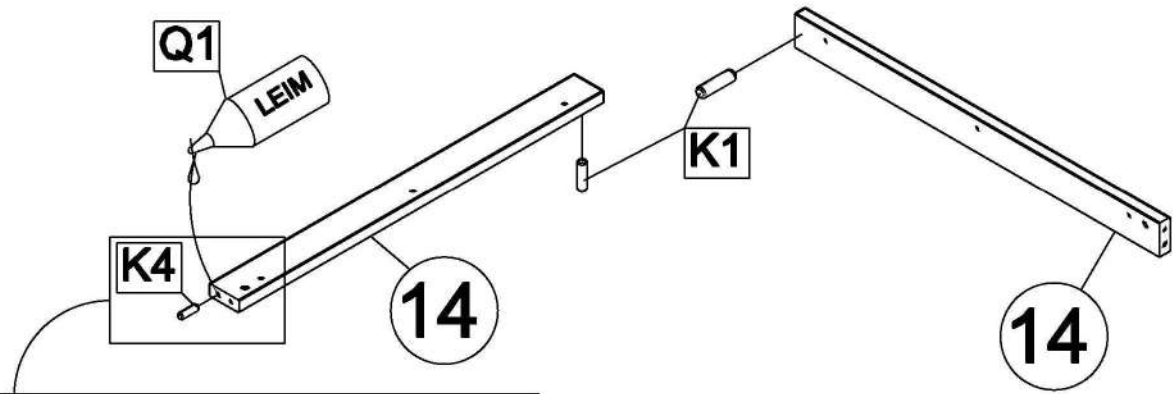
**K3** x 6  
Ø8 X 40

**K4** x 4  
Ø10X 40

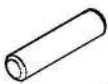

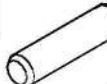
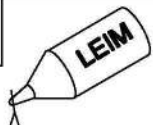
**Q1** LEIM x 1

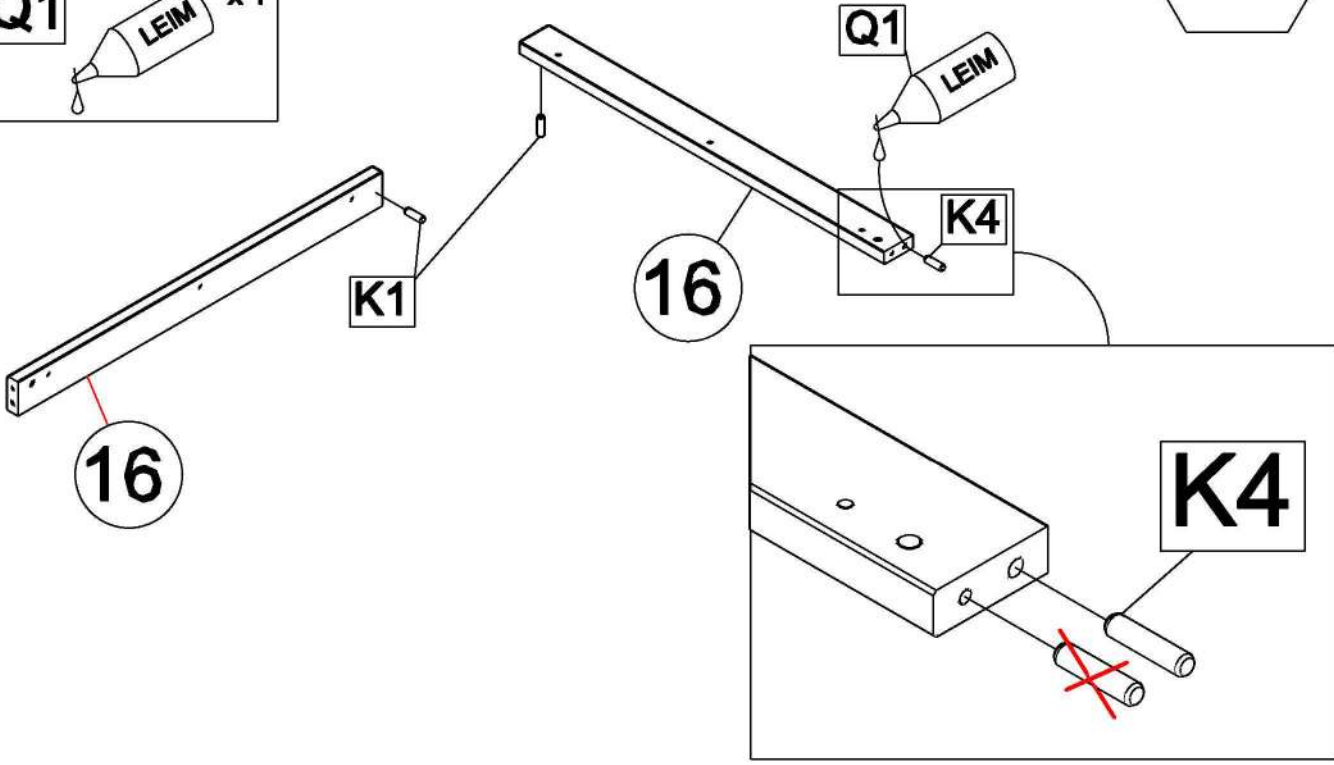





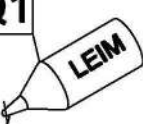
19

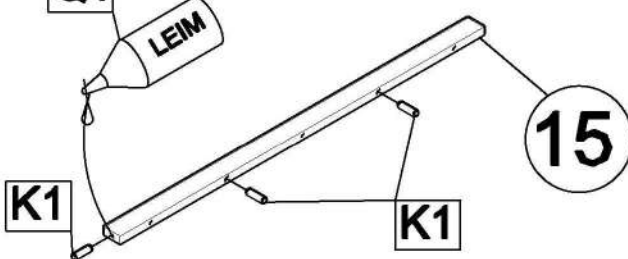


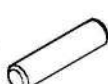



<b>Q1</b> LEIM x 1	<b>K4</b> x 1 Ø10X 40
<b>K1</b> x 1 Ø8 X 35	<b>K2</b> x 4 Ø8 X 30

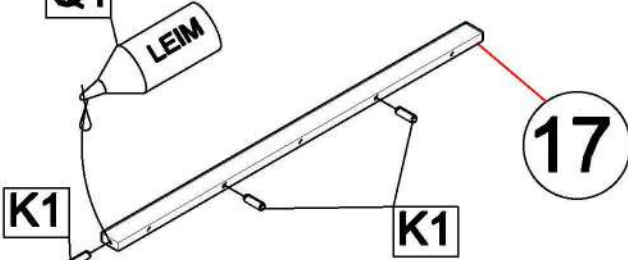
<b>K1</b>  x 1 Ø8 X 35	<b>K2</b>  x 4 Ø8 X 30	<b>K4</b>  x 1 Ø10X 40	<div style="border: 2px solid black; border-radius: 50%; width: 60px; height: 60px; display: flex; align-items: center; justify-content: center; margin: 0 auto;"> <span style="font-size: 48px; font-weight: bold;">20</span> </div>
<b>Q1</b>  x 1			

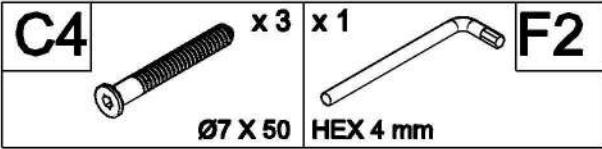


<b>K1</b>  x 3 Ø8 X 35	<b>K2</b>  x 4 Ø8 X 30	<b>Q1</b>  x 1	<div style="border: 2px solid black; border-radius: 50%; width: 60px; height: 60px; display: flex; align-items: center; justify-content: center; margin: 0 auto;"> <span style="font-size: 48px; font-weight: bold;">21</span> </div>
<b>Q1</b> 			

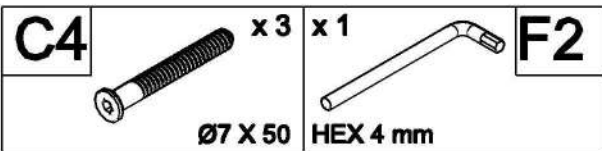
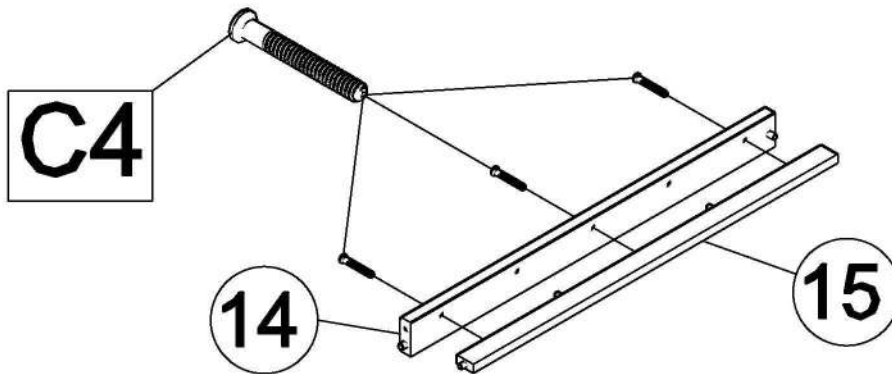


<b>K1</b>  x 3 Ø8 X 35	<b>K2</b>  x 4 Ø8 X 30	<b>Q1</b>  x 1	<div style="border: 2px solid black; border-radius: 50%; width: 60px; height: 60px; display: flex; align-items: center; justify-content: center; margin: 0 auto;"> <span style="font-size: 48px; font-weight: bold;">22</span> </div>
<b>Q1</b> 			

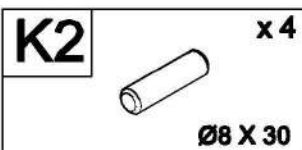
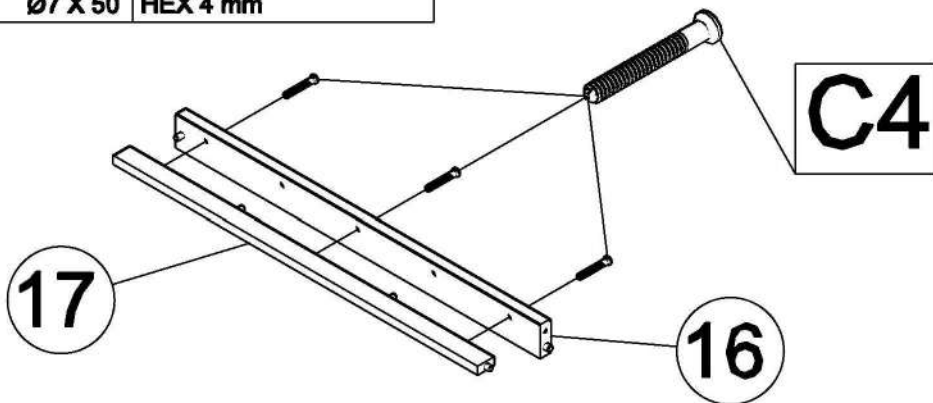




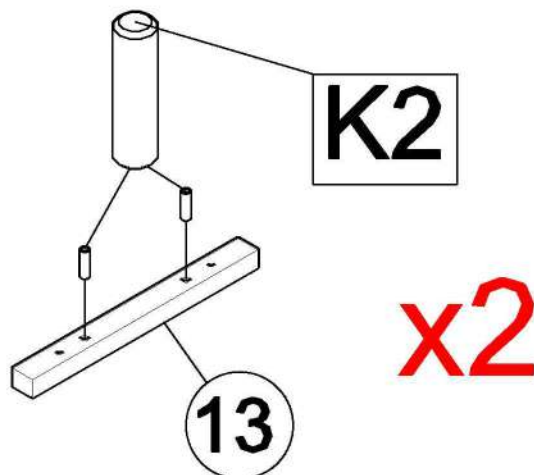
23



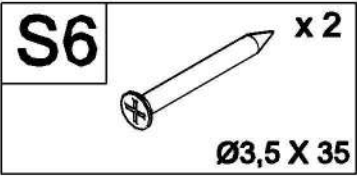
24



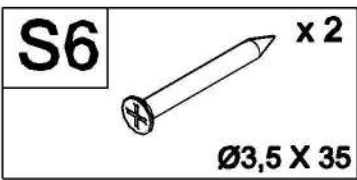
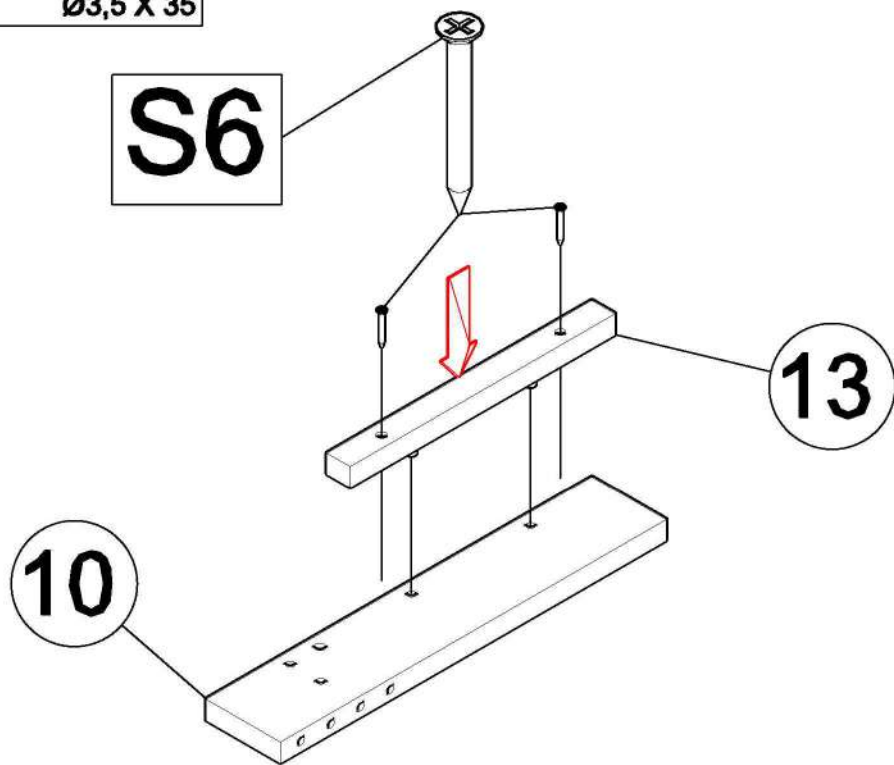
25



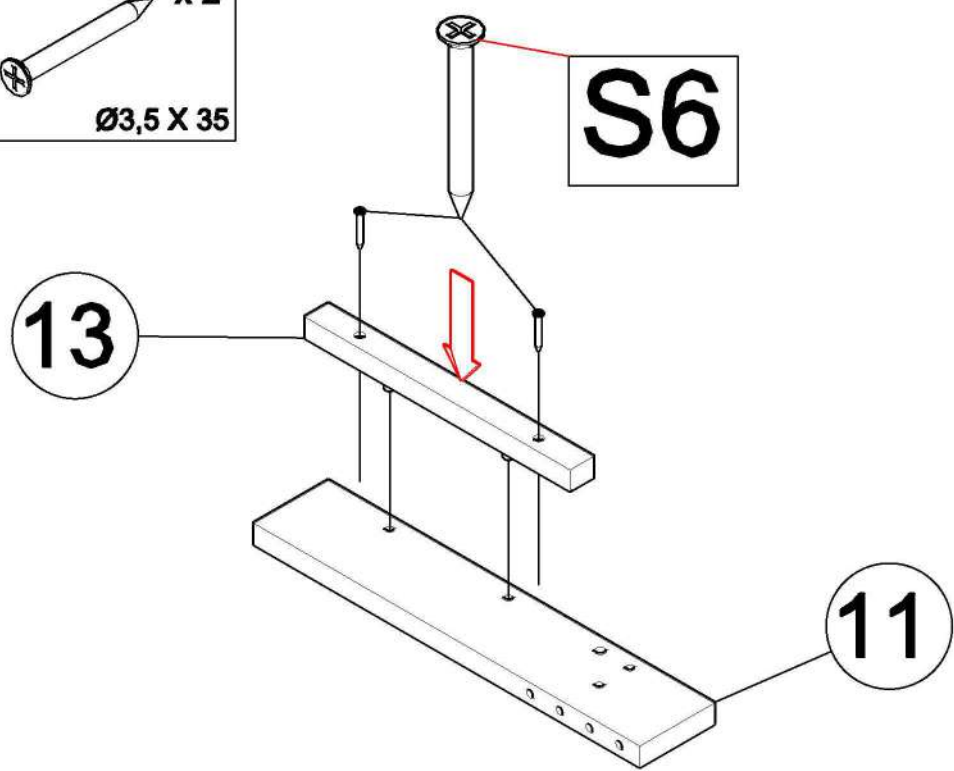




26

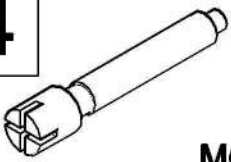


27



**J4**

x 1

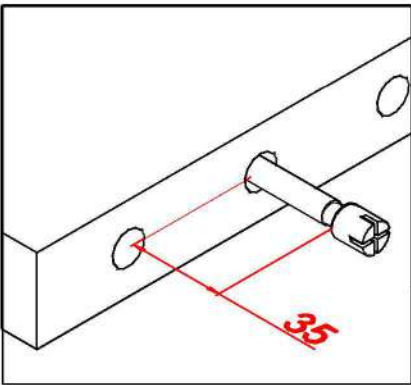


M6 X 50

**28**

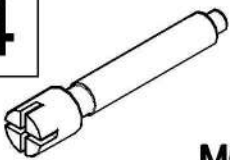
**10**

**J4**



**J4**

x 1

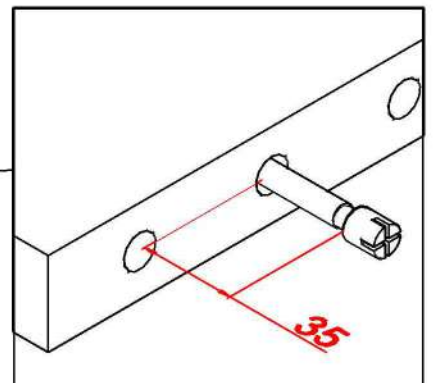



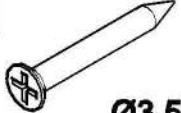
M6 X 50

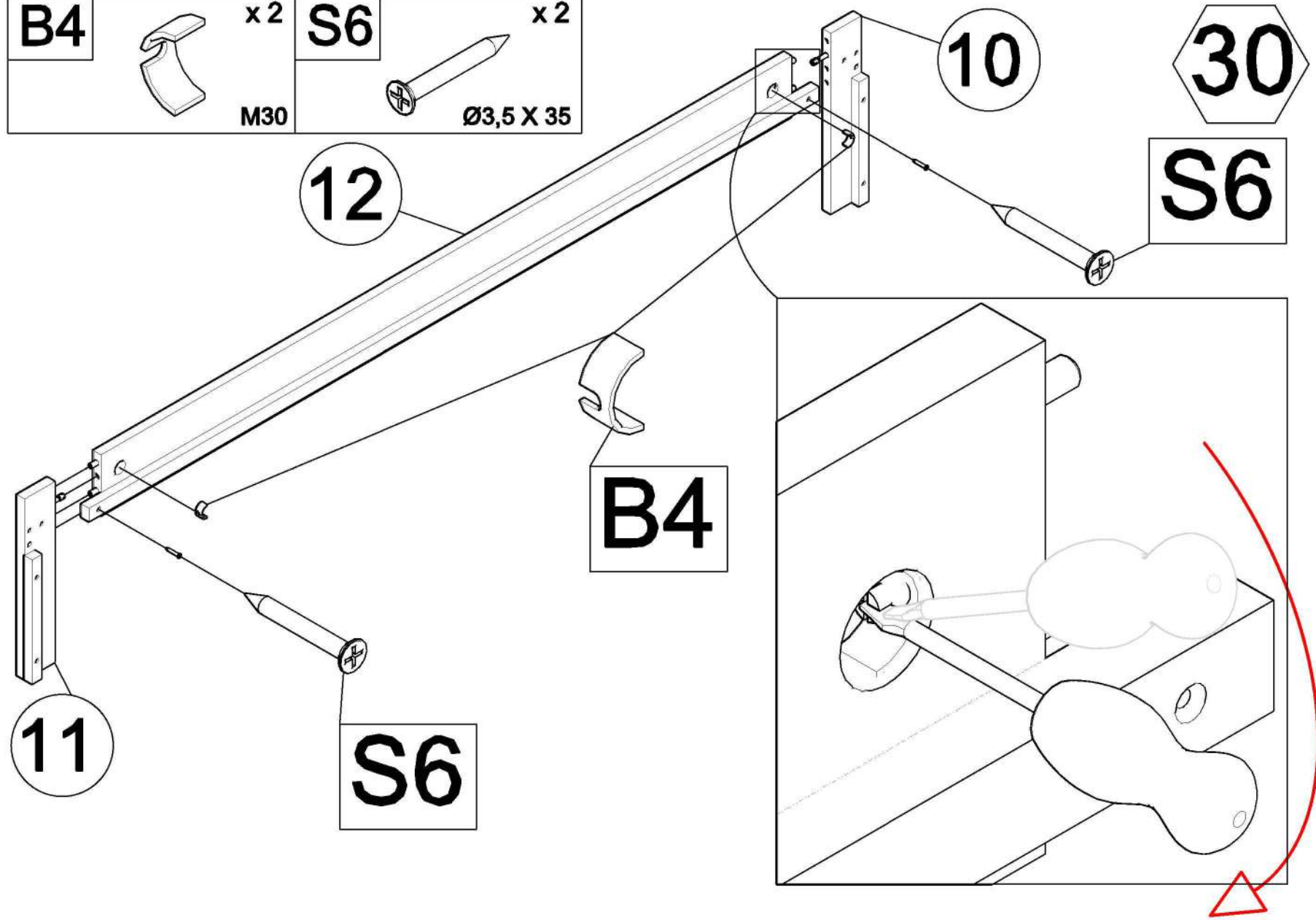
**29**

**11**

**J4**



<b>B4</b>		x 2	<b>S6</b>	x 2
		M30		Ø3,5 X 35



12

10

30

S6

B4

11

S6

J7



M6 X 60

H4



Ø10/M6 X 13

x 2

x 2



HEX 4 mm

F2

S5



Ø3,5 X 30

x 14

S5

24

x14

31

10

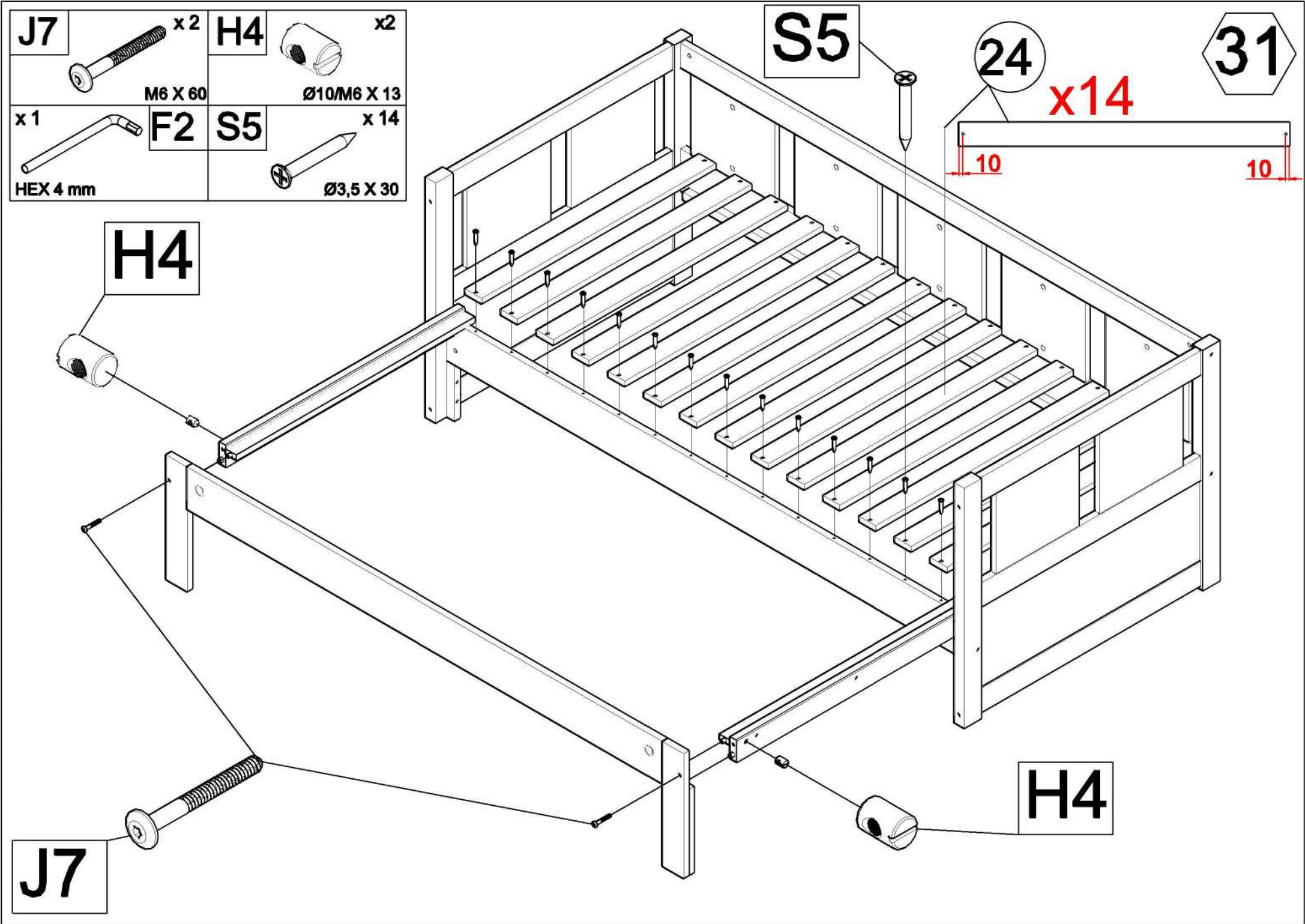
10

H4

H4

J7

20/26



S20

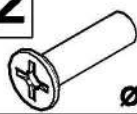
x 2



Ø3,5 X 20

E2

x 13



Ø6,3 X 24

32

S20

E2

S20

23

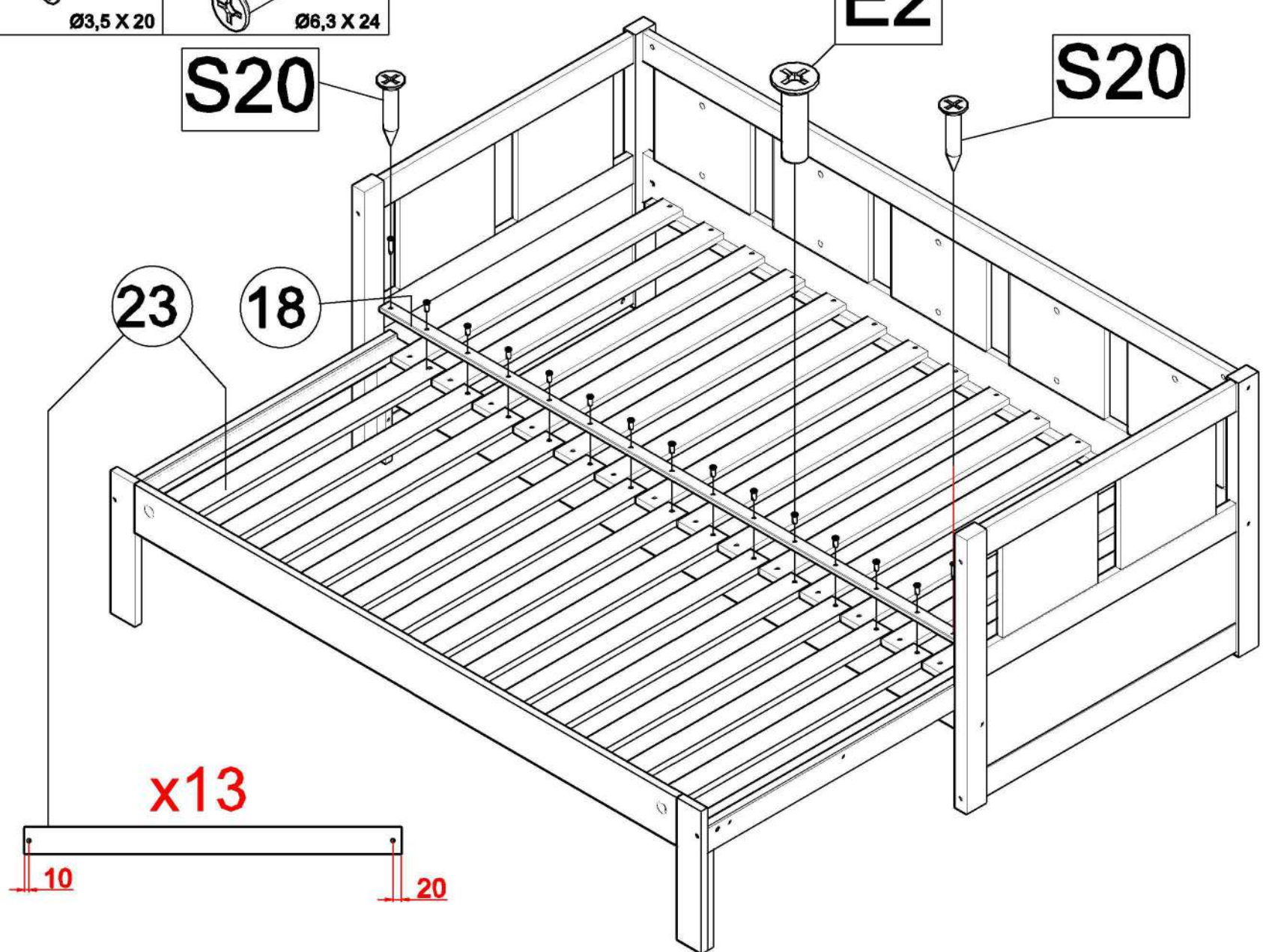
18

21/26

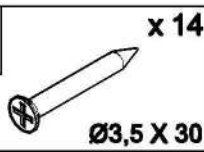
x13

10

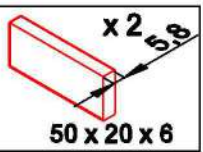
20



S5

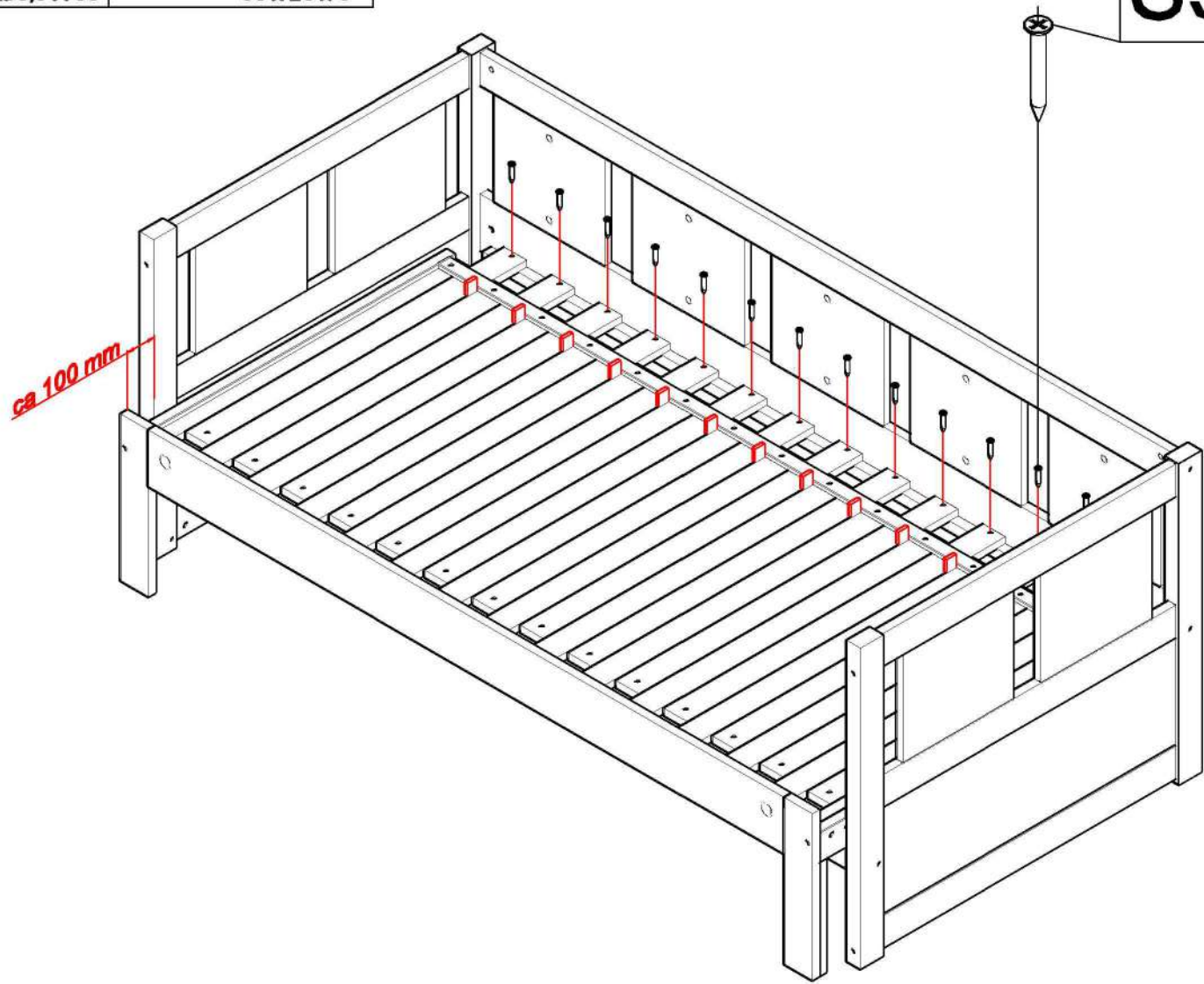


X1



33

S5



22/26

S5

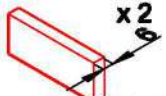
x 13

X1

x 2



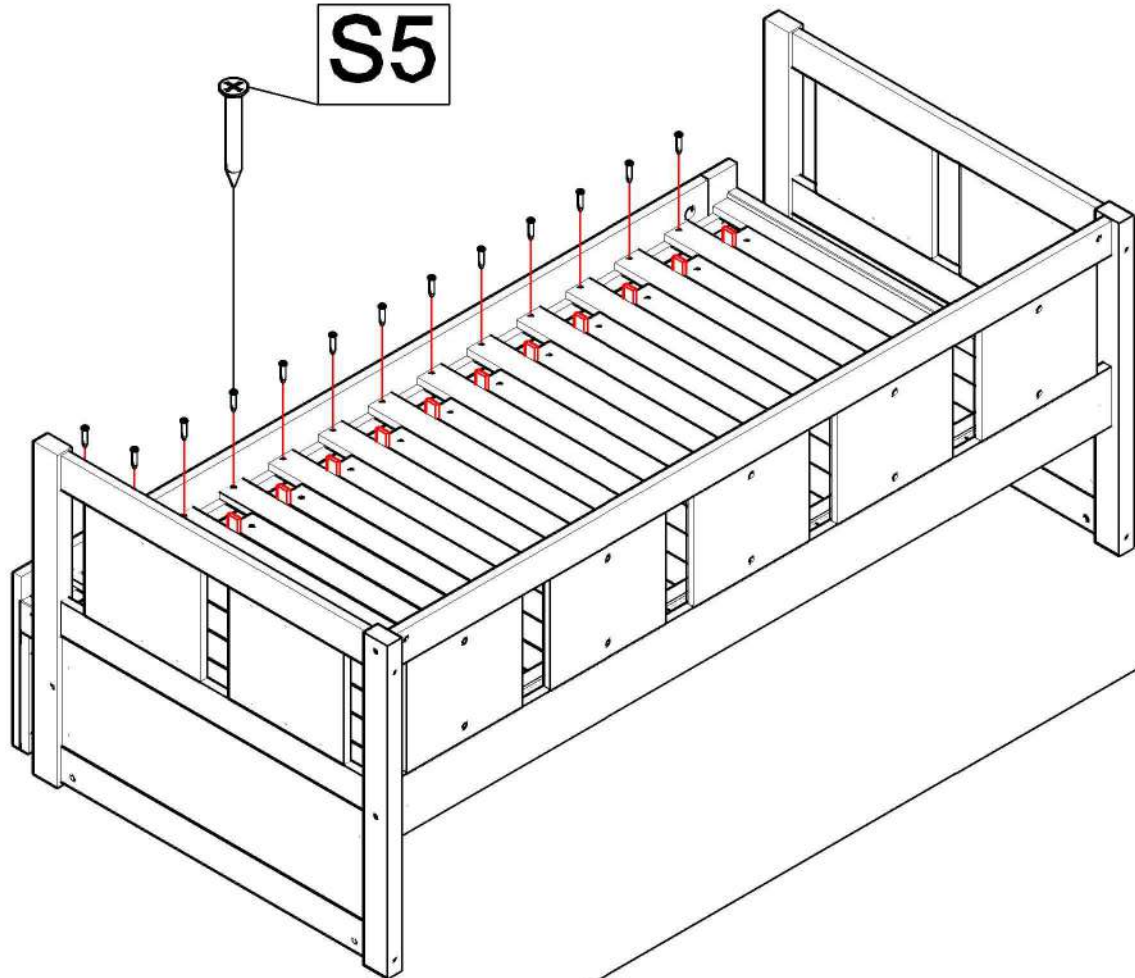
Ø3,5 X 30



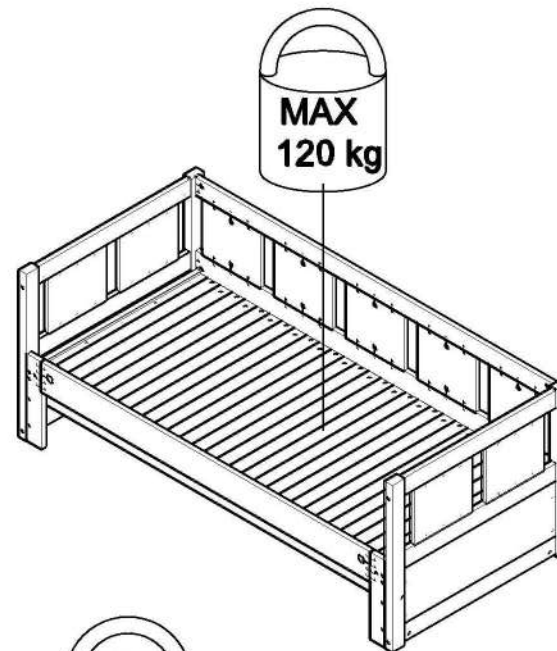
50 x 20 x 6

34

S5



23/26



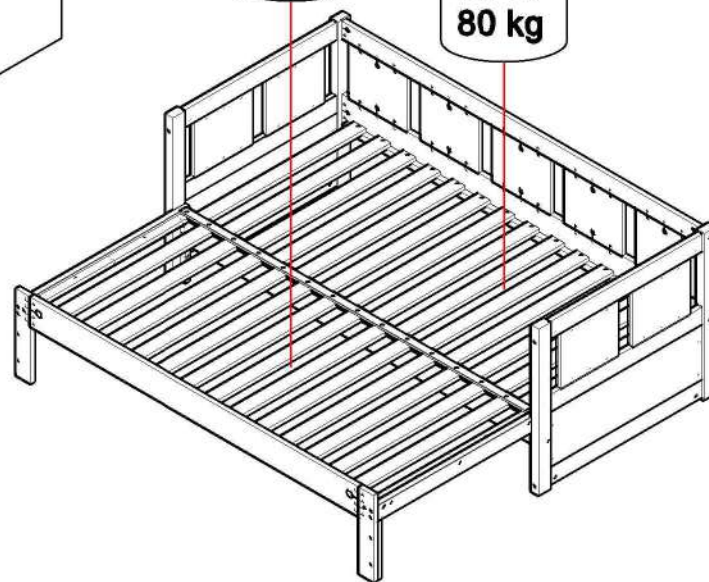
MAX  
120 kg

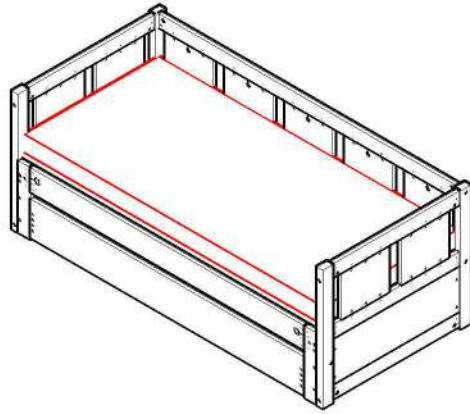


MAX  
60 kg

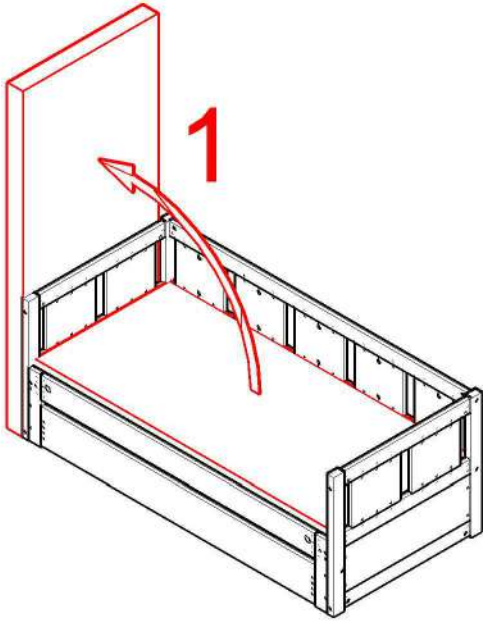


MAX  
80 kg

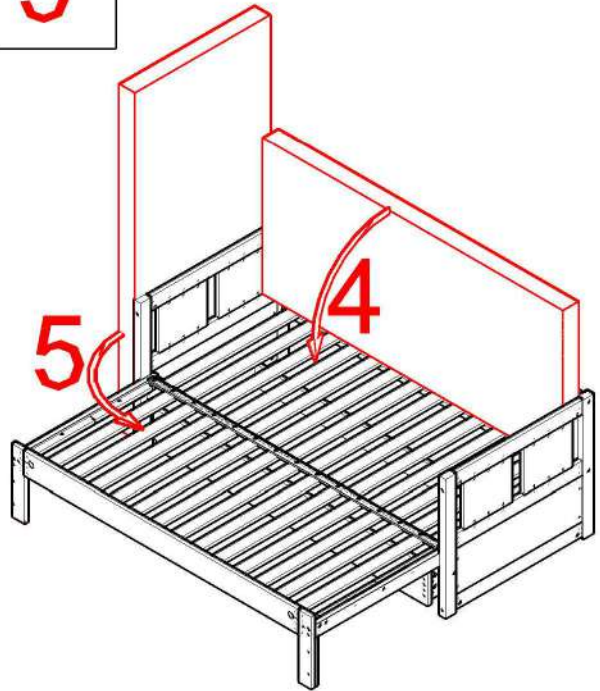




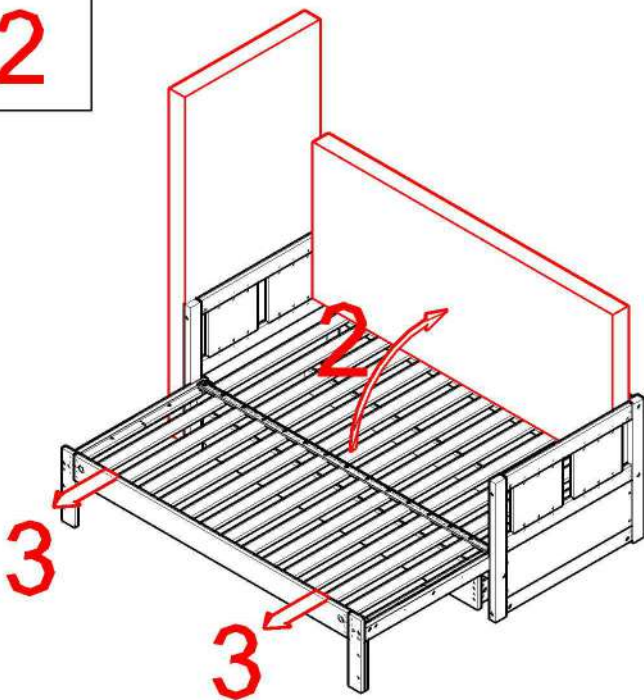
1



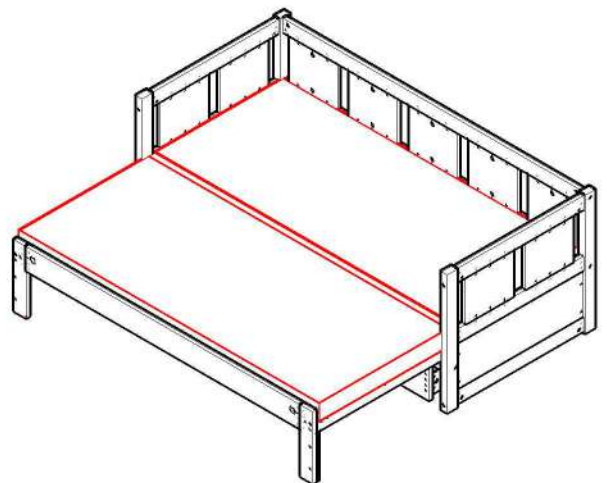
3



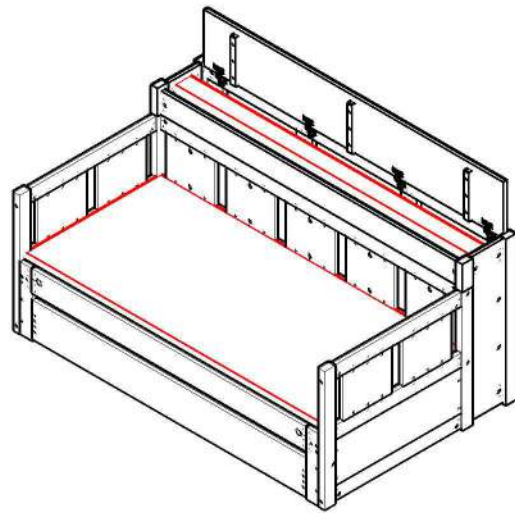
2



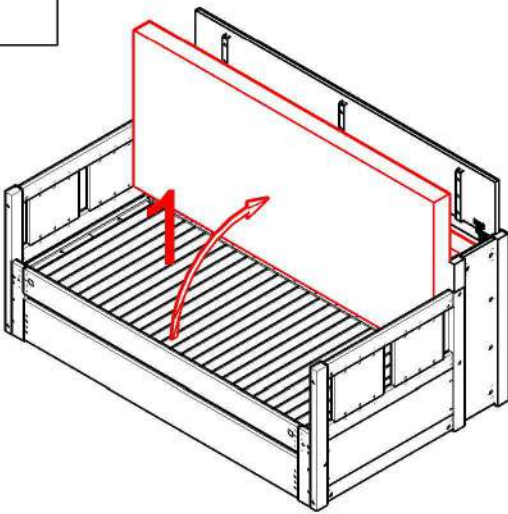
4



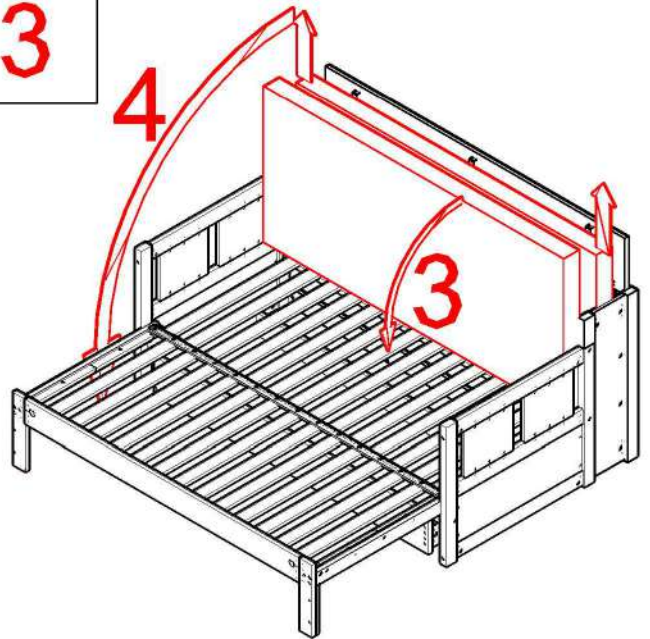




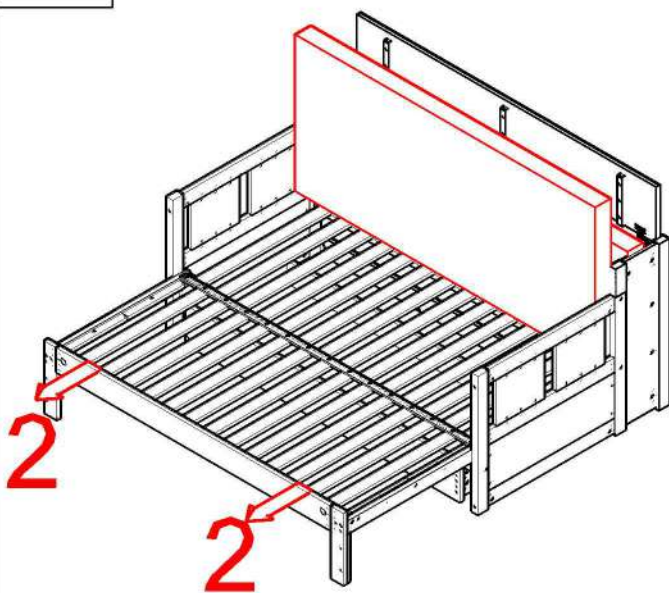
1



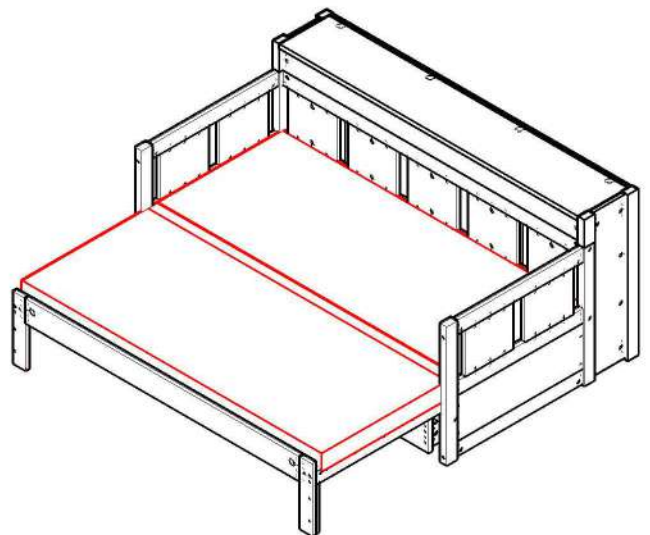
3

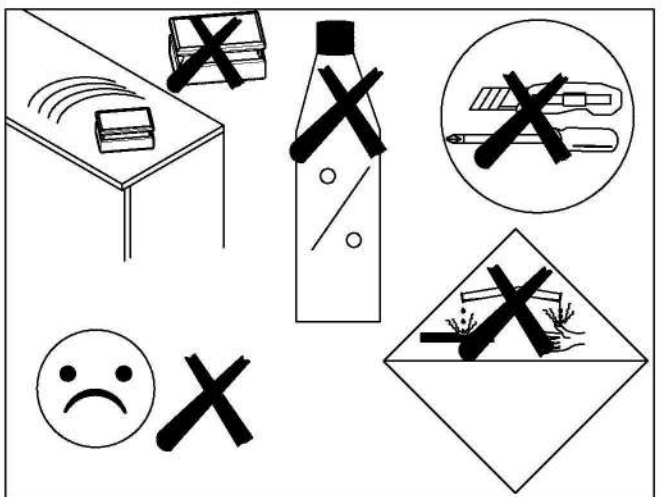
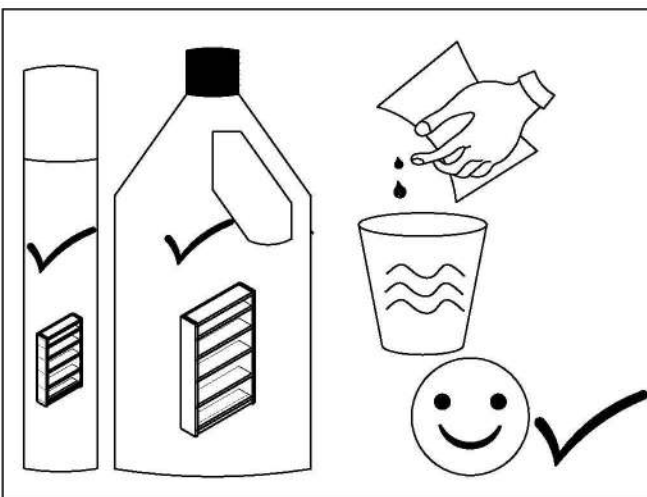
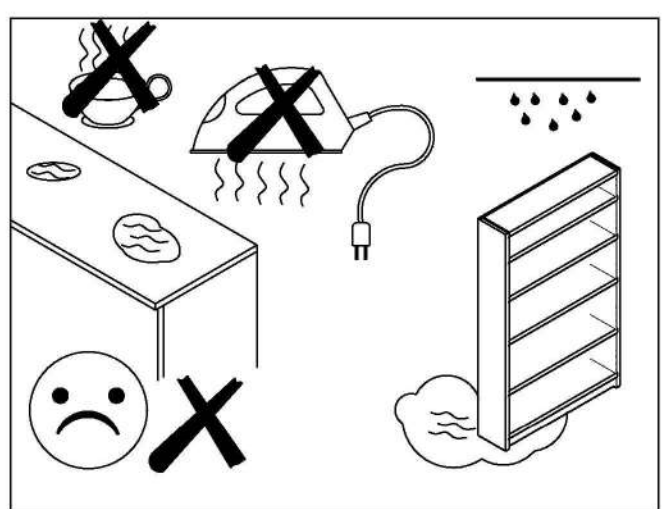
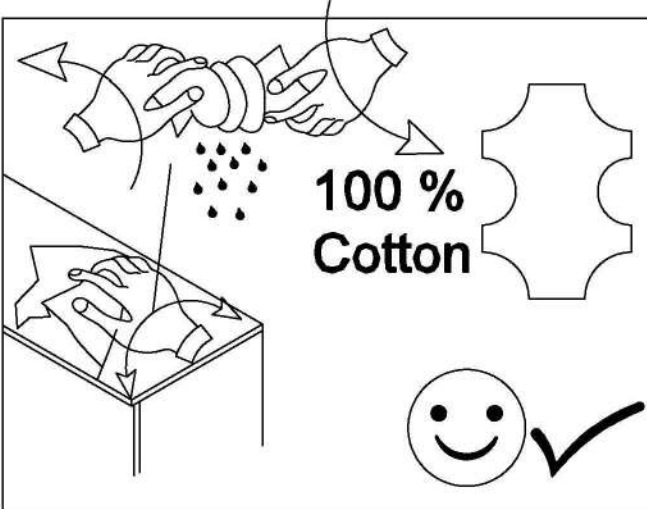
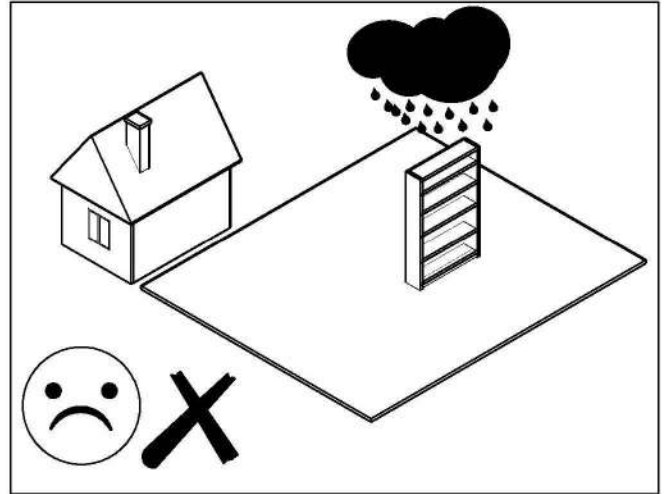
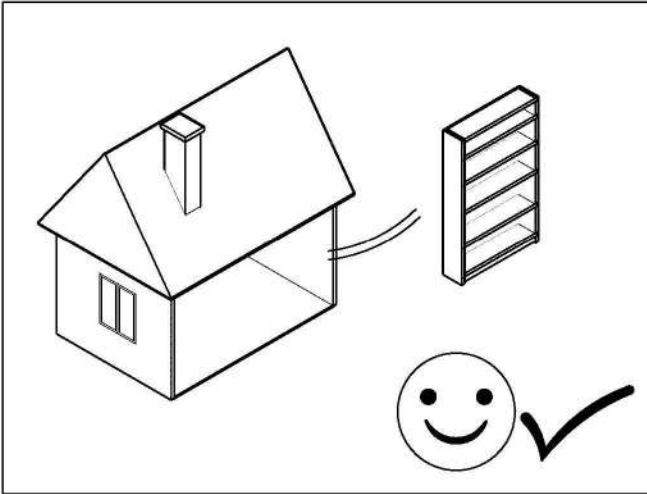
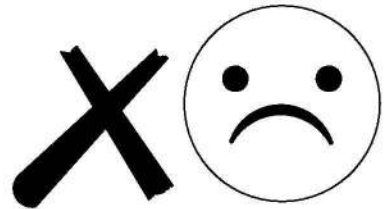


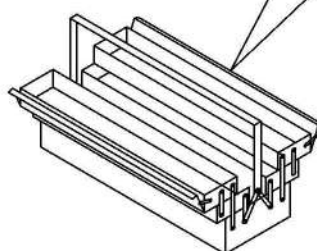
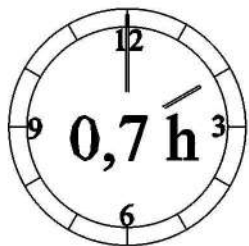
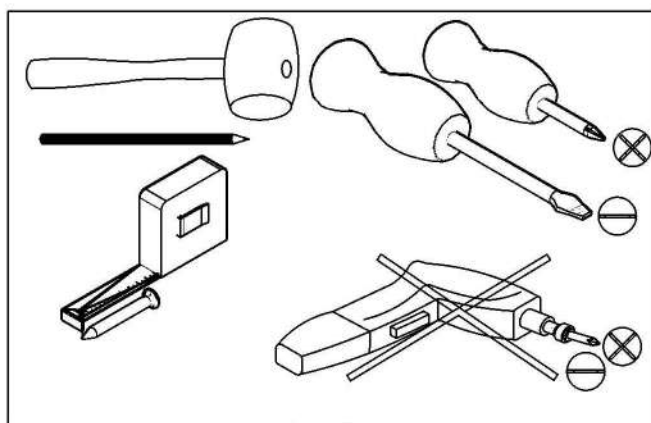
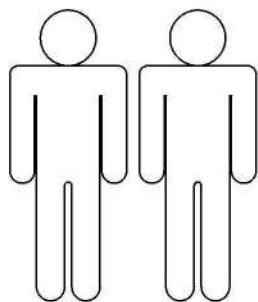
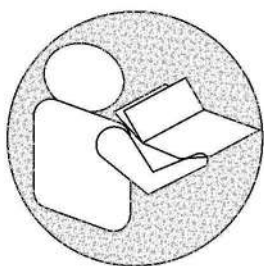
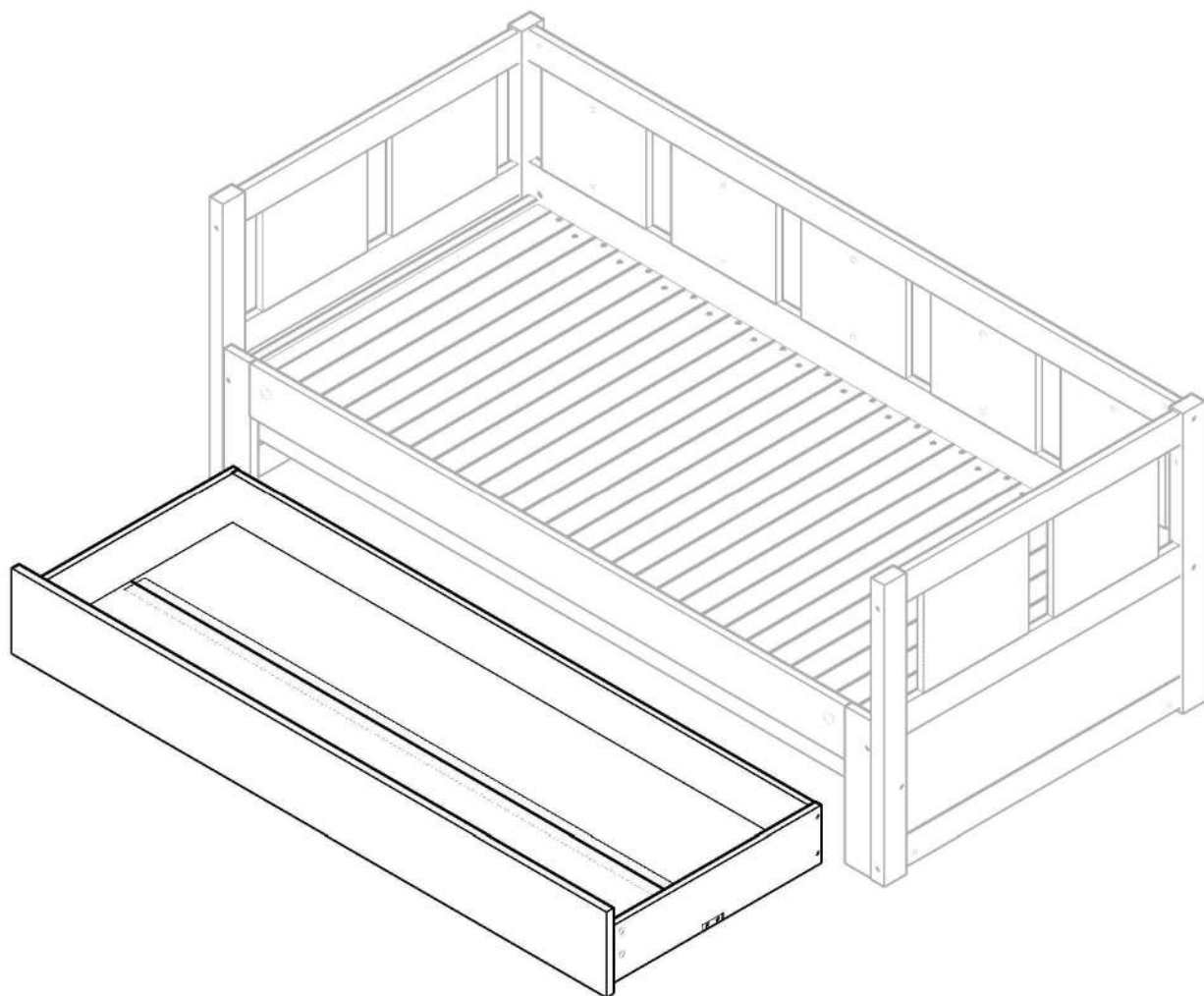
2

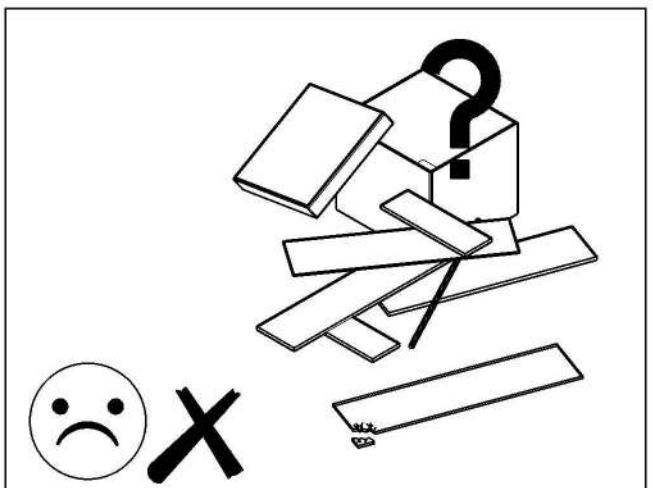
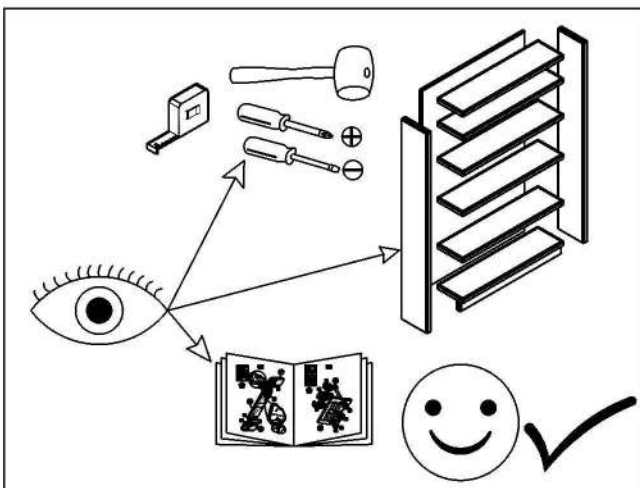
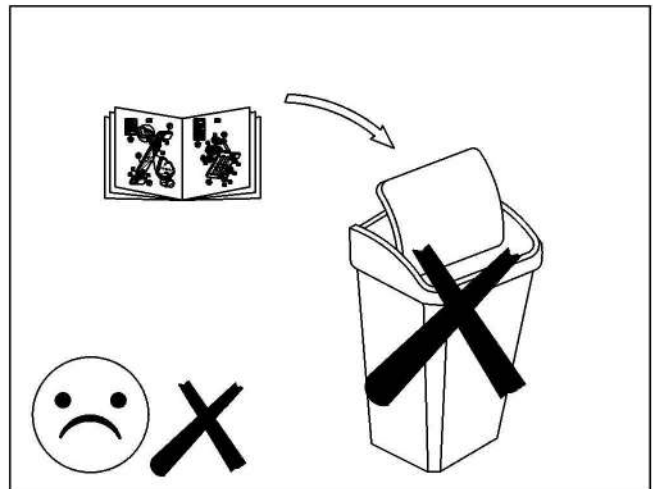
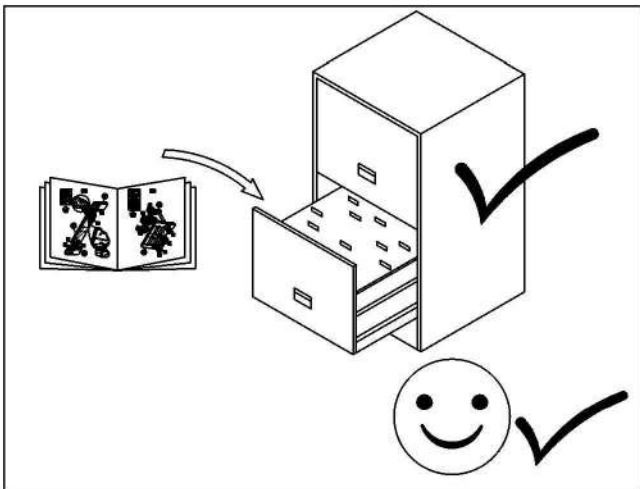
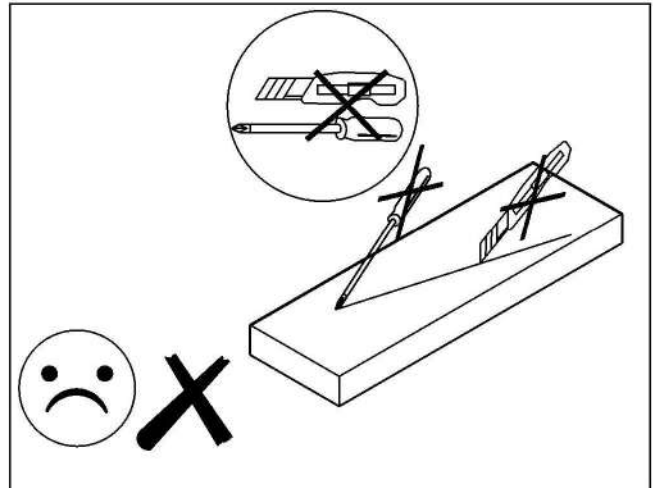
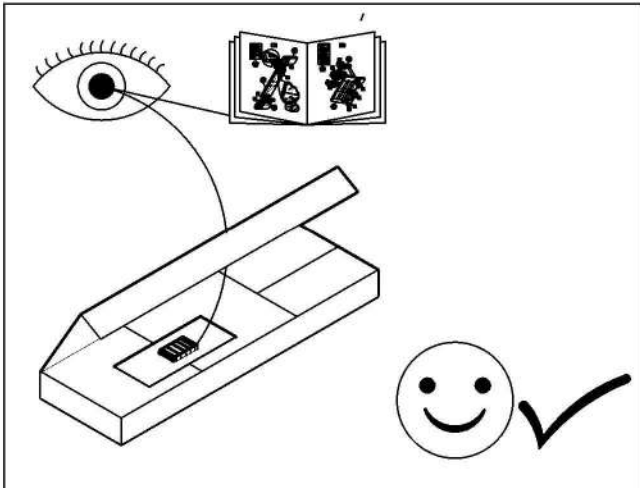
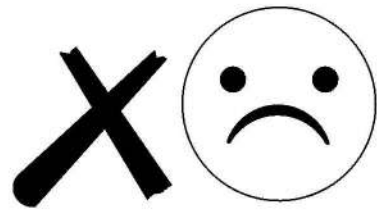
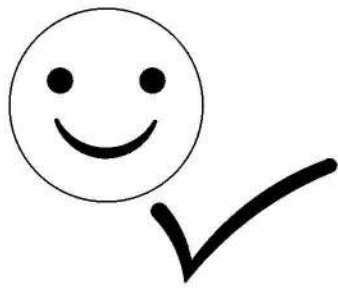


4

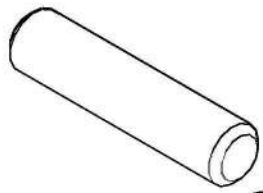








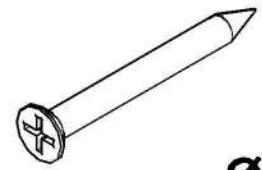
**K1**



x 6

Ø8 x 35

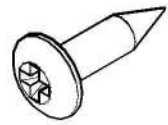
**S6**



x 4

Ø3,5 x 35

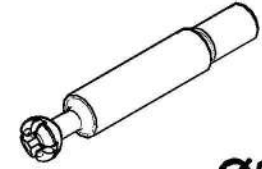
**S3**



x 12

Ø3,5 x 16

**M1**



x 4

Ø6,3 x 30

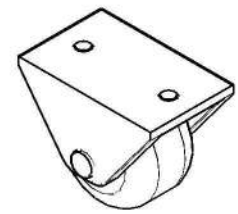
**M2**



x 4

Ø15

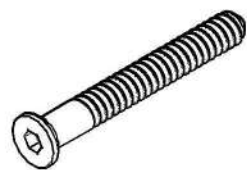
**R1**



x 6

Ø30

**C5**



x 4

Ø7 x 50

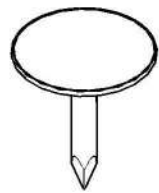
**F2**



x 1

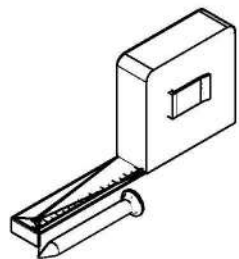
HEX 4 mm

**E5**

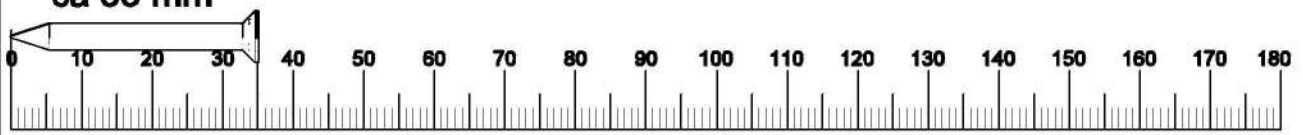


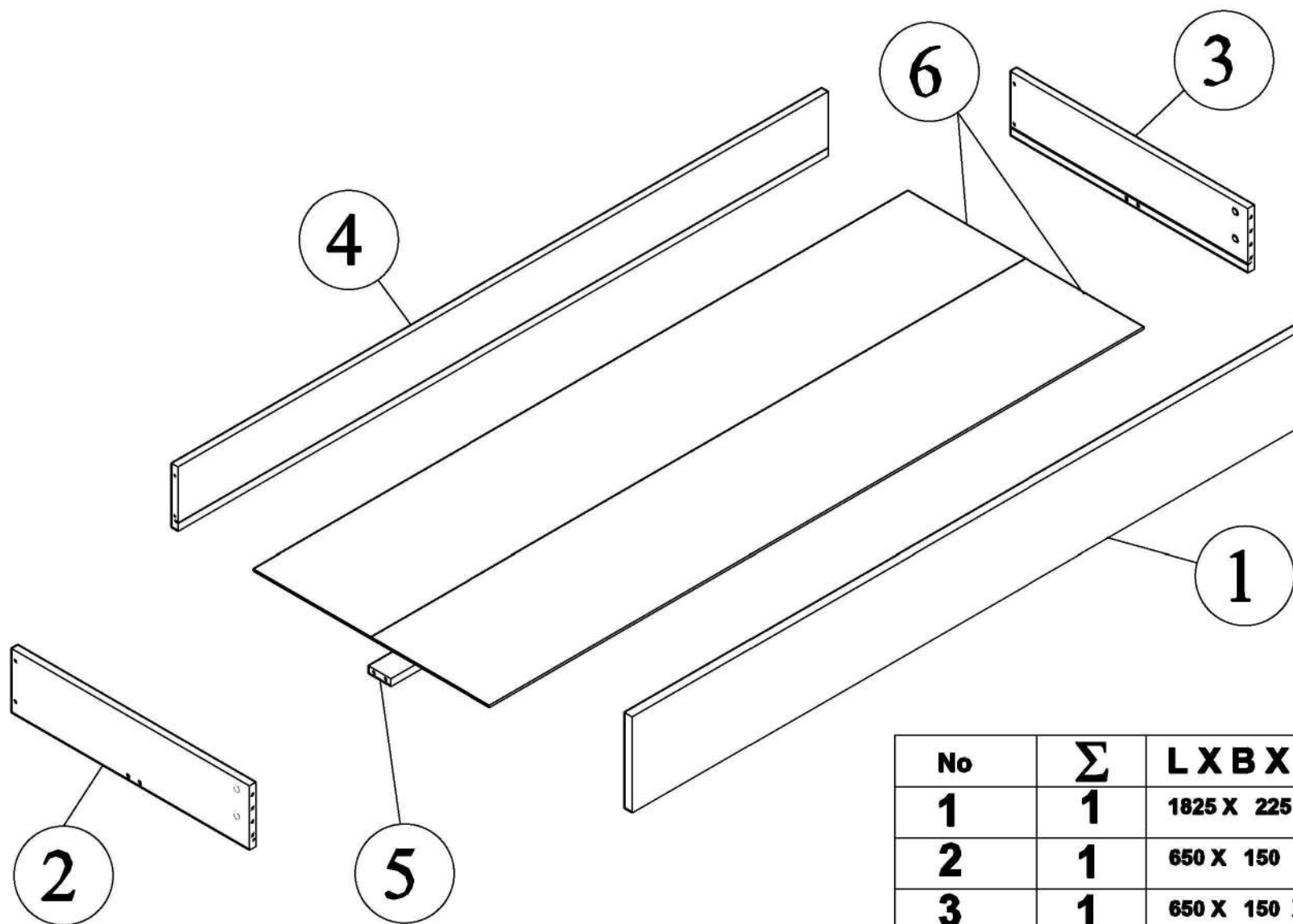
x 7

Ø1,5 x 13

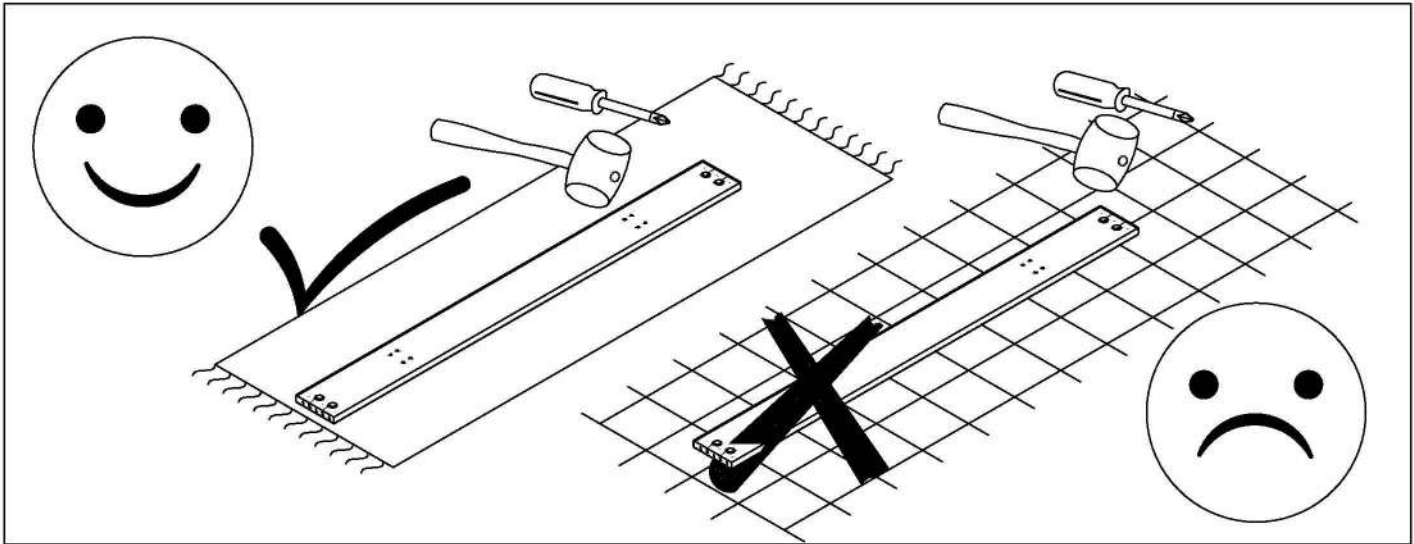


ca 35 mm





No	$\Sigma$	L X B X T (MM)	✓
<b>1</b>	<b>1</b>	<b>1825 X 225 X 20</b>	
<b>2</b>	<b>1</b>	<b>650 X 150 X 16</b>	
<b>3</b>	<b>1</b>	<b>650 X 150 X 16</b>	
<b>4</b>	<b>1</b>	<b>1778 X 150 X 16</b>	
<b>5</b>	<b>1</b>	<b>1778 X 60 X 16</b>	
<b>6</b>	<b>2</b>	<b>1790 X 322 X 3</b>	



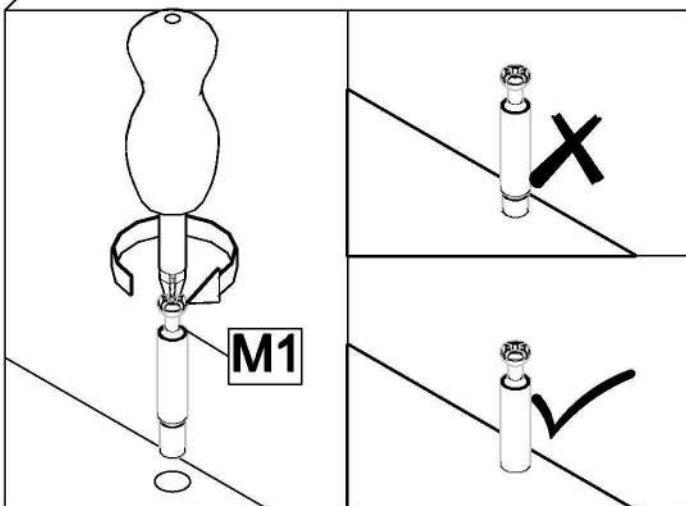
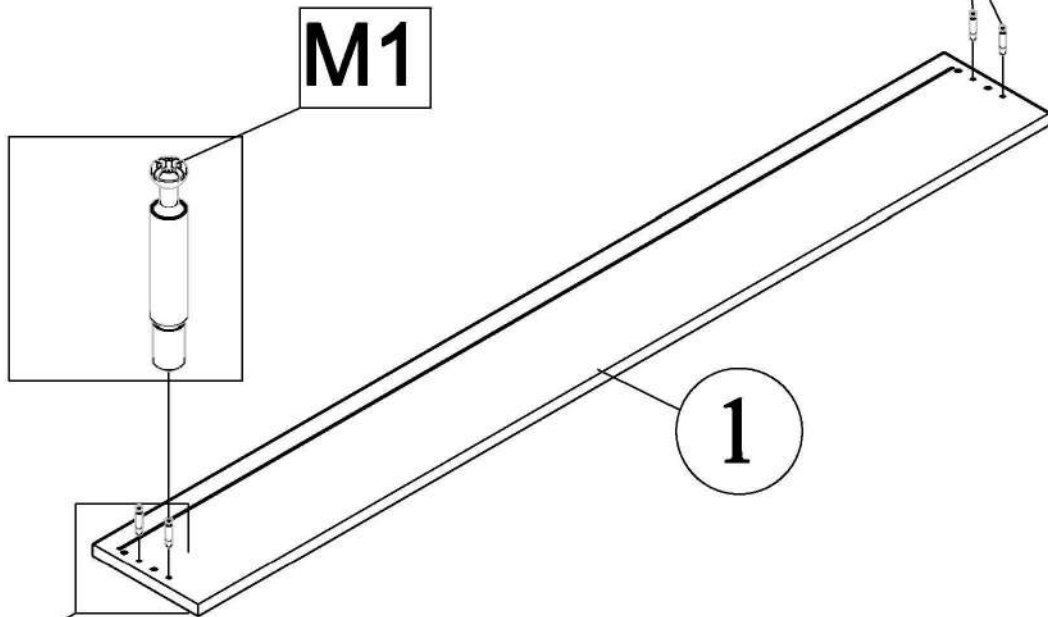
**M1**

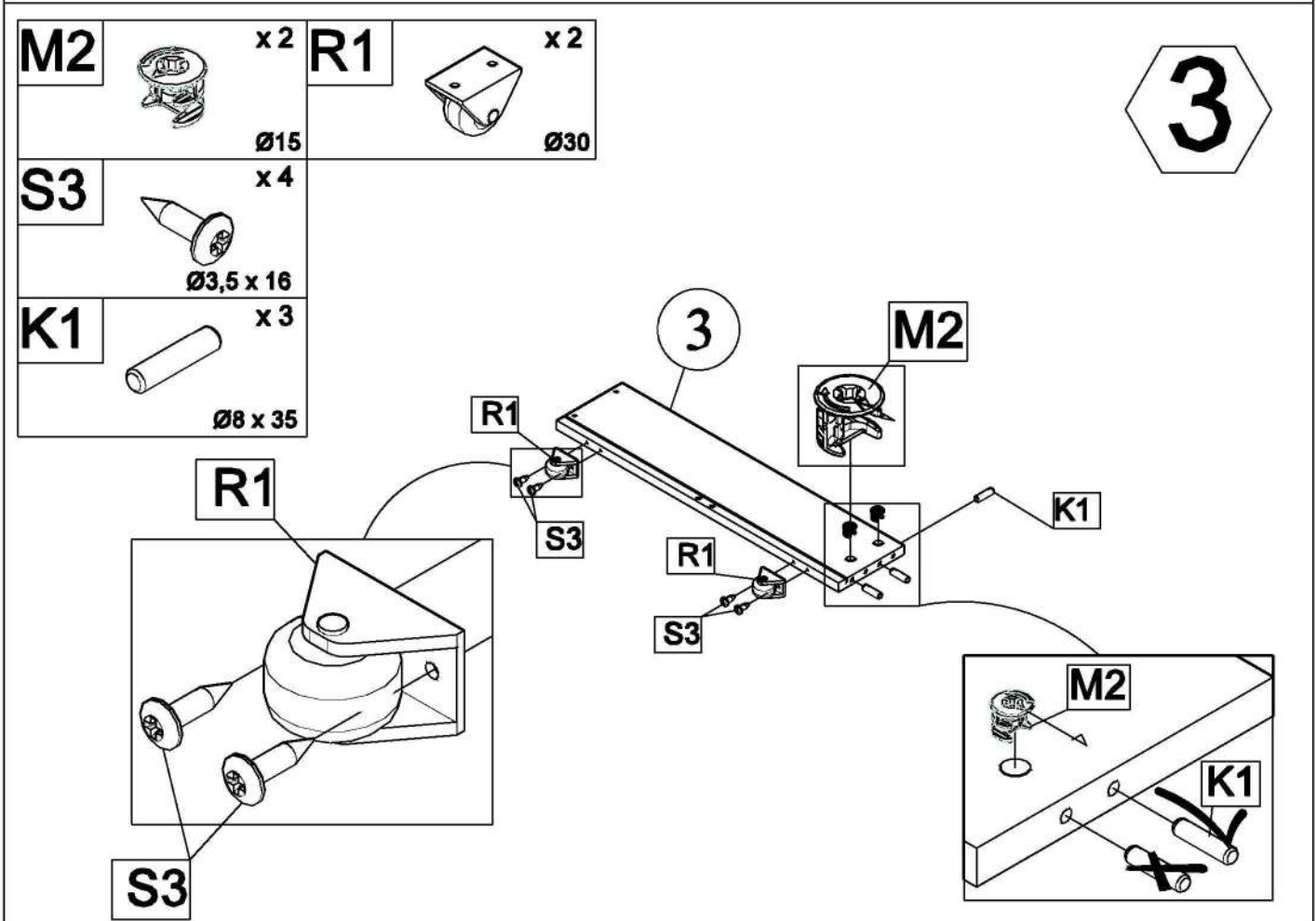
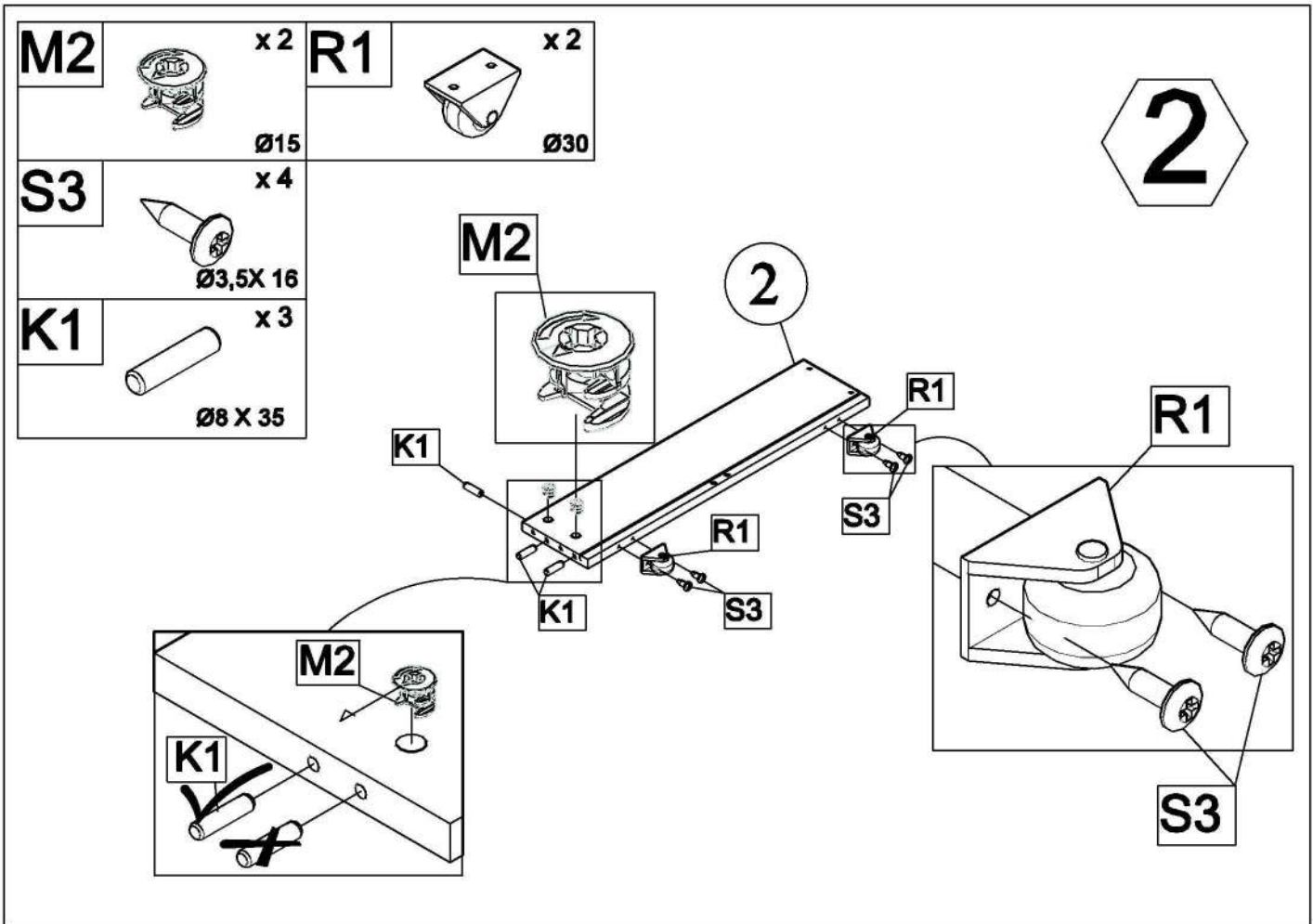
x 4



Ø6,3X 30

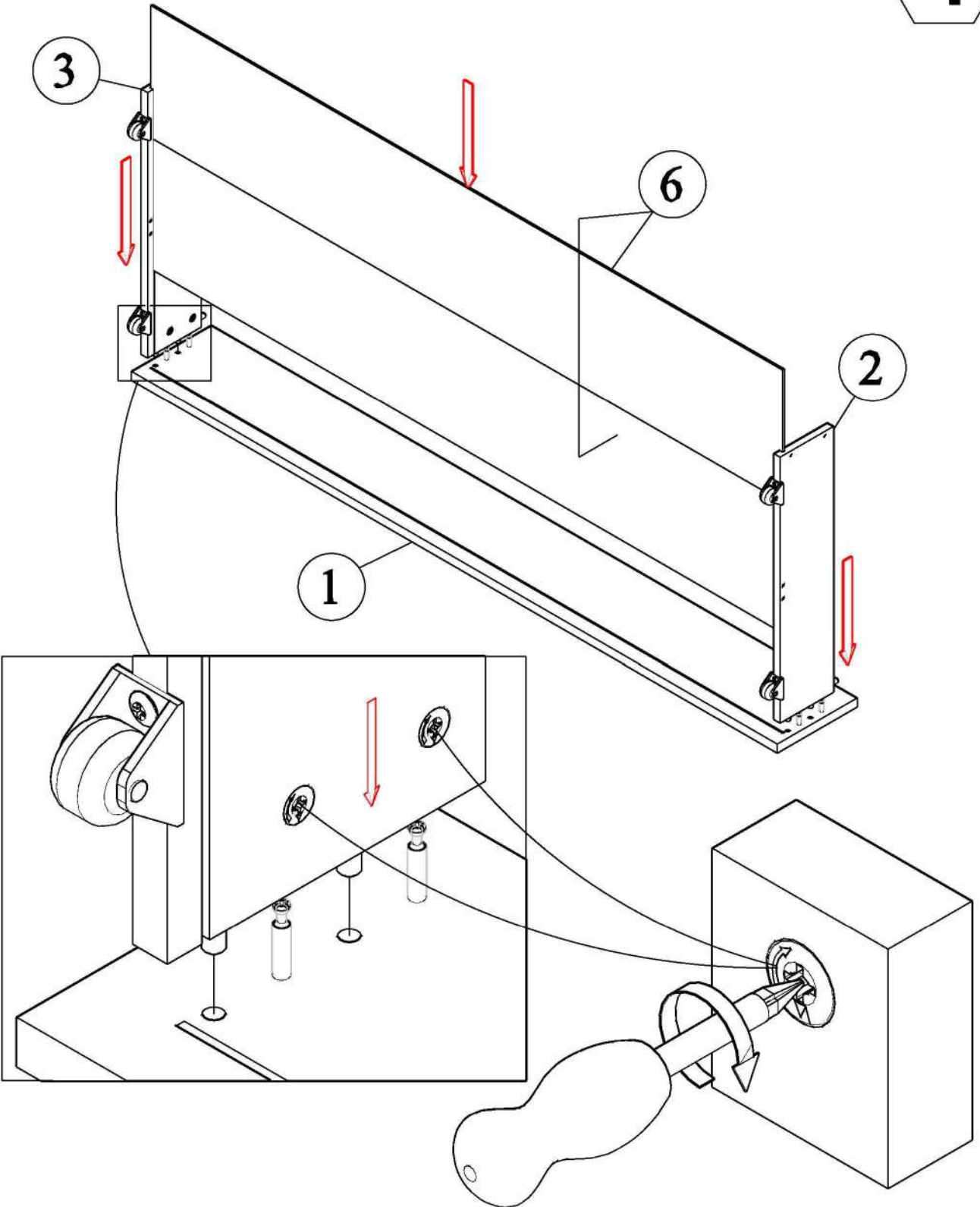
**1**

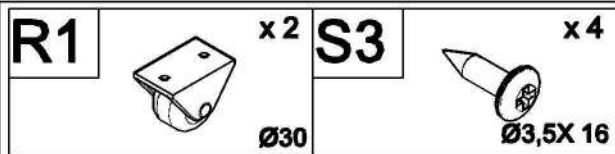




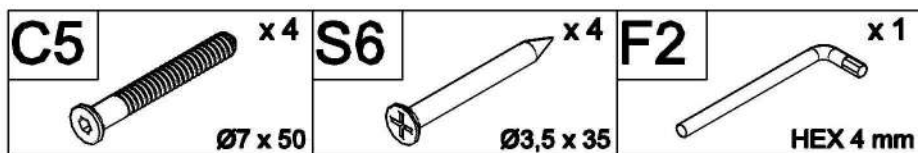
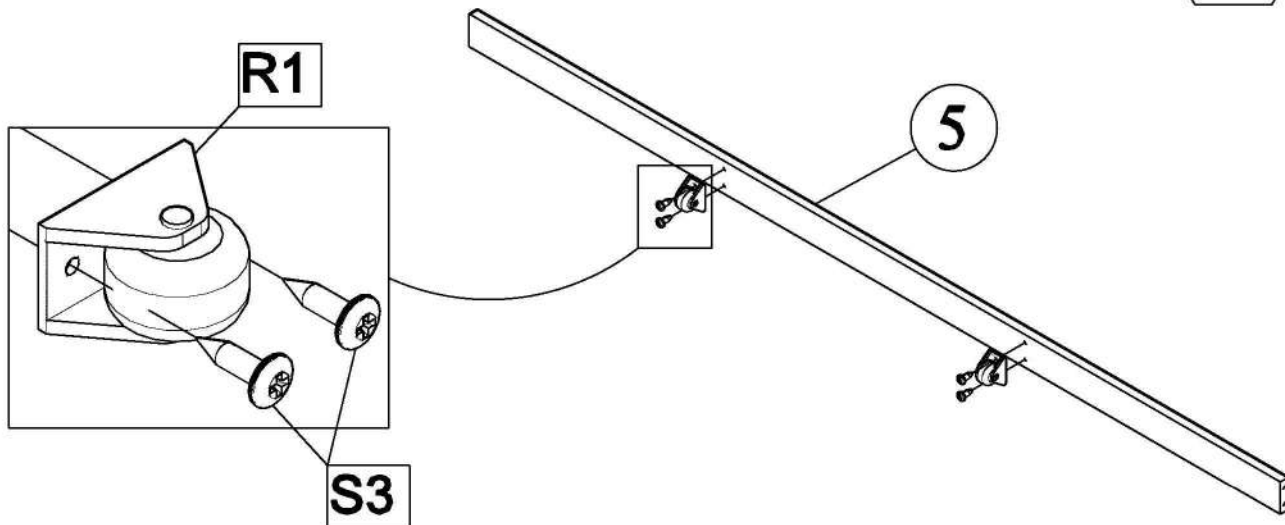


4

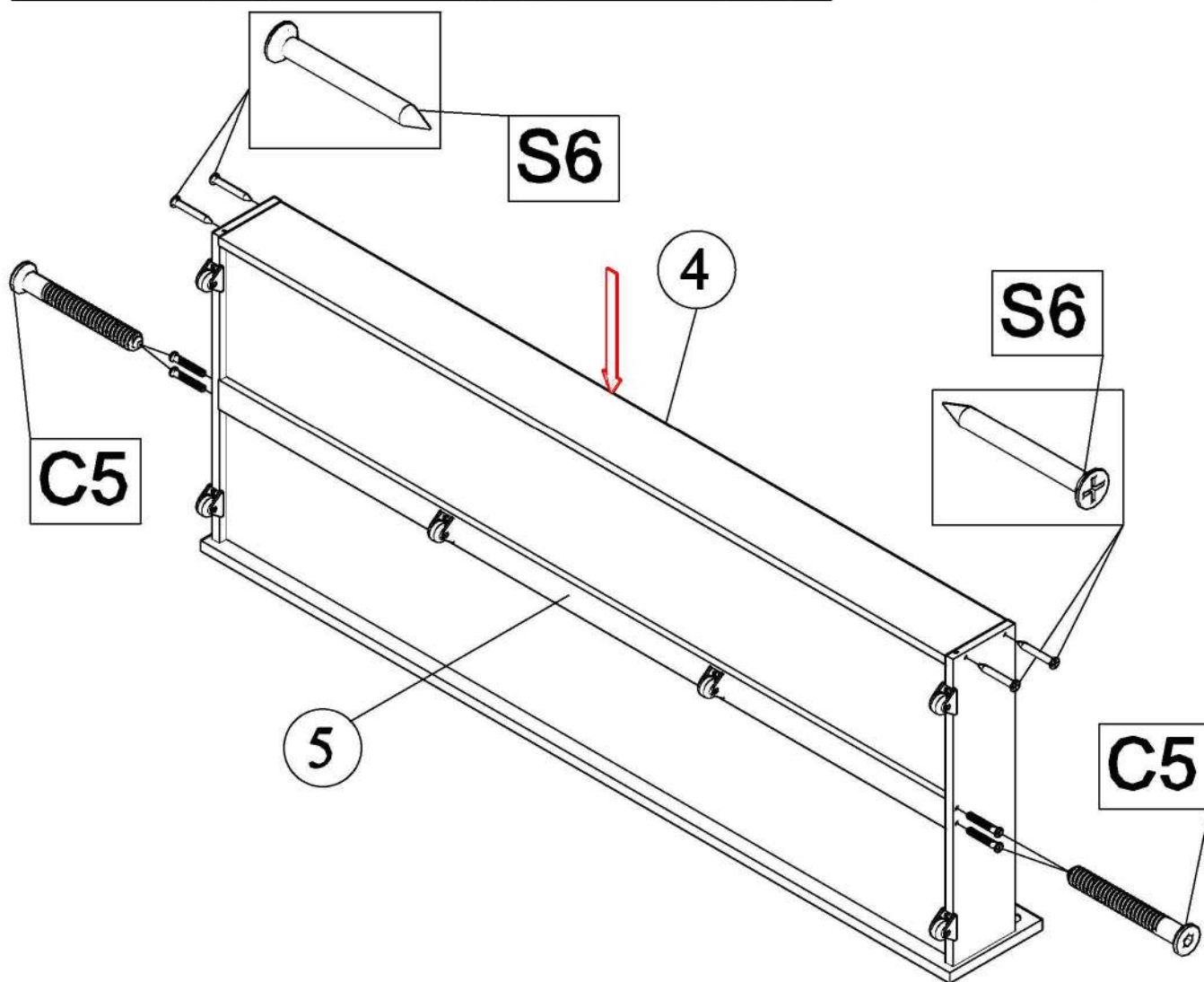




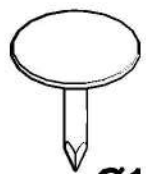
**5**



**6**



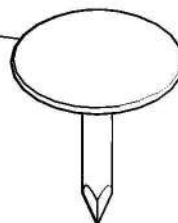
E5



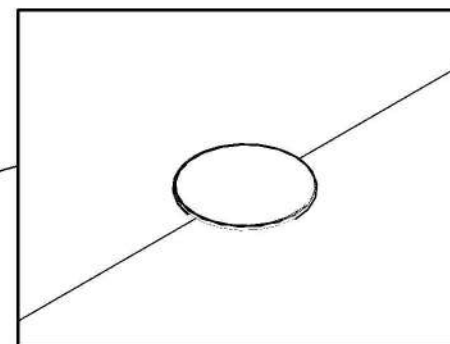
x 7

Ø1,5 x 13

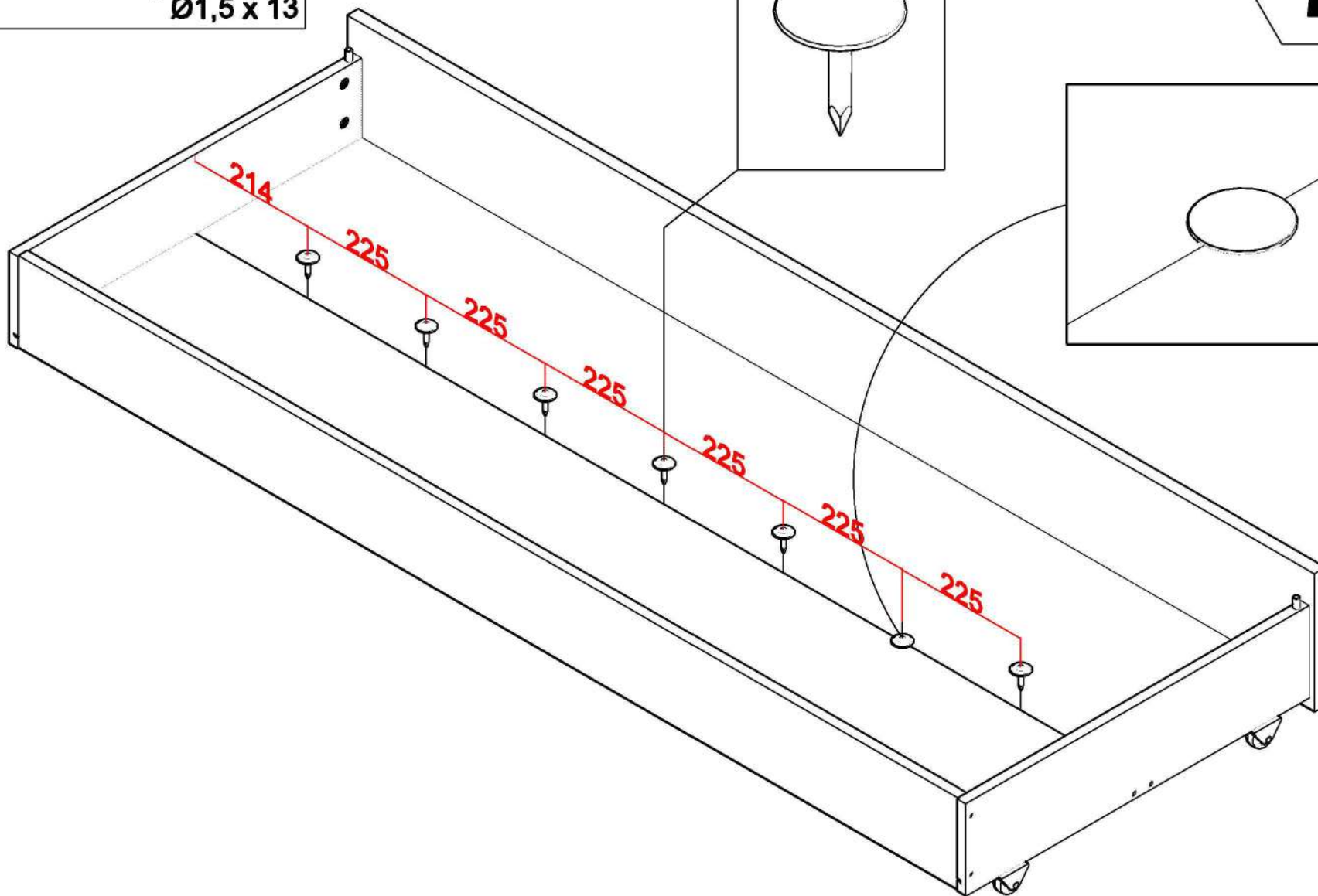
E5



7



9/11



10/11

