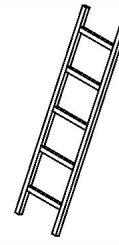
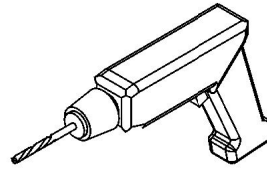
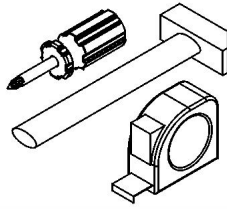
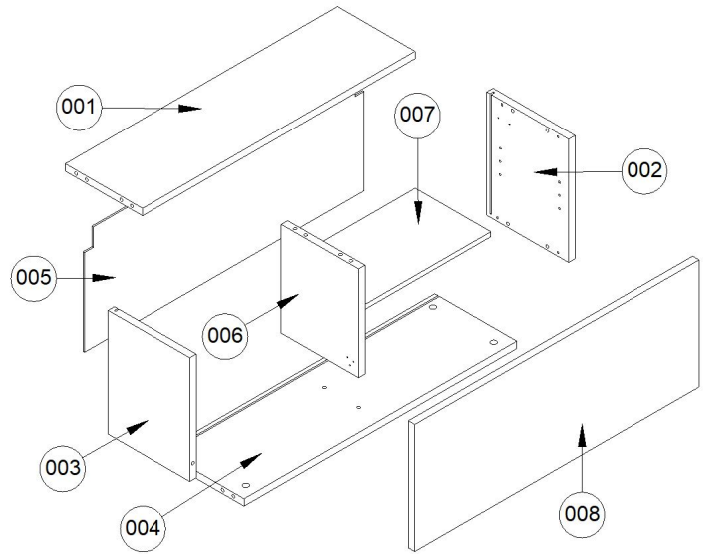
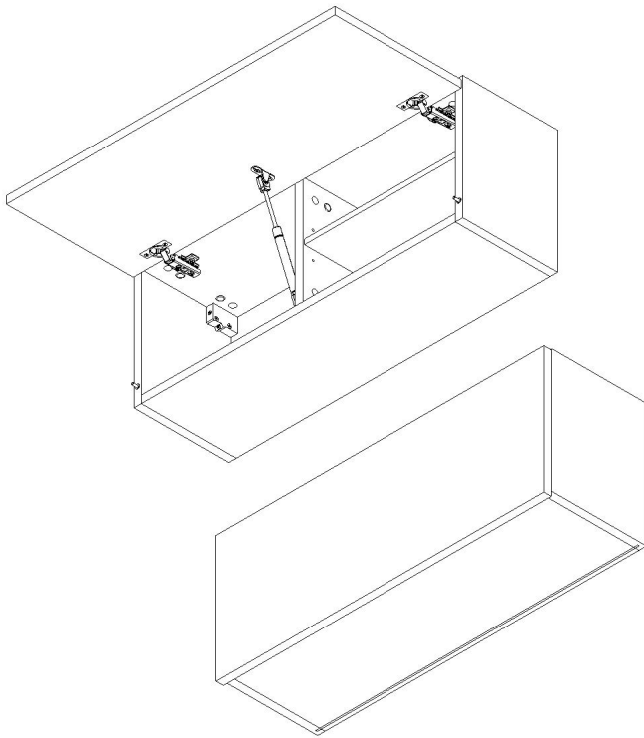


- 45 min.



**SZL60**  
**SZL80**

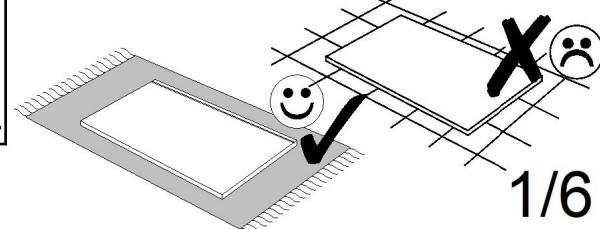
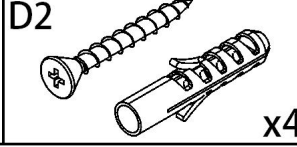
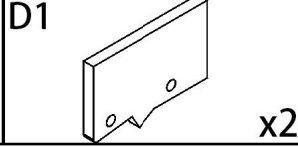
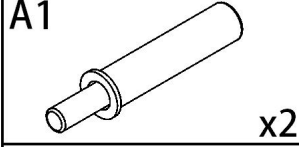
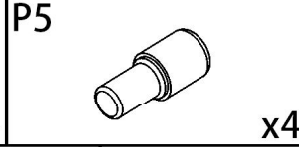
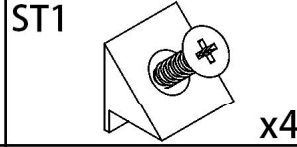
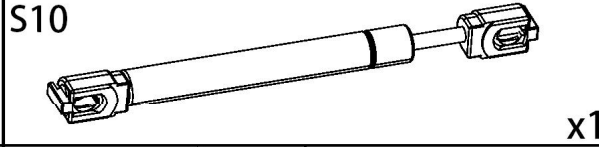
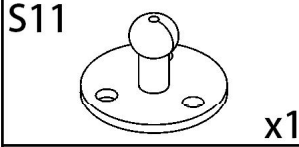
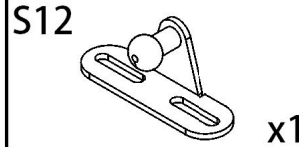
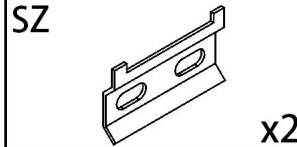
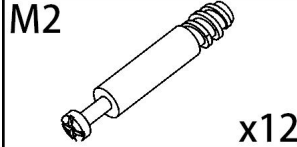
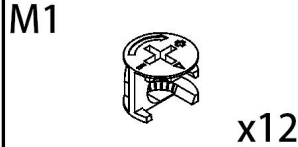
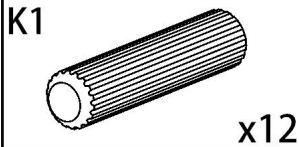
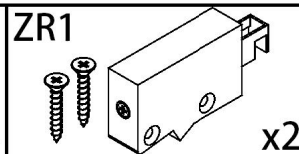
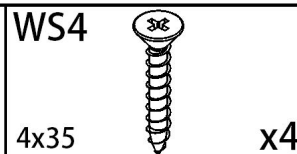
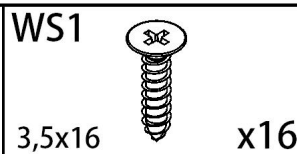
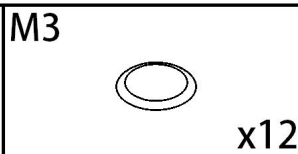
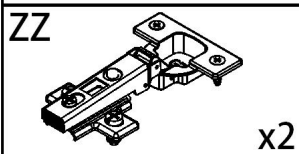


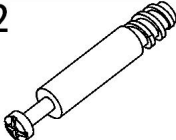
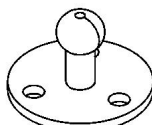
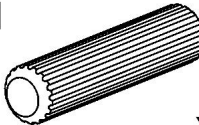

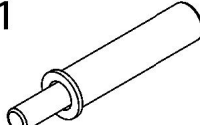
### SZL60

Number	Qty	Size A	Size B
001	1	564	217
002	1	300	230
003	1	300	230
004	1	564	230
005	1	292	584
006	1	264	216
007	1	273	212
008	1	308	598

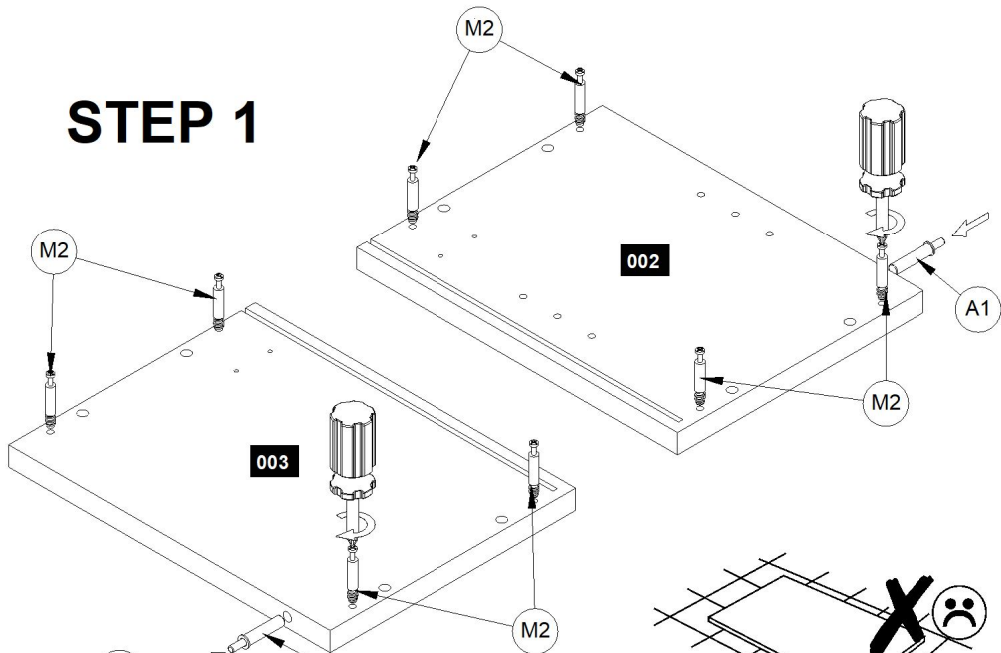
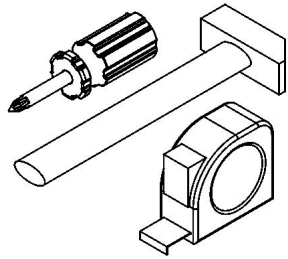
### SZL80

Number	Qty	Size A	Size B
001	1	764	220
002	1	300	235
003	1	300	235
004	1	761	233
005	1	288	781
006	1	261	218
007	1	373	212
008	1	308	798

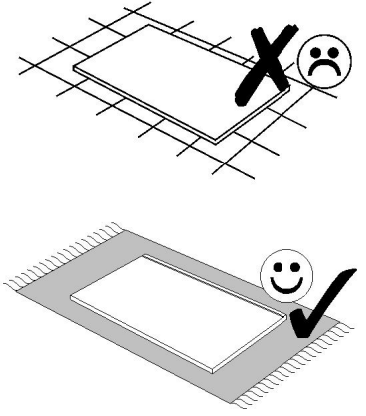
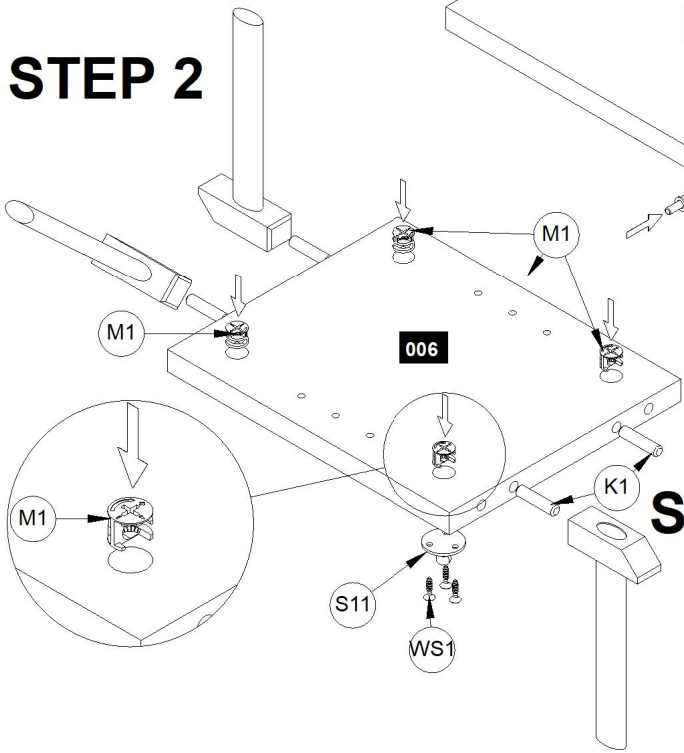


<b>M2</b>  x12	<b>S11</b>  x1	<b>K1</b>  x12	<b>WS1</b>  3,5x16	<b>A1</b>  x2
---	--	--	--	---

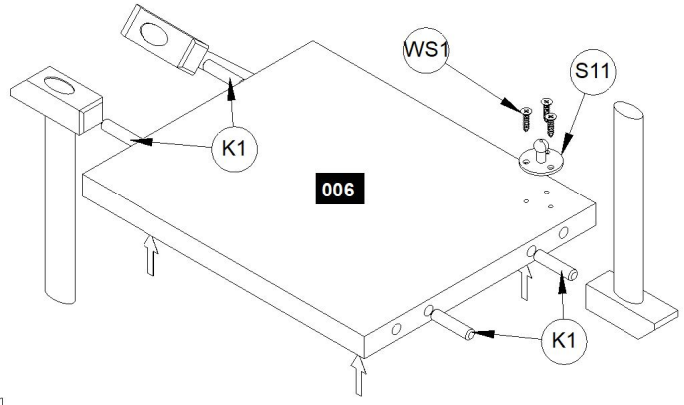
### STEP 1



### STEP 2

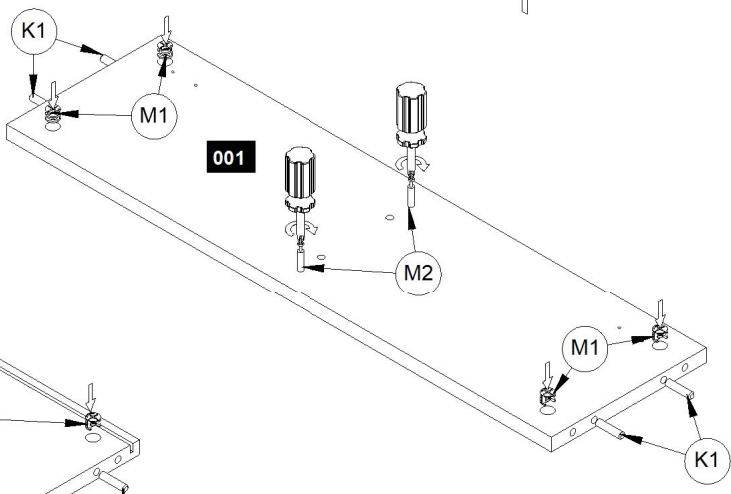
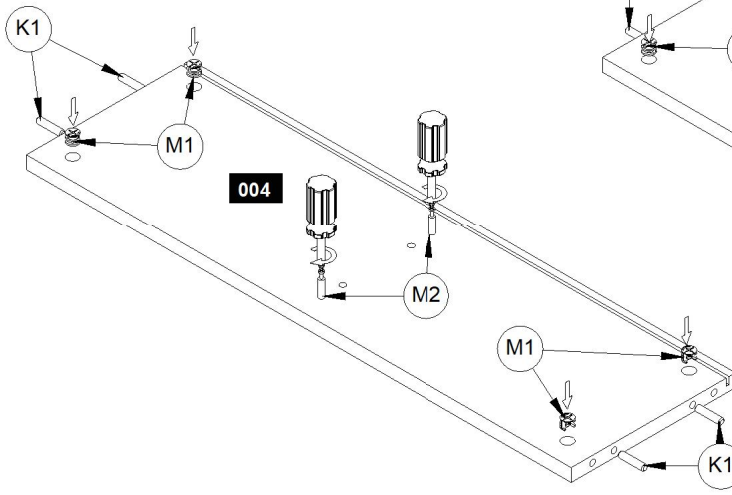


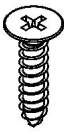
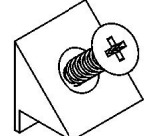
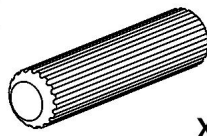

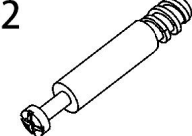
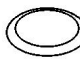
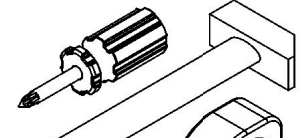
### STEP 180°



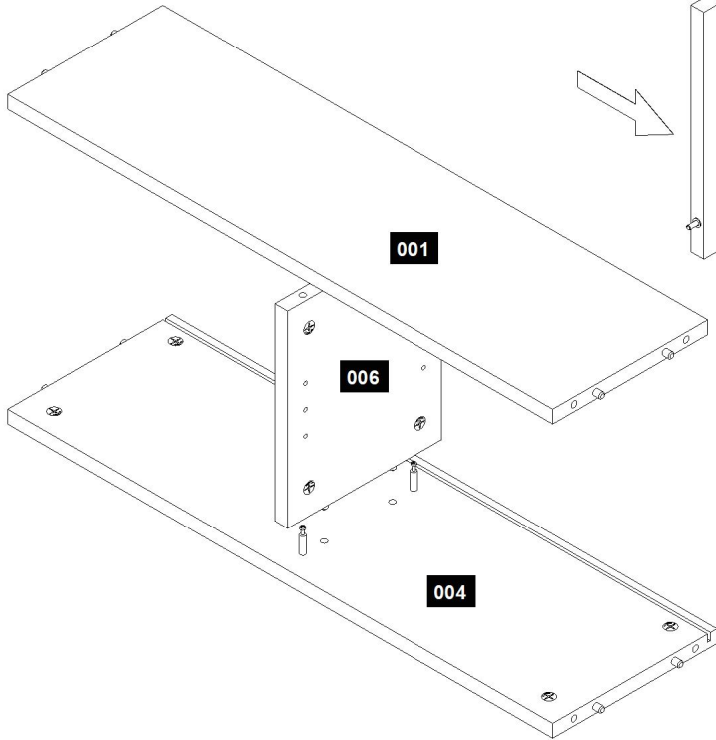
### STEP 4

### STEP 3

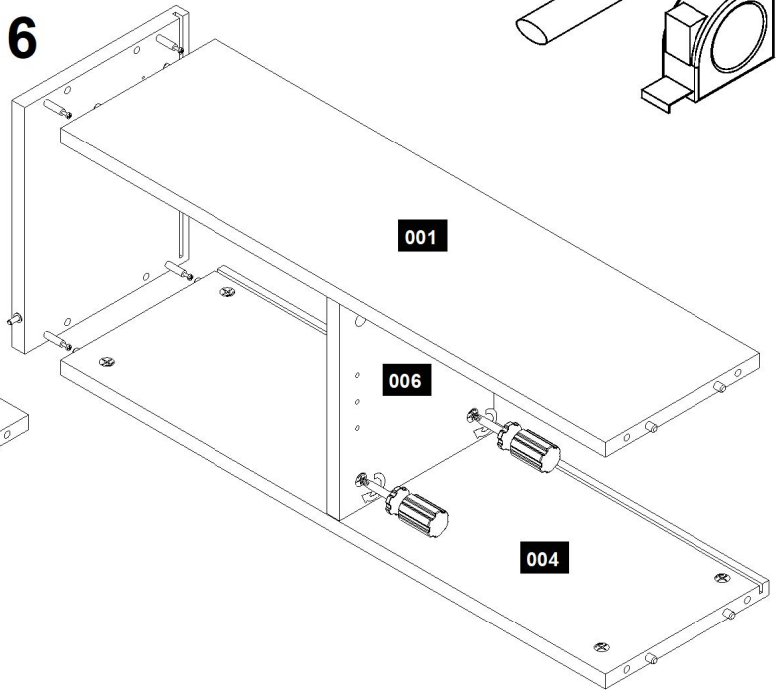


<b>WS1</b>  3,5x16 x16	<b>ST1</b>  x4	<b>K1</b>  x12	<b>M1</b>  x12	<b>M2</b>  x12
<b>M3</b>  x12				

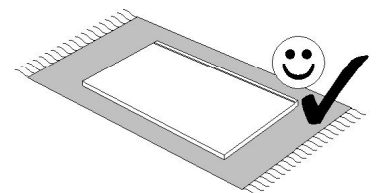
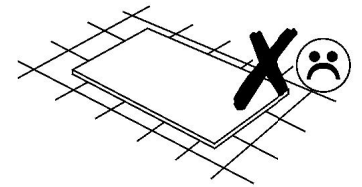
## STEP 5



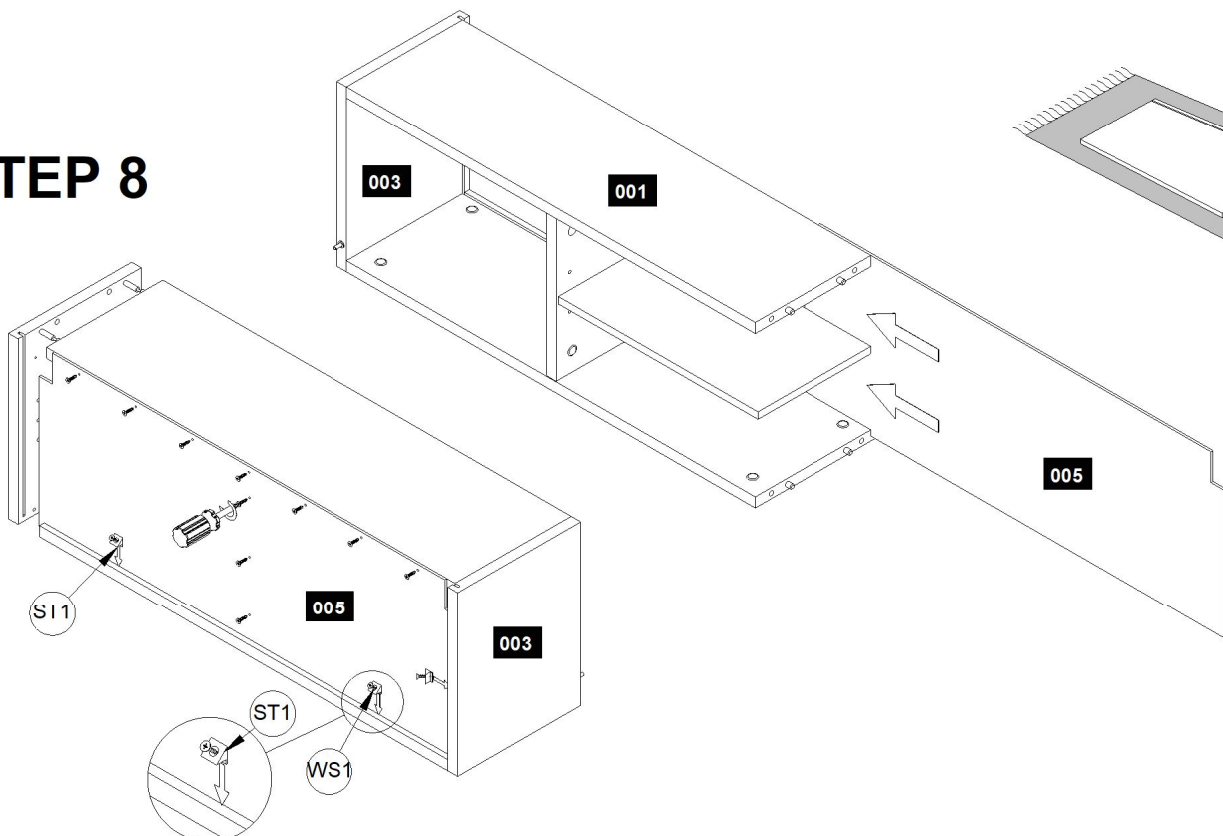
## STEP 6

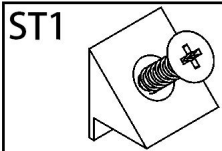


## STEP 7

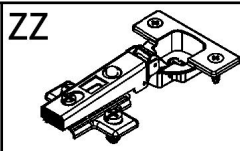


## STEP 8

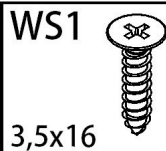




x4

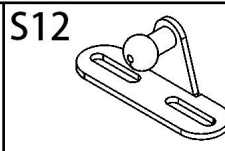


x2

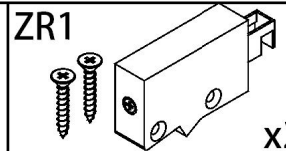


3,5x16

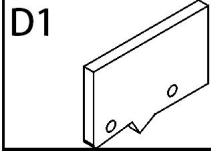
x16



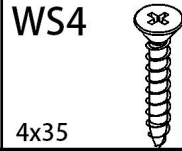
x1



x2



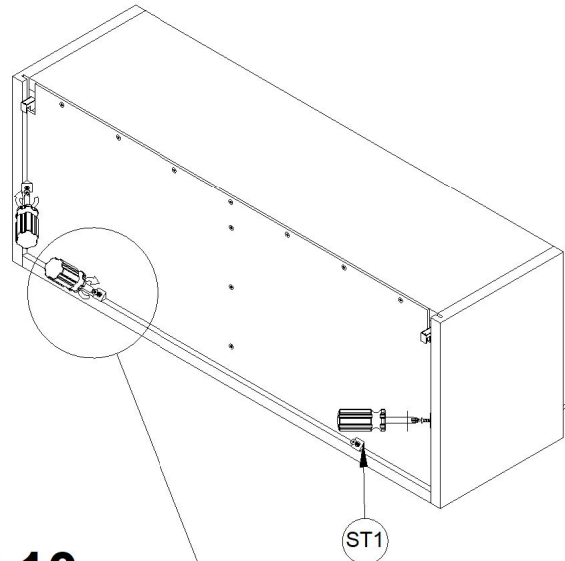
x2



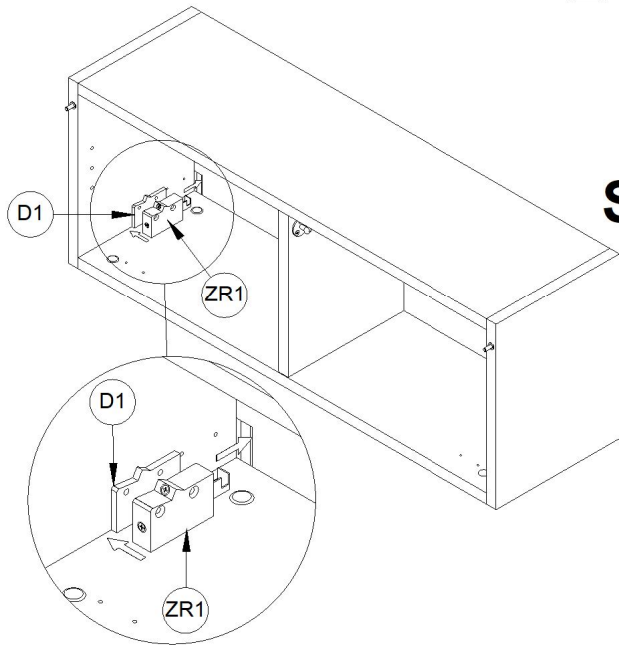
4x35

x4

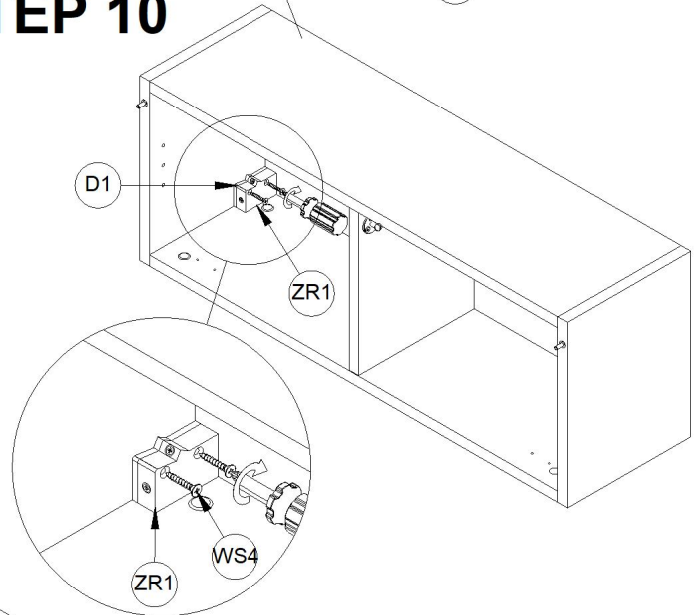
# STEP 9



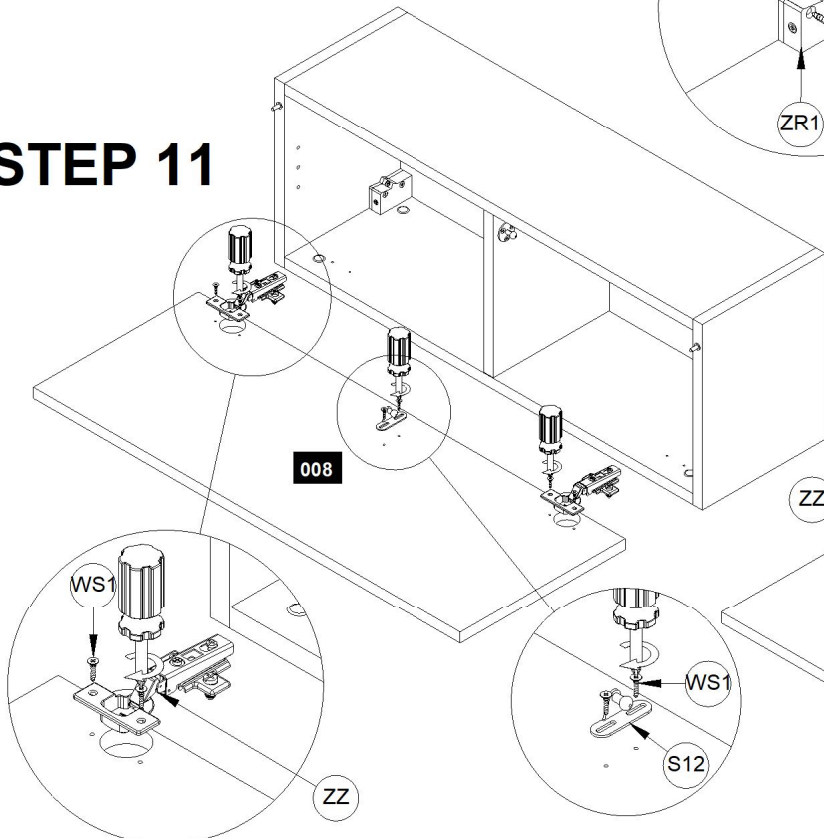
# STEP 180°



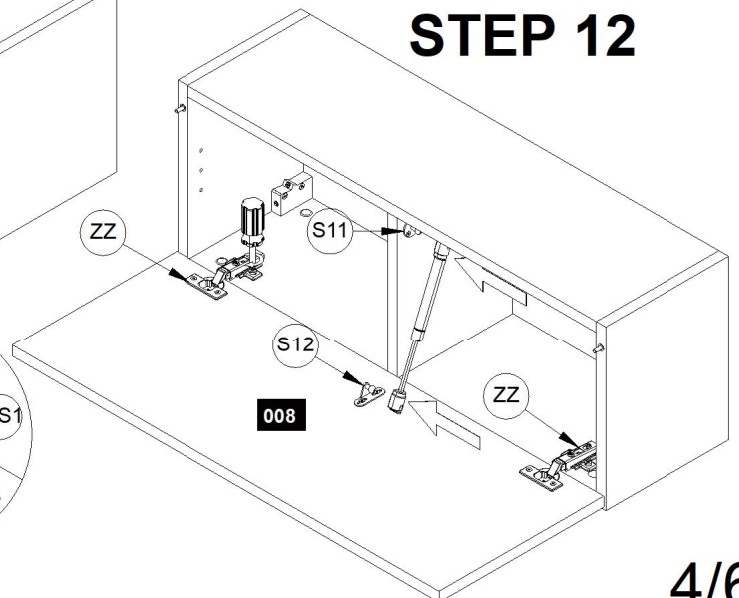
# STEP 10



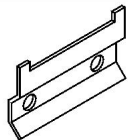
# STEP 11



# STEP 12

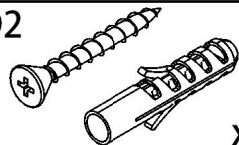


SZ



x2

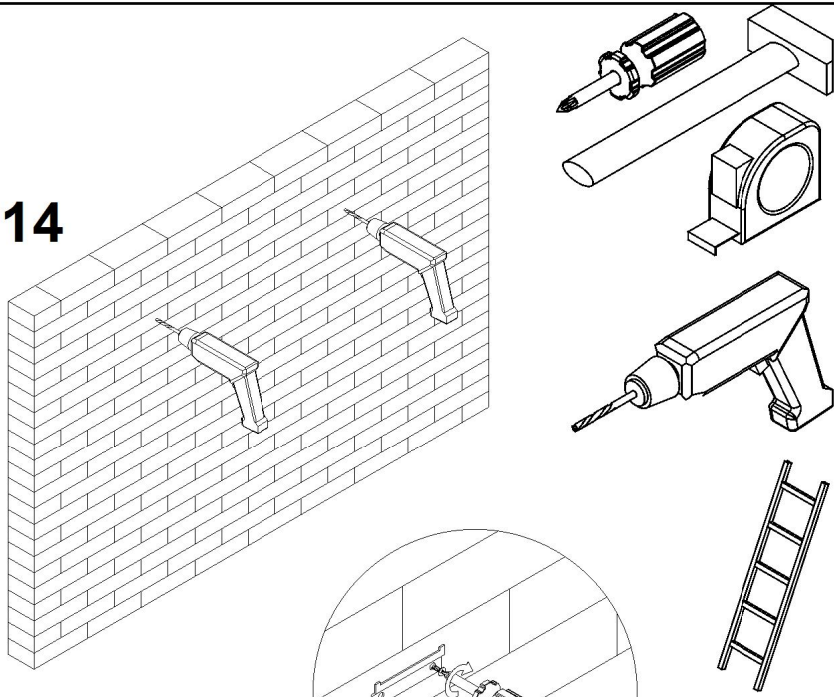
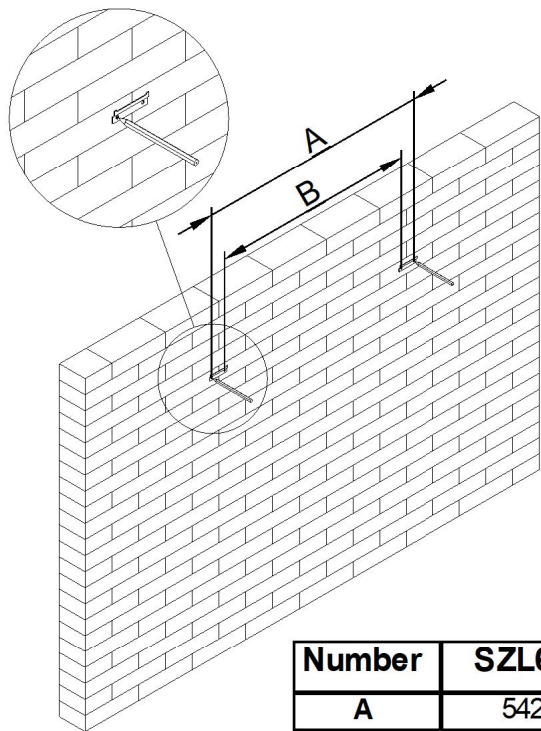
D2



x4

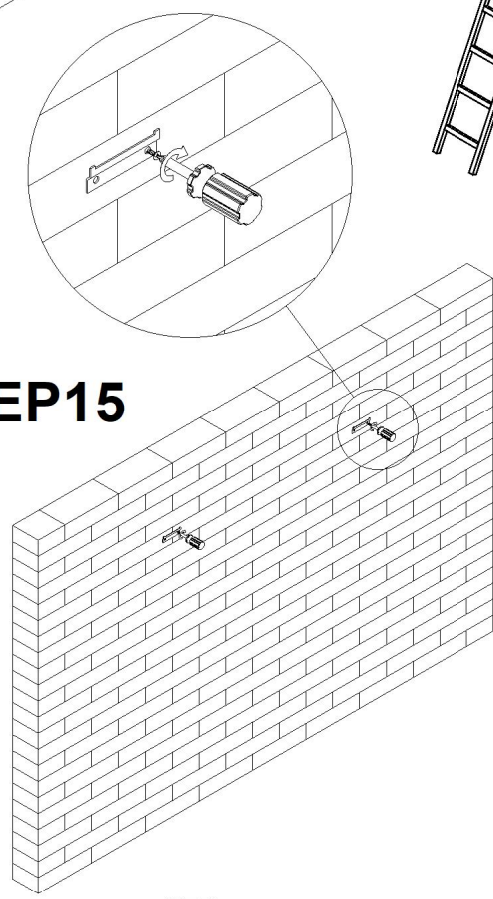
### STEP 13

### STEP 14



Number	SZL60	SZL80
A	542	742
B	482	682

### STEP 15



### STEP 16

