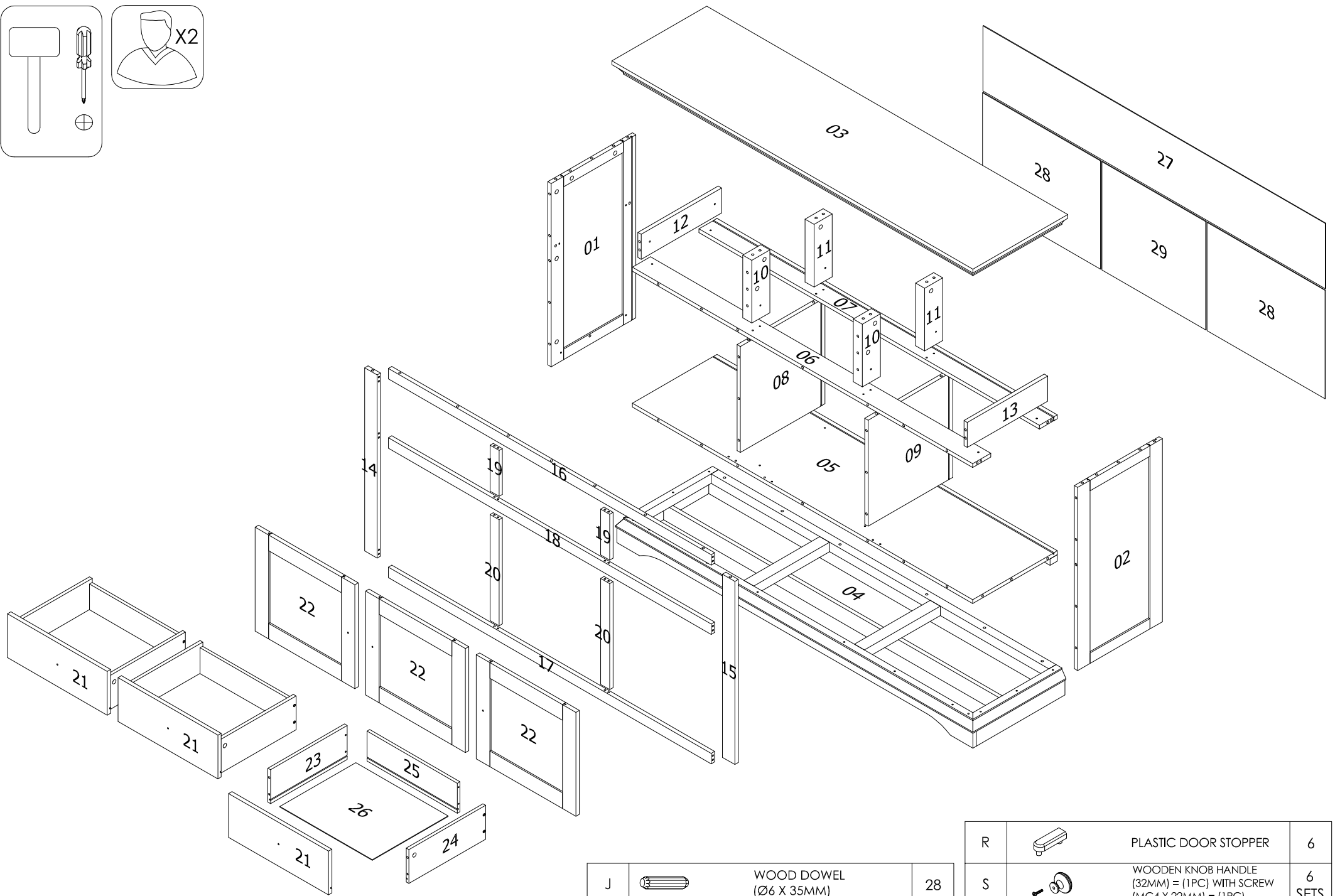
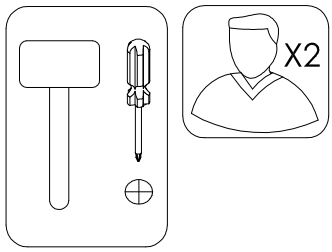


ASSEMBLING GUIDE MODEL 5190-9-02

**WARNING! NOT SUITABLE FOR CHILDREN
UNDER 3 YEARS. CONTAINS SMALL PARTS.**

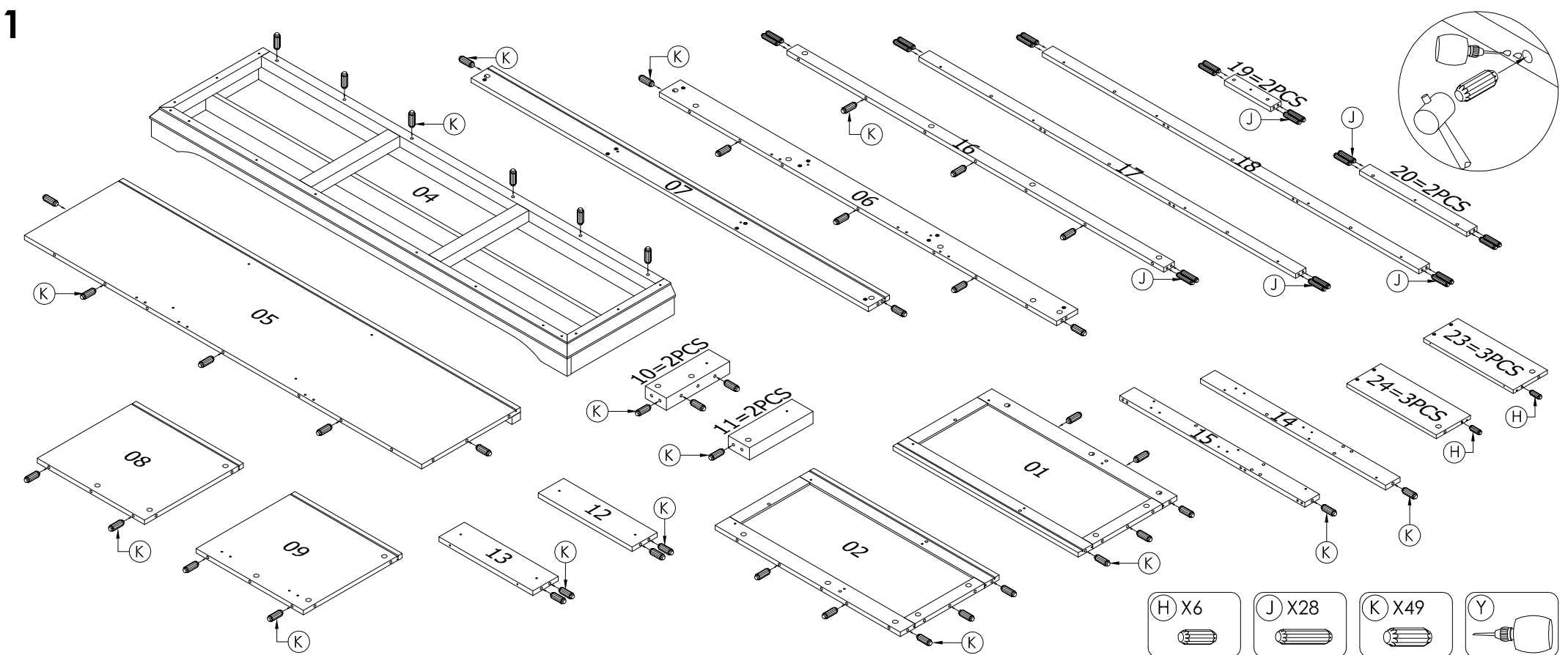
CAUTION
MATERIAL USED - LAMINATED MEDIUM DENSITY FIBERBOARD AND PARTICLEBOARD FRAME * TO CLEAN USING SOFT, DRY, CLOTH * DO NOT USE DETERGENT OR CHEMICALS * AVOID CONTACT WITH WATER AND DIRECT SUNLIGHT * TO BE ASSEMBLED ON A SOFT, DRY, CLEAN AND SMOOTH SURFACE * DO NOT USE POWER DRILLS TO ASSEMBLE AS THIS MAY CAUSE DAMAGE TO THE PRODUCT IF OVER-TIGHTENED



A		CSK SCREW M3.5 X 12MM	12
B		CSK SCREW M3.5 X 15MM	51
C		CSK SCREW M4.5 X 32MM	12
D		CSK SCREW M4.5 X 45MM	14
E		SCREW M4.7 X 38MM	16
F		EURO SCREW M6 X 9MM	12
G		EURO SCREW M6 X 13MM	12
H		WOOD DOWEL (Ø6 X 20MM)	6

J		WOOD DOWEL (Ø6 X 35MM)	28
K		WOOD DOWEL (Ø8 X 25MM)	49
L		BOLT-9607 PARALEL NECK DOWEL 24 X 8.5	48
M		CAM-9499 CAM 3000 15 X 12	42
N		CAM-9642 CAM 3000 12/13MM	6
P1		METAL HINGES (7/8") W/ SPRING	2
P2		HINGES PLATE	2
Q1		ANGLE METAL HINGES (90°) W / SPRING	4
Q2		HINGES PLATE	4

R		PLASTIC DOOR STOPPER	6
S		WOODEN KNOB HANDLE (32MM) = (1PC) WITH SCREW (MC4 X 22MM) = (1PC)	6 SETS
T1		DRAWER SLIDE CR (350MM)	3
T2		DRAWER SLIDE CL (350MM)	3
U1		DRAWER SLIDE DR (350MM)	3
U2		DRAWER SLIDE DL (350MM)	3
V		PLASTIC LEG STUD	14
W		BACKPLY STOPPER	38
X		WEBBING TAPE (1.2 X 12 X 145 MM)	1
Y		GLUE	7

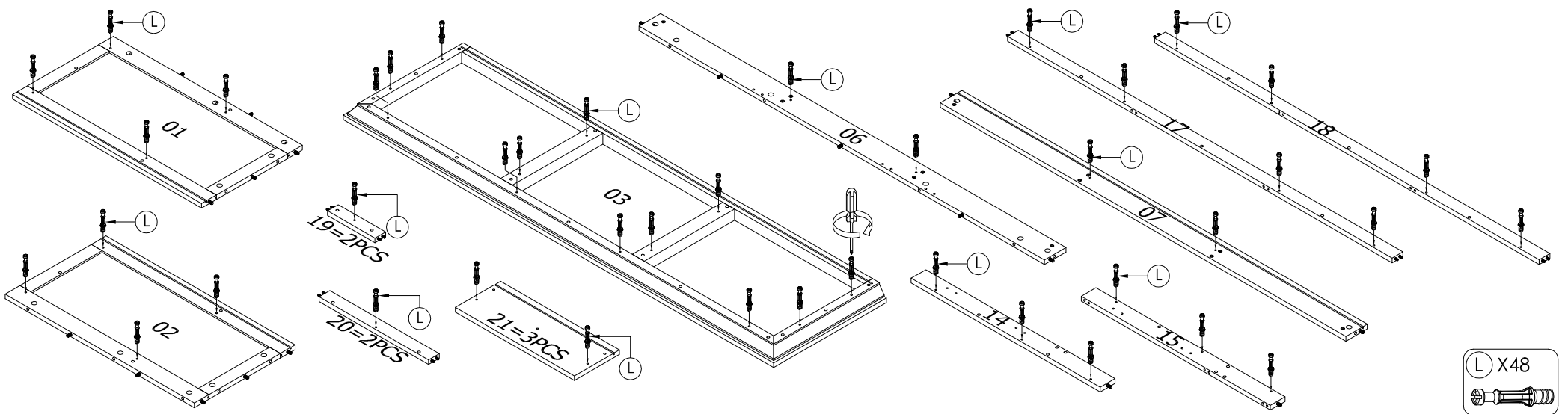


ASSEMBLING GUIDE MODEL 5190-9-02

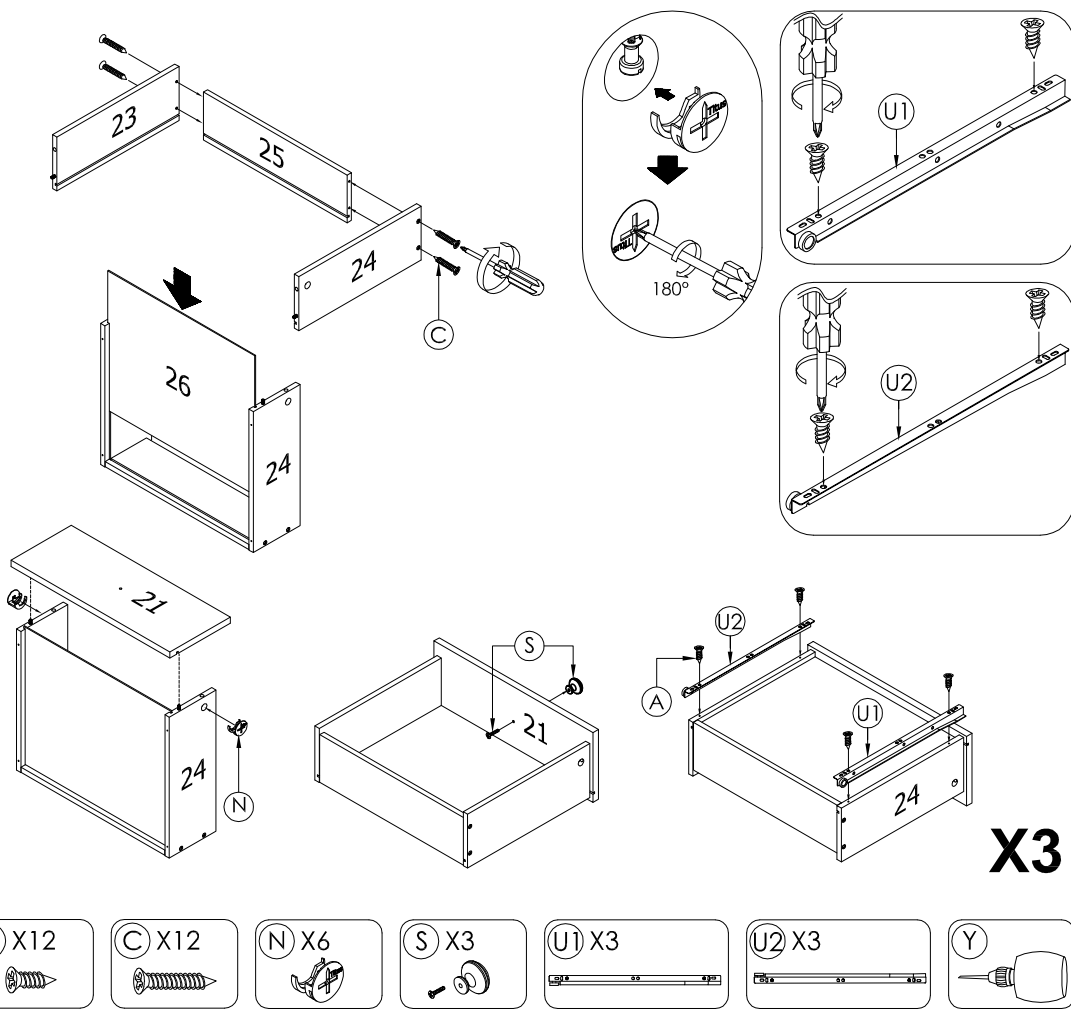
**WARNING! NOT SUITABLE FOR CHILDREN
UNDER 3 YEARS. CONTAINS SMALL PARTS.**

CAUTION
MATERIAL USED - LAMINATED MEDIUM DENSITY FIBERBOARD AND PARTICLEBOARD FRAME * TO CLEAN USING SOFT, DRY, CLOTH * DO NOT USE DETERGENT OR CHEMICALS * AVOID CONTACT WITH WATER AND DIRECT SUNLIGHT * TO BE ASSEMBLED ON A SOFT, DRY, CLEAN AND SMOOTH SURFACE * DO NOT USE POWER DRILLS TO ASSEMBLE AS THIS MAY CAUSE DAMAGE TO THE PRODUCT IF OVER-TIGHTENED

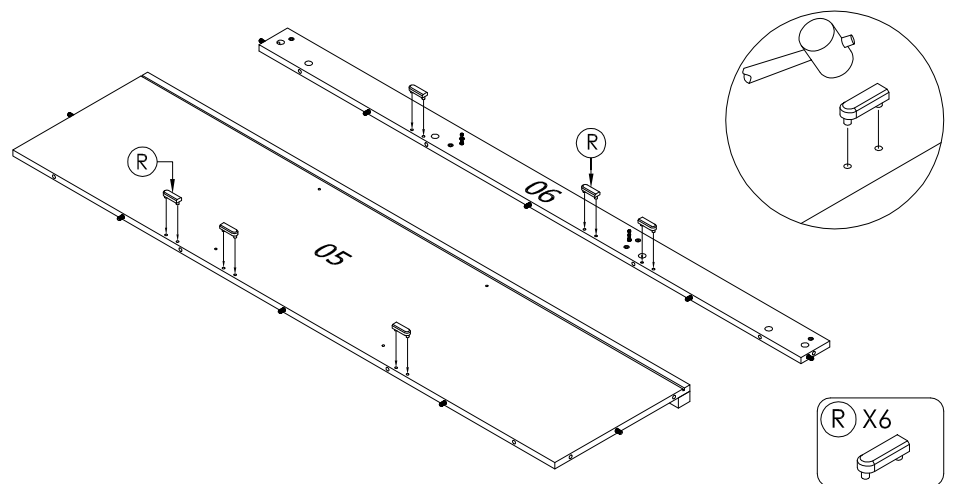
2



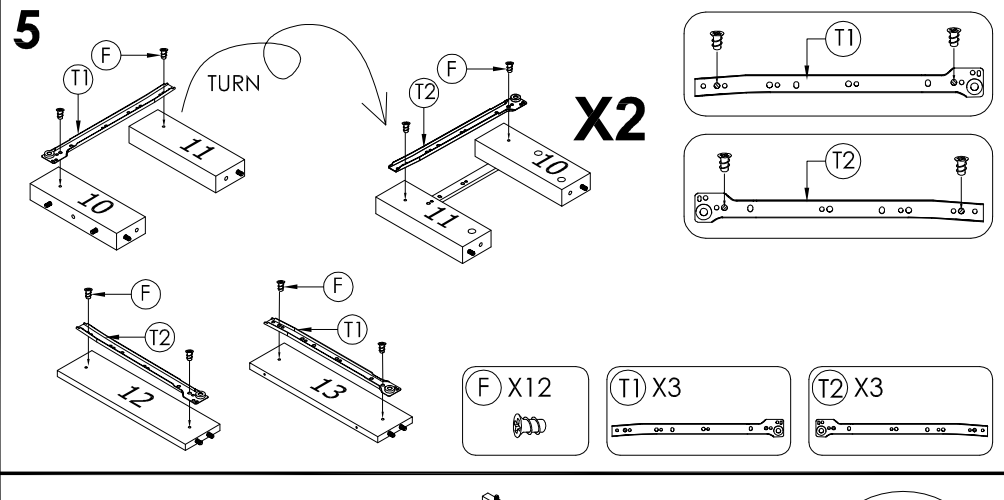
3



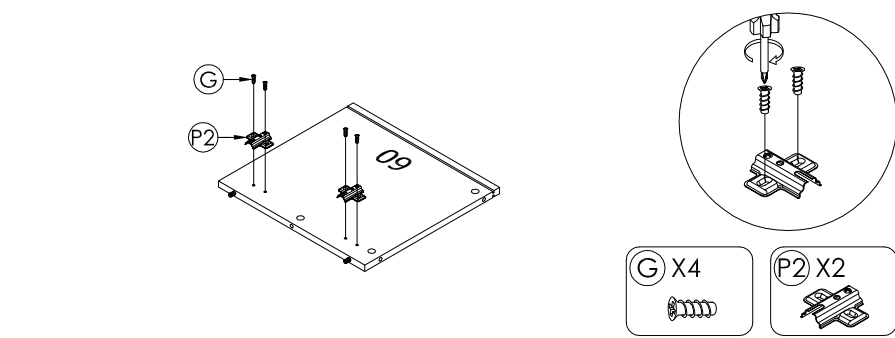
4



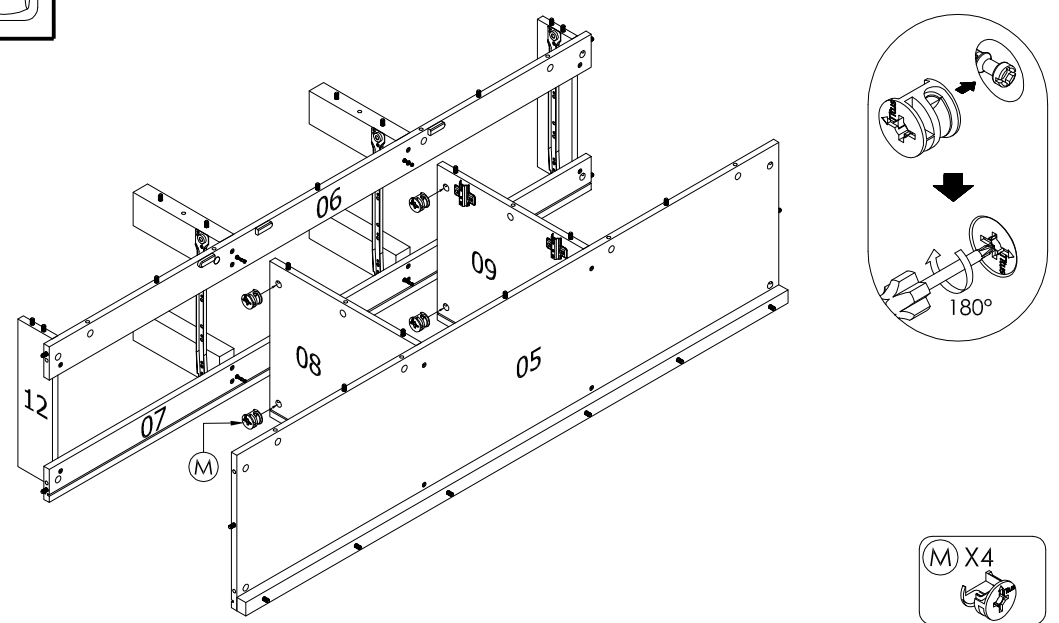
5



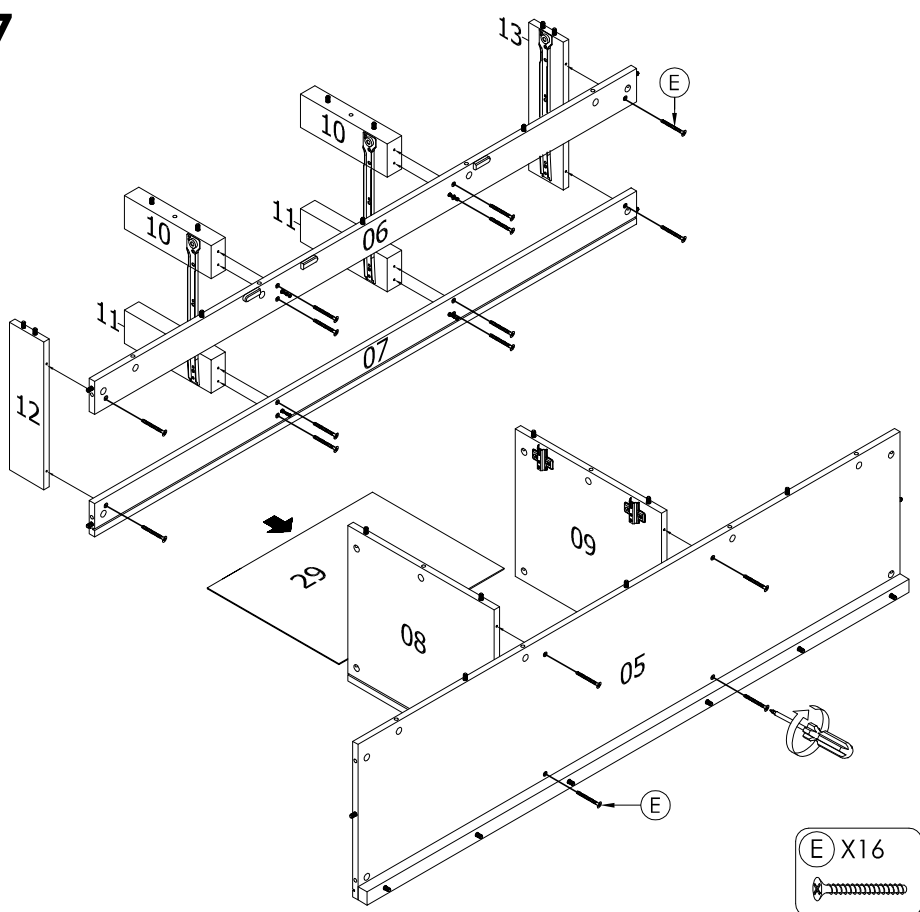
6



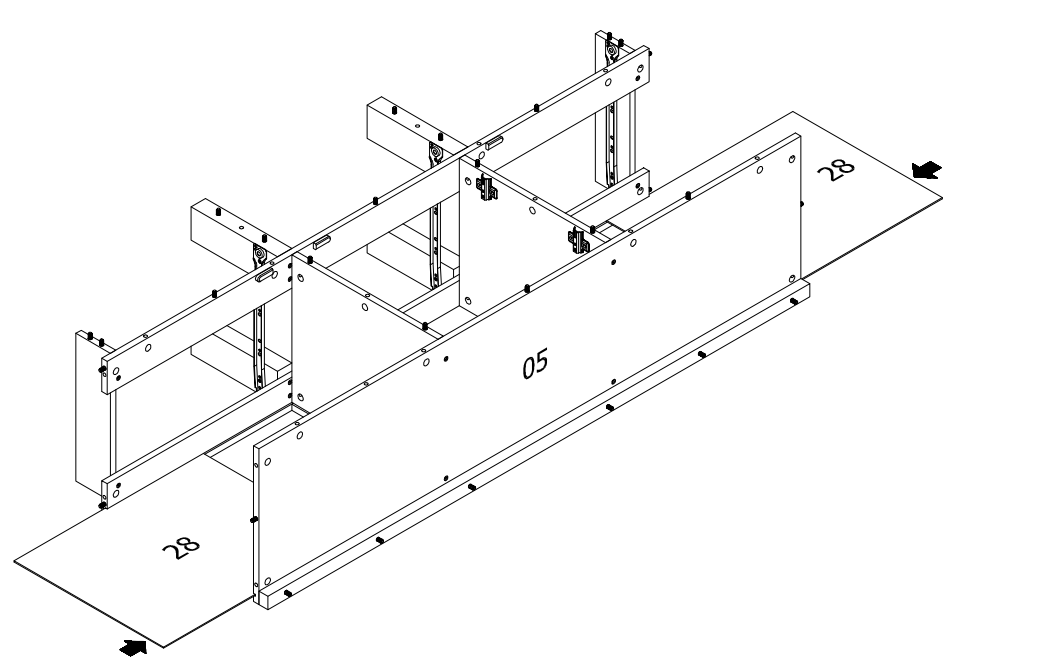
8



7



9

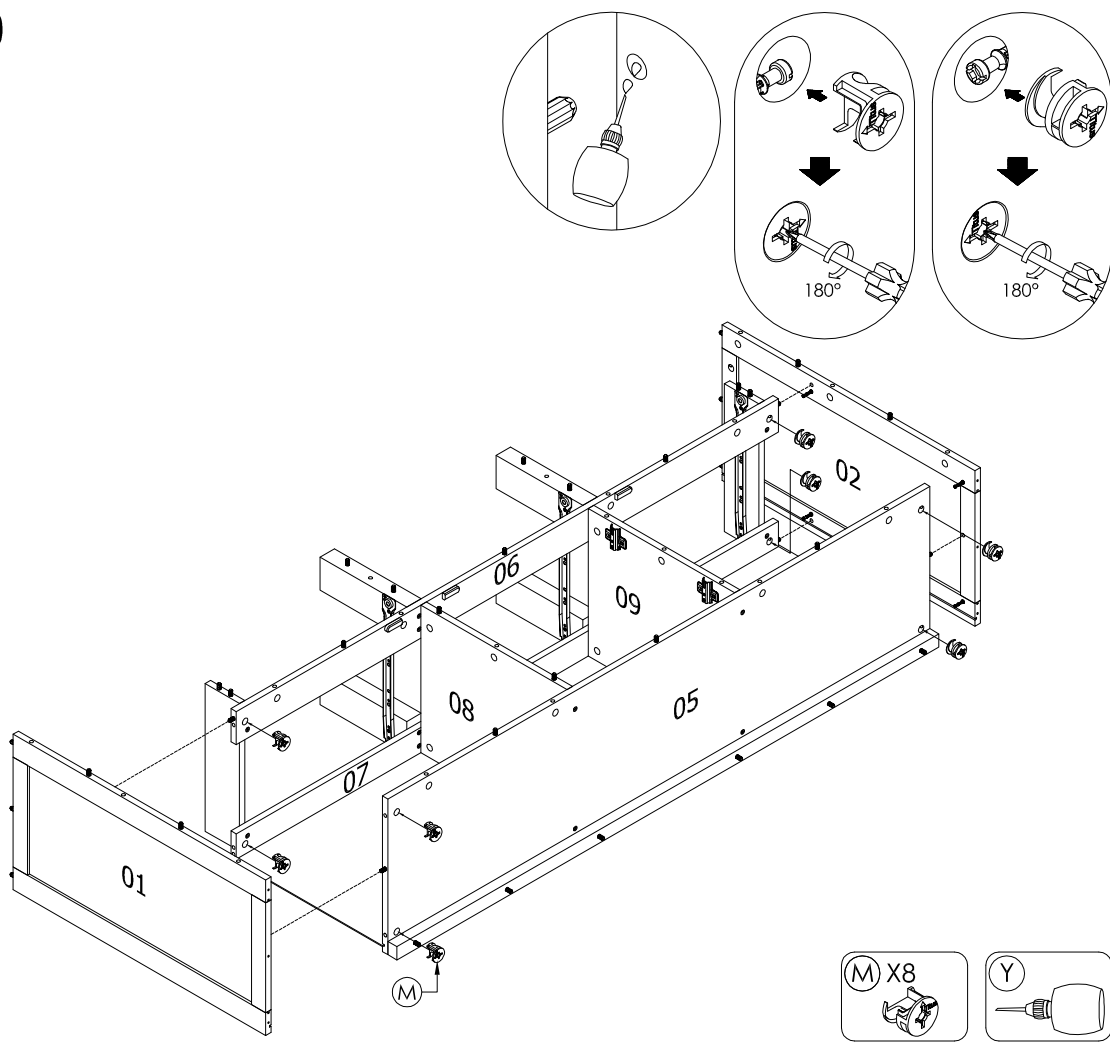


ASSEMBLING GUIDE MODEL 5190-9-02

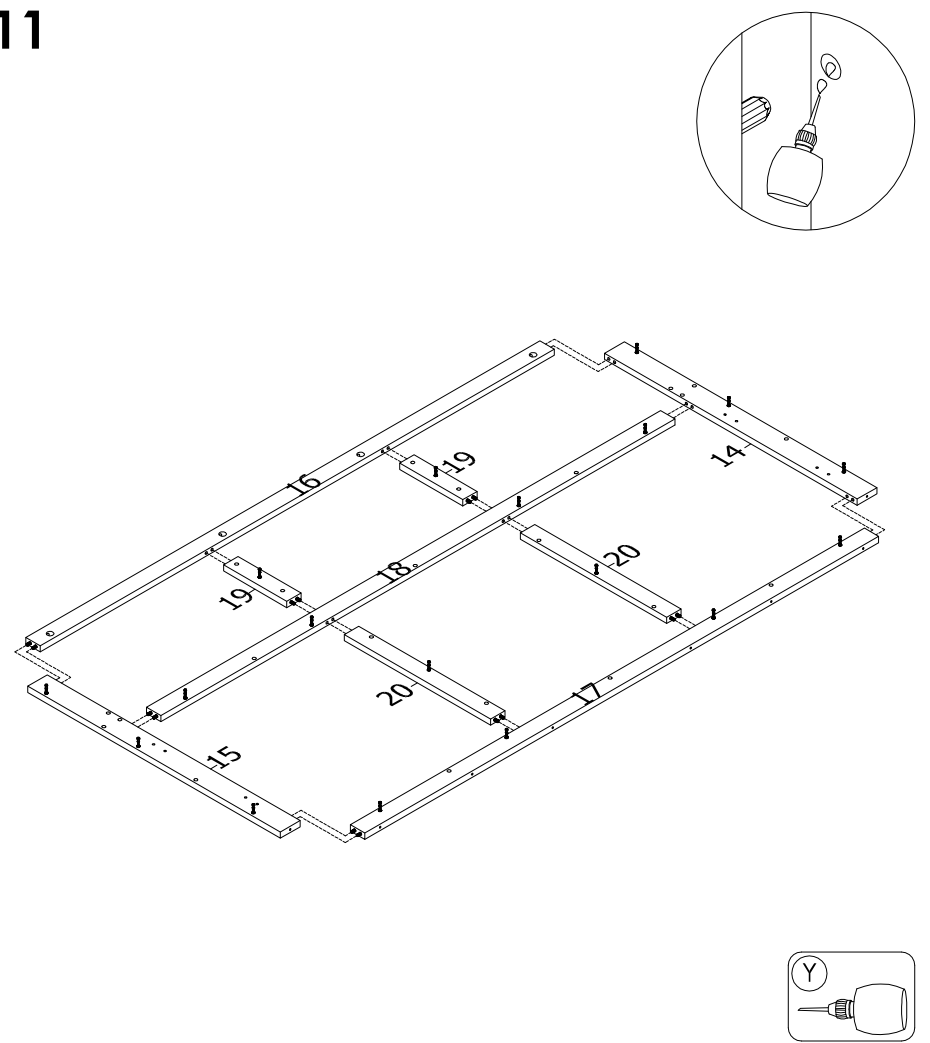
**WARNING! NOT SUITABLE FOR CHILDREN
UNDER 3 YEARS. CONTAINS SMALL PARTS.**

CAUTION
MATERIAL USED - LAMINATED MEDIUM DENSITY FIBERBOARD AND PARTICLEBOARD FRAME * TO CLEAN
USING SOFT, DRY, CLOTH * DO NOT USE DETERGENT OR CHEMICALS * AVOID CONTACT WITH WATER AND
DIRECT SUNLIGHT * TO BE ASSEMBLED ON A SOFT, DRY, CLEAN AND SMOOTH SURFACE * DO NOT USE
POWER DRILLS TO ASSEMBLE AS THIS MAY CAUSE DAMAGE TO THE PRODUCT IF OVER-TIGHTENED

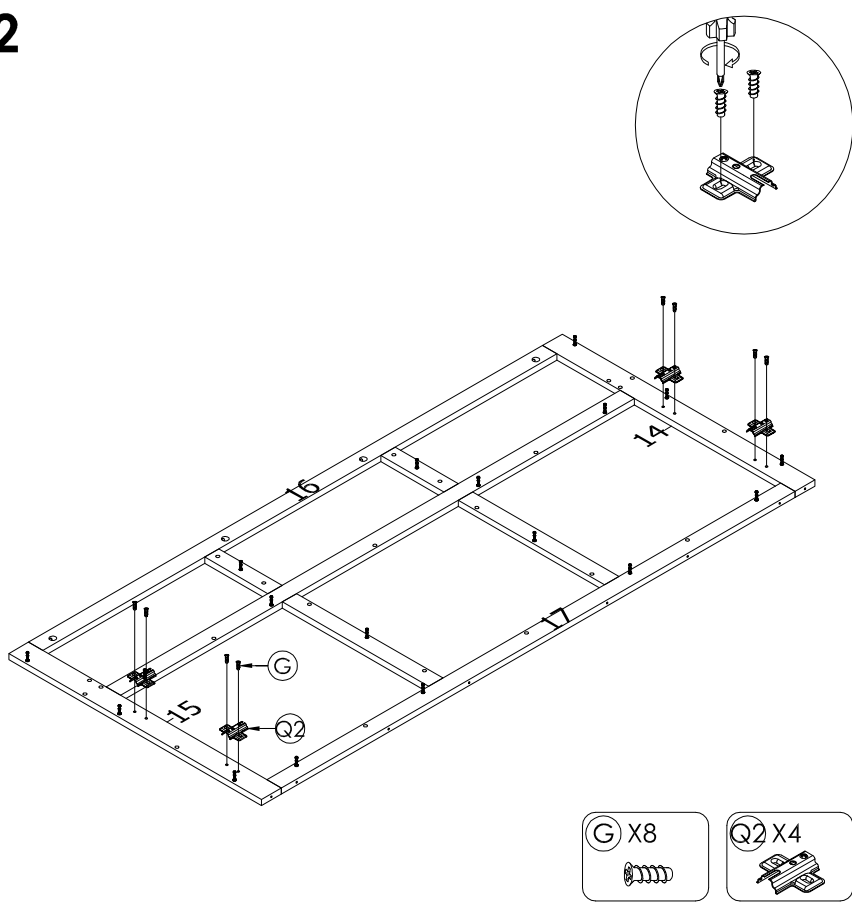
10



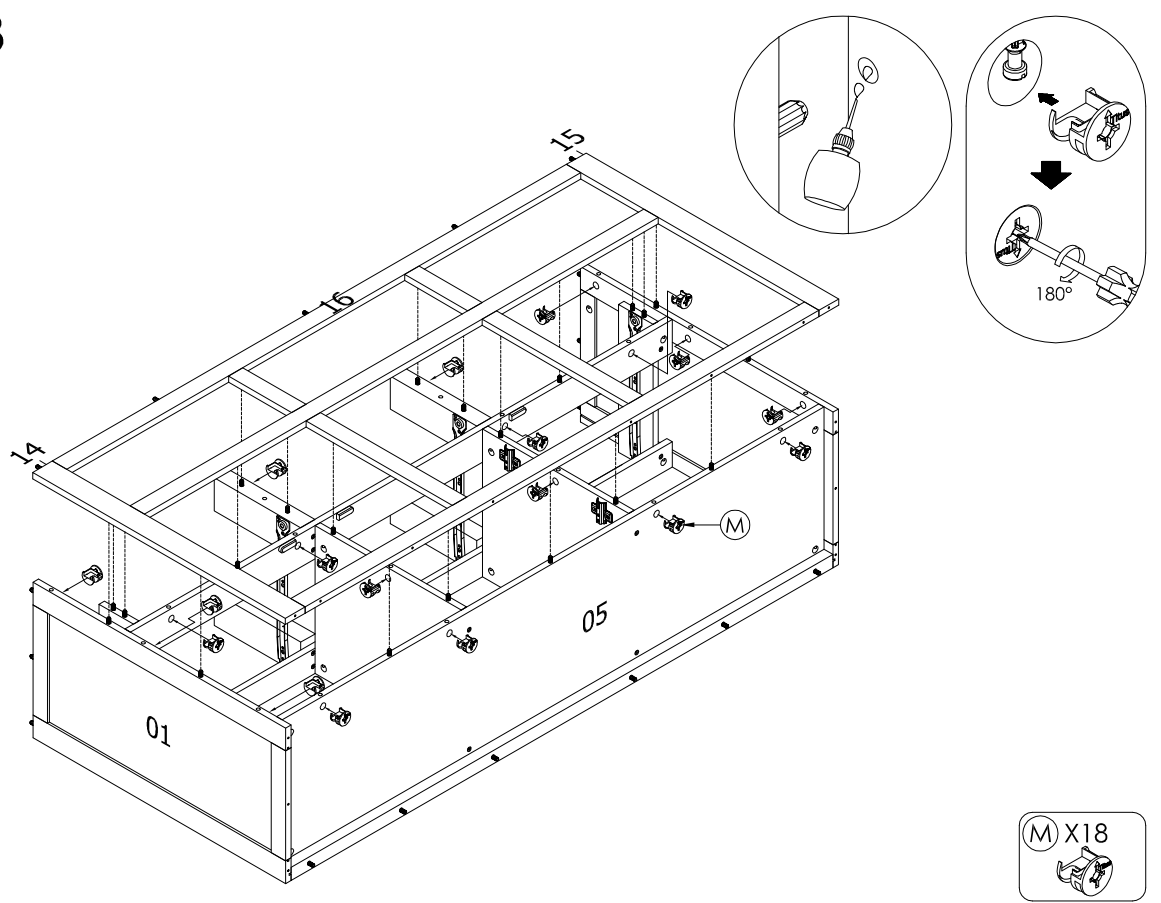
11



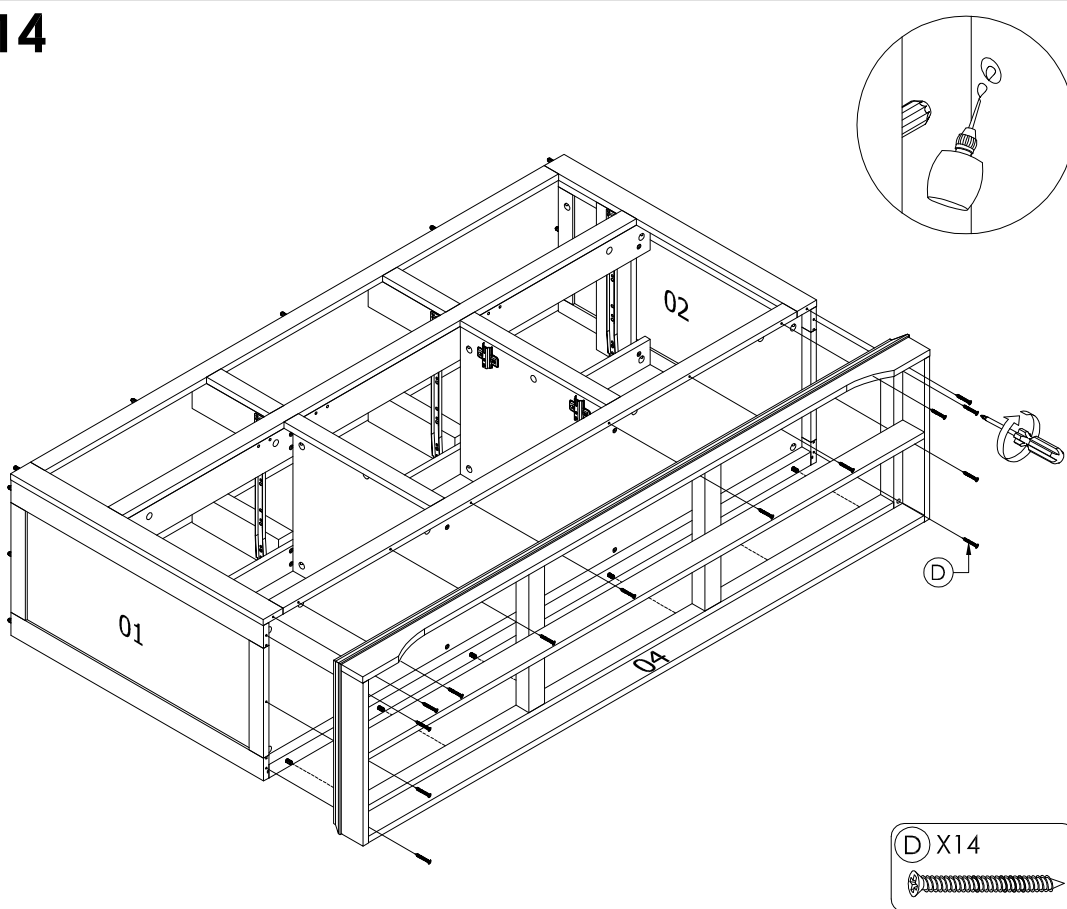
12



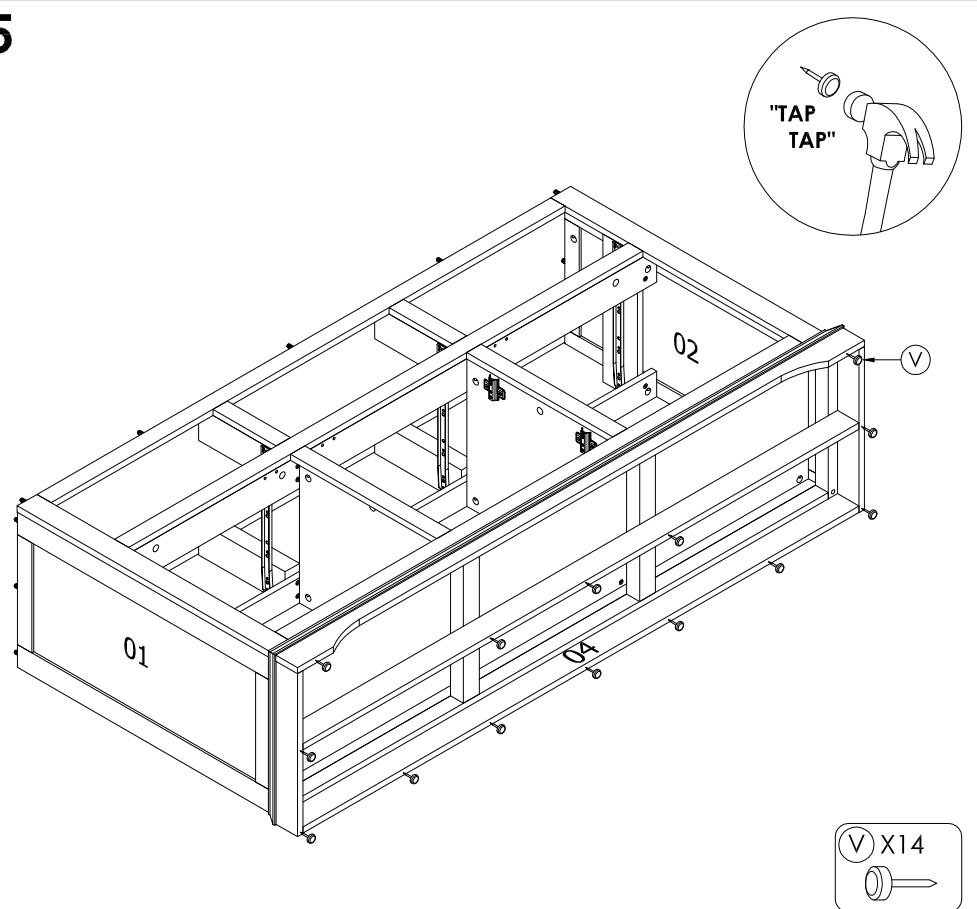
13



14



15

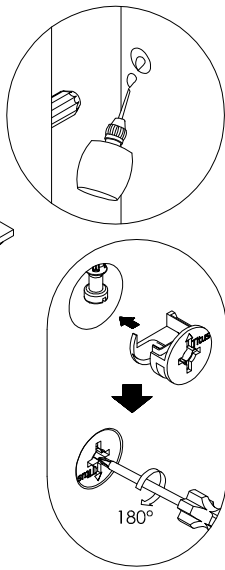
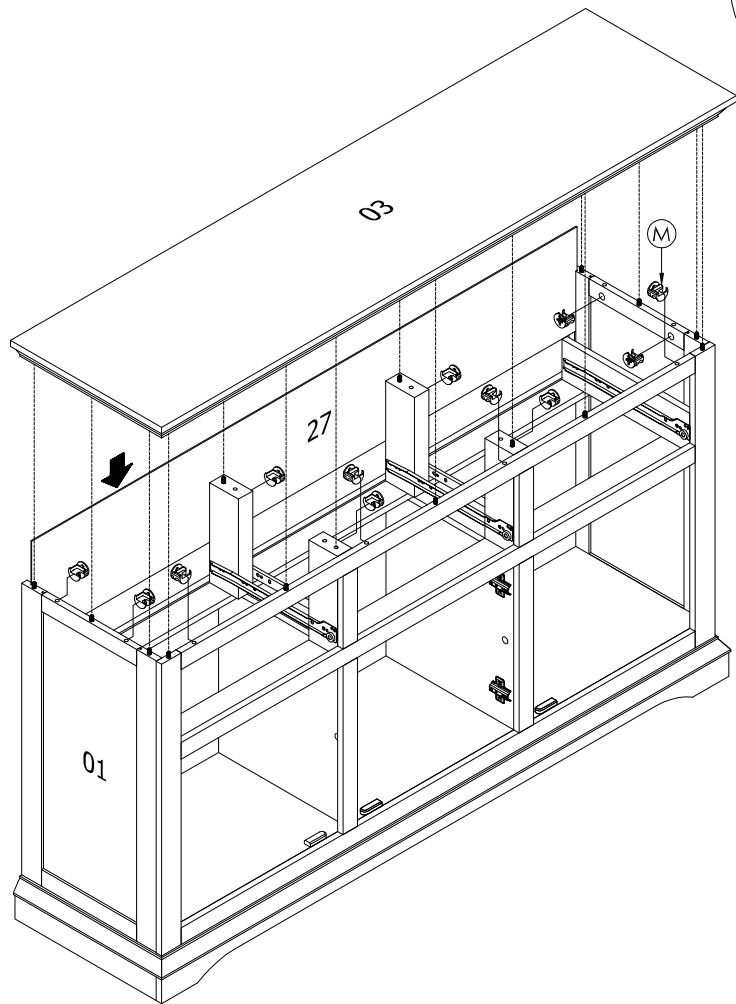


ASSEMBLING GUIDE MODEL 5190-9-02

**WARNING! NOT SUITABLE FOR CHILDREN
UNDER 3 YEARS. CONTAINS SMALL PARTS.**

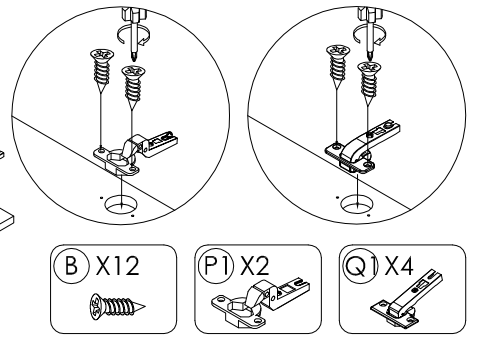
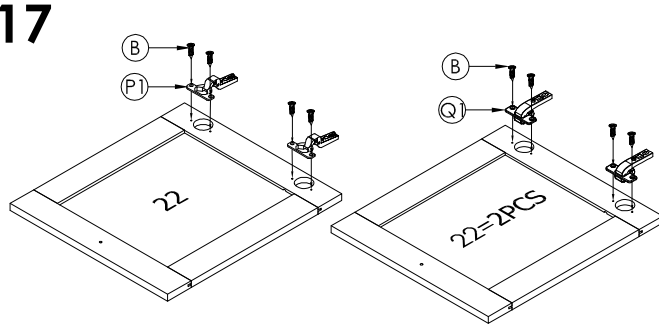
CAUTION
MATERIAL USED - LAMINATED MEDIUM DENSITY FIBERBOARD AND PARTICLEBOARD FRAME * TO CLEAN
USING SOFT, DRY, CLOTH * DO NOT USE DETERGENT OR CHEMICALS * AVOID CONTACT WITH WATER AND
DIRECT SUNLIGHT * TO BE ASSEMBLED ON A SOFT, DRY, CLEAN AND SMOOTH SURFACE * DO NOT USE
POWER DRILLS TO ASSEMBLE AS THIS MAY CAUSE DAMAGE TO THE PRODUCT IF OVER-TIGHTENED

16



M X12

17

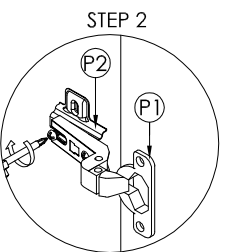
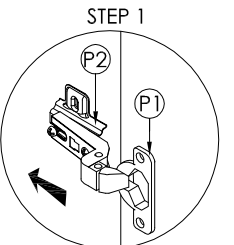
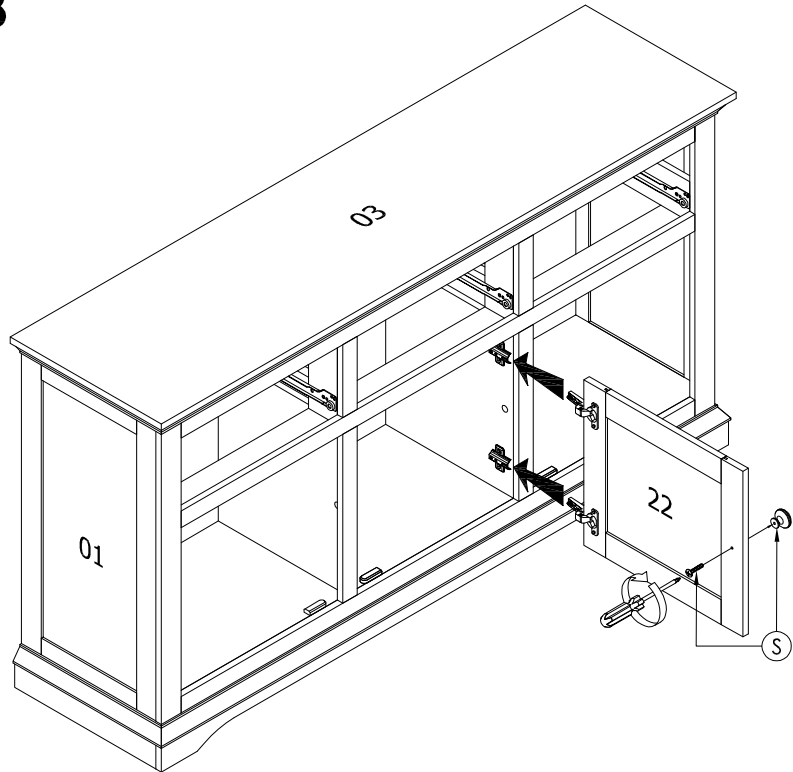


B X12

P1 X2

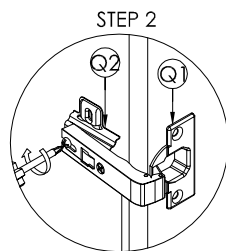
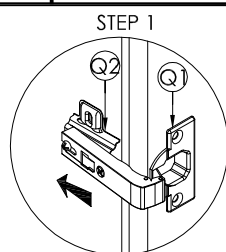
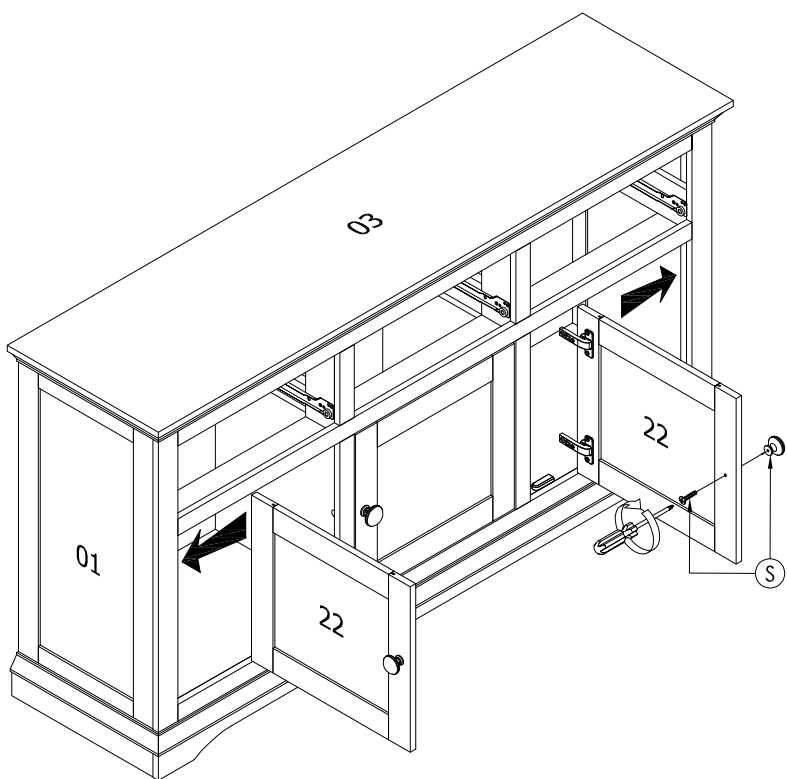
Q X4

18



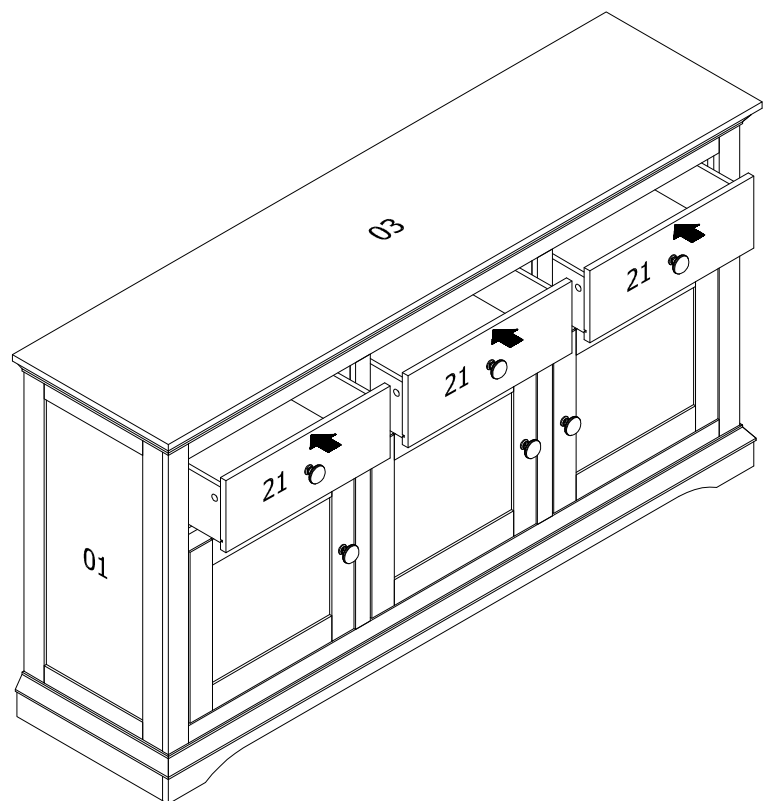
S X1

19

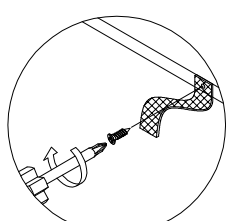
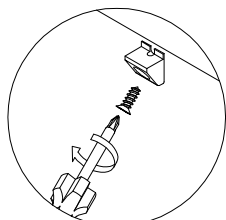
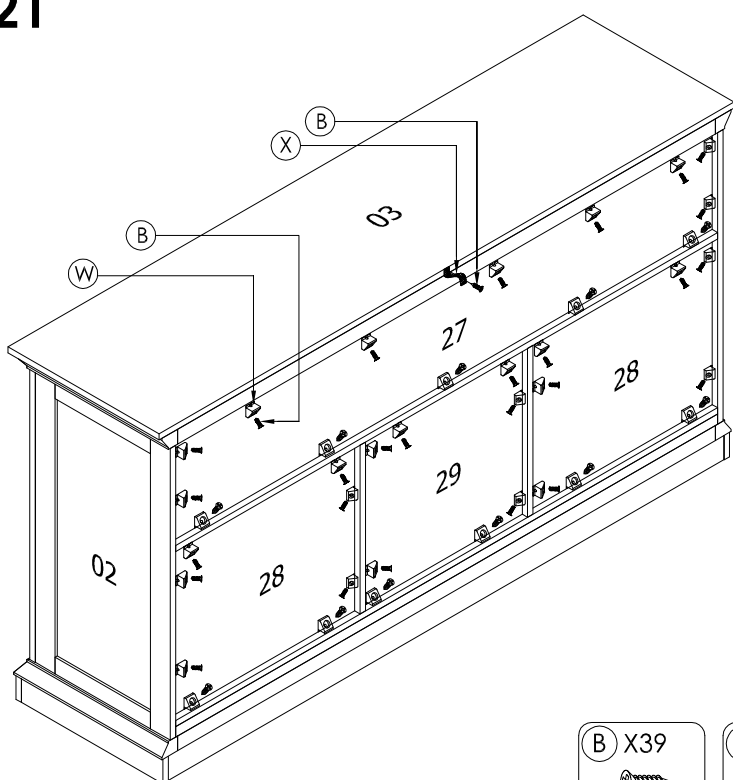


S X2

20



21

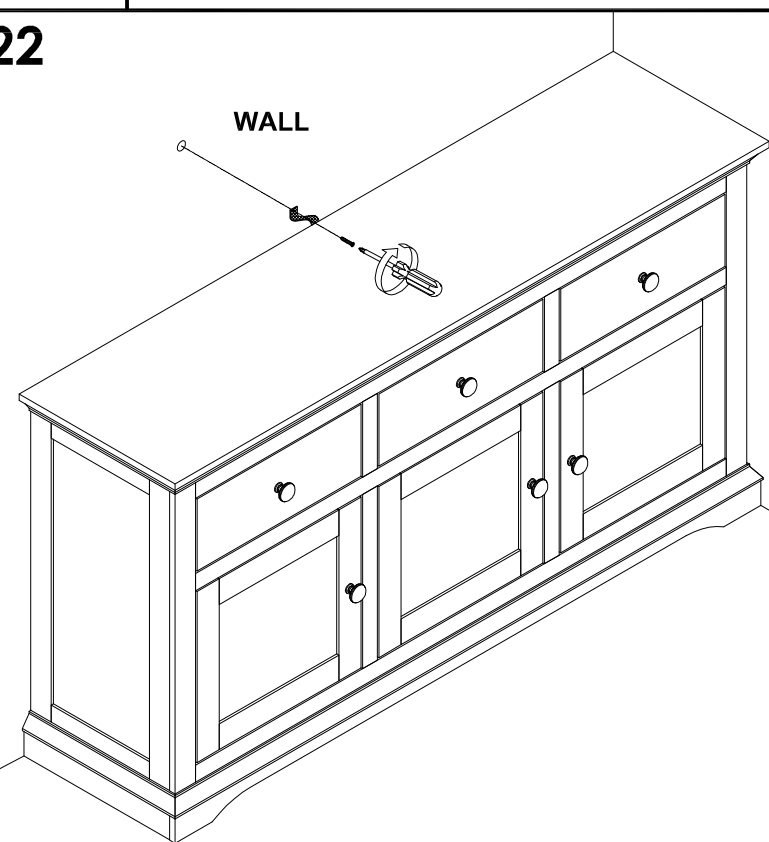


B X39

W X38

X X1

22



NOTE:
WALL PLUG & SCREW ARE NOT SUPPLIED WITH THIS PRODUCT AS DIFFERENT WALL MATERIALS REQUIRE DIFFERENT TYPES OF FIXING HARDWARE & YOU MUST USE SUITABLE FIXING HARDWARE FOR TYPE OF WALL YOU INTEND TO MOUNT THIS PRODUCT TO WALL.