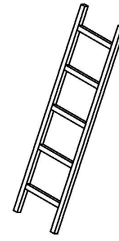
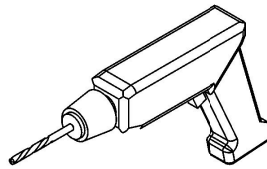
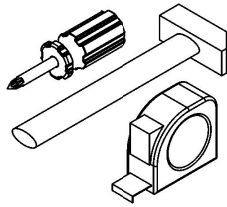
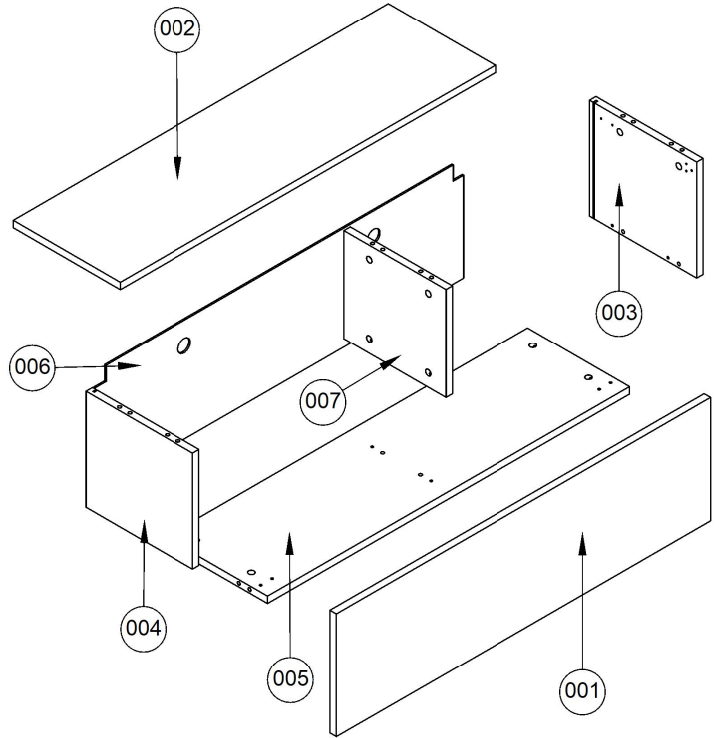
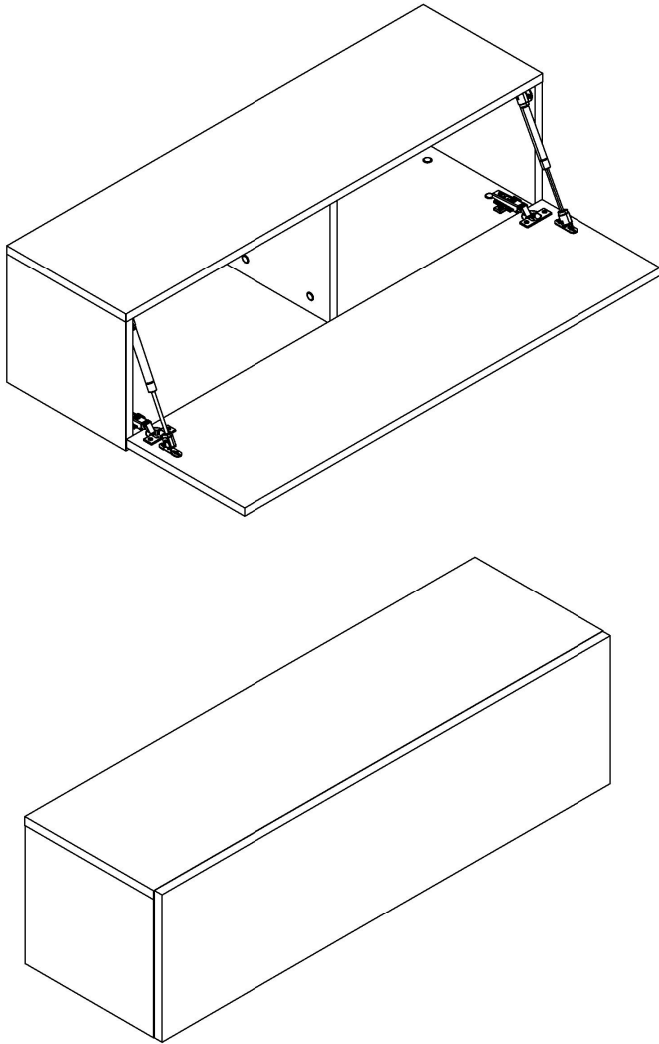


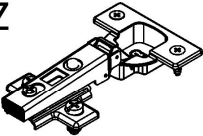



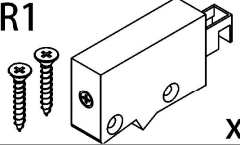
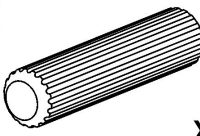

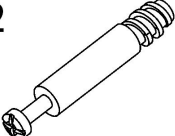
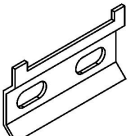
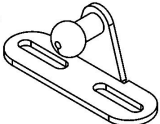
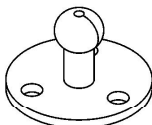

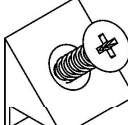
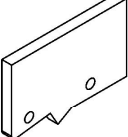
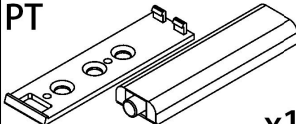

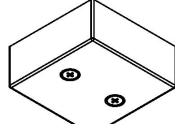

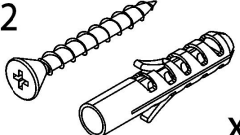
- 30 min.

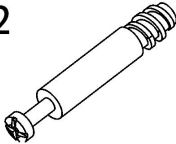
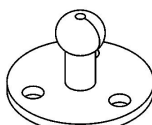
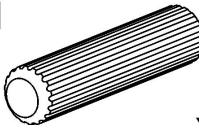




**RTV105**

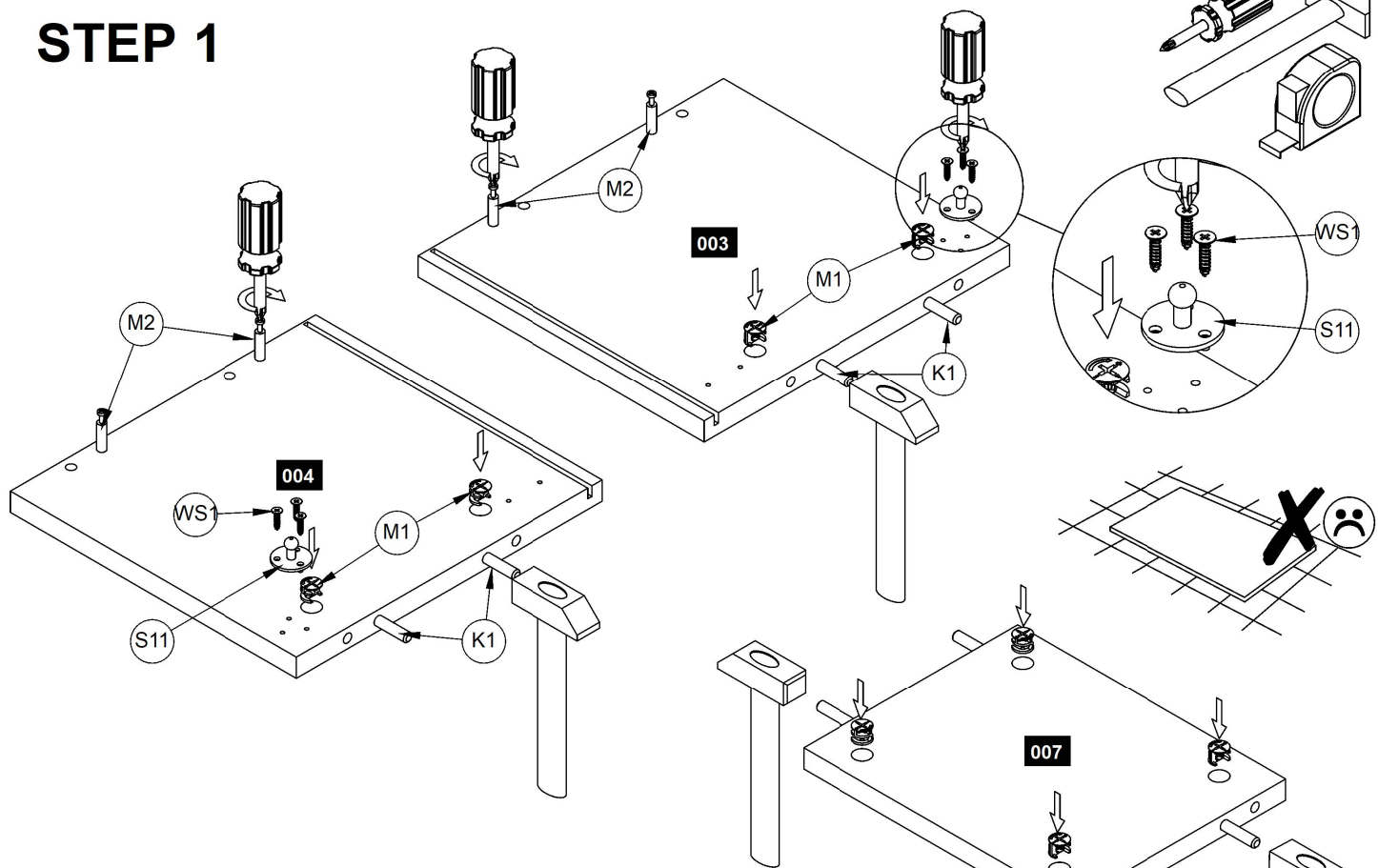


Number	Qty	Size A	Size B
001	1	299	1049
002	1	1052	301
003	1	281	300
004	1	281	300
005	1	1015	286
006	1	289	1033
007	1	263	286

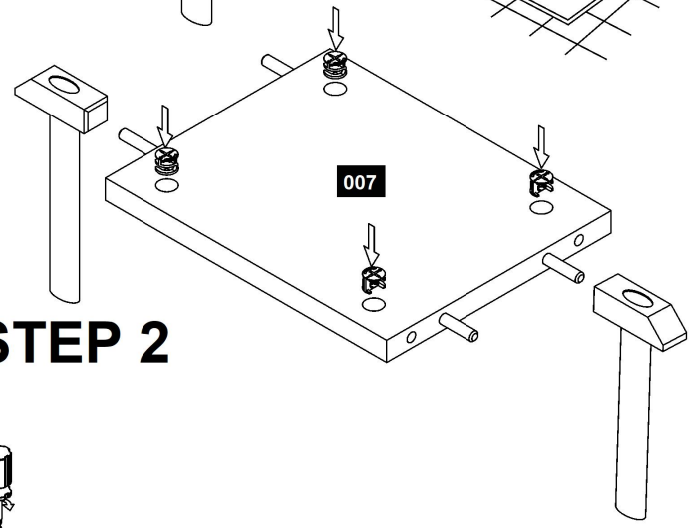
ZZ  x2	M3  x12	WS1  3,5x16 x27	WS3  4x30 x10	ZR1  x2
K1  x12	M1  x12	M2  x12	SZ  x2	S12  x2
S11  x2	S10  x2	ST1  x6	D1  x2	
PT  x1	RZ  x2	S6  x5	WS4  4x35 x4	D2  x4

<b>M2</b>  x12	<b>S11</b>  x2	<b>K1</b>  x12	<b>WS1</b>  3,5x16 x27	<b>M1</b>  x12
---	--	--	--	--

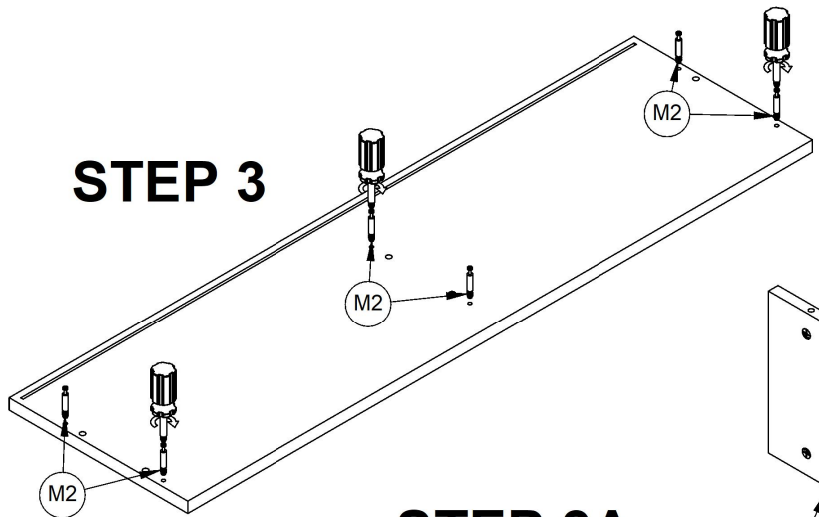
# STEP 1



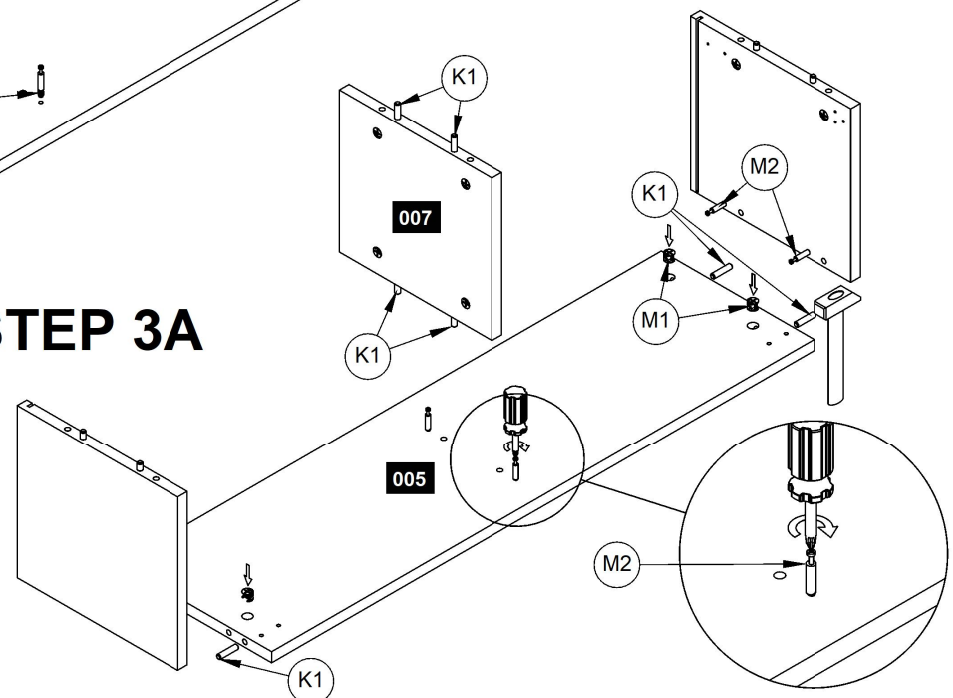
# STEP 2



# STEP 3



# STEP 3A

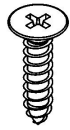


M1



x12

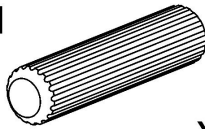
WS1



3,5x16

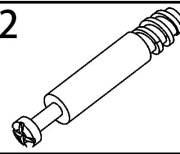
x27

K1



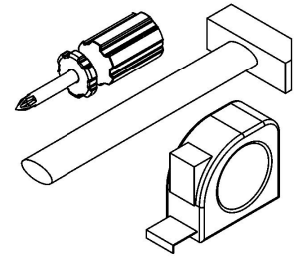
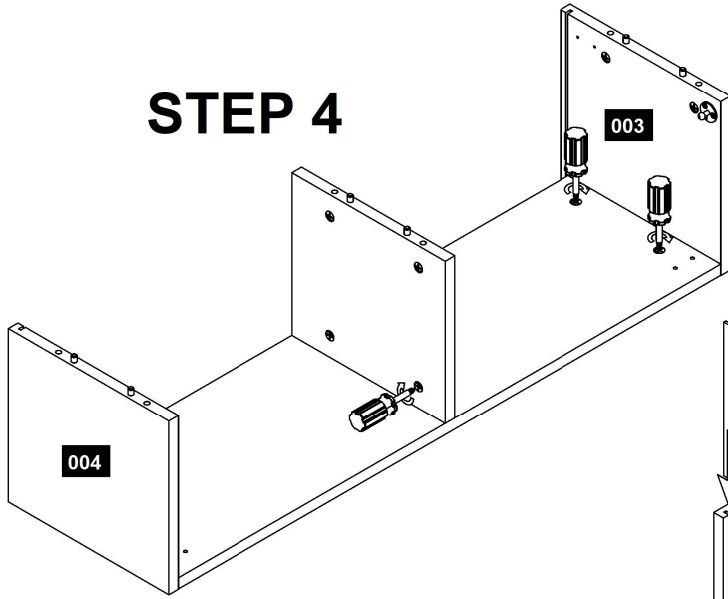
x12

M2

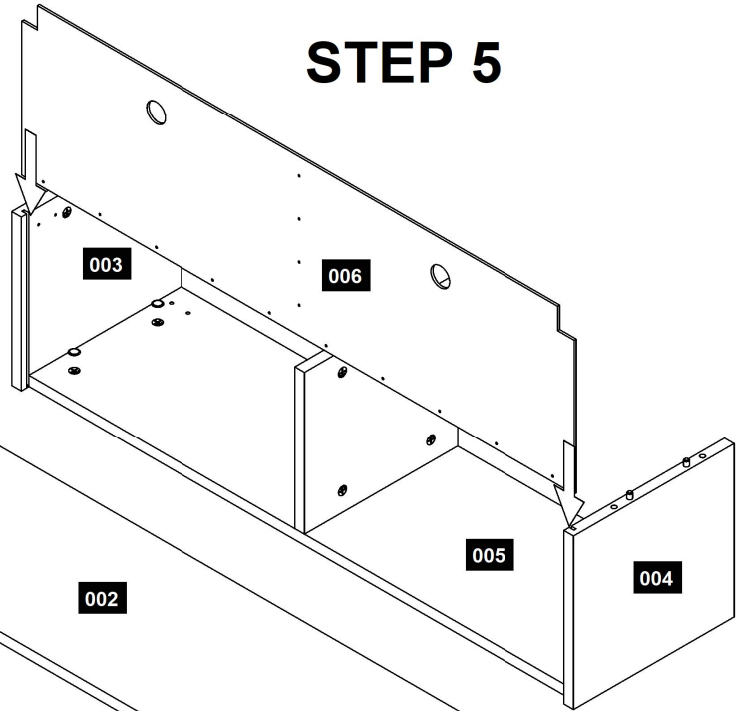


x12

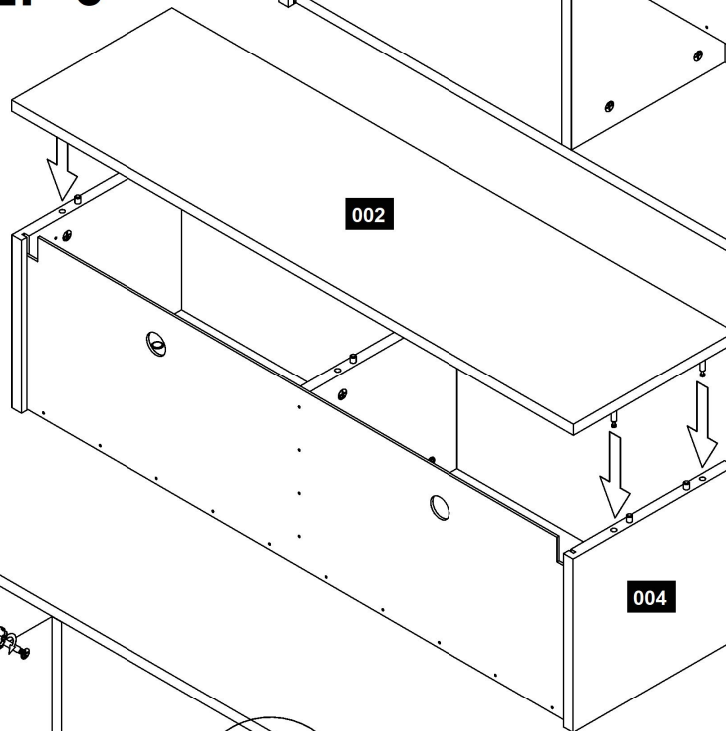
### STEP 4



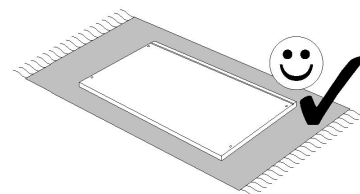
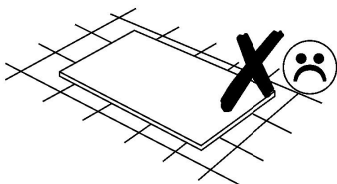
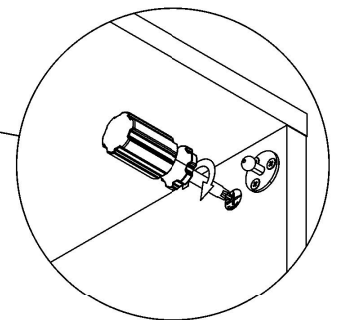
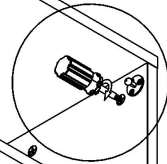
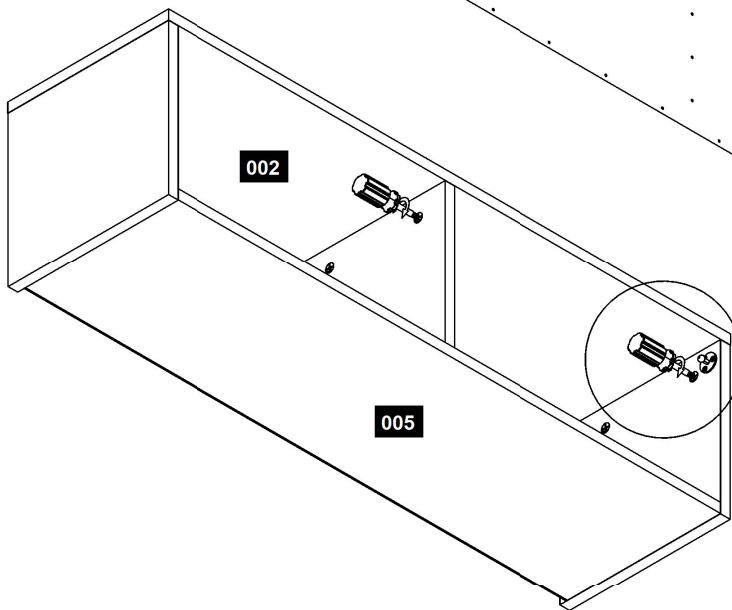
### STEP 5

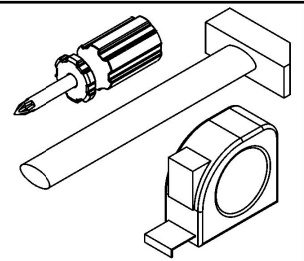
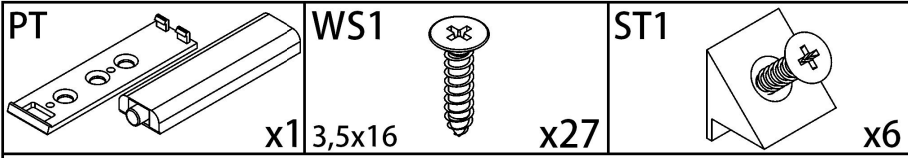


### STEP 6

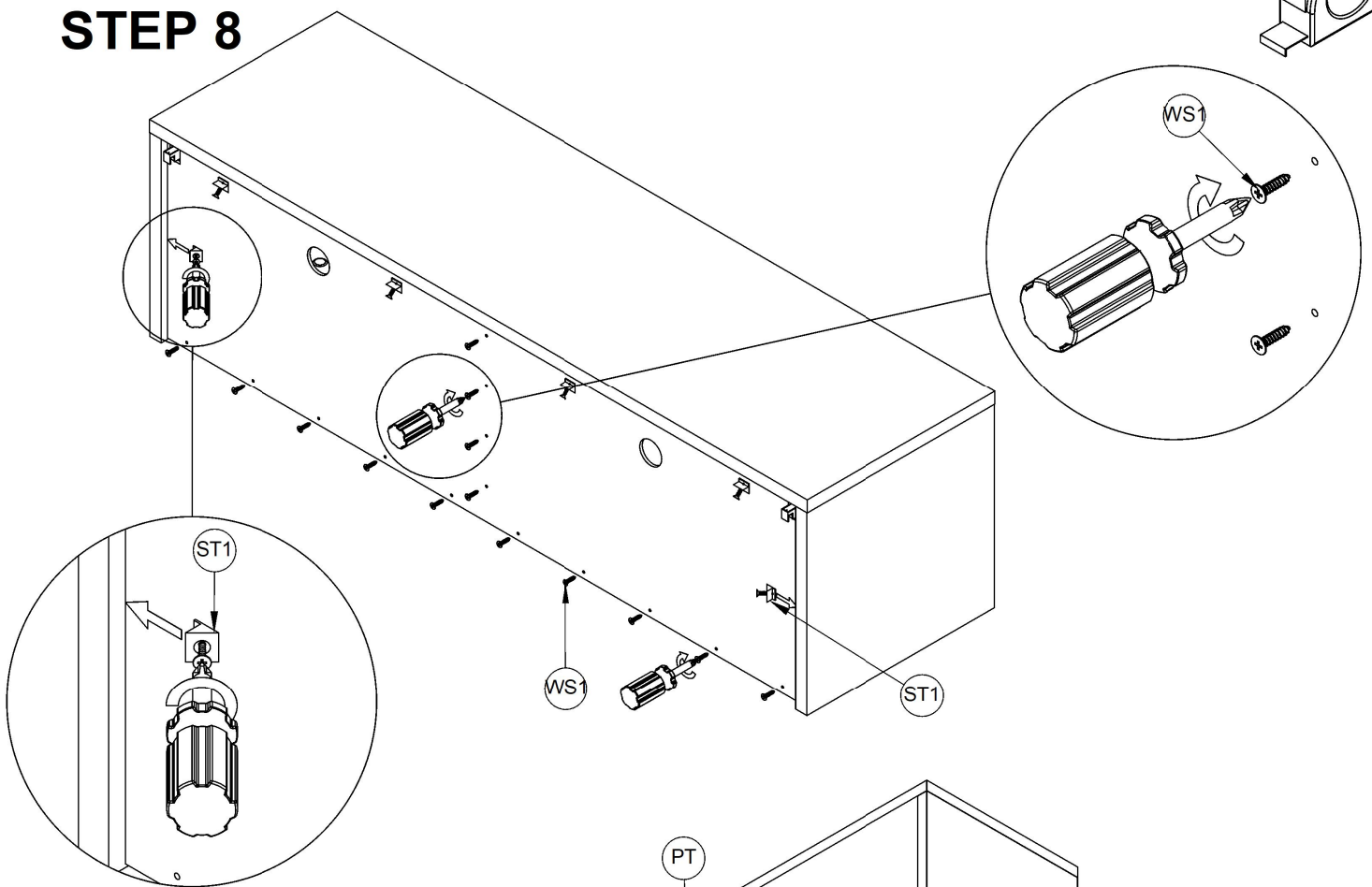


### STEP 7

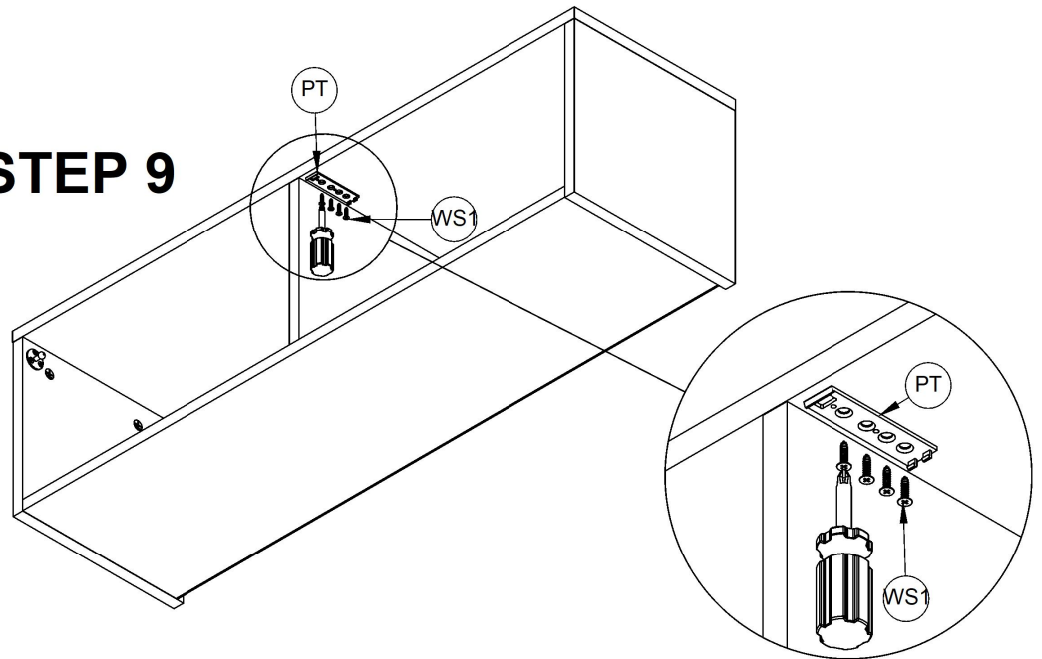




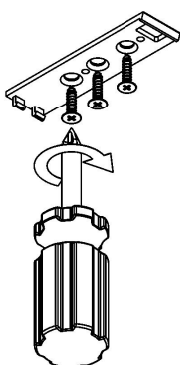
## STEP 8



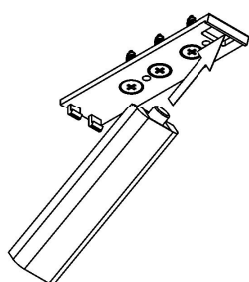
## STEP 9



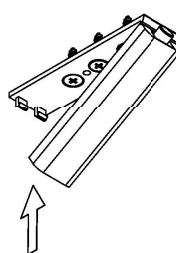
### STEP 9a



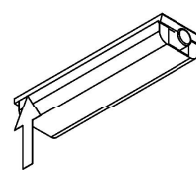
### STEP 9b

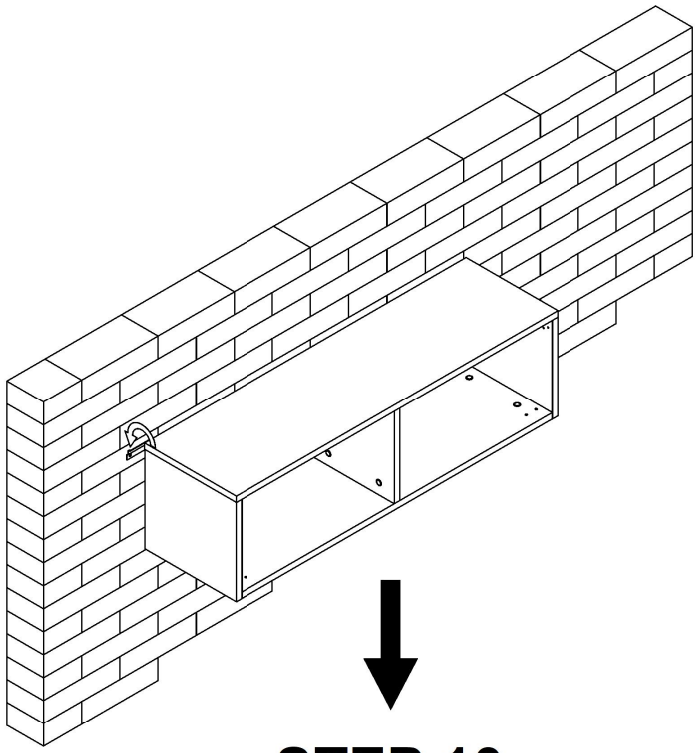
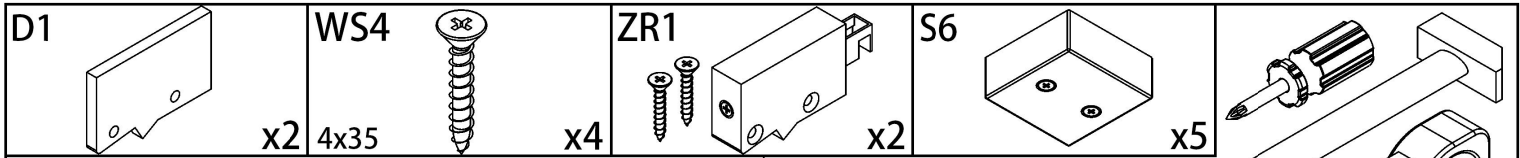


### STEP 9c

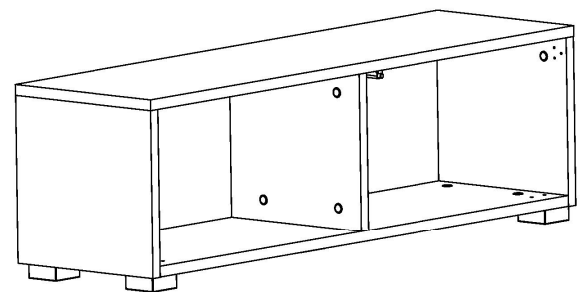


### STEP 9d



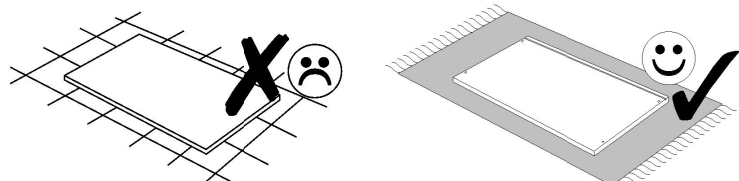
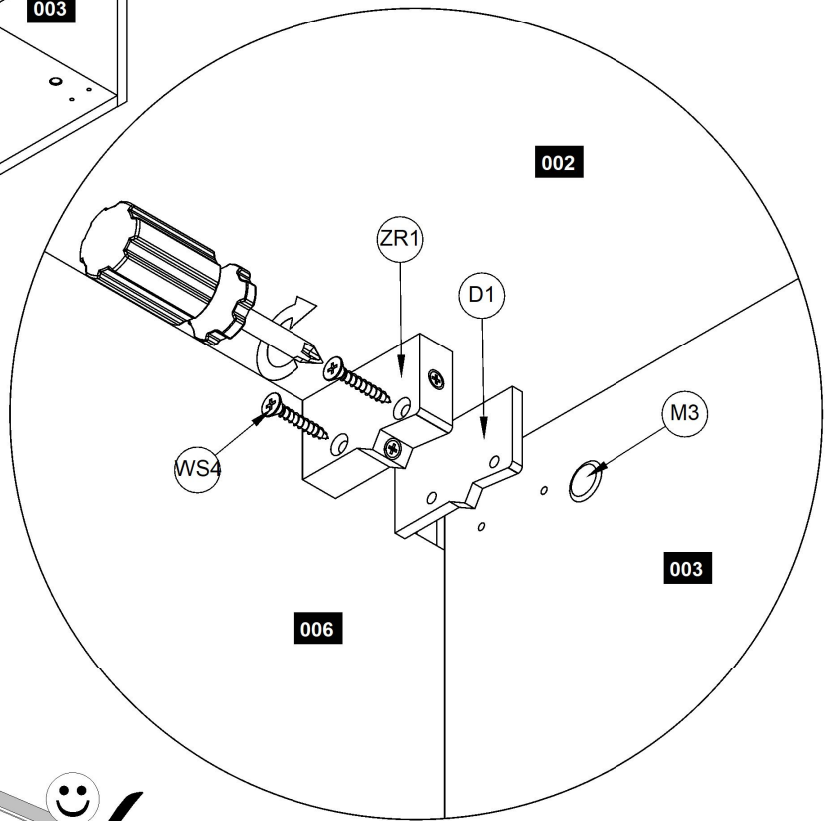
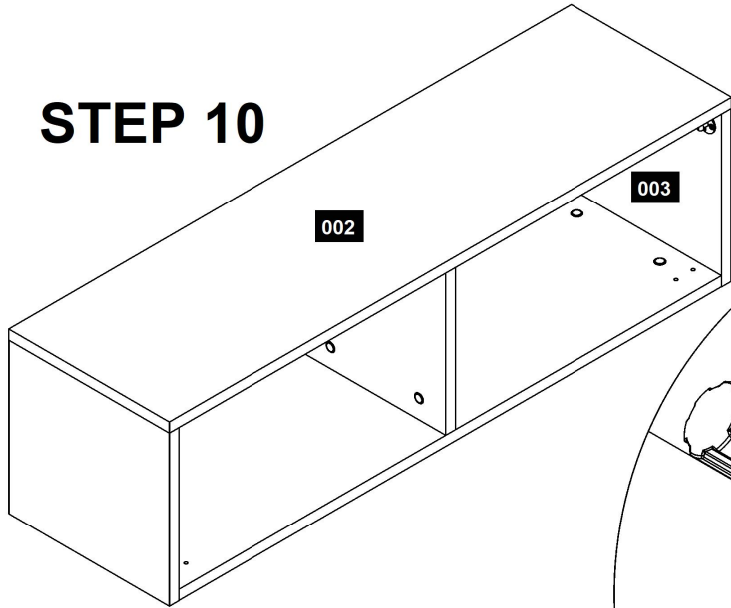


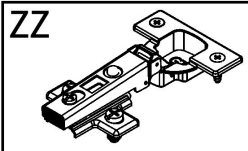
**STEP 10**



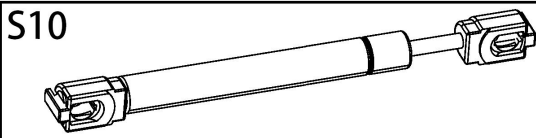
**STEP 17**

**STEP 10**

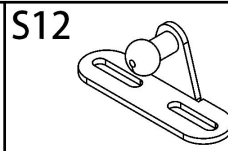




x2



x2

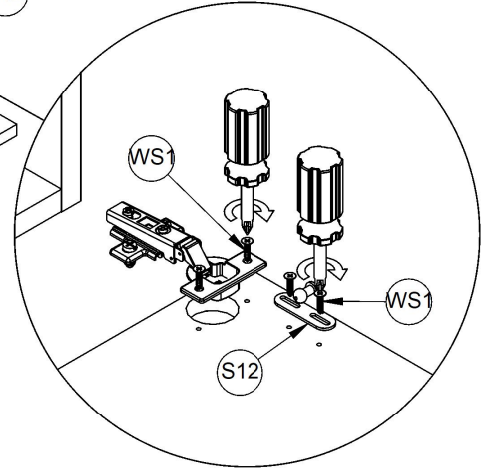
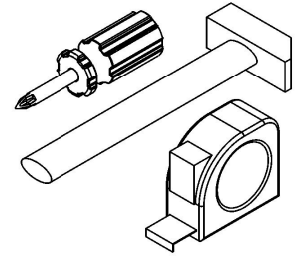
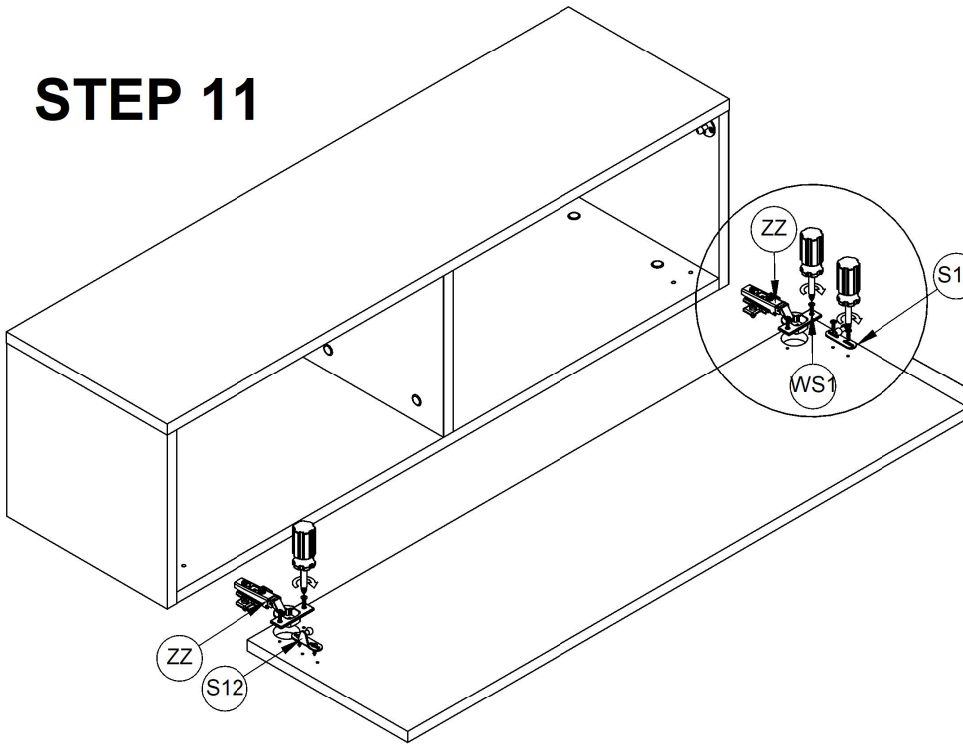


x2

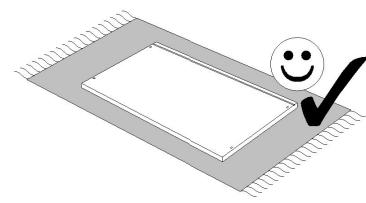
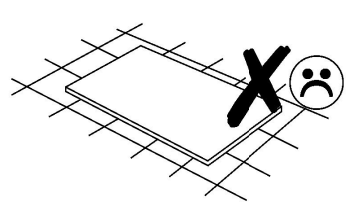
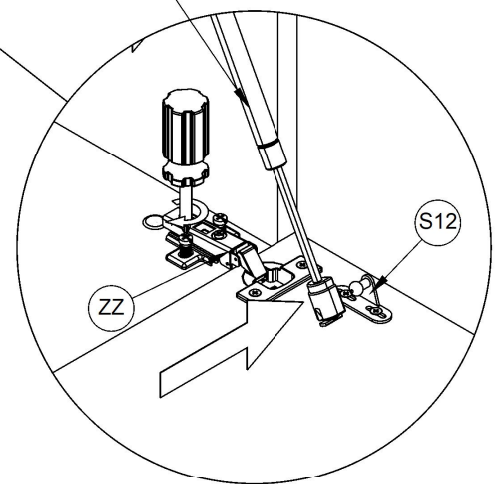
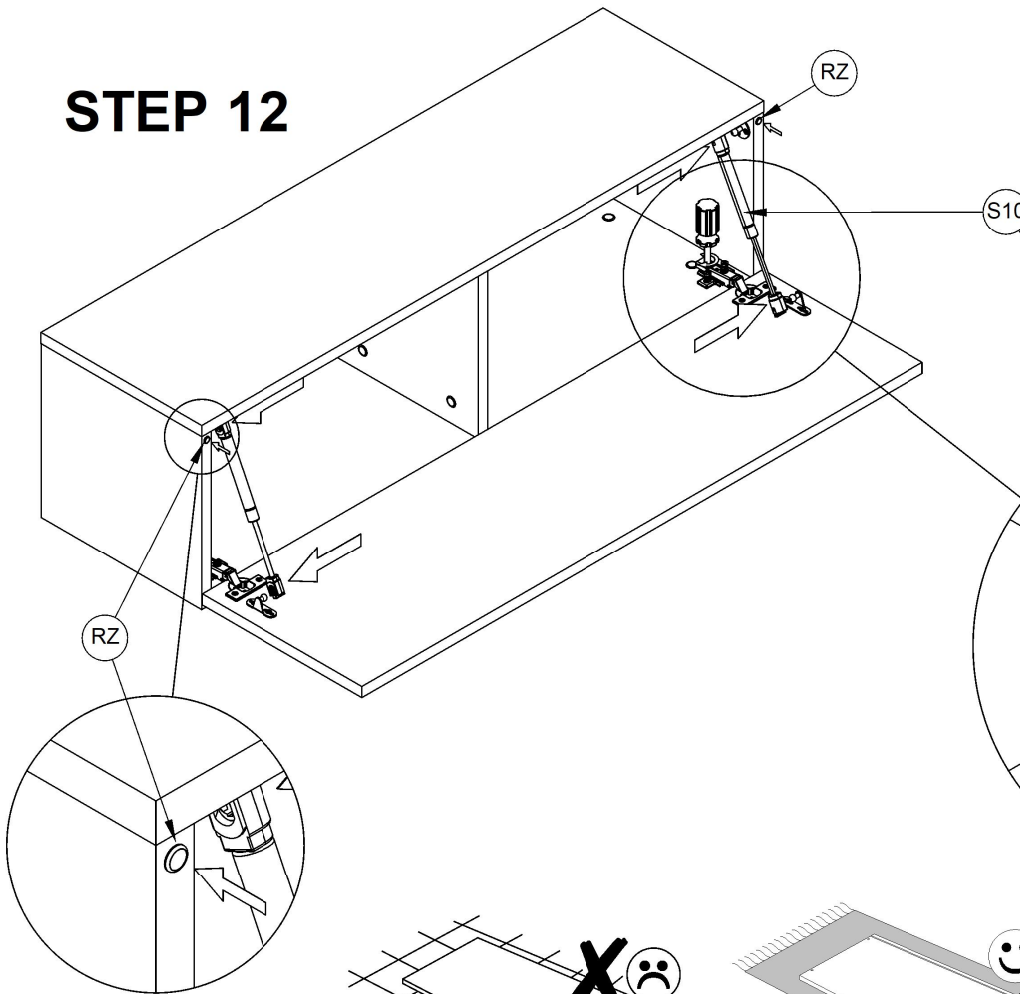


x2

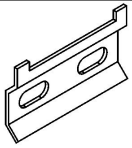
# STEP 11



# STEP 12

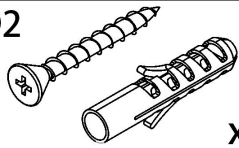


SZ

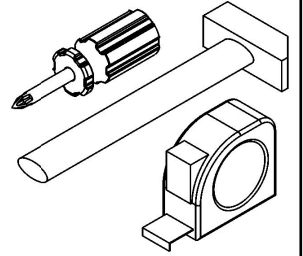
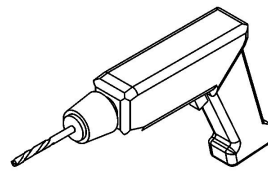


x2

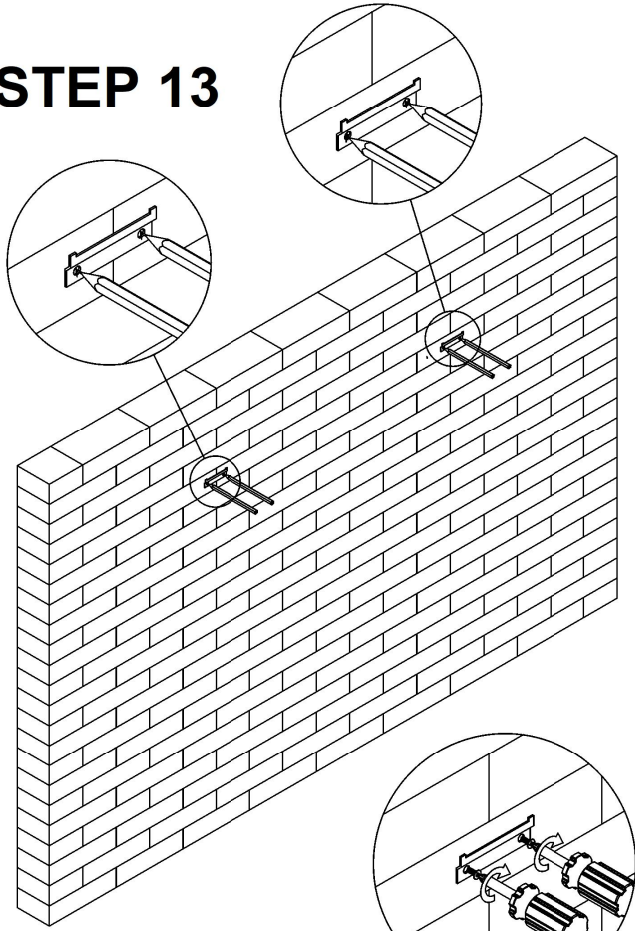
D2



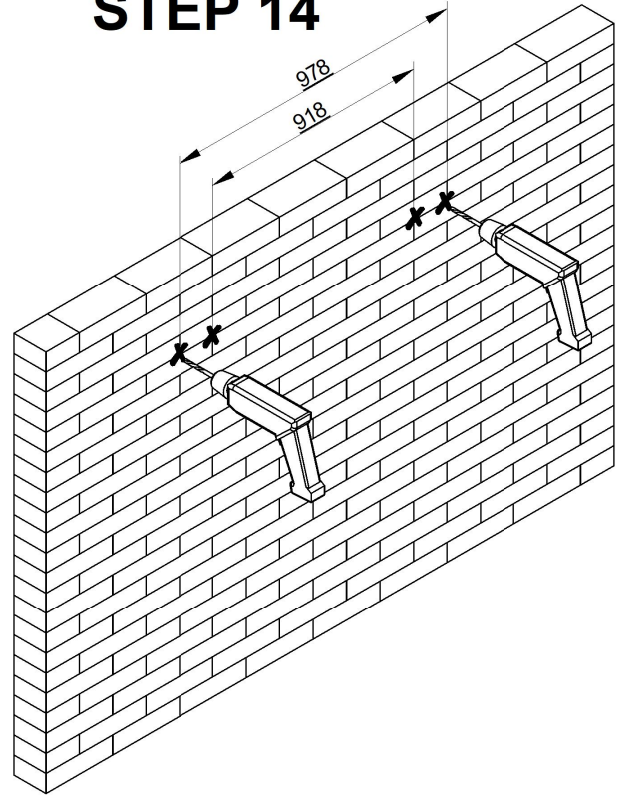
x6



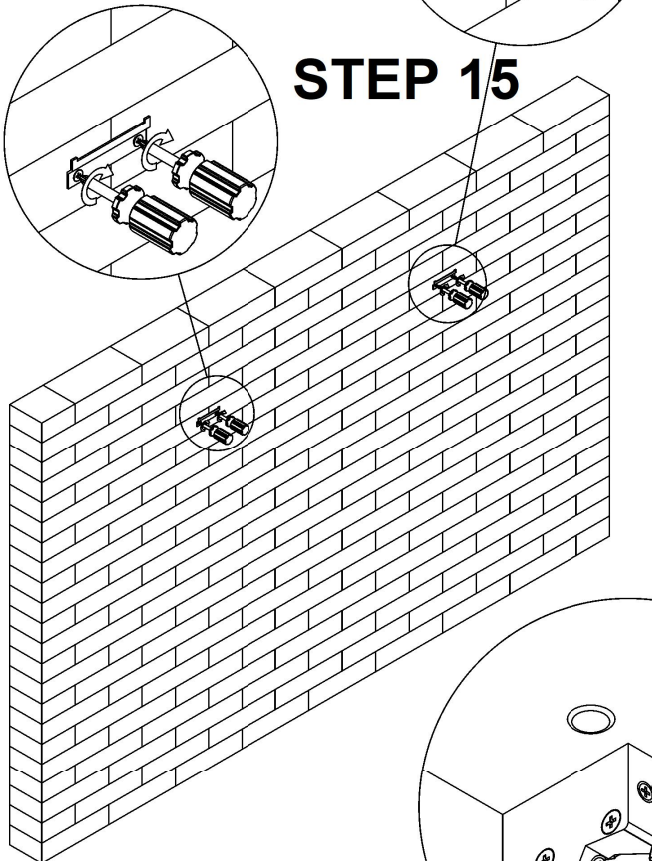
### STEP 13



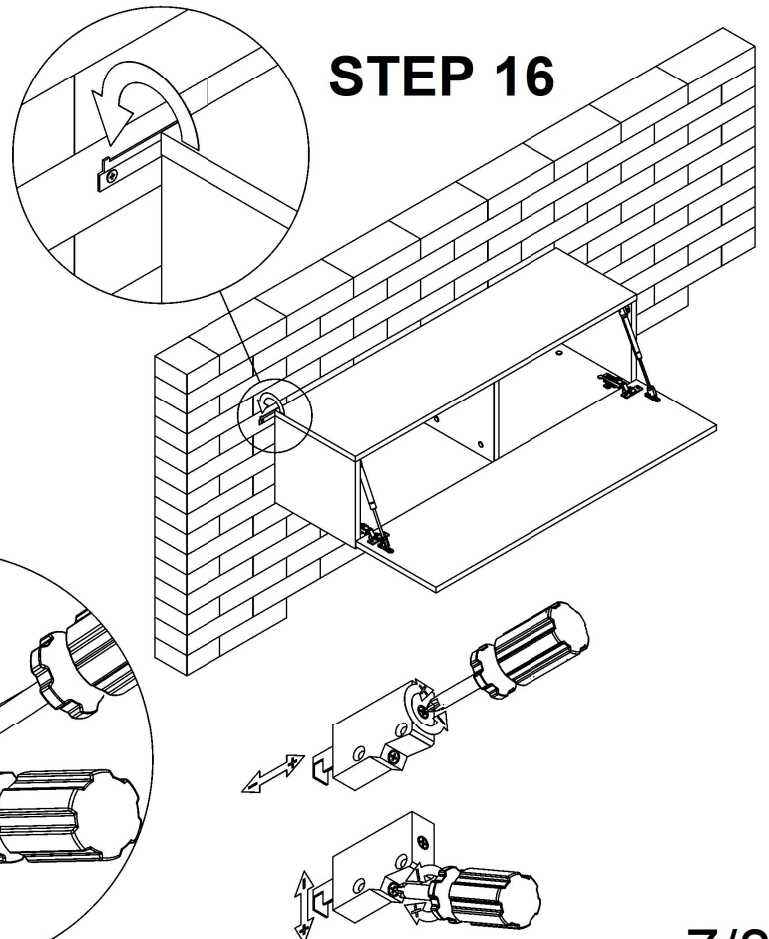
### STEP 14

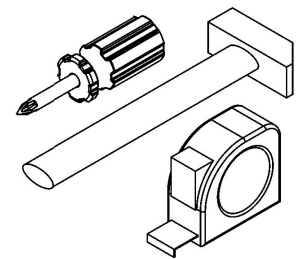
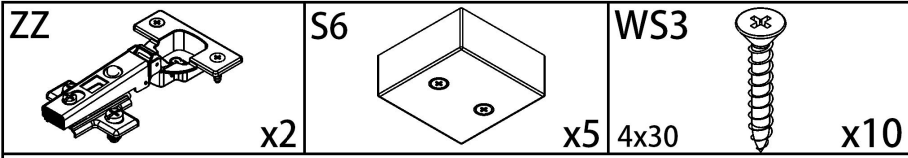


### STEP 15

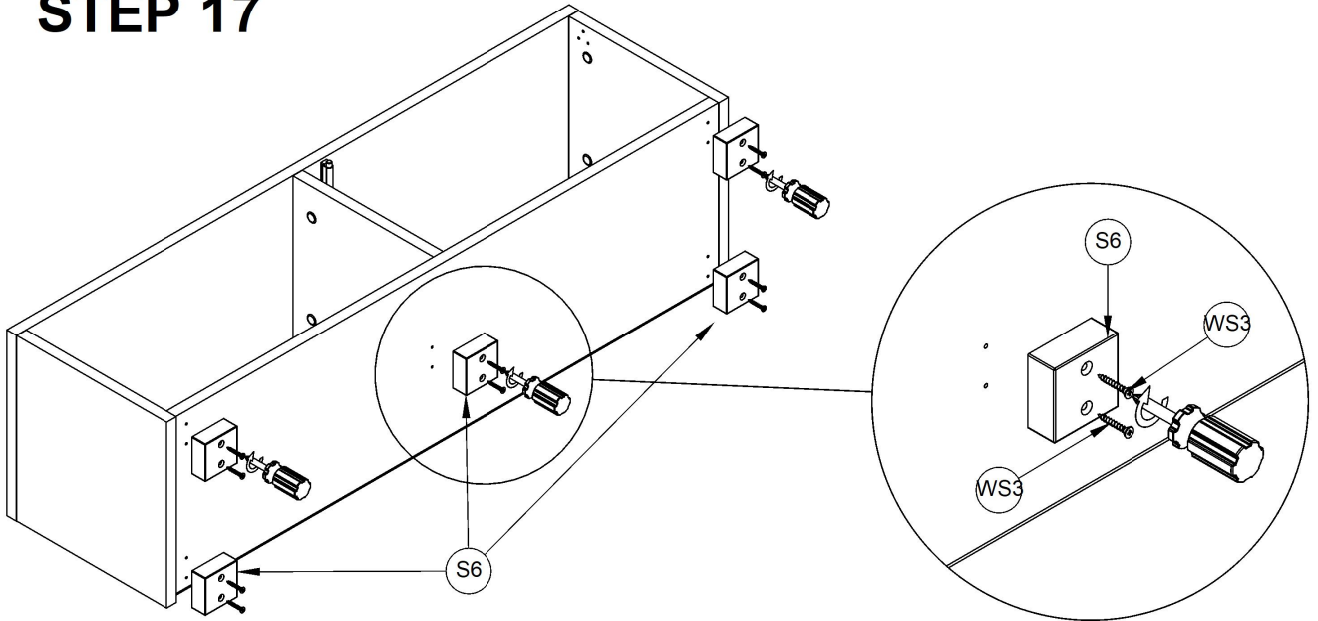


### STEP 16





# STEP 17



# ← STEP 11

