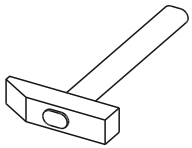
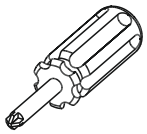
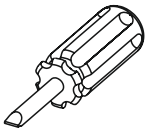
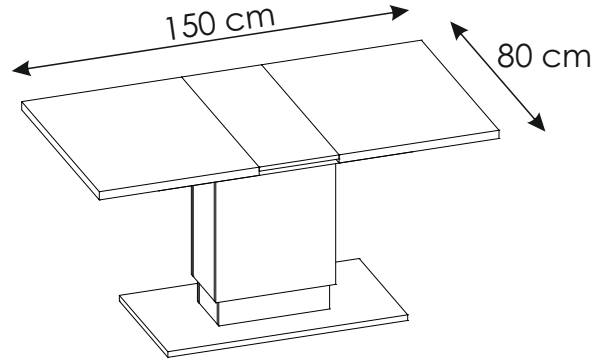
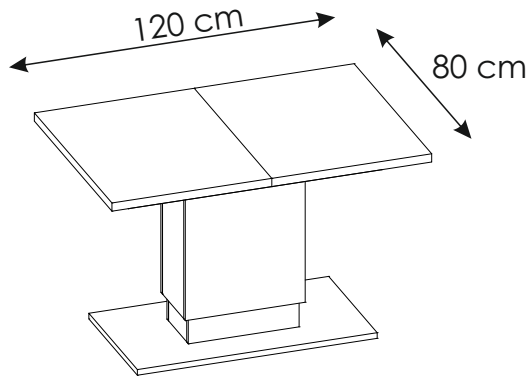
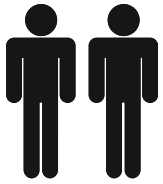
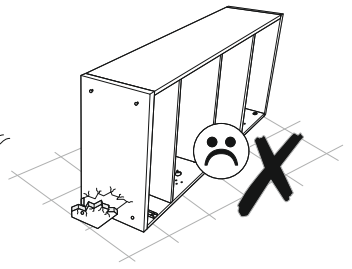
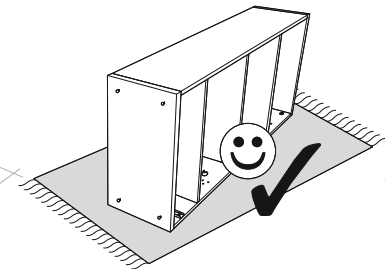
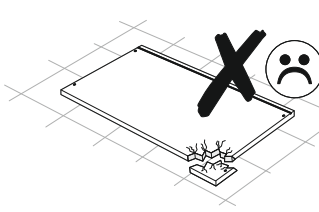
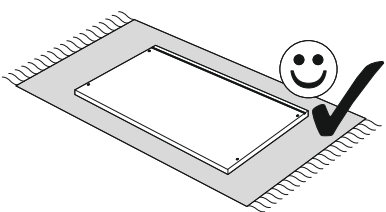
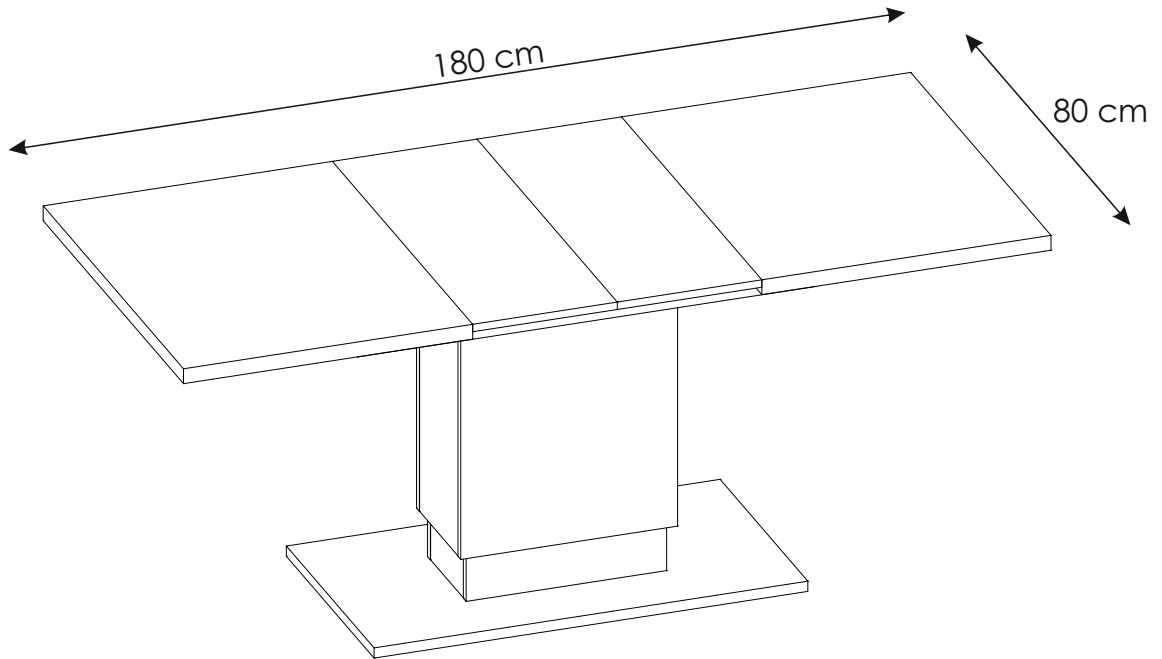
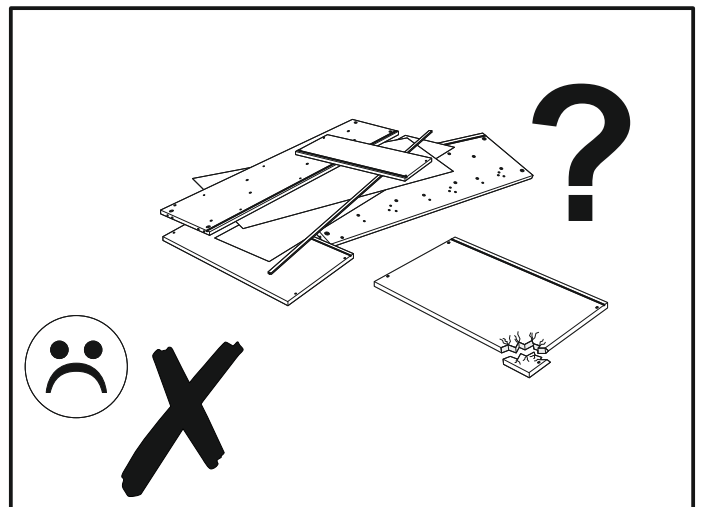
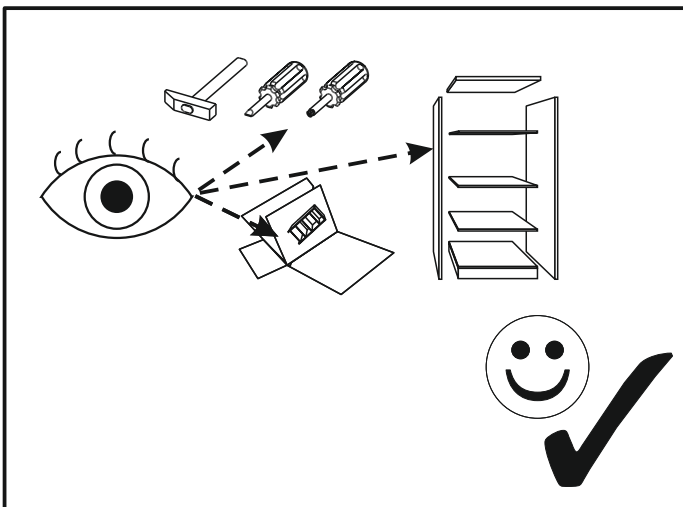
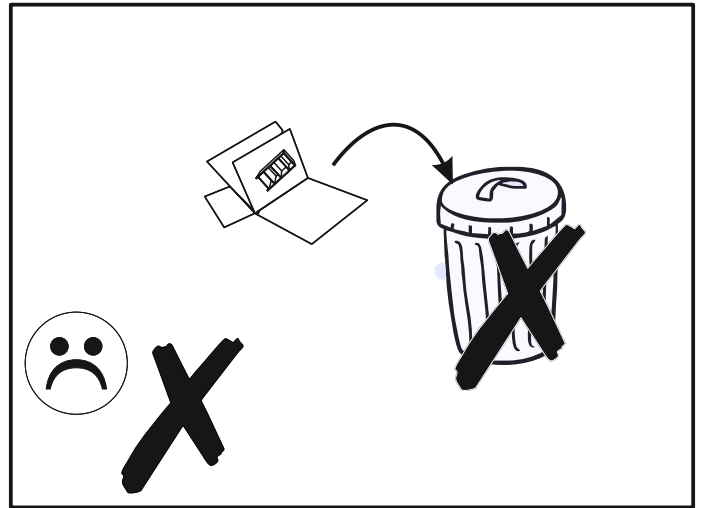
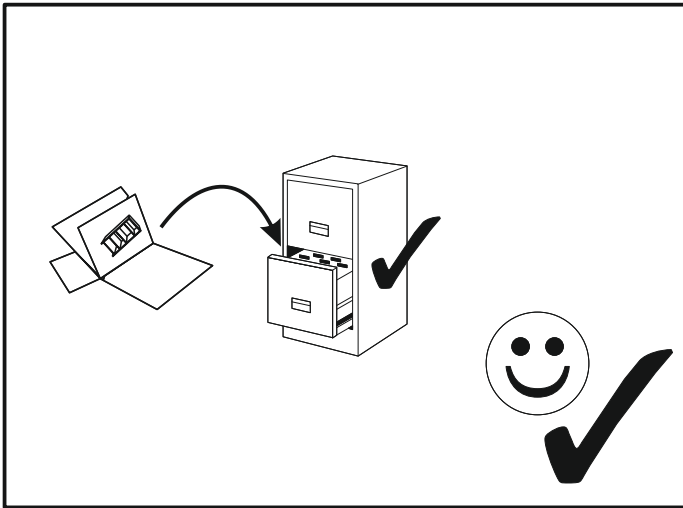
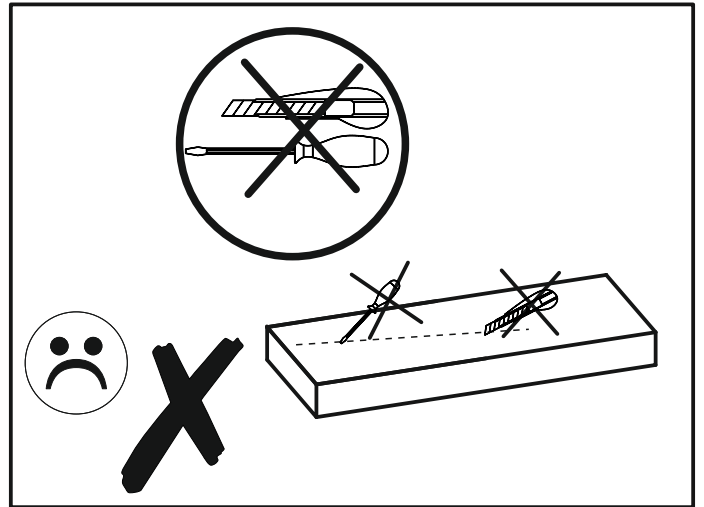
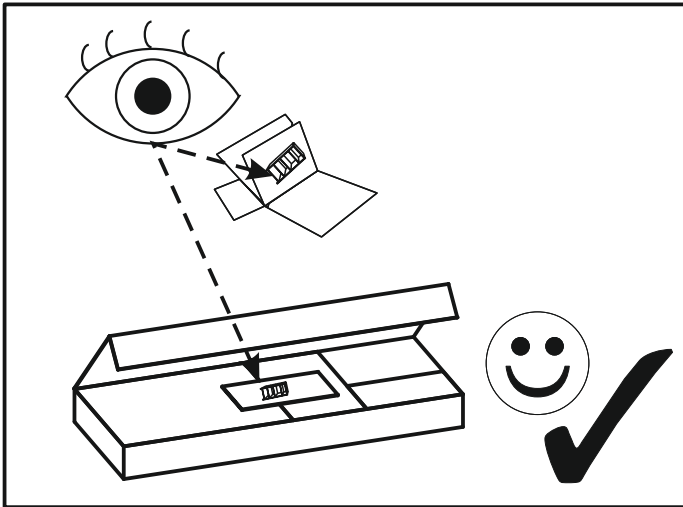


084-8813-23012023

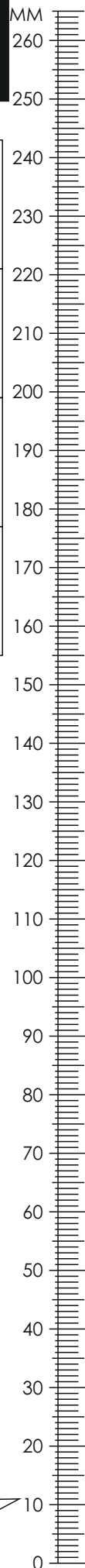





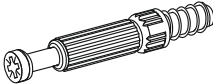
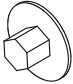
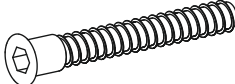


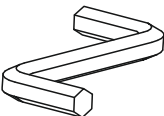

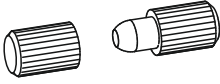
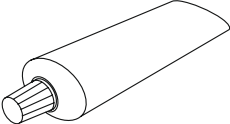
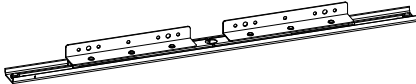
76,2 cm

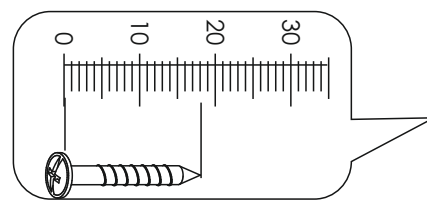


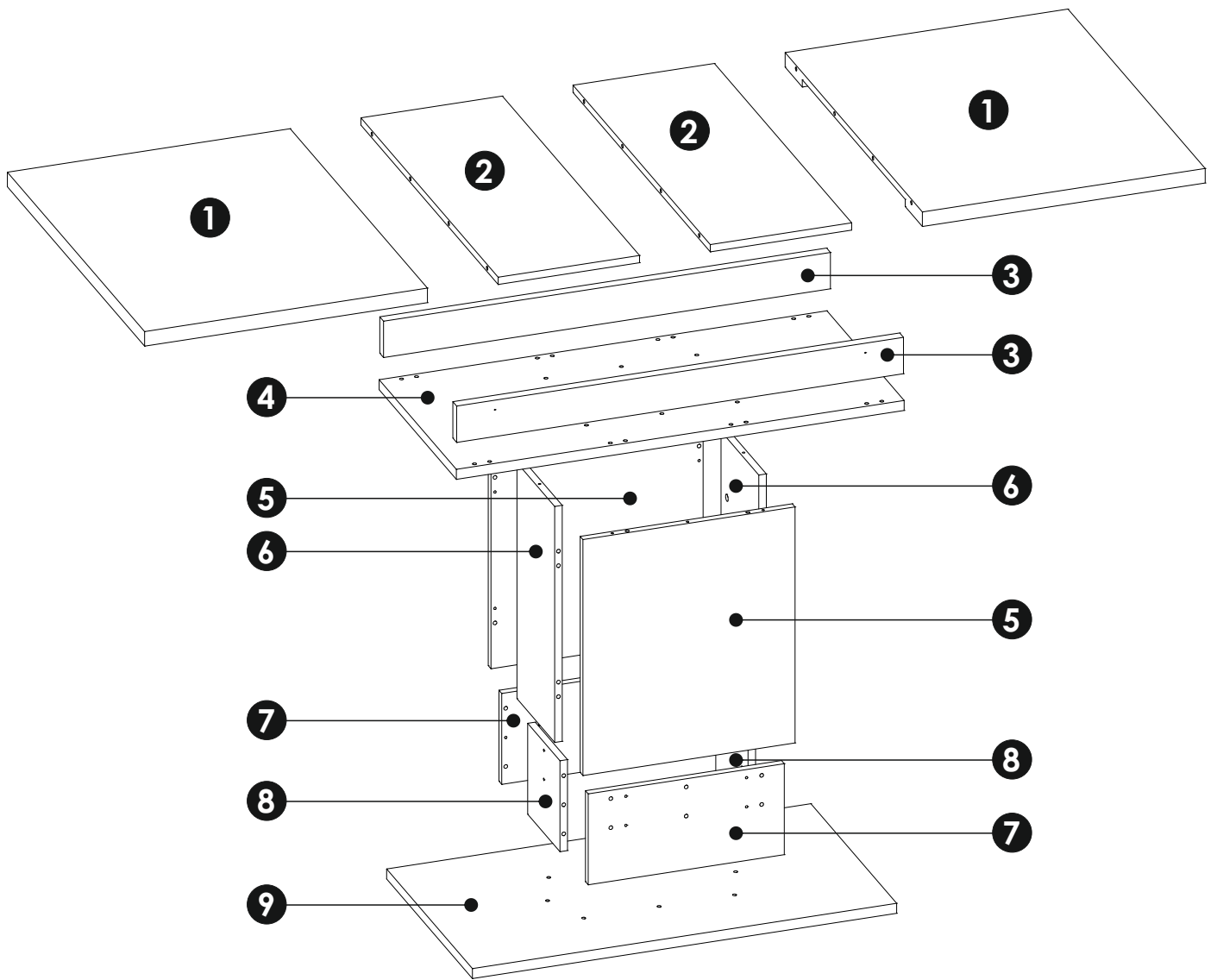
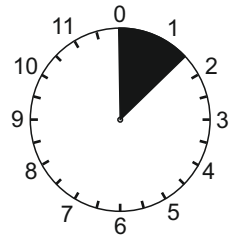
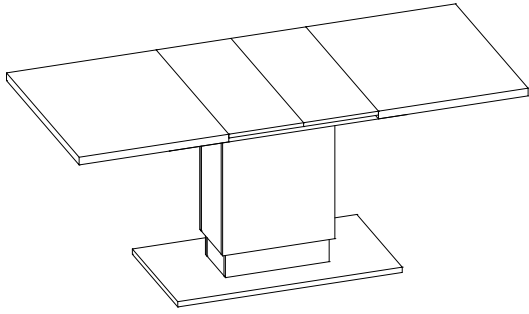


LORENA



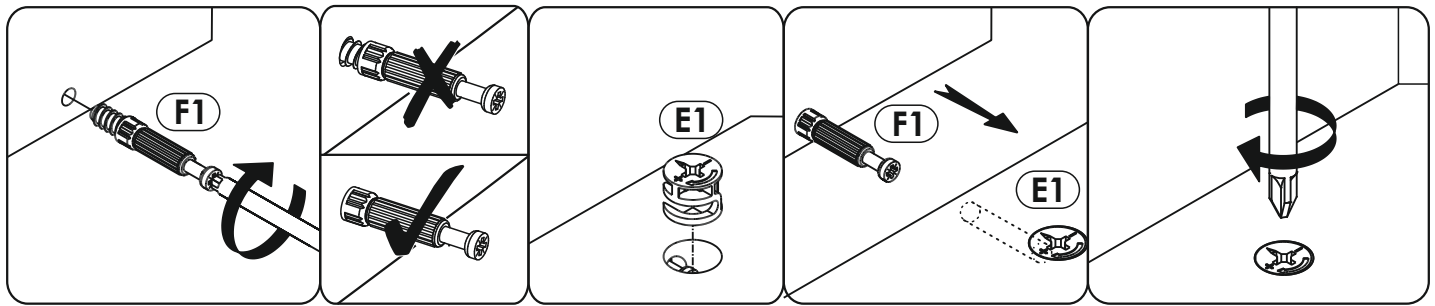
(A1) 8 x 35 mm x30 	(A5) 8 x 20 mm x12 	(E1) 15 x 12 mm x12 
(F1) 6 x 34 mm x12 	(G0) x16 	(G2) 7 x 60 mm x22 
(I2) 4 x 16 mm x44 		(I11) 4 x 27 mm x12 
(M) x1 	(O2A) ø20 x18 	(R8) x12 
(S) x1 	(T11) x2 	



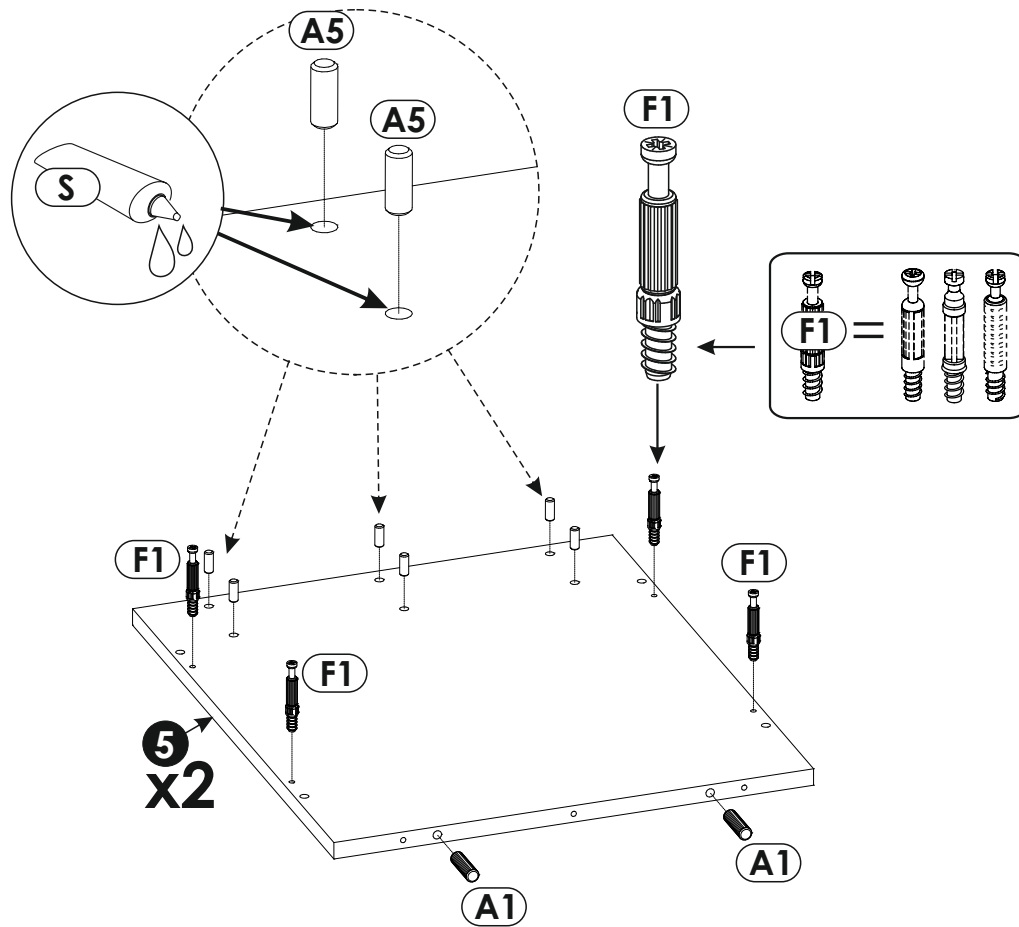


1	600	800	32	x2	2/2
2	300	800	16	x2	2/2
3	948	80	22	x2	1/2
4	950	450	22	x1	1/2

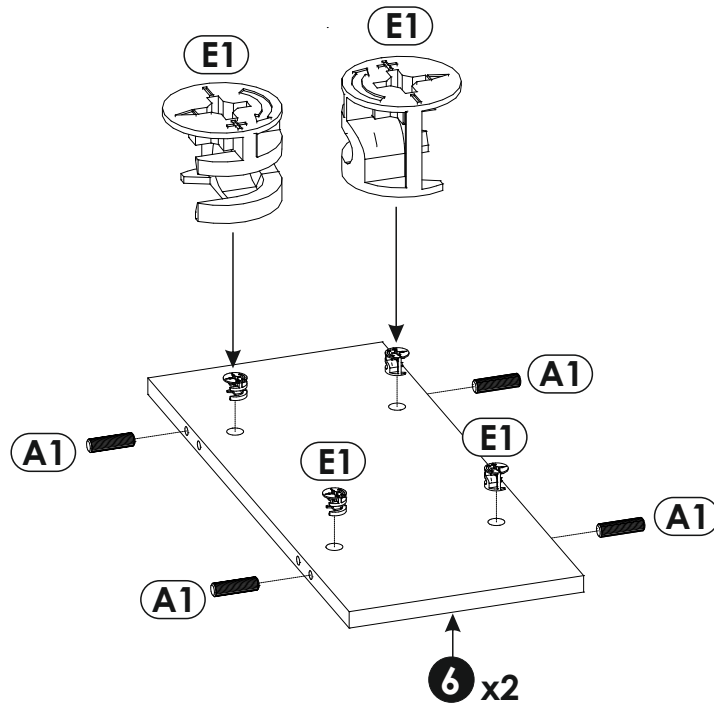
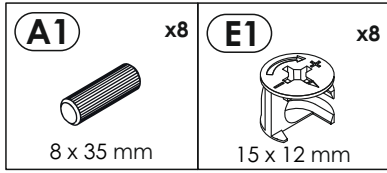
5	519	450	16	x2	2/2
6	519	220	16	x2	1/2
7	416	200	16	x2	1/2
8	200	188	16	x2	1/2
9	900	500	22	x1	1/2



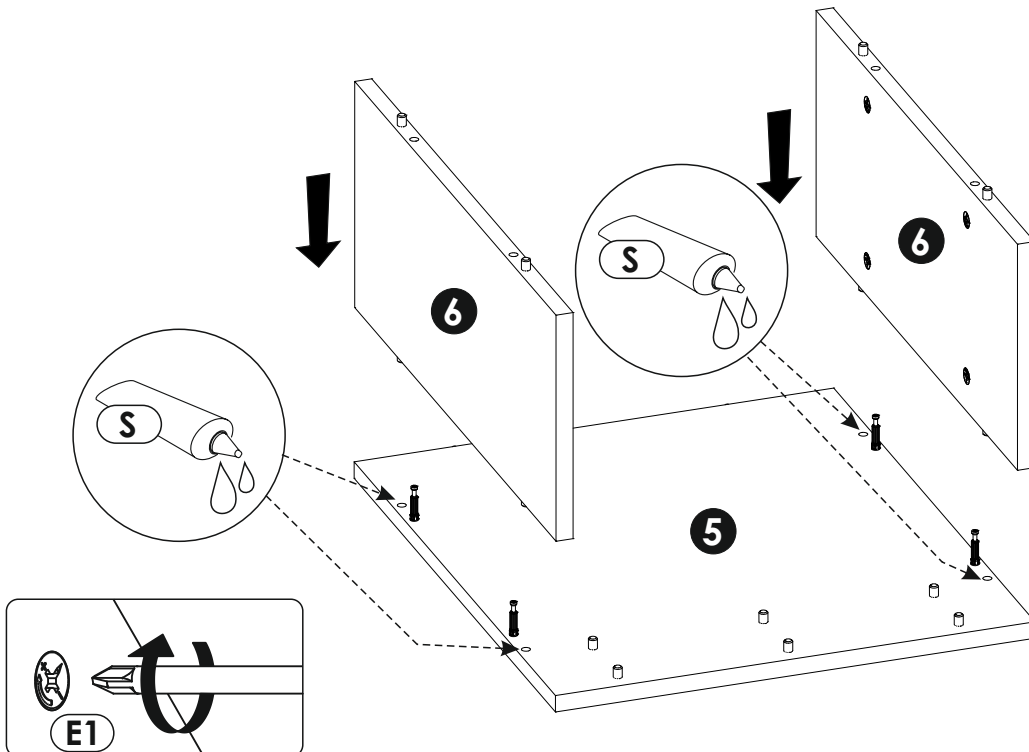
A1	x4	A5	x12	F1	x8	S	x1
8 x 35 mm		8 x 20 mm		6 x 34 mm			



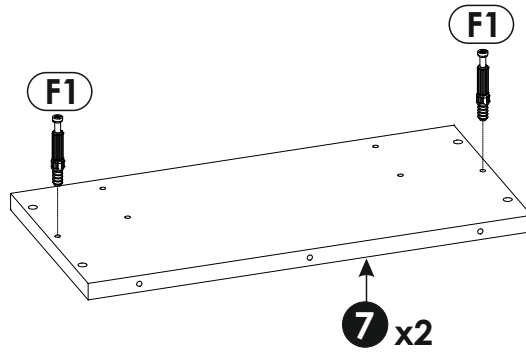
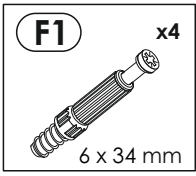
2 ▶



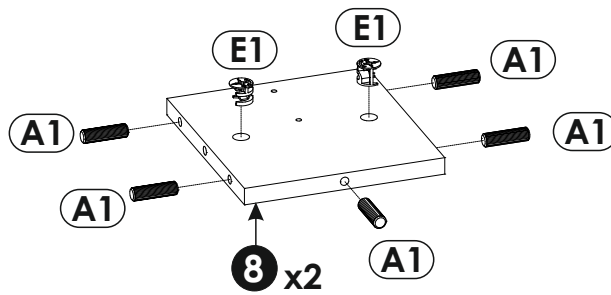
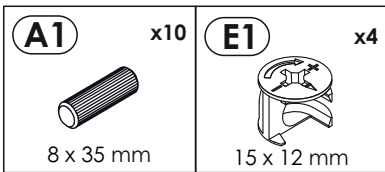
3 ▶



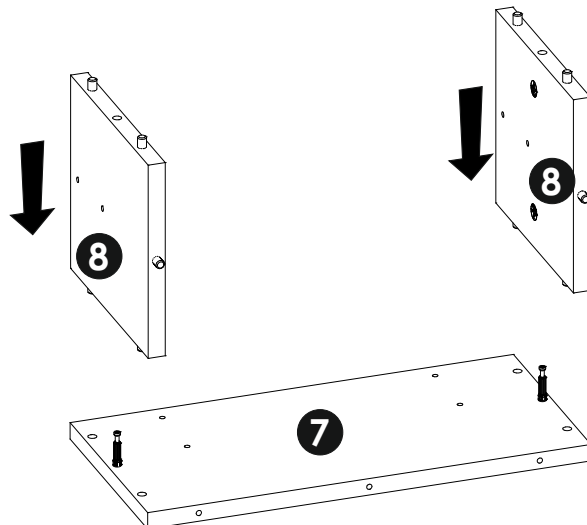
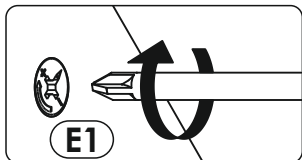
4 ▶



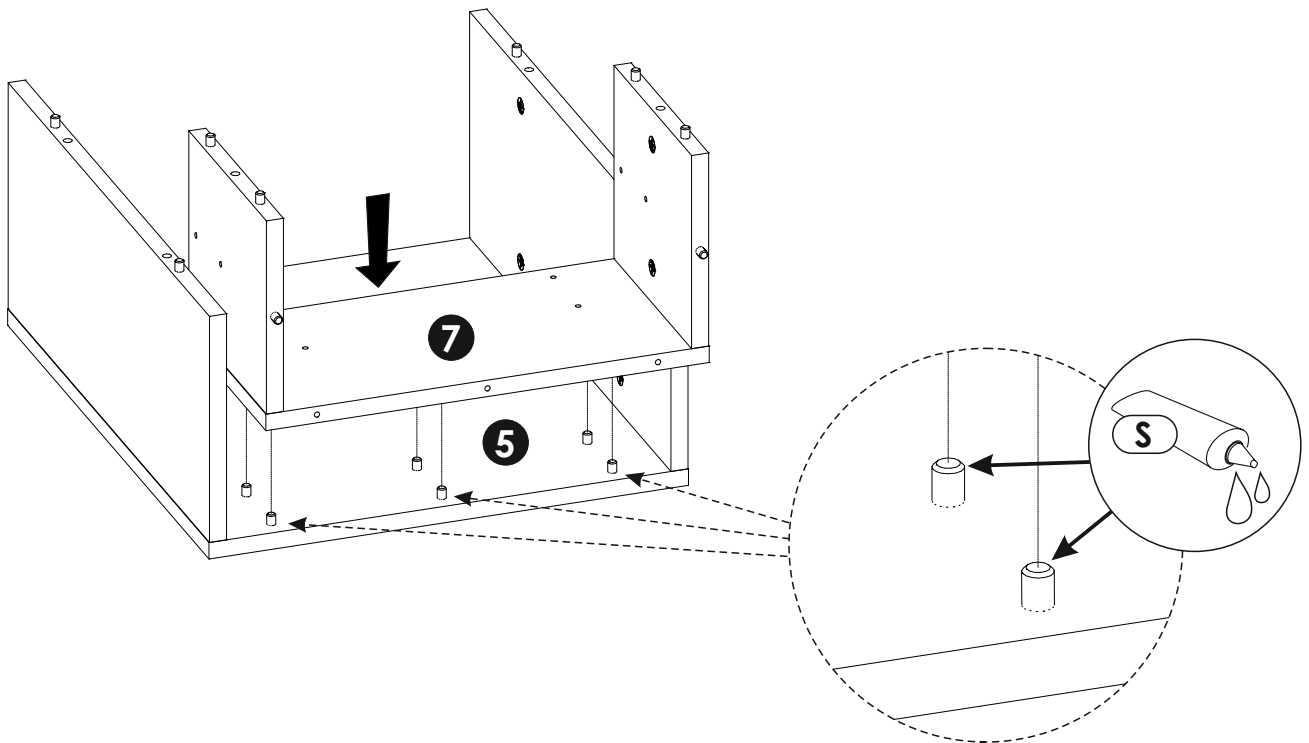
5 ▶



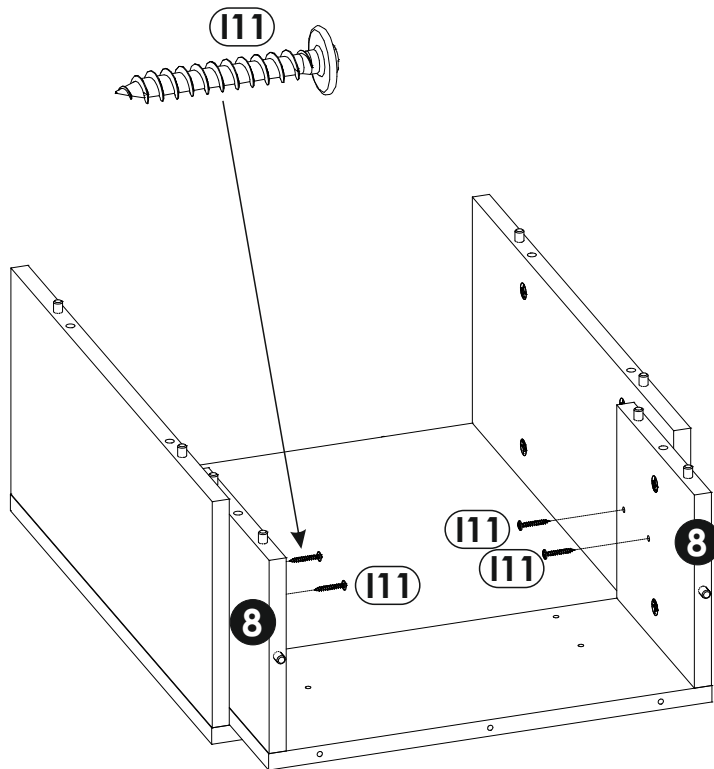
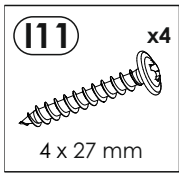
6 ▶



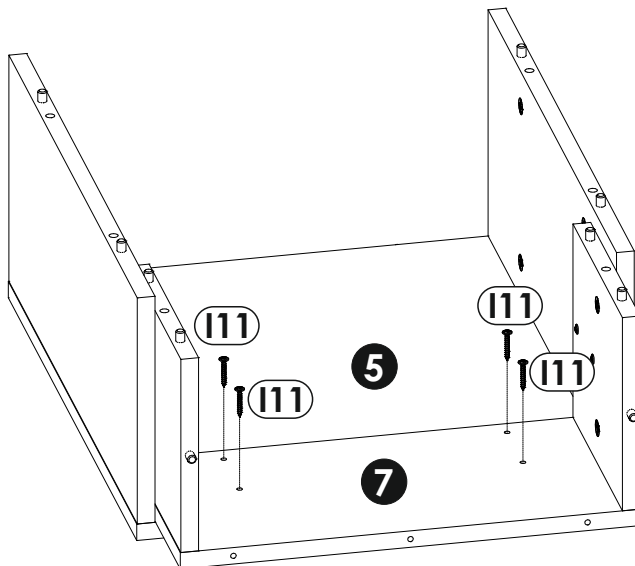
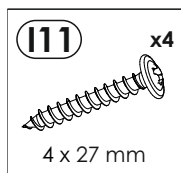
7 ▶



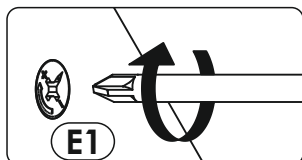
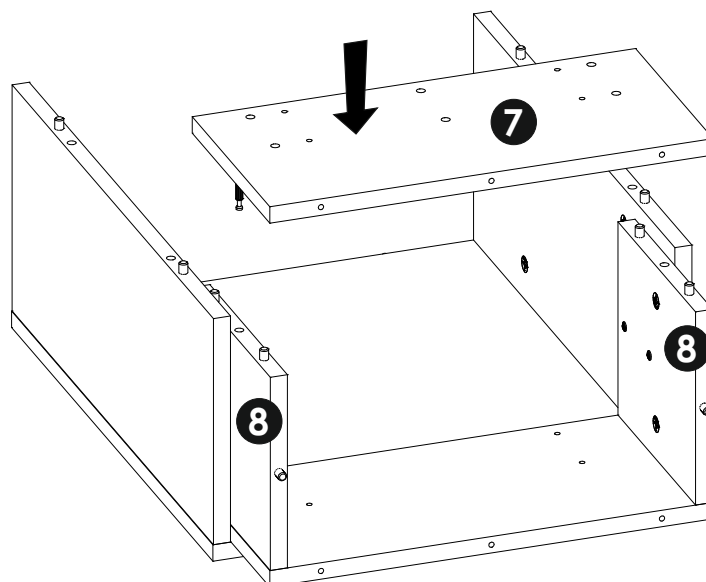
8 ▶



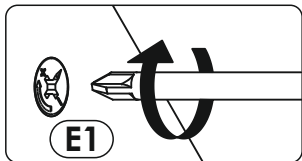
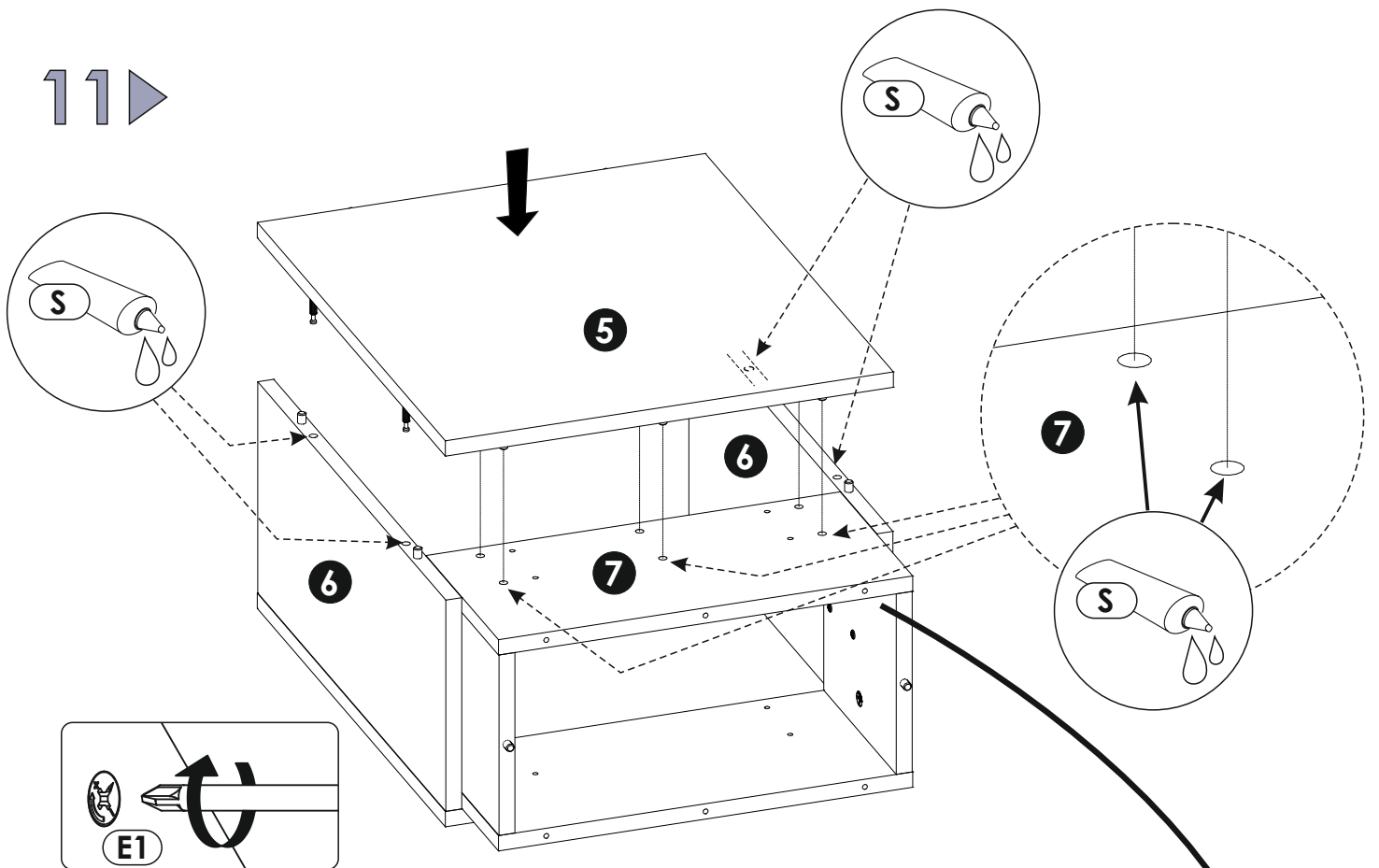
9 ▶



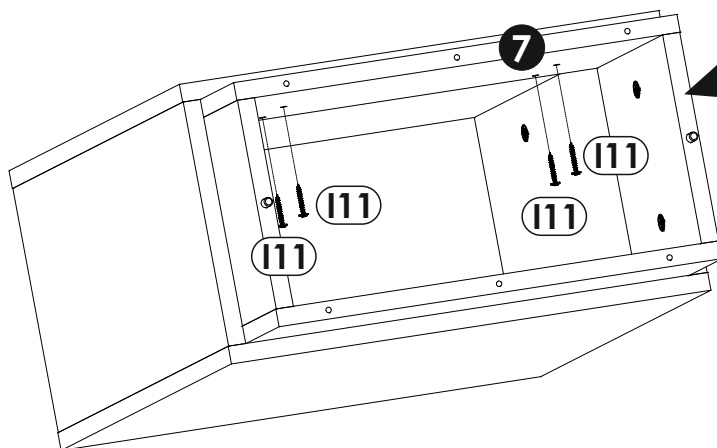
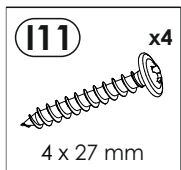
10 ▶



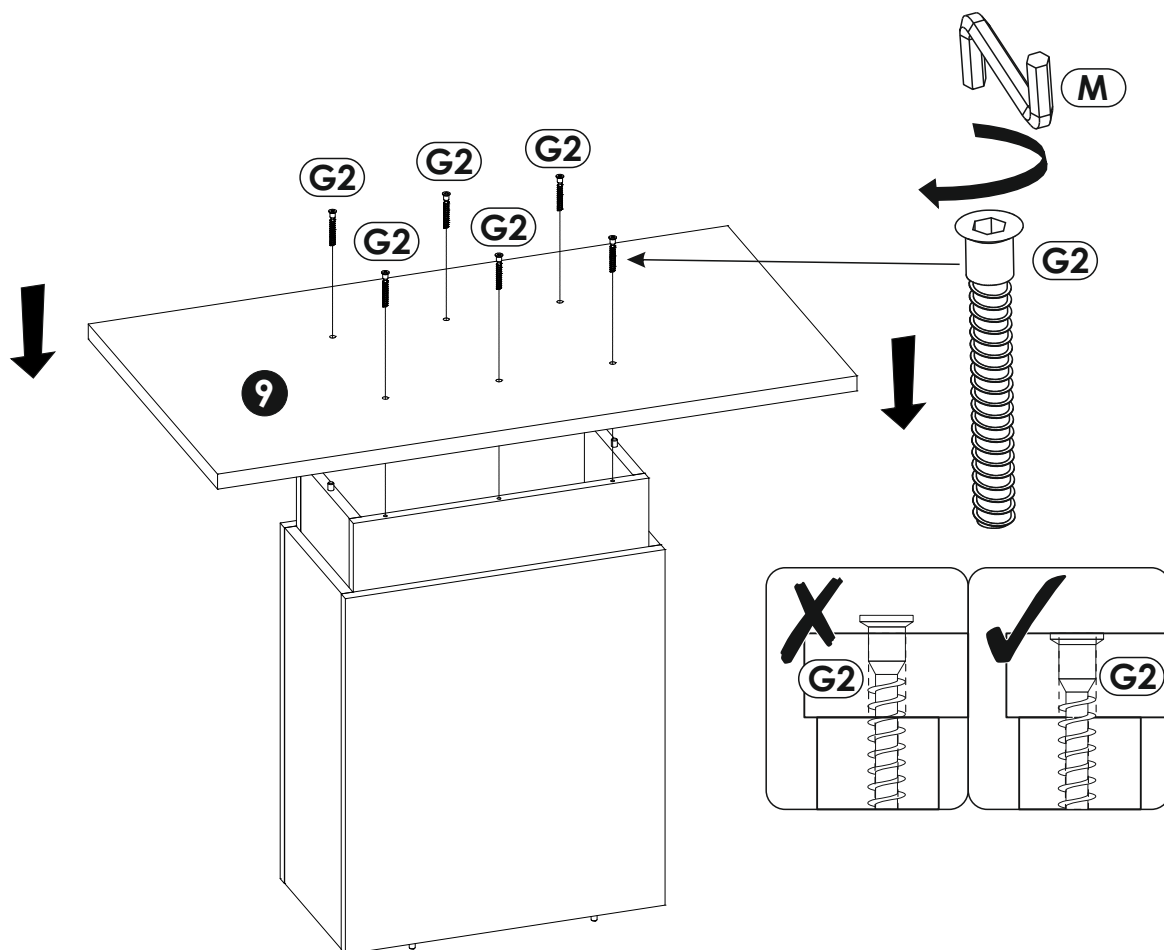
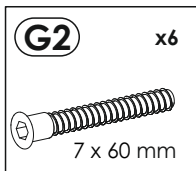
11 ▶



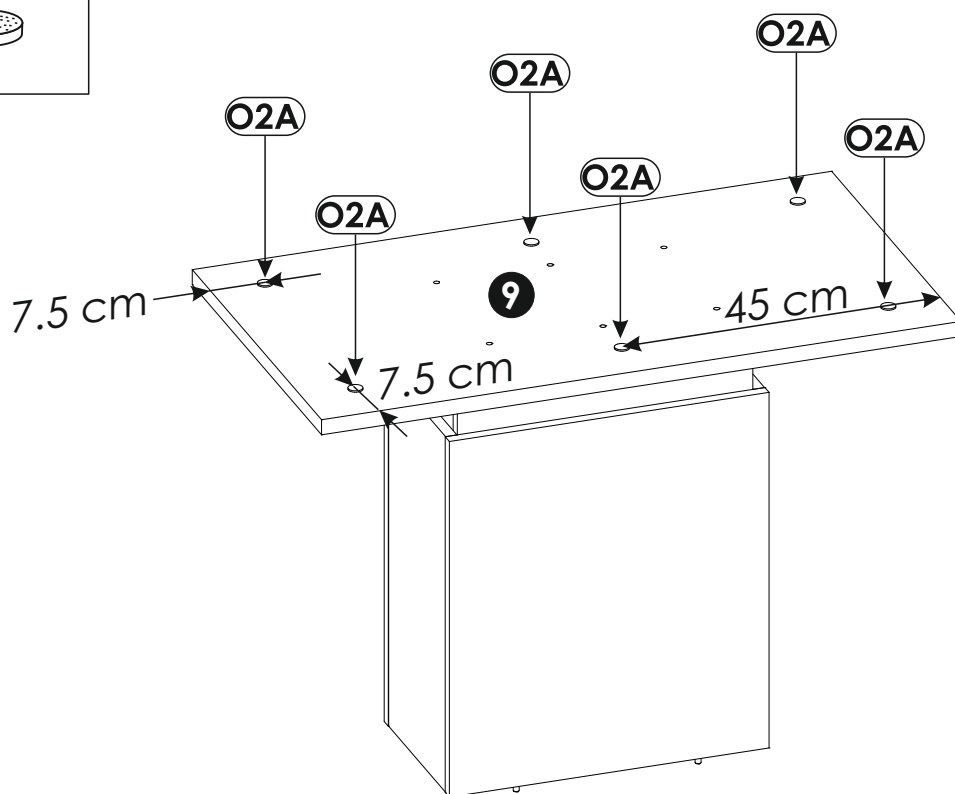
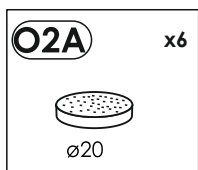
12 ▶

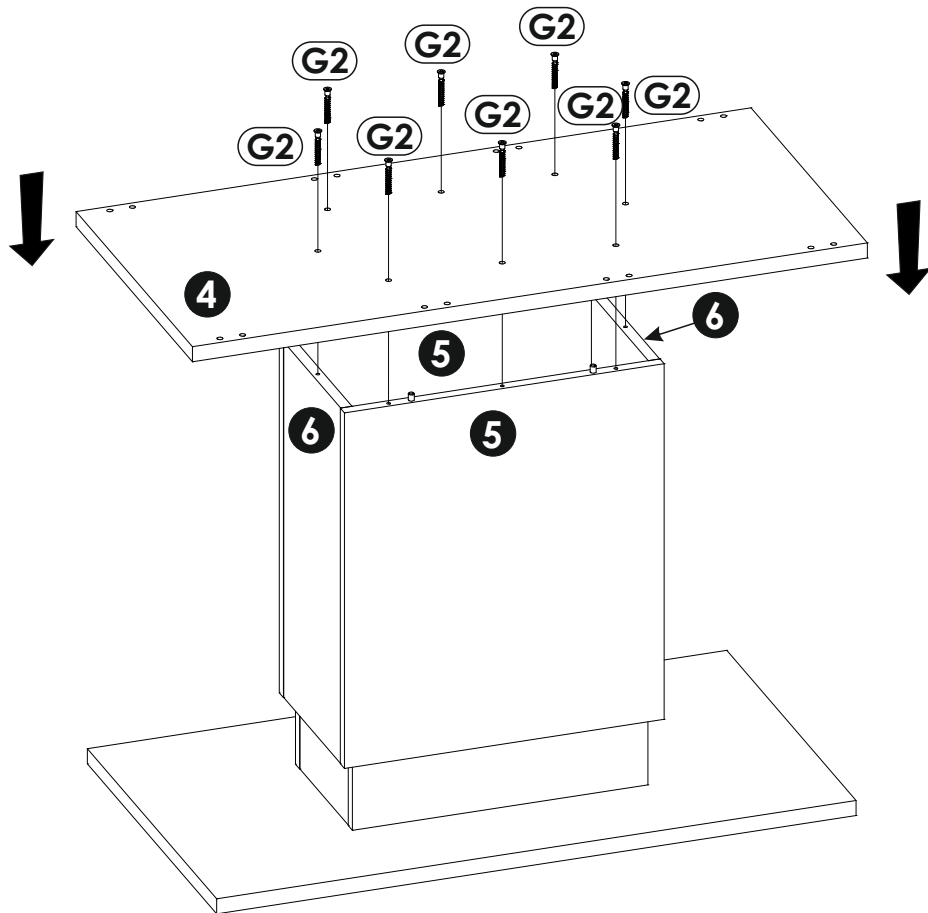
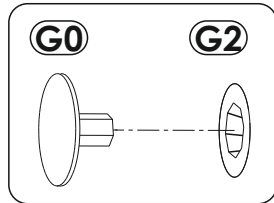
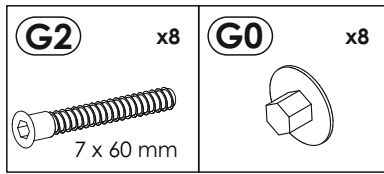


13▶



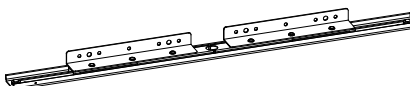



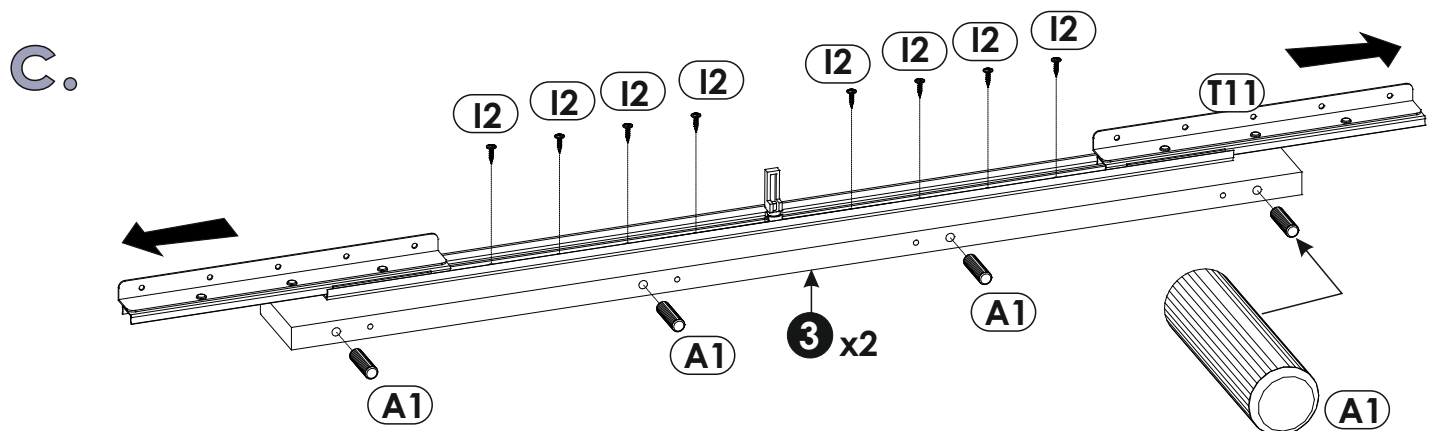
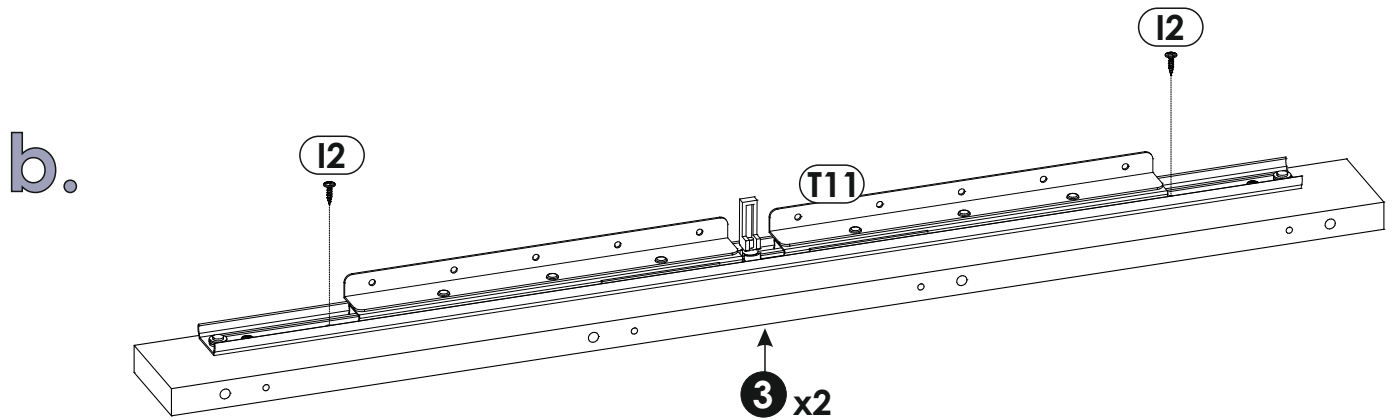
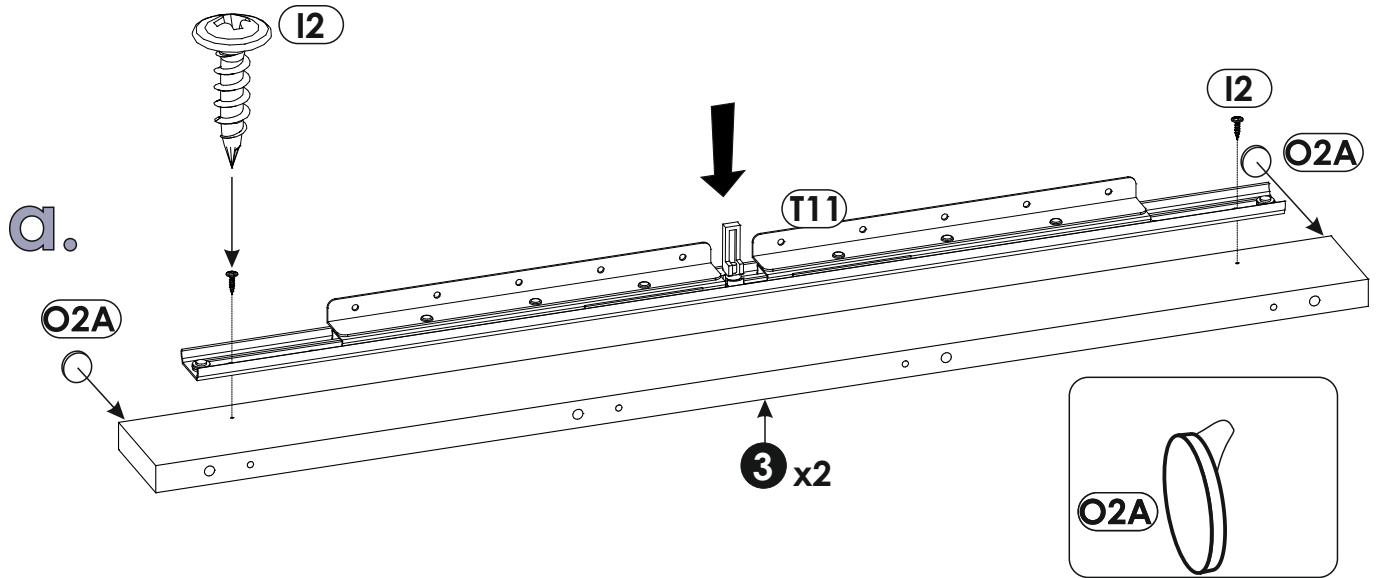
14▶



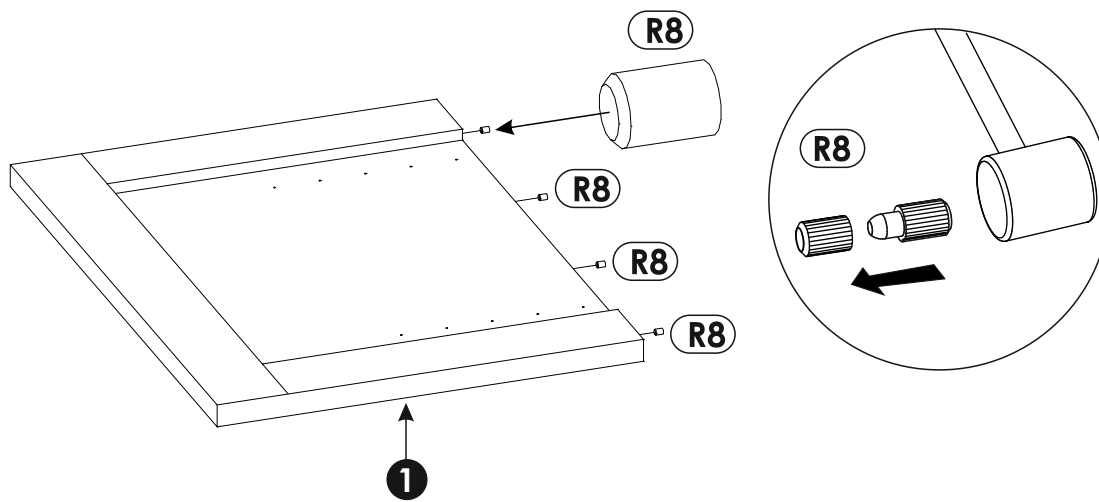
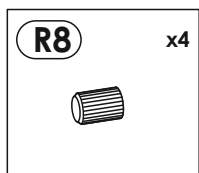


16 ▶

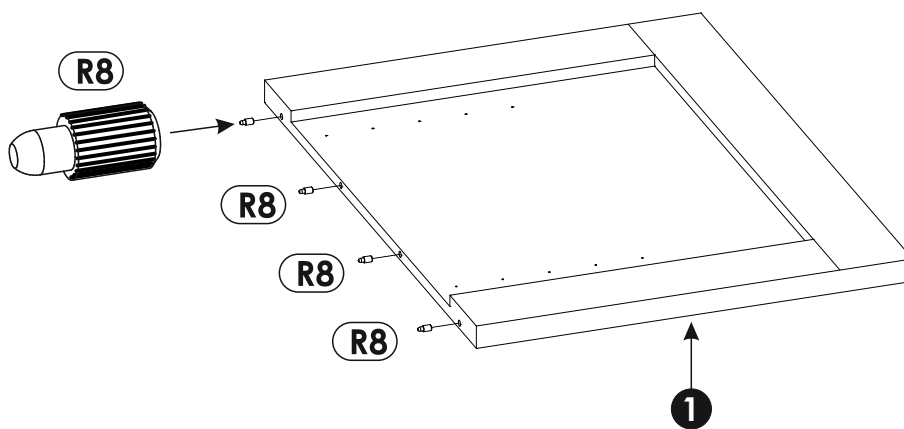
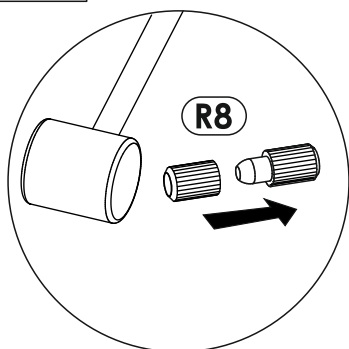
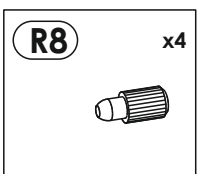
<p>A1 x8</p>  <p>8 x 35 mm</p>	<p>I2 x24</p>  <p>4 x 16 mm</p>	<p>T11 x2</p> 	<p>O2A x4</p>  <p>ø20</p>
--	---	---	---



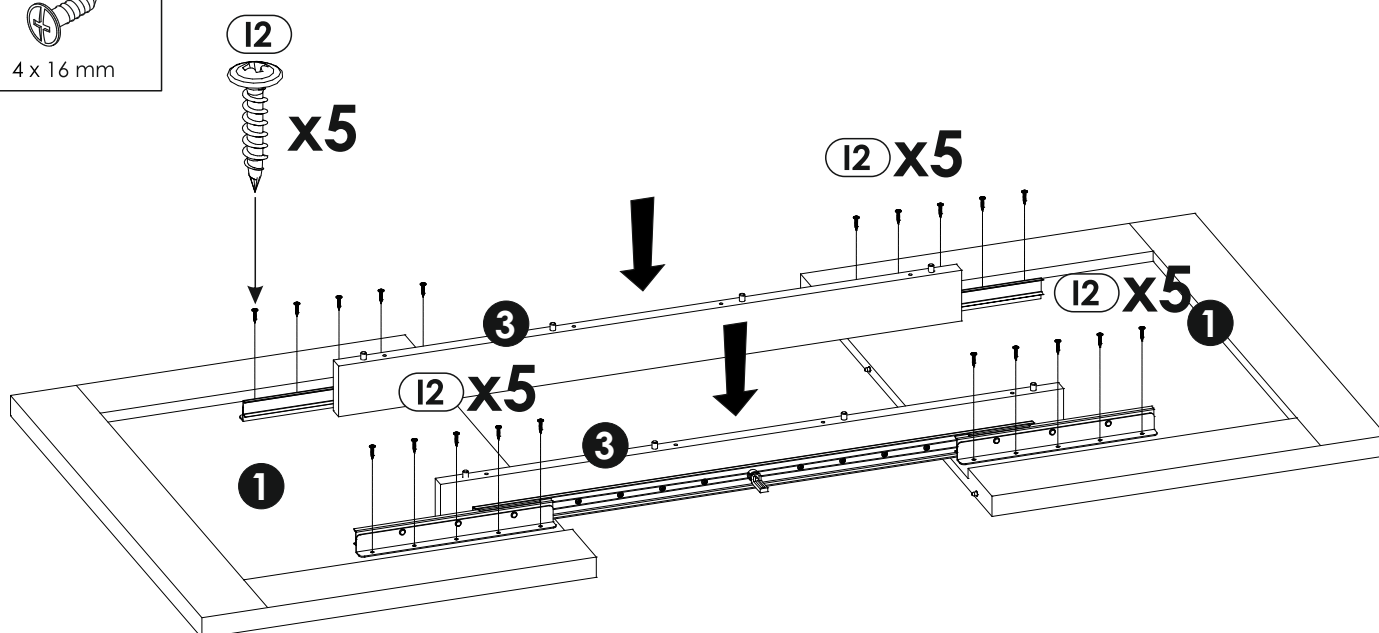
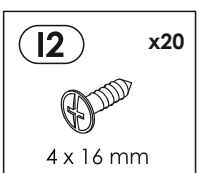
17▶



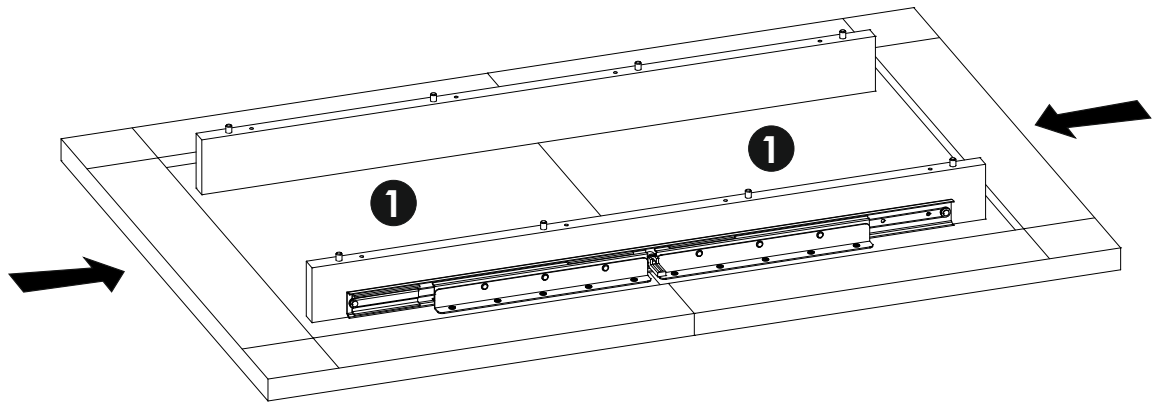
18▶



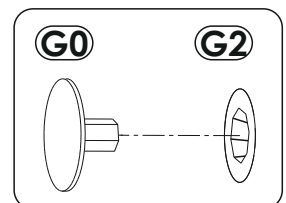
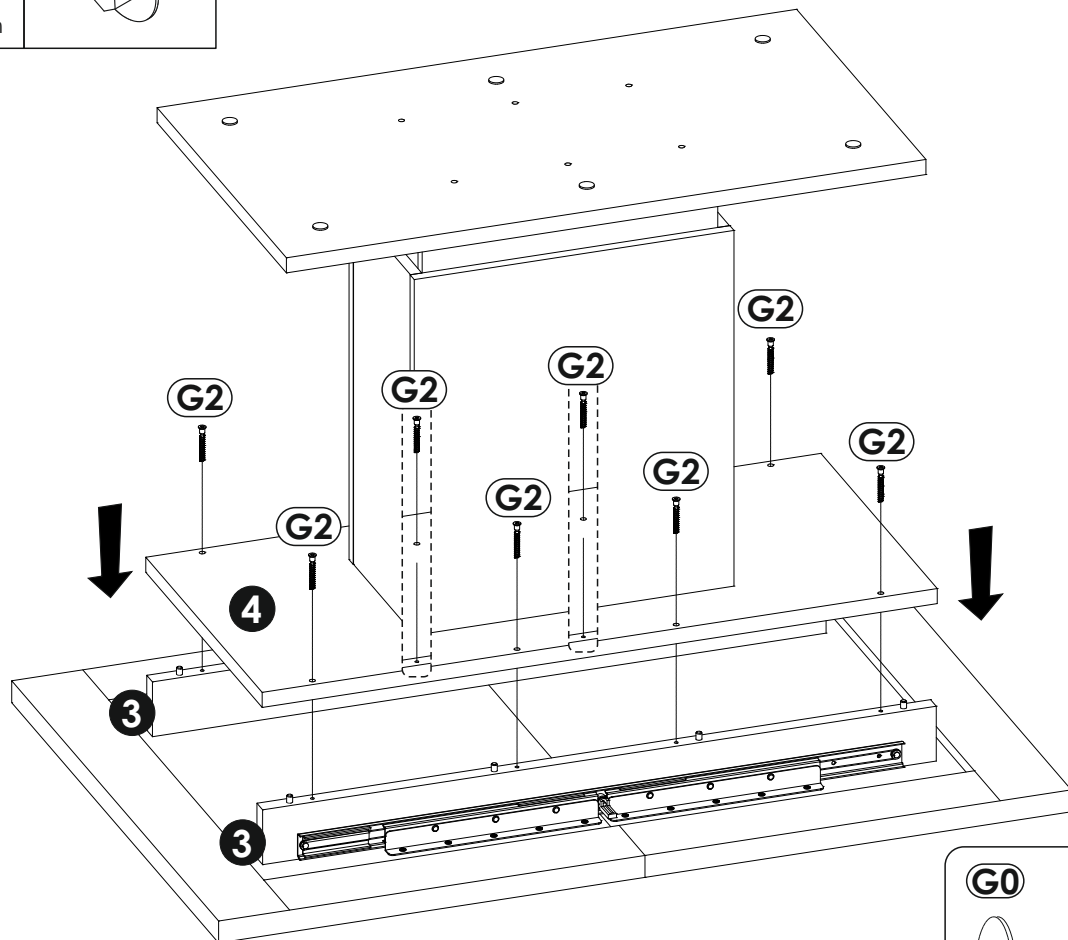
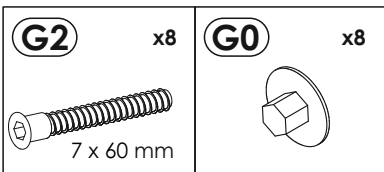
19▶



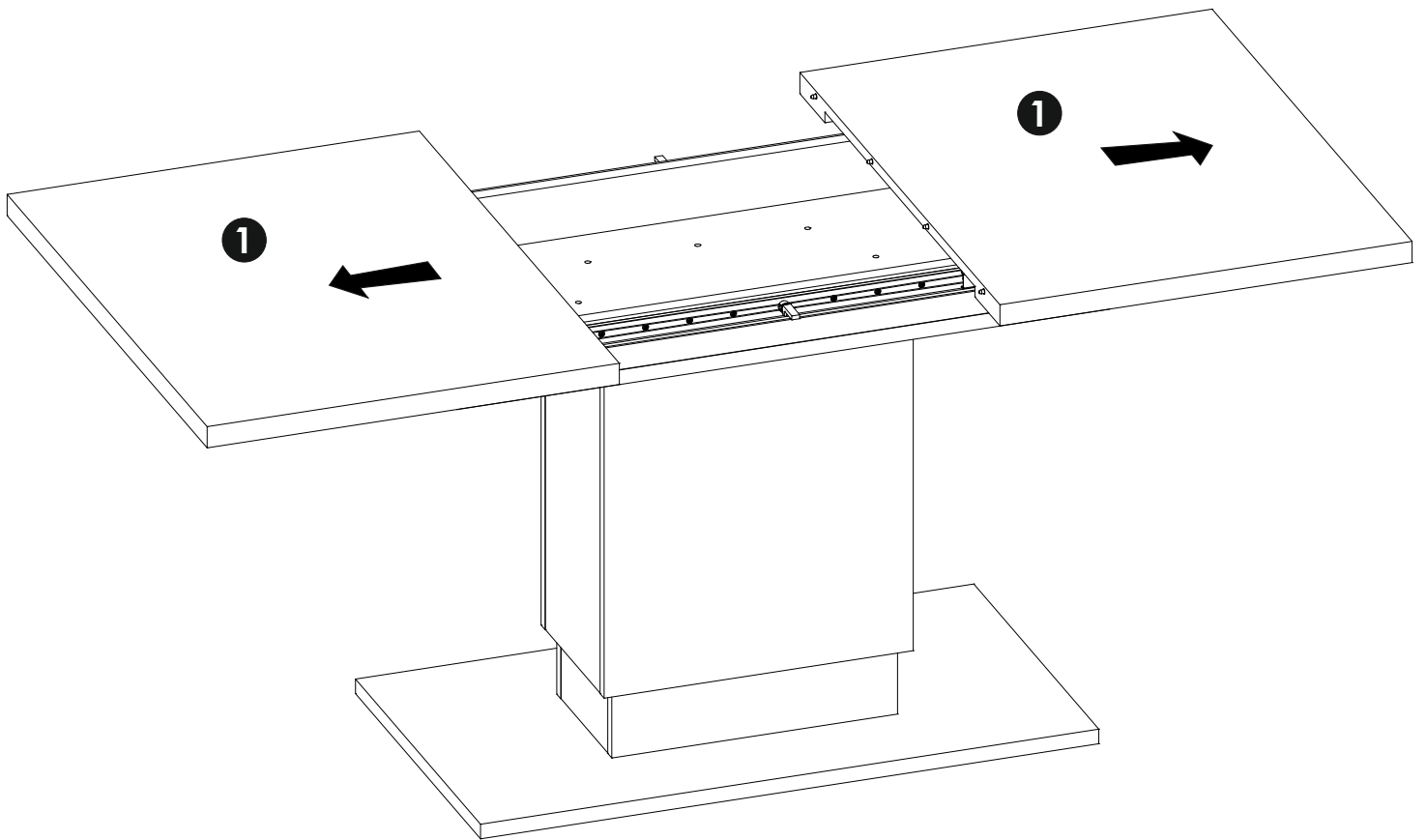
20 ▶






21 ▶

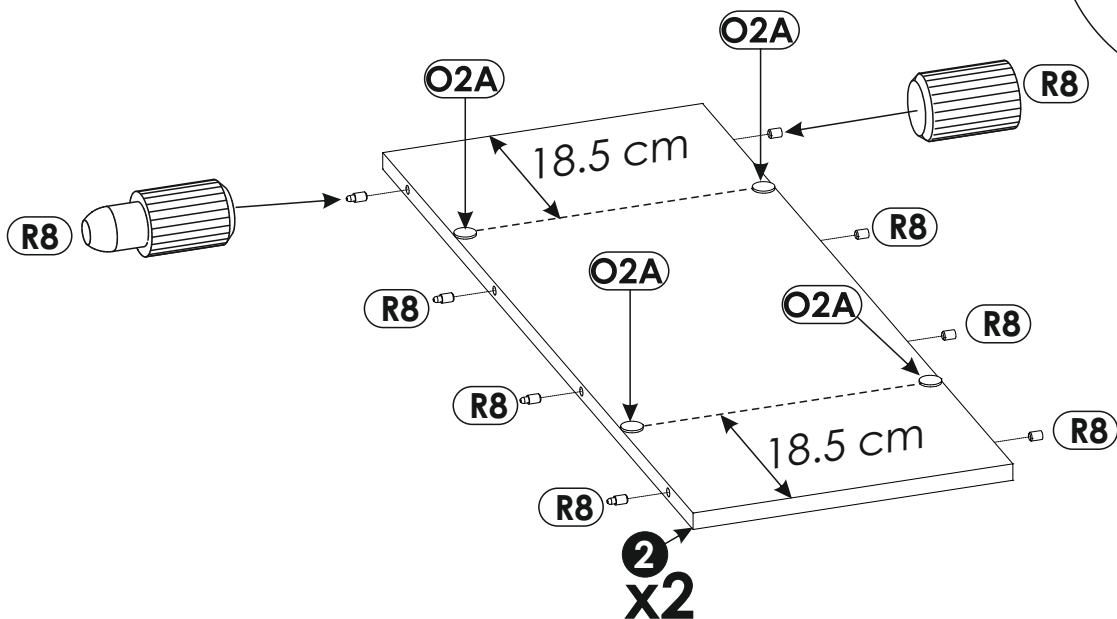
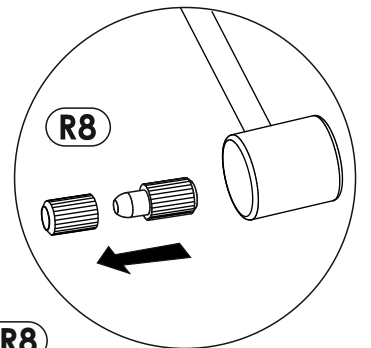


22 ▶

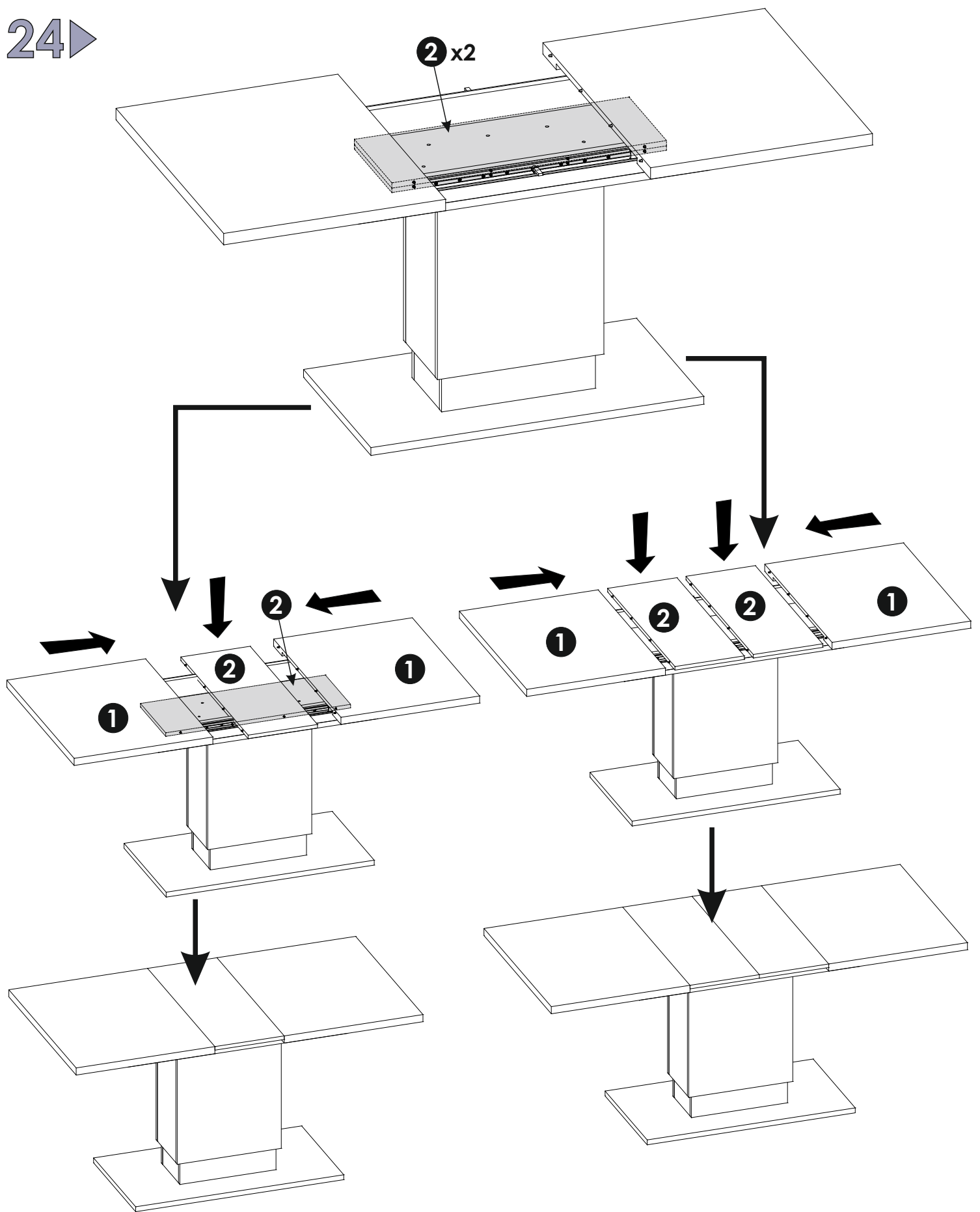


23 ▶

O2A x8	R8 x8	R8 x8
		
ø20		



24▶



25▶

