

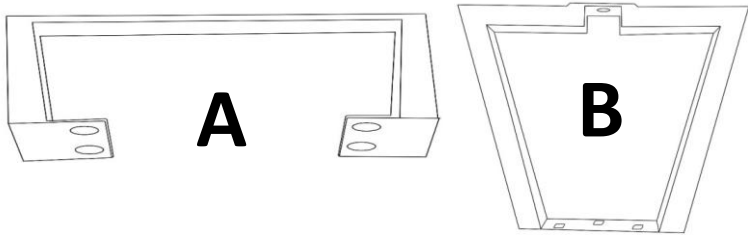
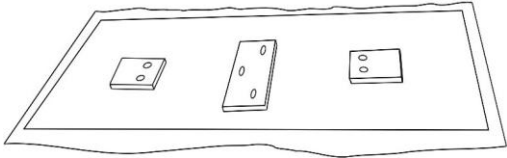


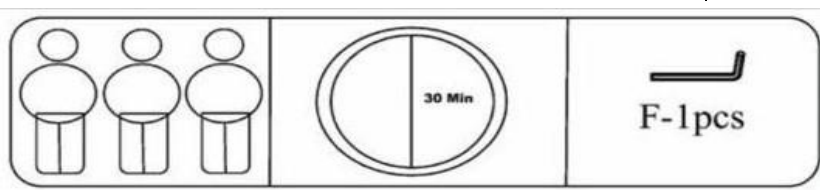
Item Code - 68476-100

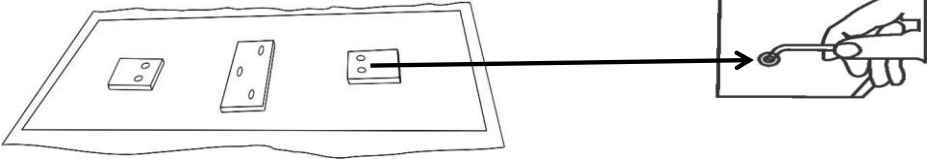
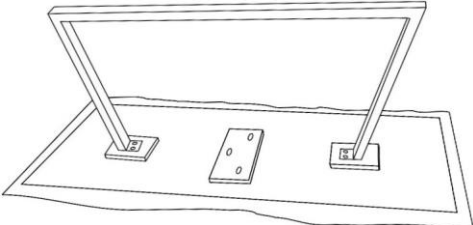
Assembly Instructions

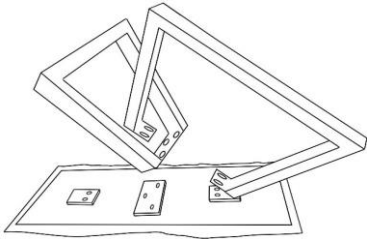
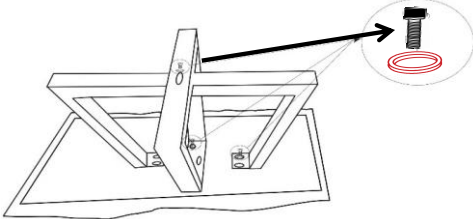
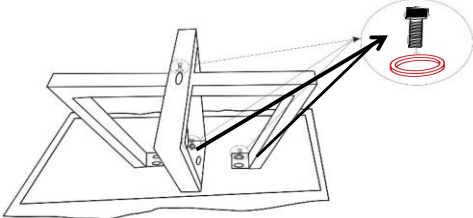
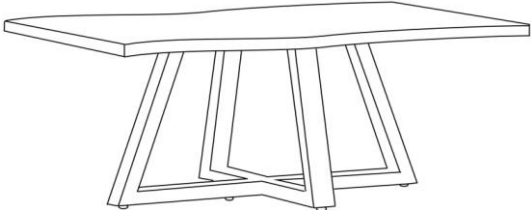
Thank you for purchasing this quality product. Be sure to check all packing material carefully for small parts, which may have come loose inside the carton during shipment. Identify and count all parts and compare with the hardware and parts list below.

Part list

Label	Image	Description	Qty
A		Allen Wrench	1
B		Bolt & Washer	8+8
C		Iron Legs (A+B)	2
D		Table Top	1



Step-1		<p>Remove bolts from under side of the table top using allen wrench.</p>
Step-2		<p>Place leg A on the table top with the holes aligned. Please do not tighten bolts and fix the legs.</p>

<p>Step-3</p>	 <p>Lift leg A slightly upwards and slide leg B from underneath with the holes on the table top aligned.</p>
<p>Step-4</p>	 <p>Tighten the centre bolt on top of the legs to join leg A and leg B with the help of allen wrench.</p>
<p>Step-5</p>	 <p>Align holes of leg B with the under side of the table top using Allen wrench. Tighten all the bolts for leg A and leg B. Do not over Tighten.</p>
<p>Step-6</p>	 <p>Flip the table upright with the help of another person.</p>
<p>Assembly Completed</p>	