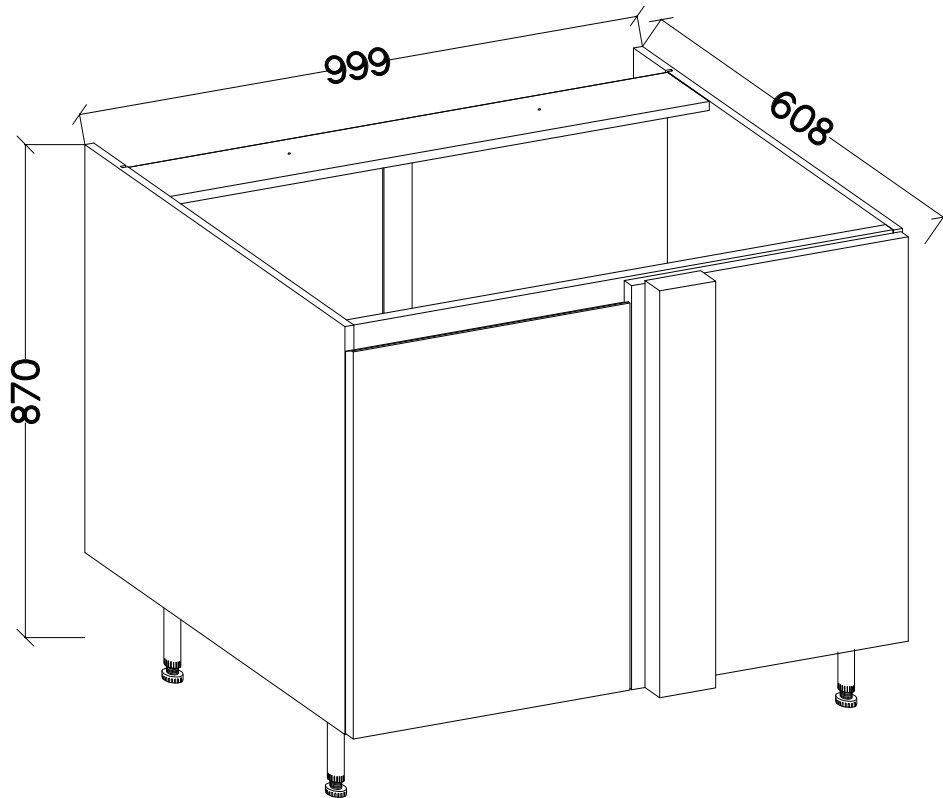
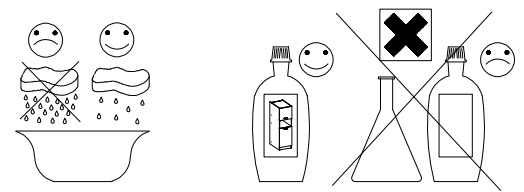
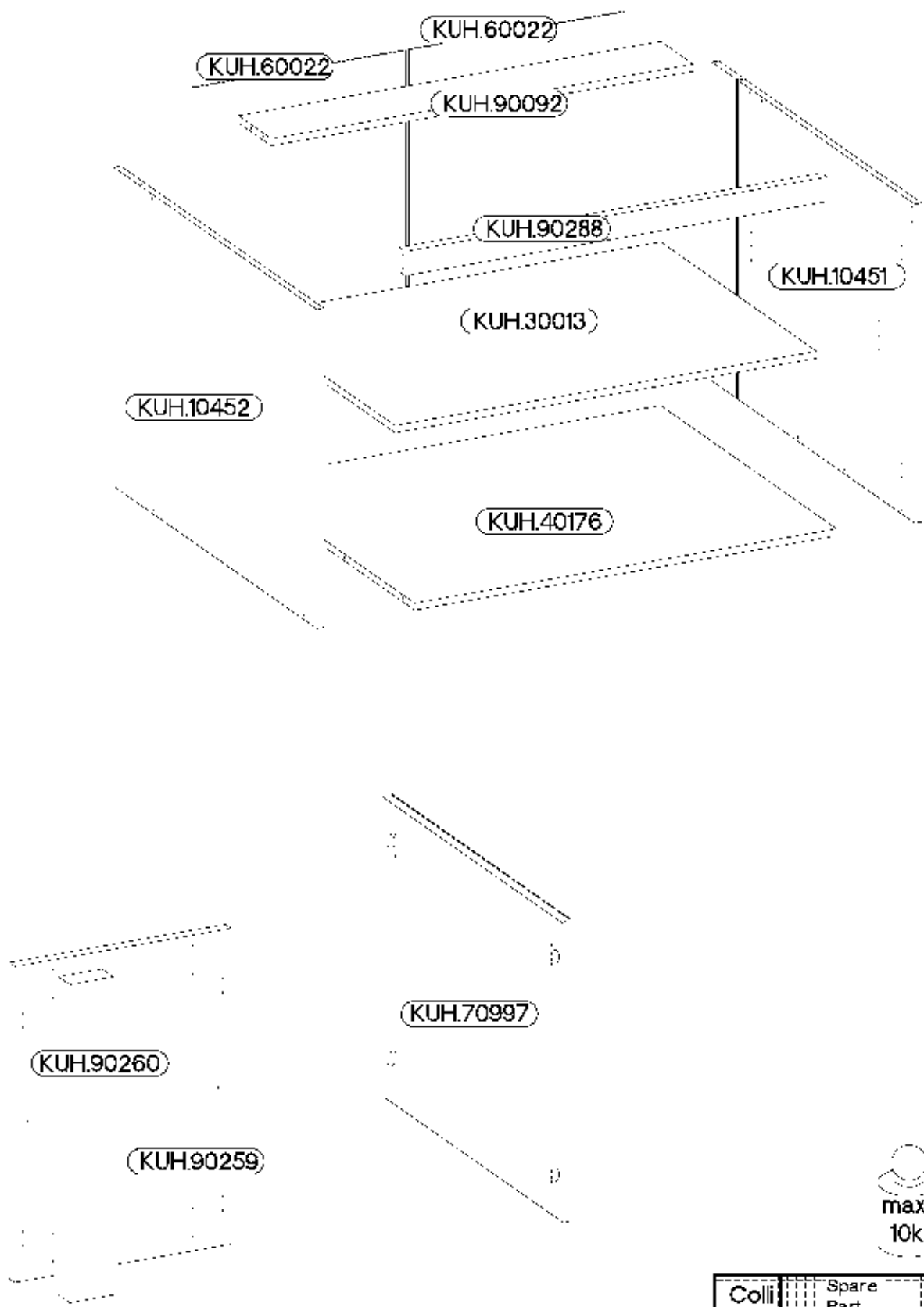


73-201-...  
ADANA  
ECK-US



+8x30mm  A 8	6,4 x 50mm  B 6	+15/12mm  C 2	L=20mm  D2 4	 E1 6	+35mm  E5 2	
L=135-170cm  F15 4	 F16 2	+35/90°  HG6 2	+5/16mm  J3 4	L=680mm  L1 1	+4.0x16mm  O 1	 P1 6
+3.5x13mm  P5 32	+3.0x20mm  P7 15-20	+4.0x30mm  P8 2	+4.0x25mm  P14 2	+4.0x35mm  R3 2	 T3 3	 T10 2

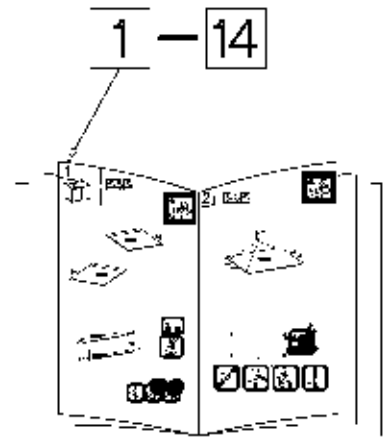
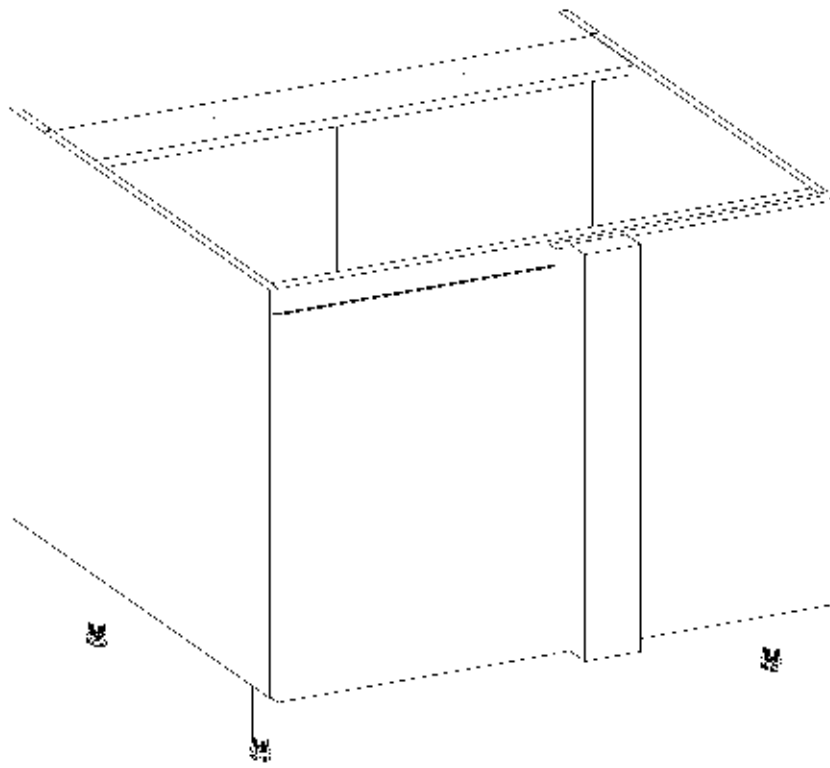
ISM-KUH-01726



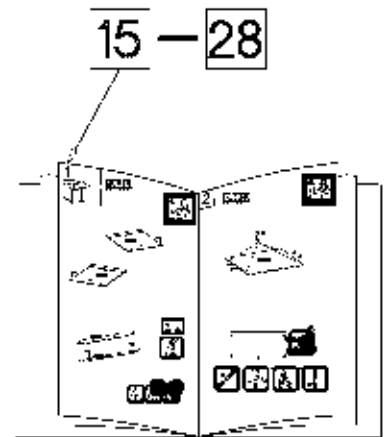
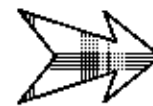
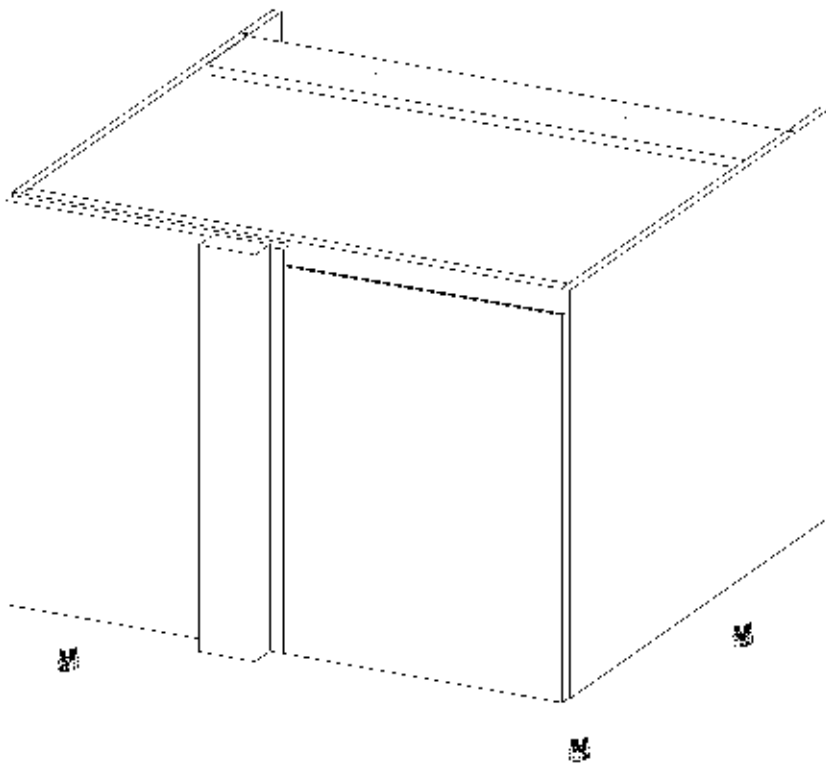
KUH.30013  
KUH.40176

Colli	Spare Part	Dimension
Colli 1/2	KUH.10451	720x560x16
	KUH.10452	720x560x16
	KUH.30013	966x430x16
	KUH.40176	967x485x16
	KUH.60022 x2	713x491x2,5
	KUH.70997	683x496x16
	KUH.90289	713x496x16
Colli 2/2	KUH.90290	718x100x32
	KUH.90092	967x90x16
	KUH.90288	967x55x16

# VARIANT






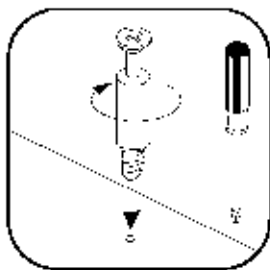
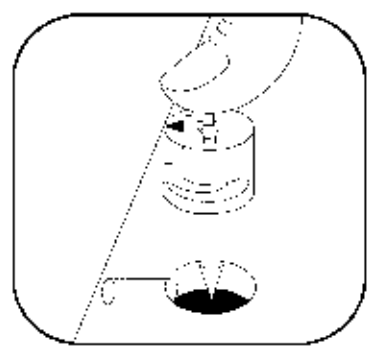
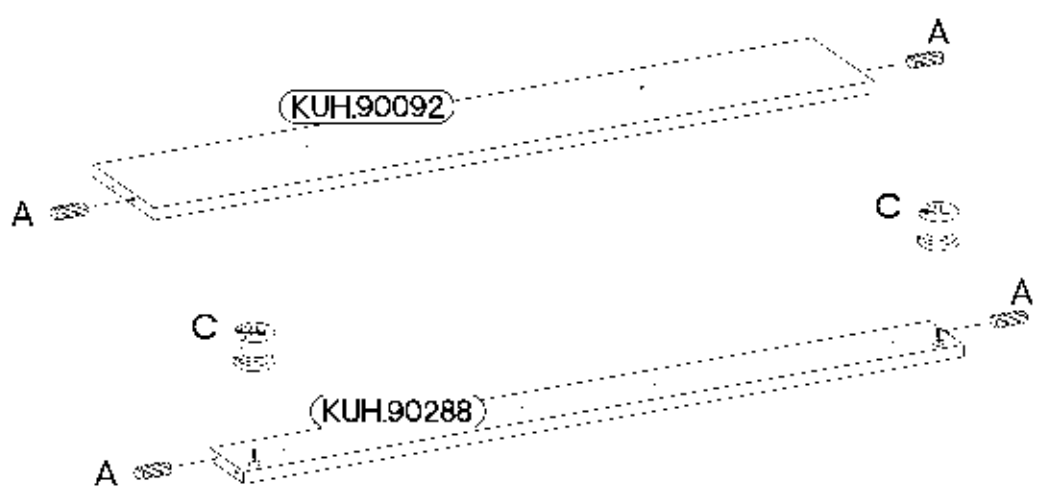
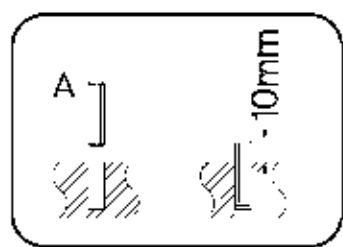
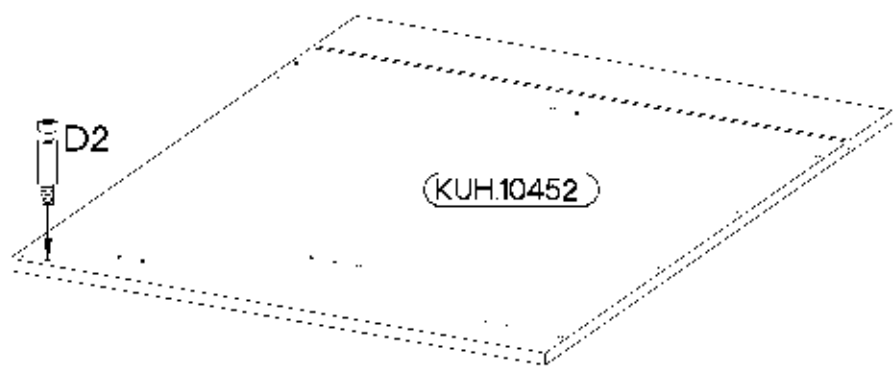
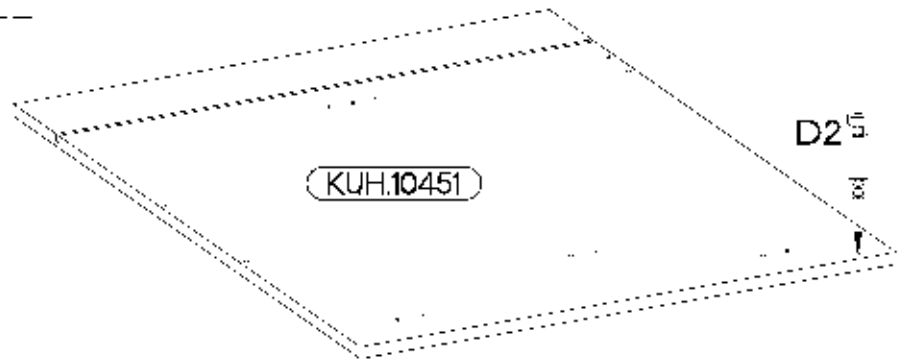
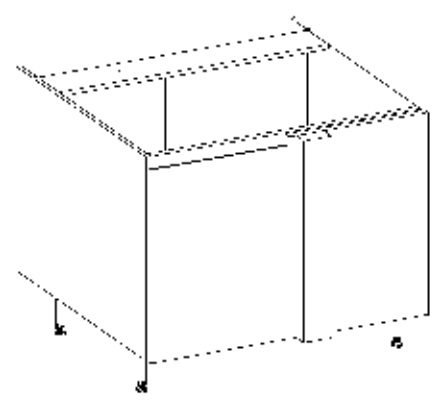
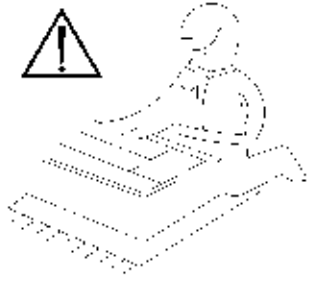
# VARIANT






# VARIAN

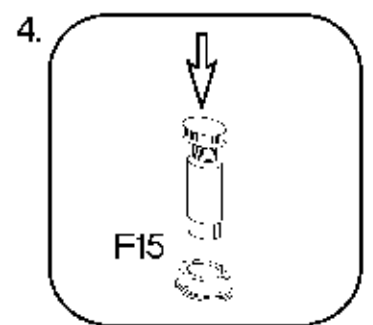
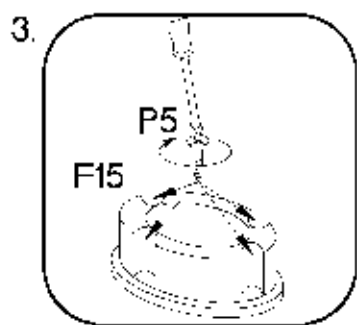
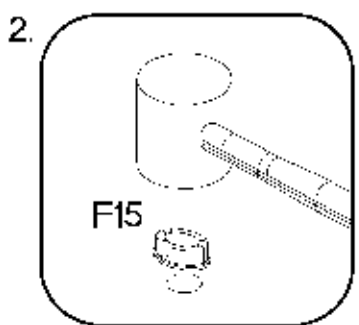
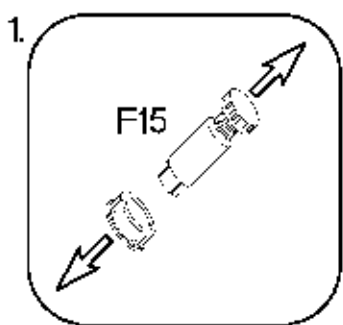
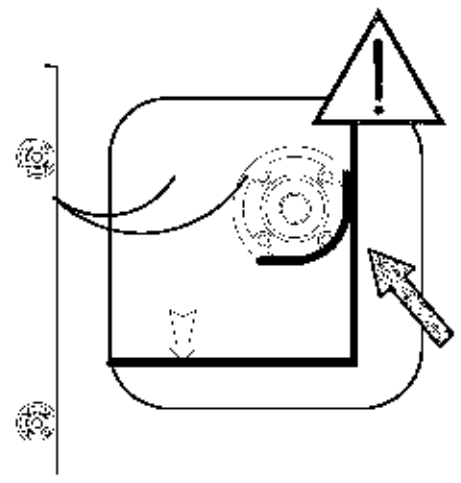
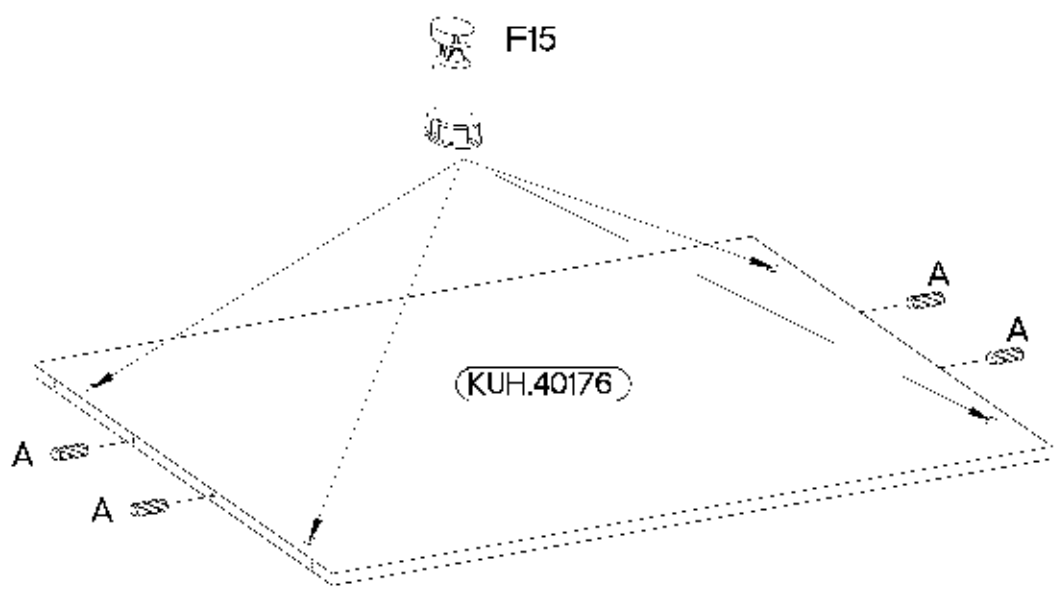
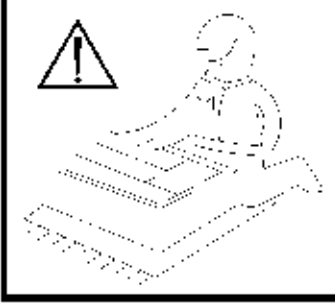
1

Ø8x30mm	Ø5/12mm	L-20mm
		
A	C	D2
4	2	4

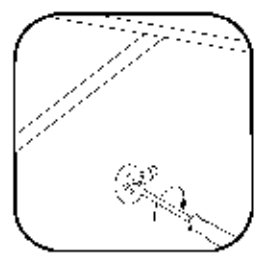
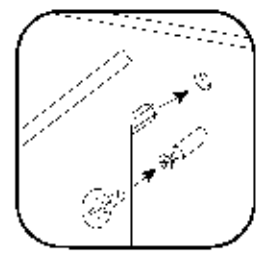
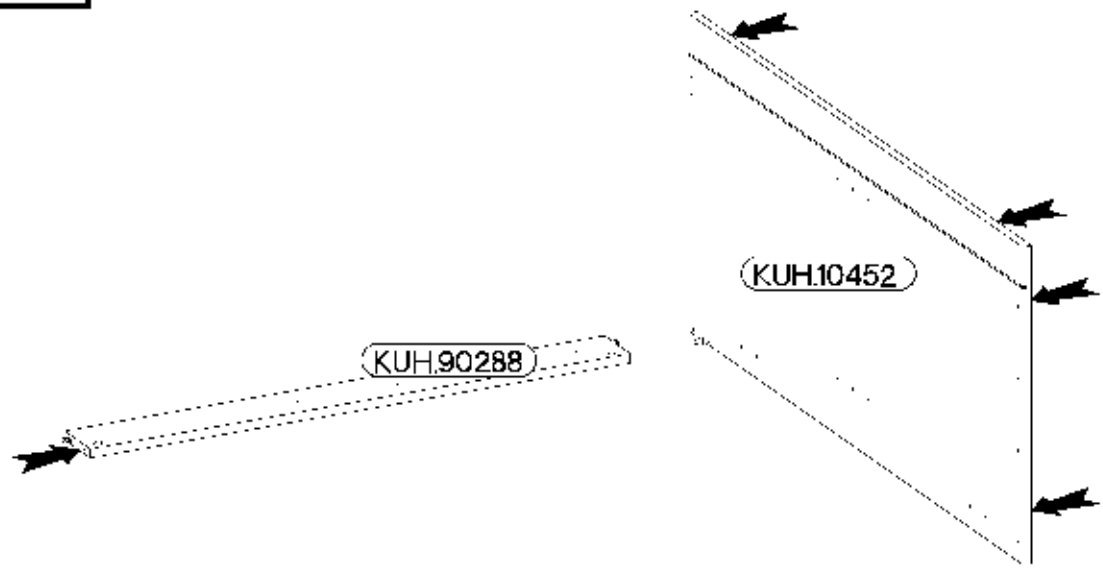
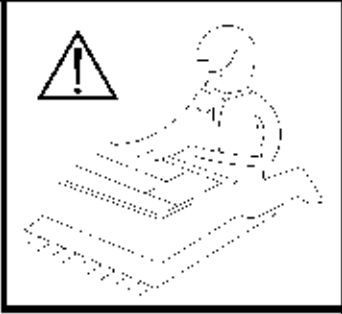


2

$\varnothing 3.5 \times 13 \text{mm}$     L-135 170cm     $\varnothing 8 \times 30 \text{mm}$   
 P5     F15     A  
 16                      4                      4



3



4

6.4 x 50mm



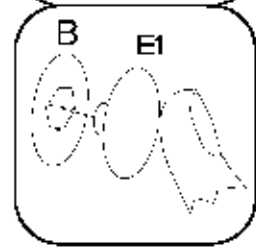
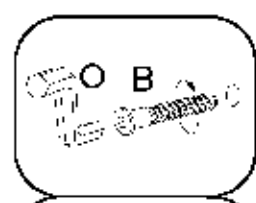
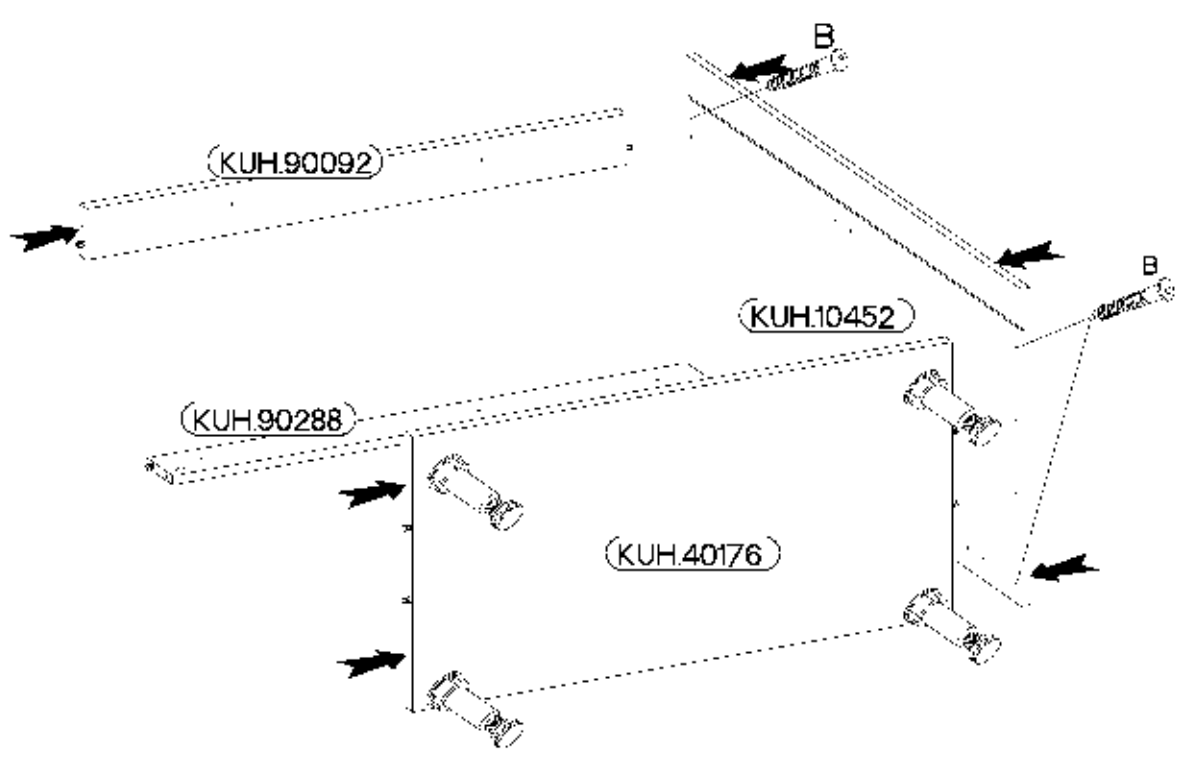
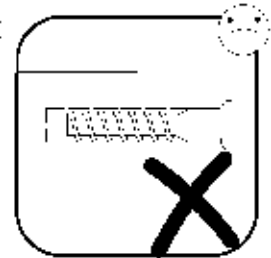
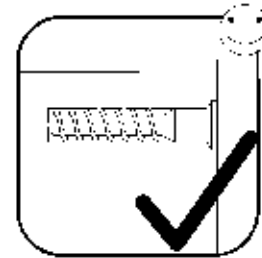
3 B



1 O

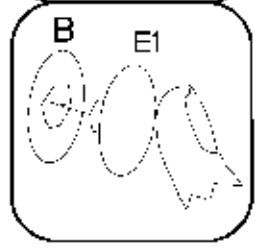
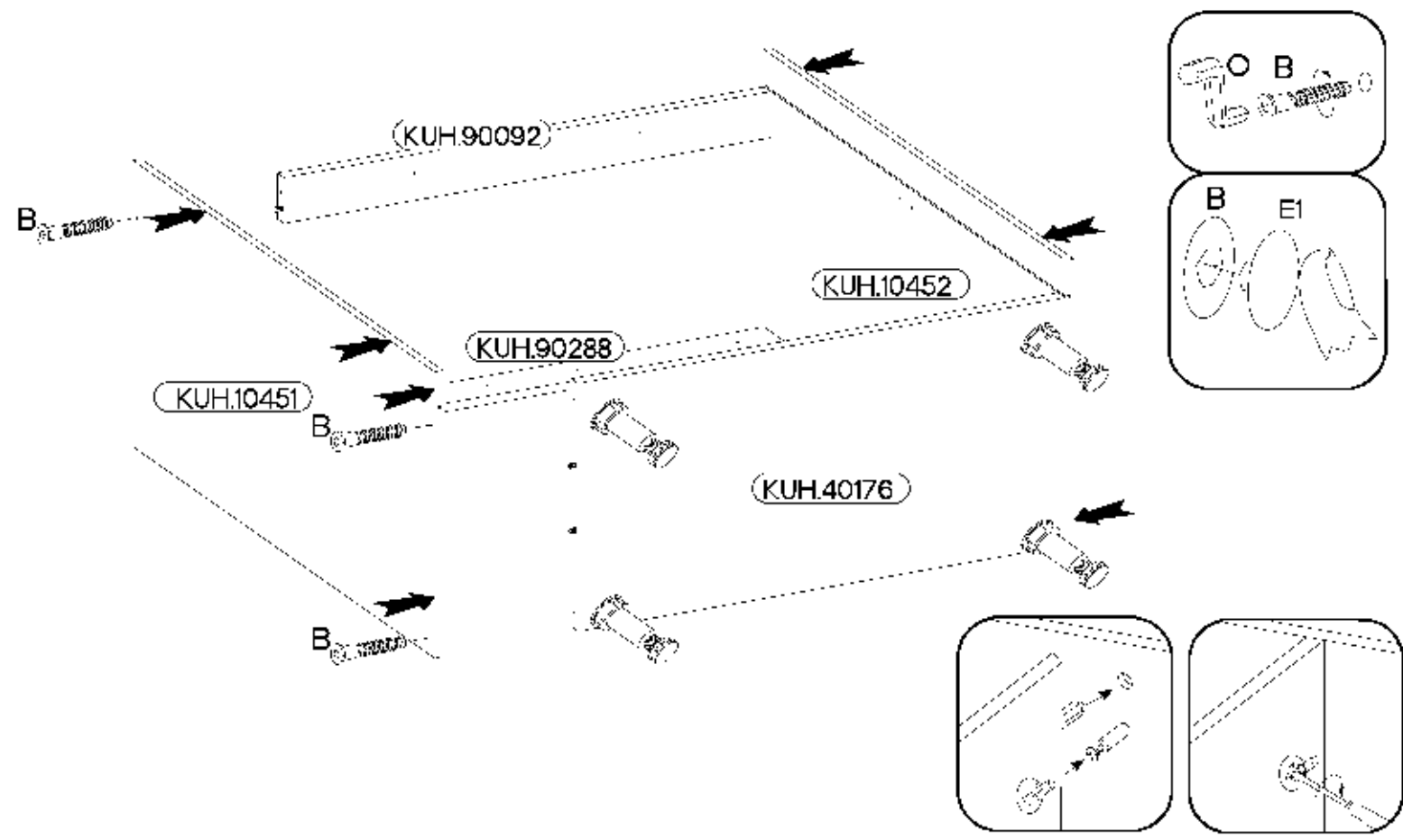
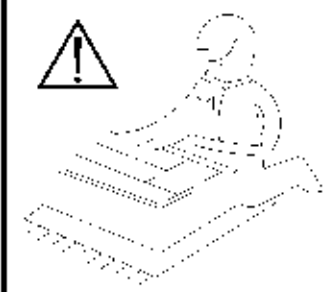
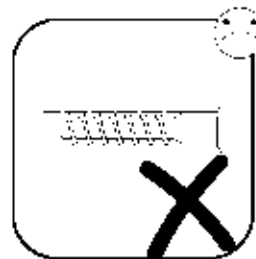
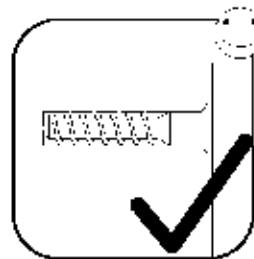
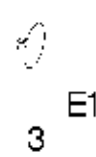
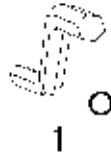


3 EI



5

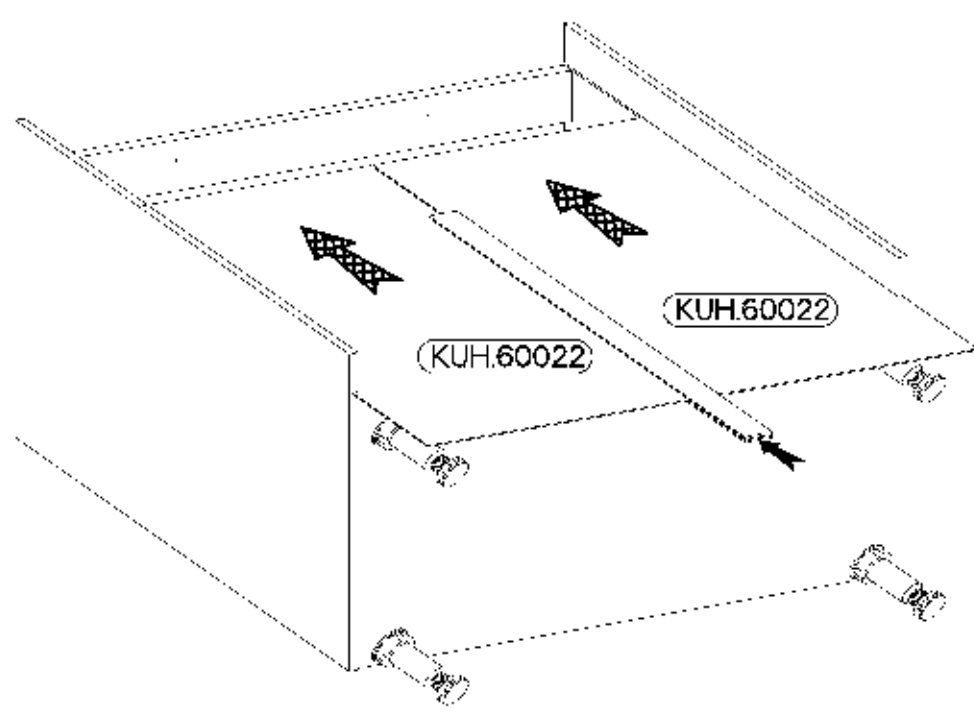
6,4 x 50mm



6

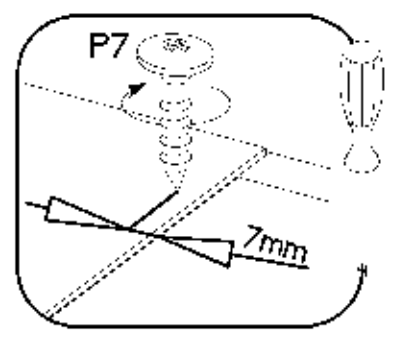
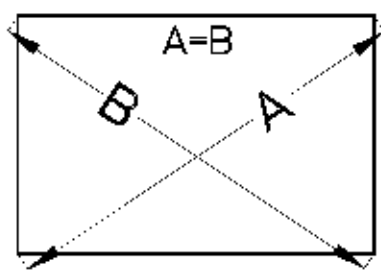
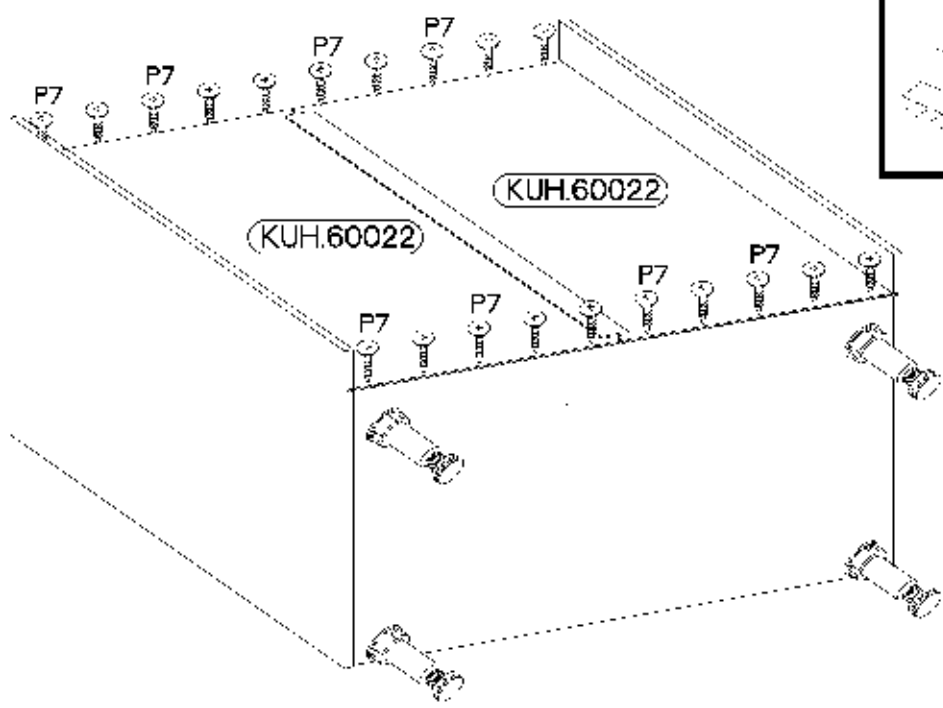
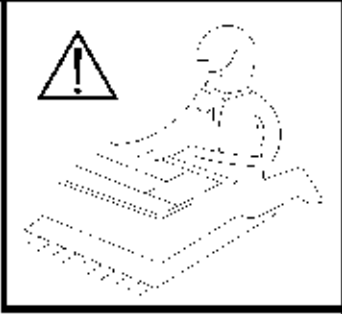
L=680mm

L1  
1



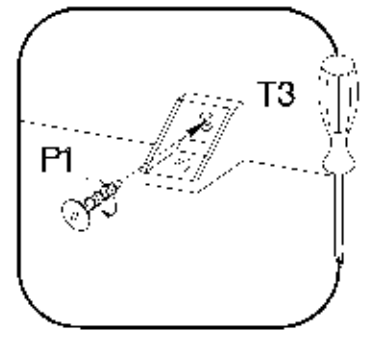
7

+3.0x20mm  
P7  
15-20

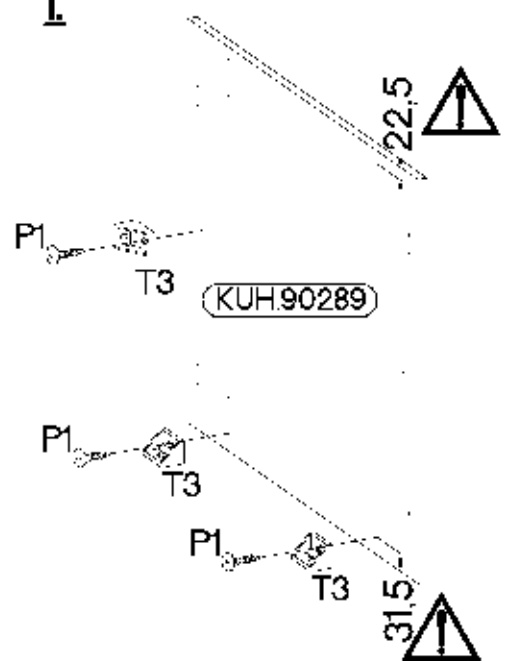


8

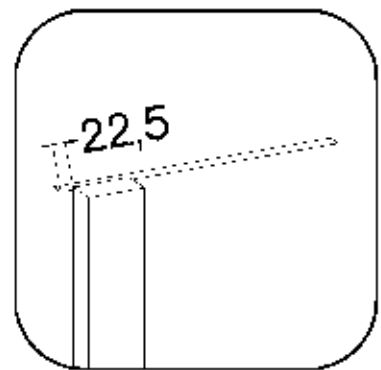
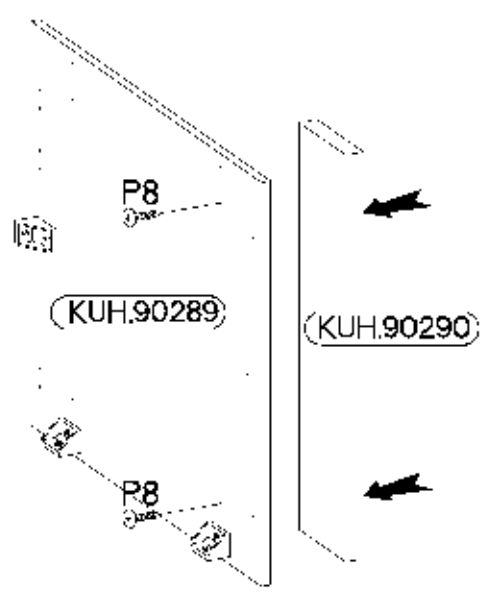
+4.0x16mm +4.0x30mm  
T3 P1 P8  
3 3 2



1.



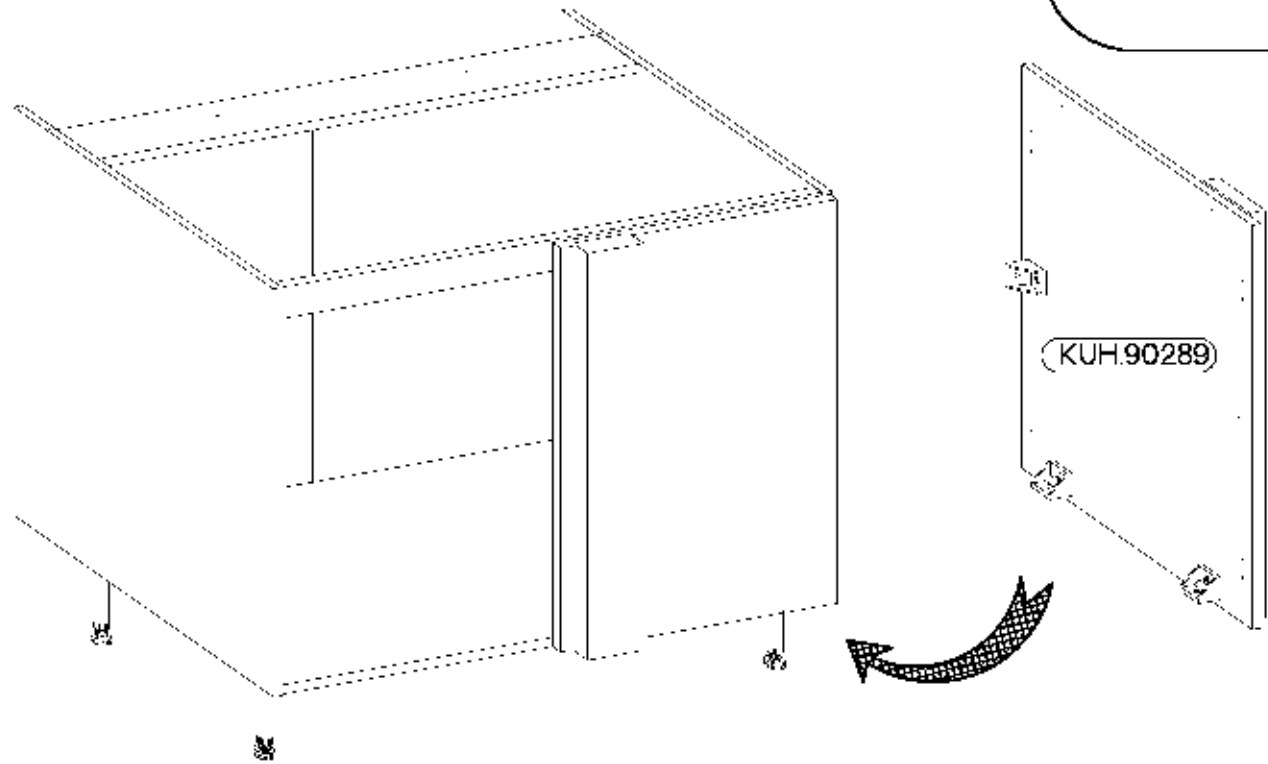
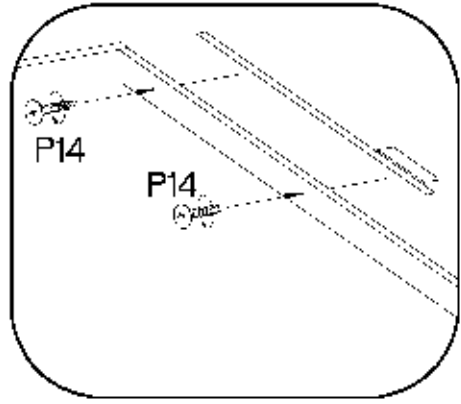
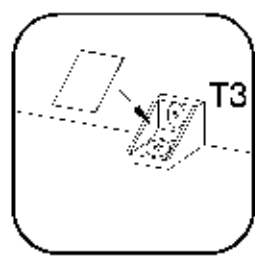
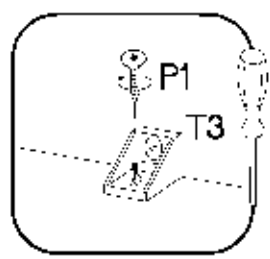
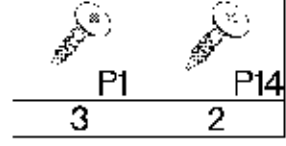
2.





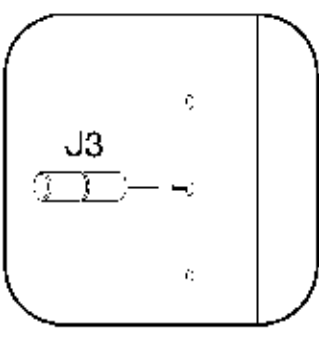
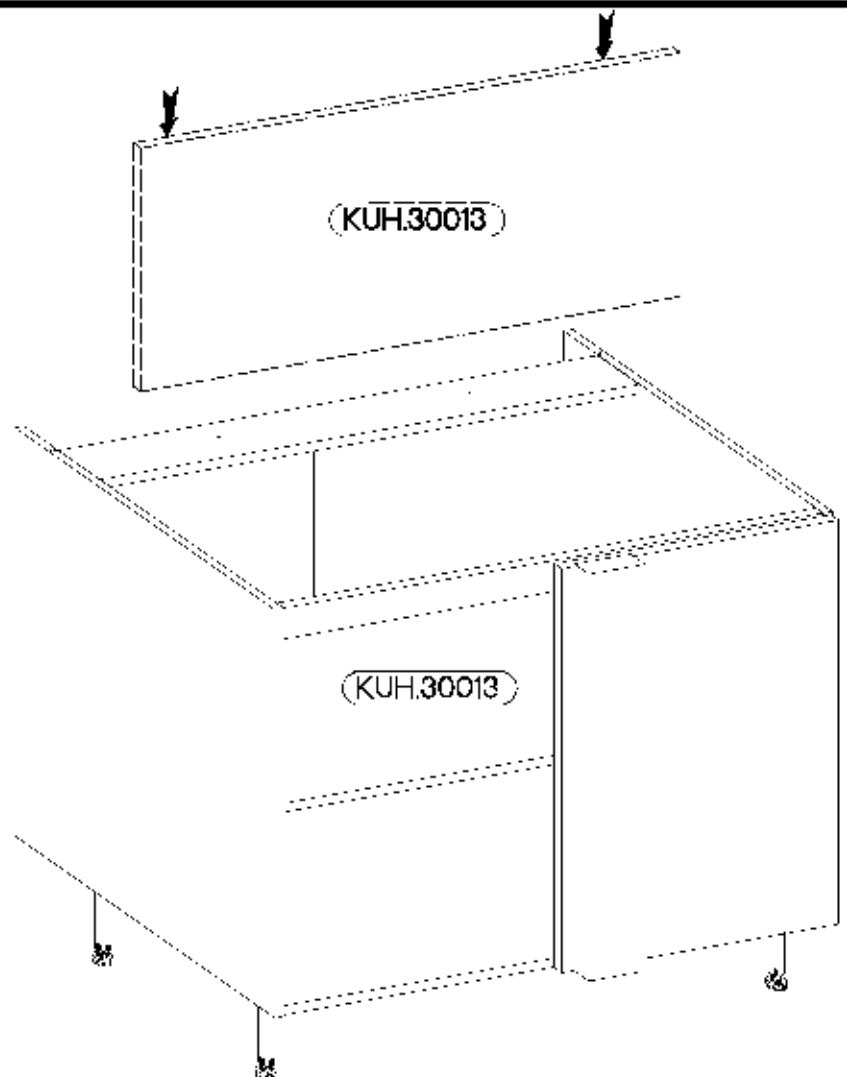
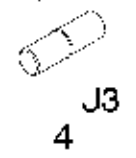
9

±4.0x16mm ±4.0x25mm






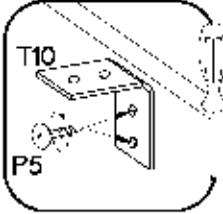
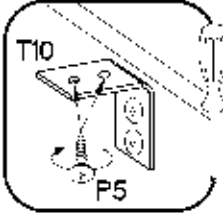

10

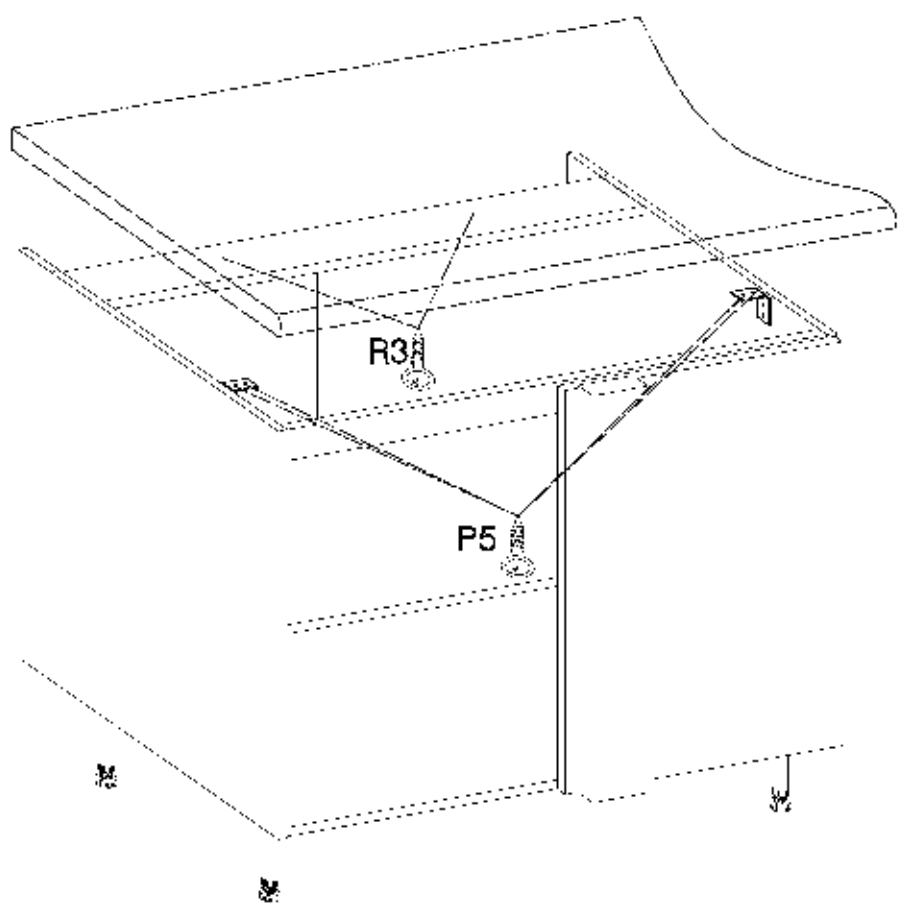
±5/16mm





11

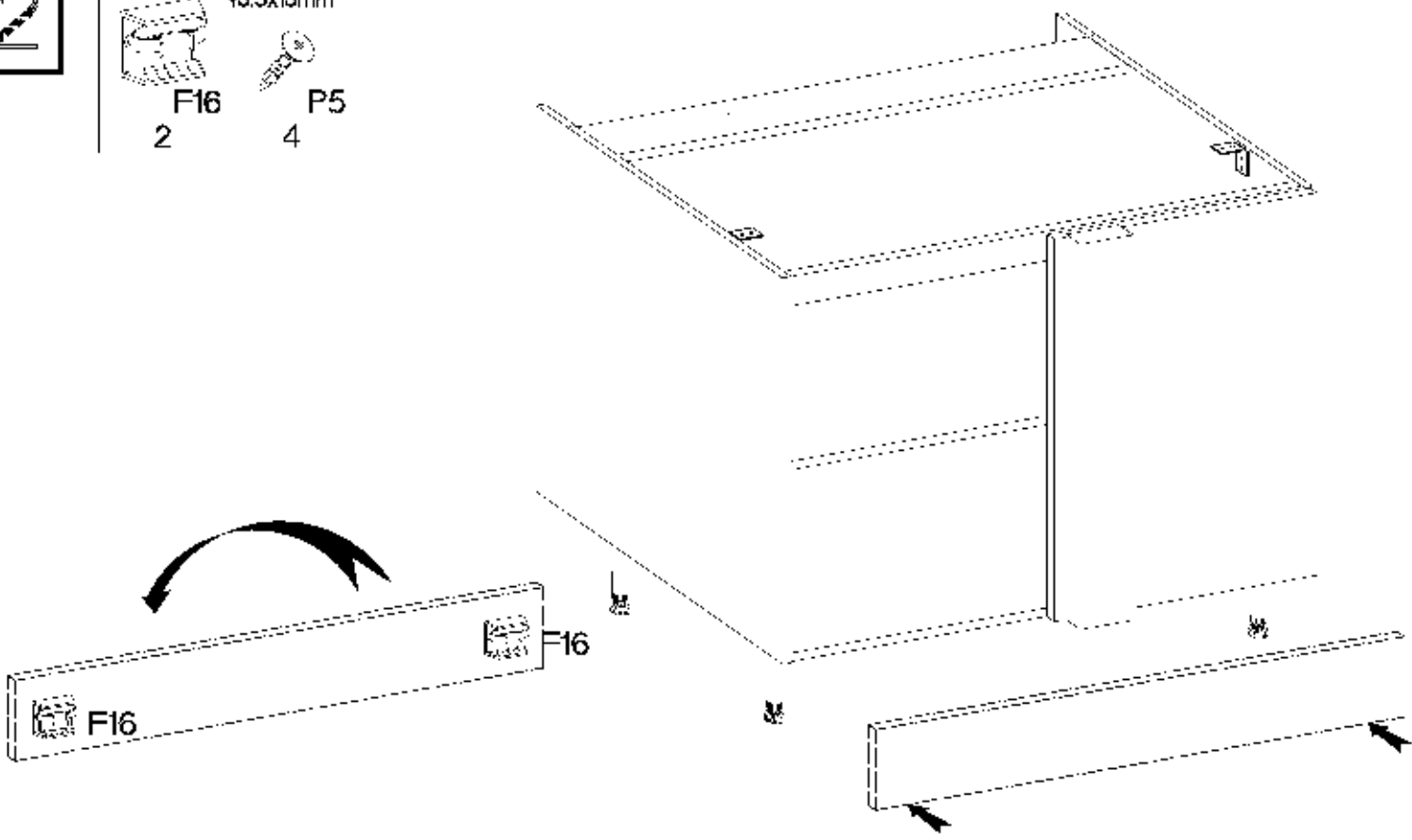
ø3.5x13mm		ø4.0x35mm	
			
P5	R3	T10	
8	2	2	

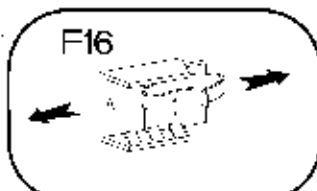

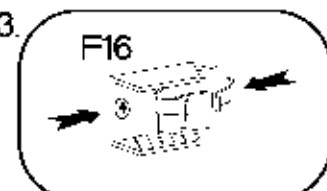
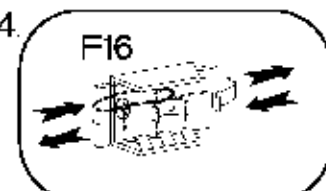
- 
  - 
- 






12

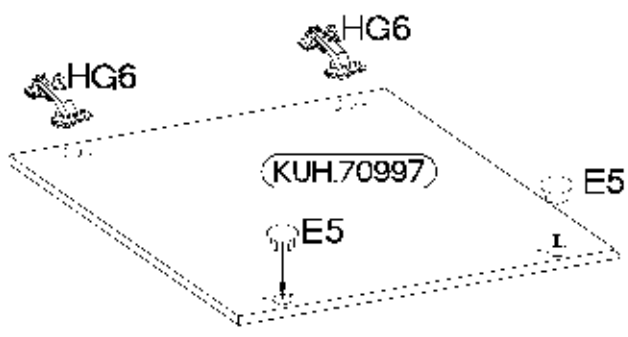
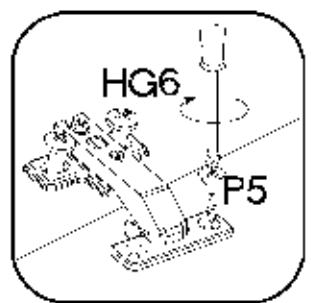
ø3.5x13mm	
	
F16	P5
2	4



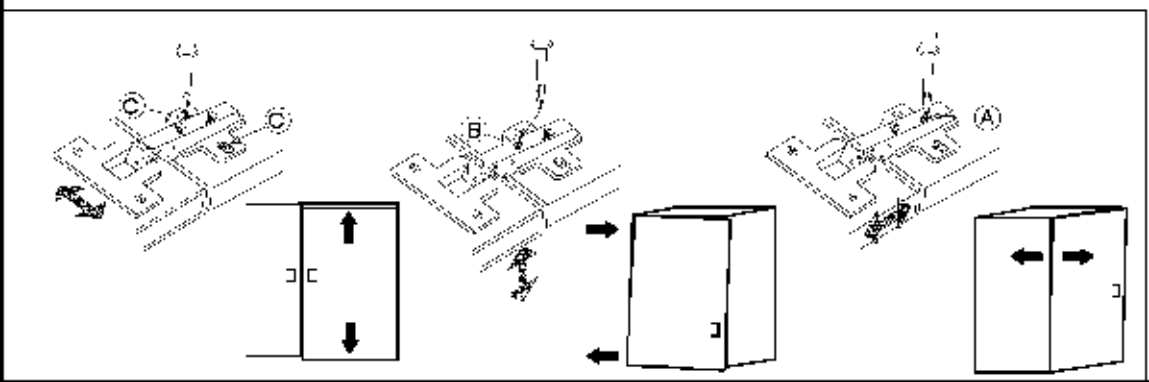
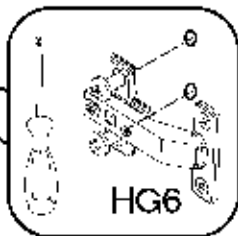
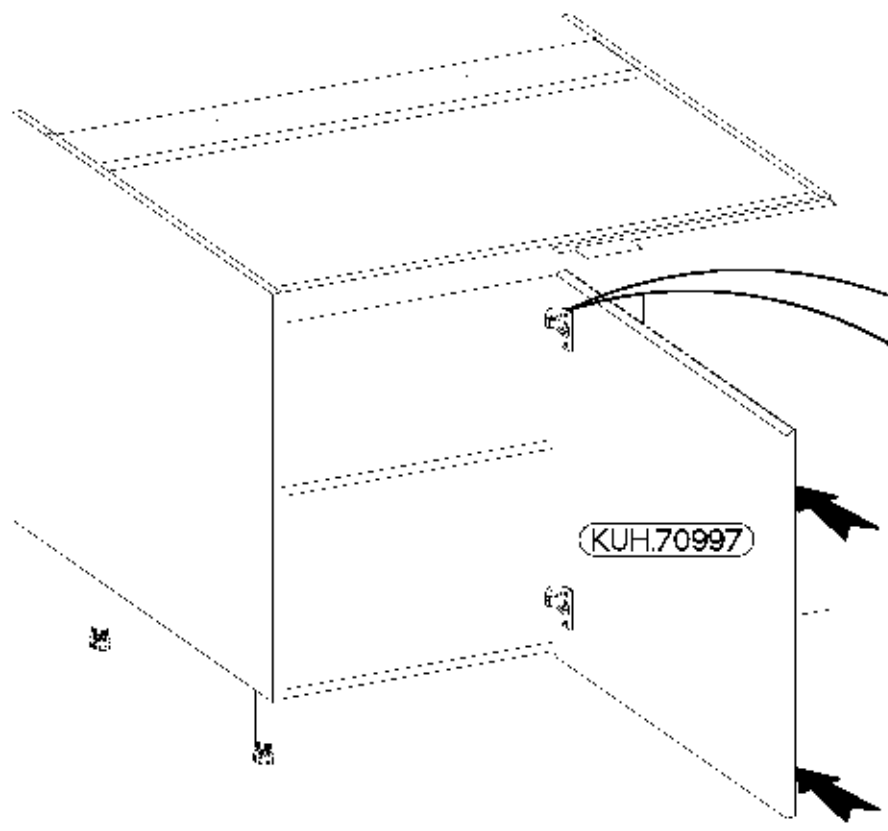
- 
- 
- 
- 

13

 $\approx 35/90^\circ$	 $\pm 3.5 \times 13 \text{mm}$	 $\pm 35 \text{mm}$
HG6	P5	E5
2	4	2






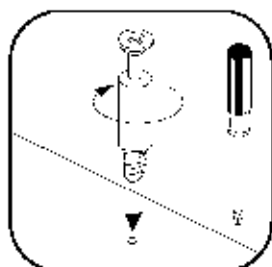
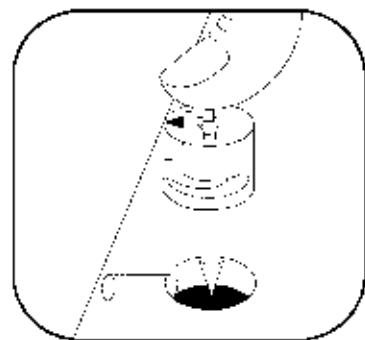
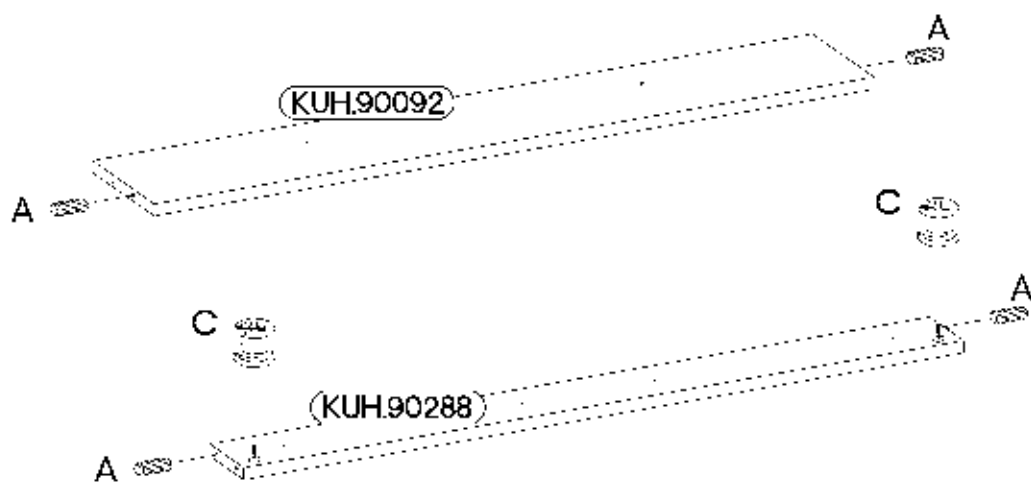
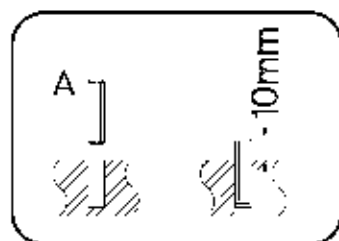
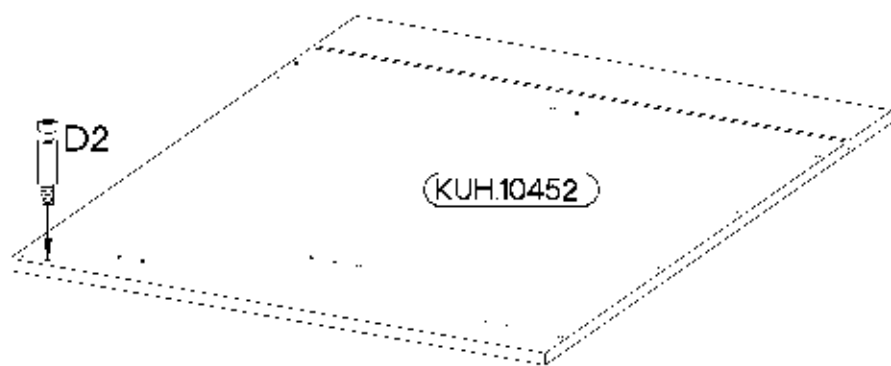
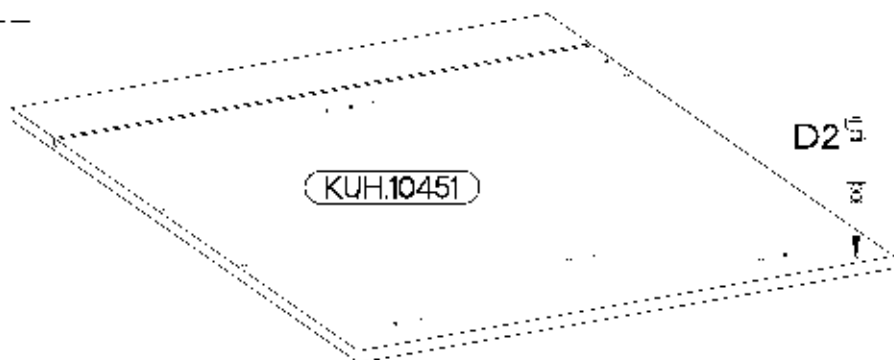
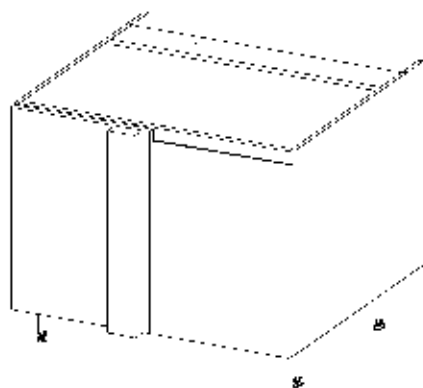
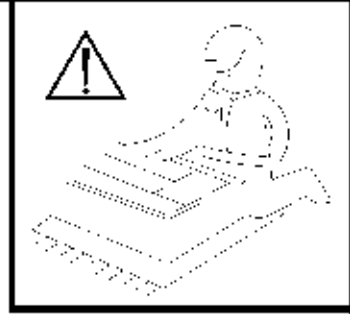
14



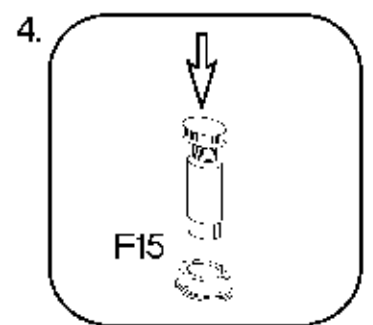
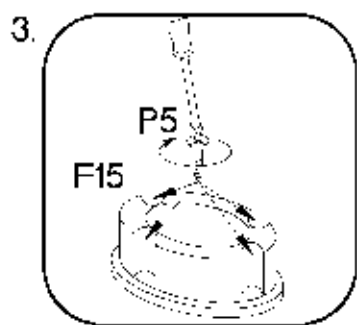
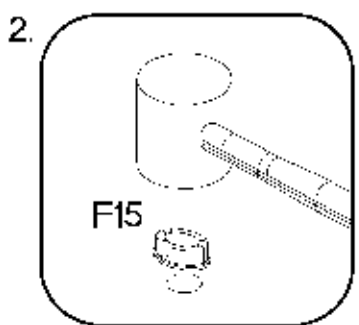
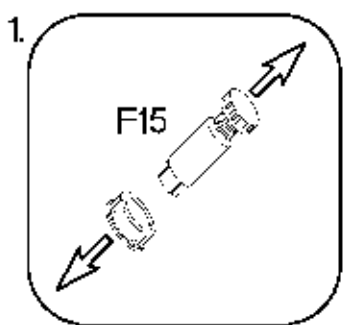
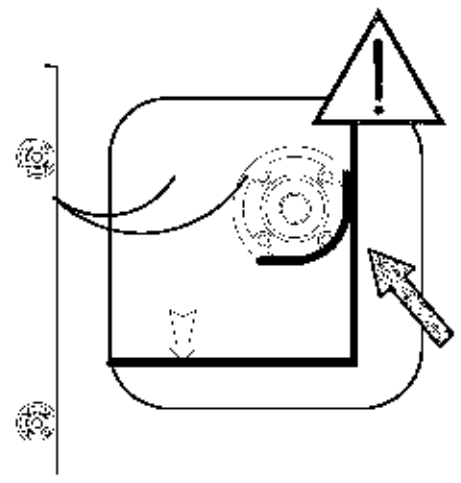
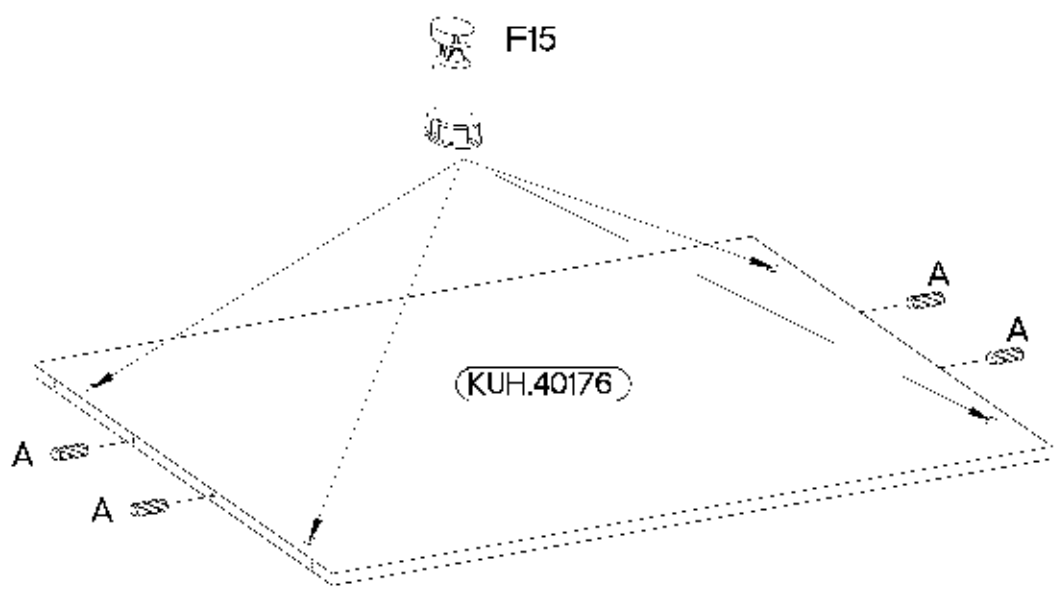
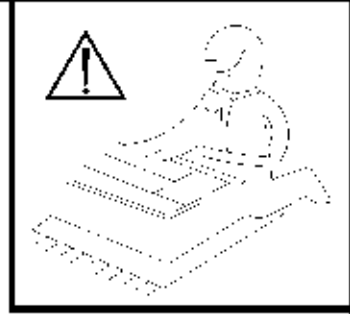
# VARIAN

# 15

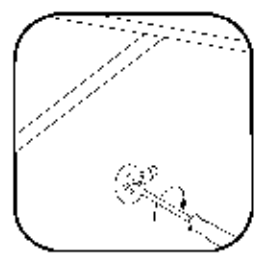
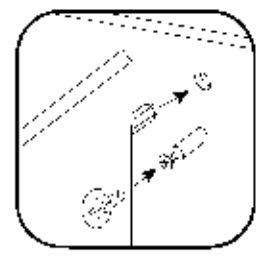
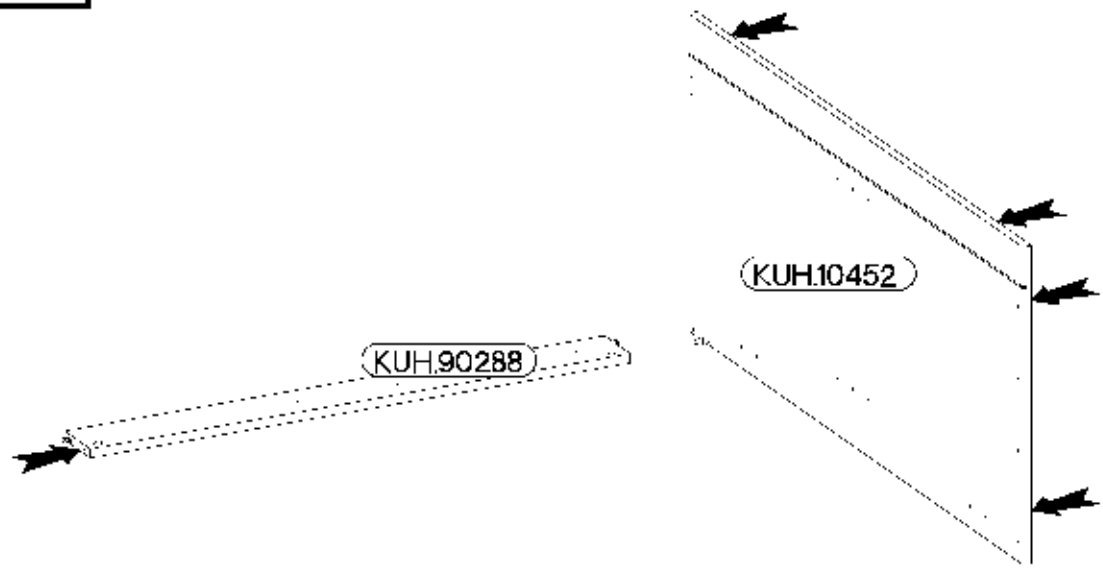
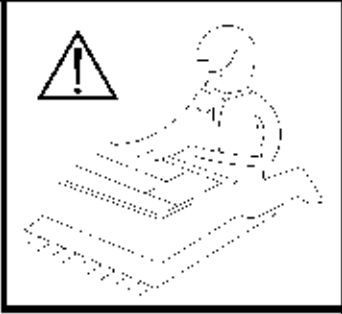
Ø8x30mm	Ø15/12mm	L=20mm
		
A	C	D2
4	2	4



- Ø3.5x13mm P5 16
- L-135 170cm F15 4
- Ø8x30mm A 4

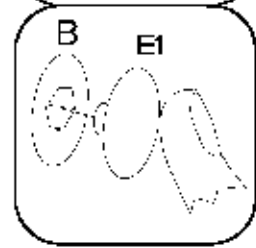
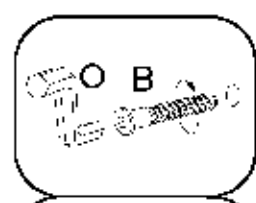
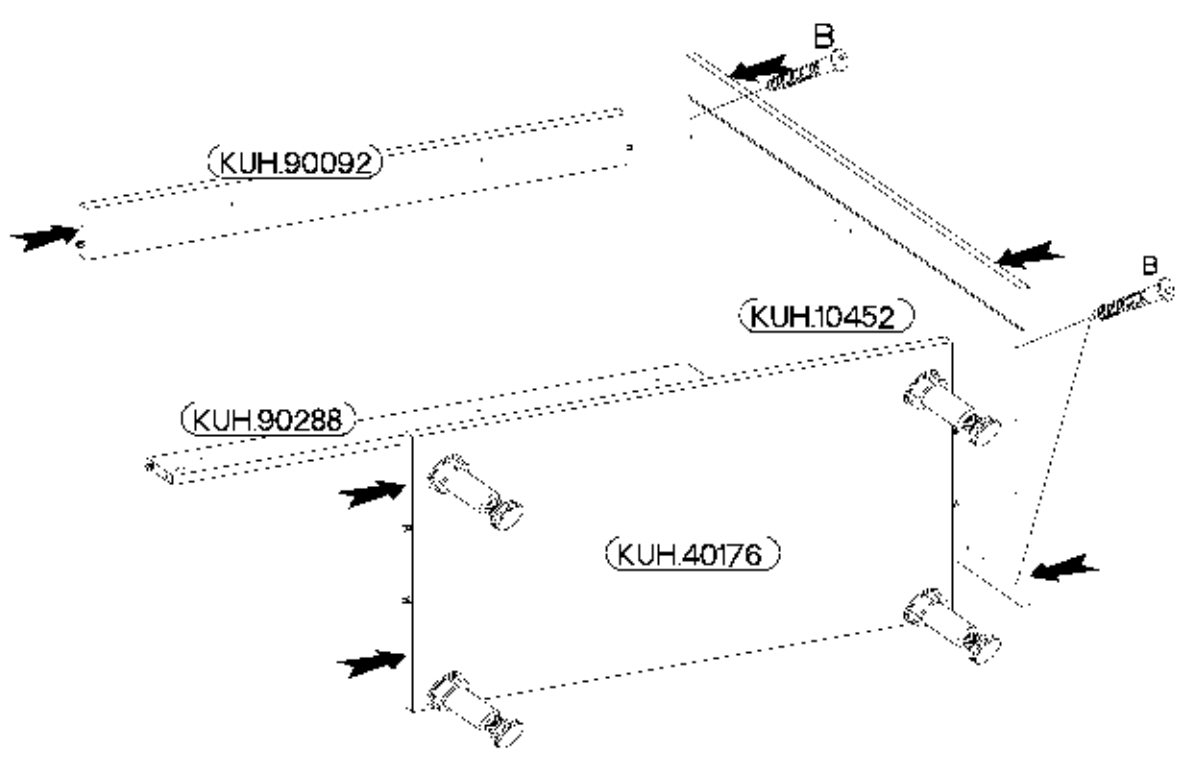
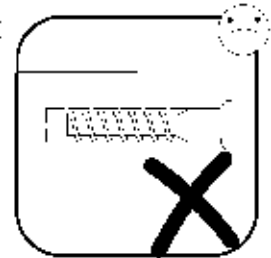
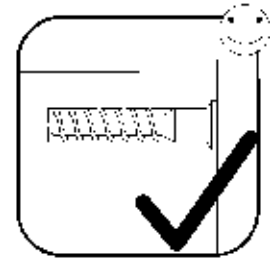
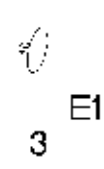


17



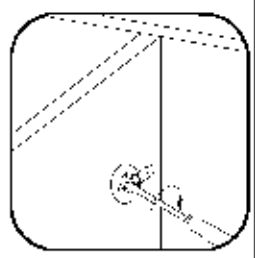
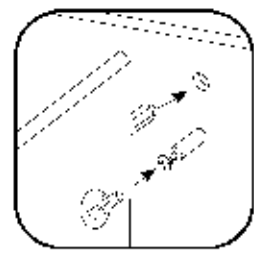
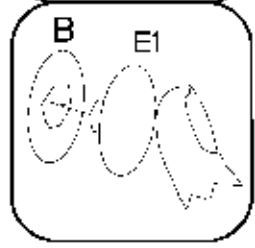
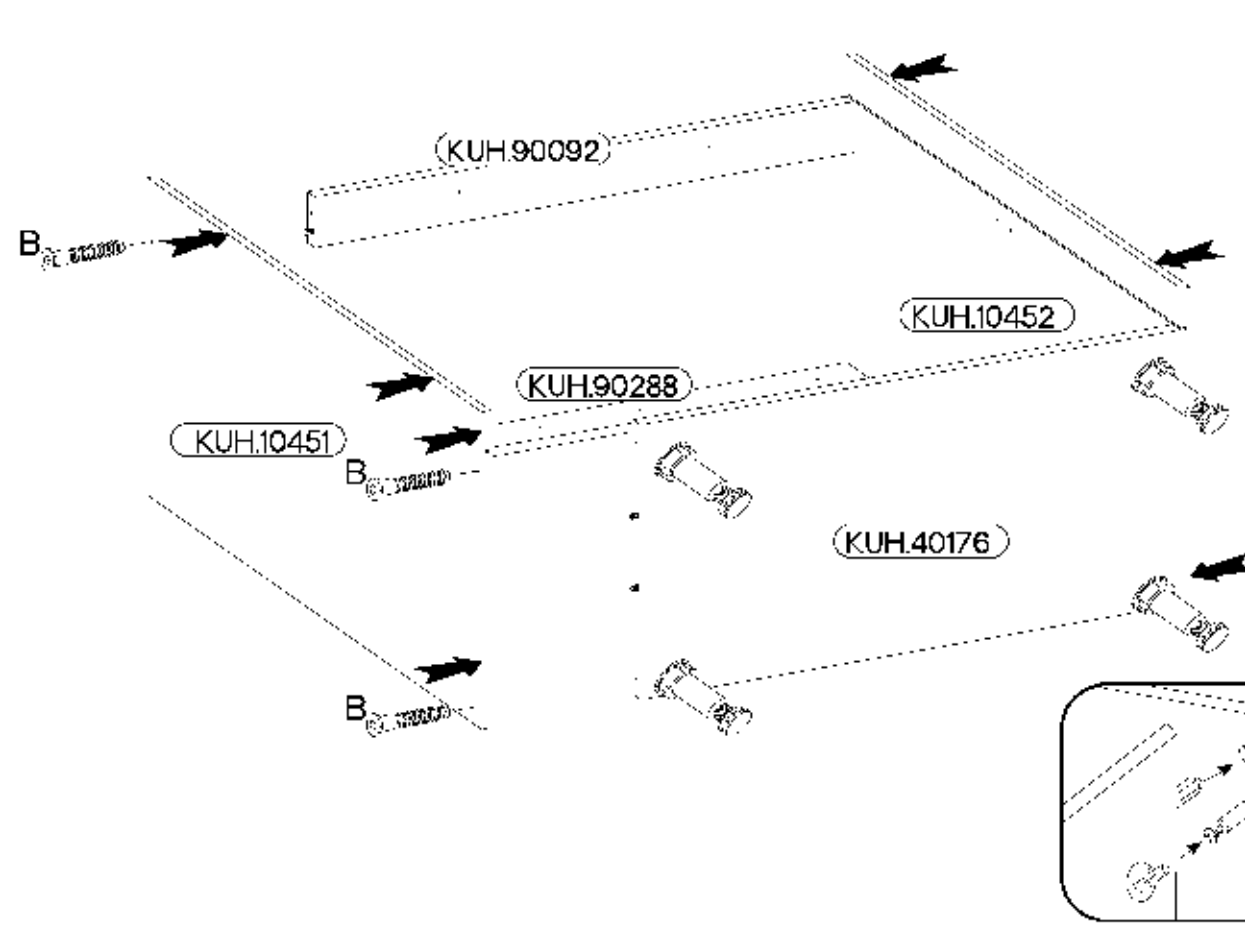
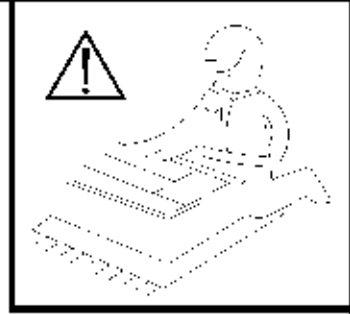
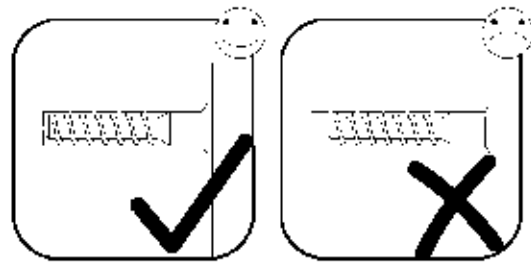
18

6.4 x 50mm



19

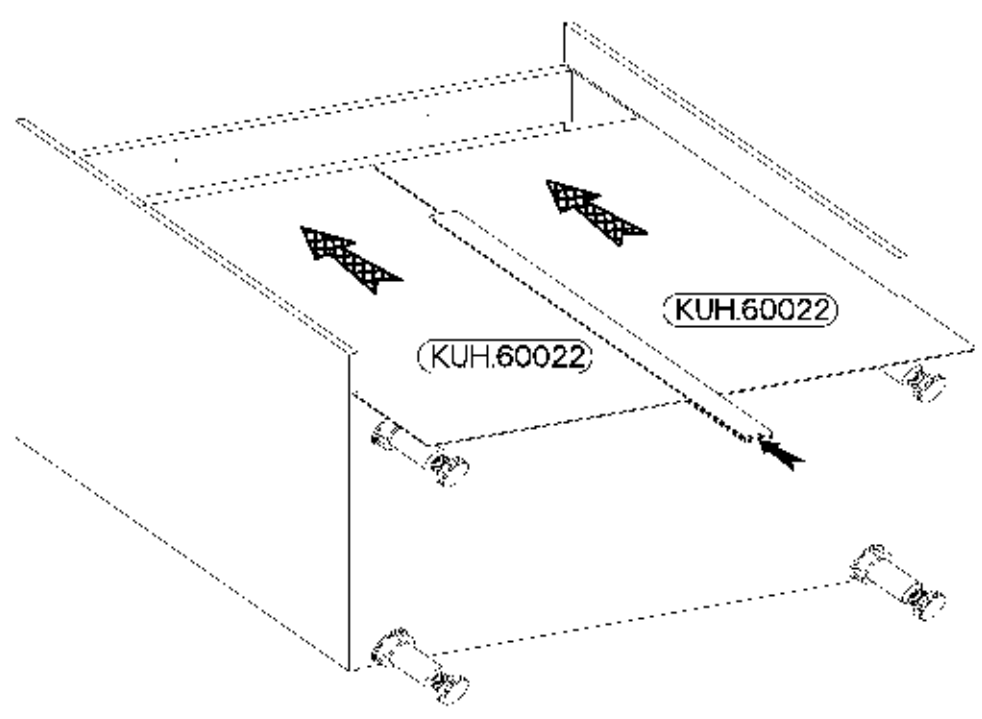
6,4 x 50mm



20

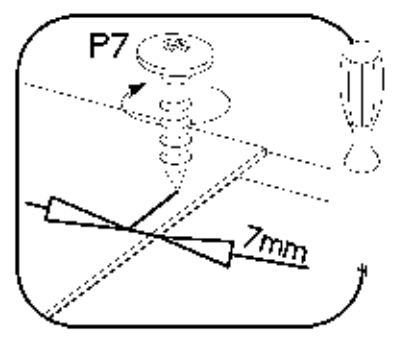
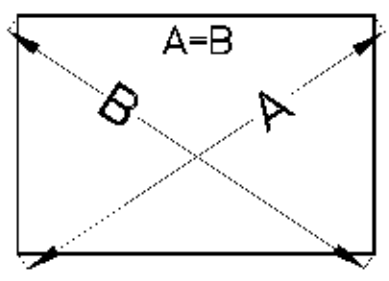
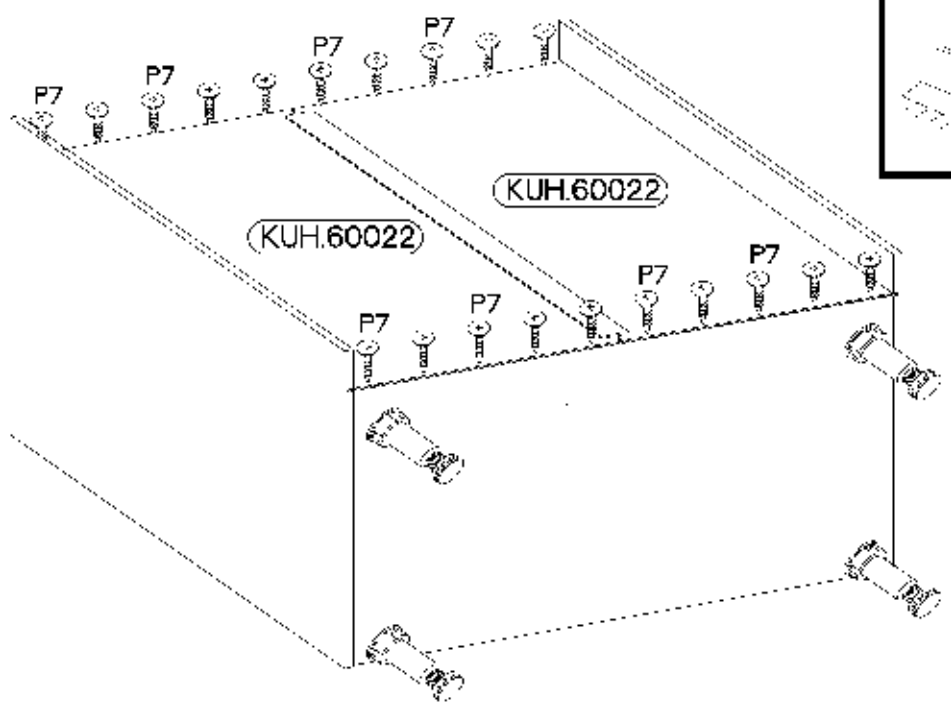
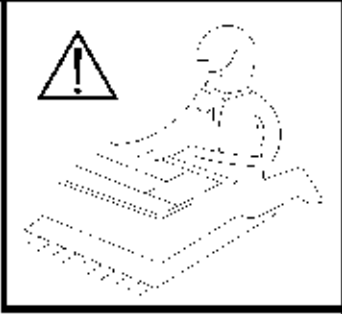
L=680mm

--- L1  
1



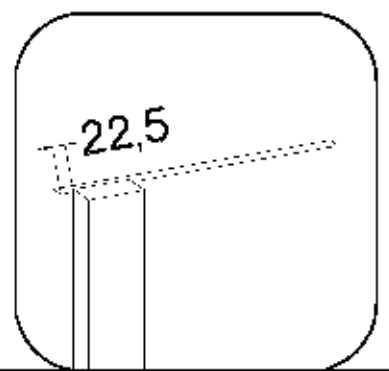
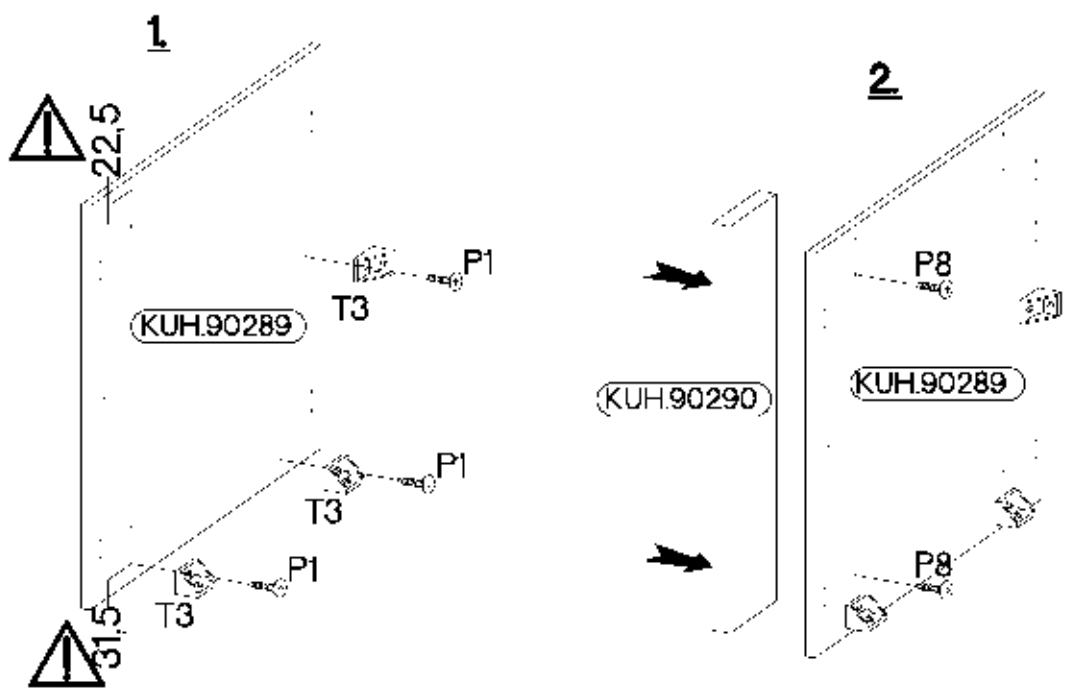
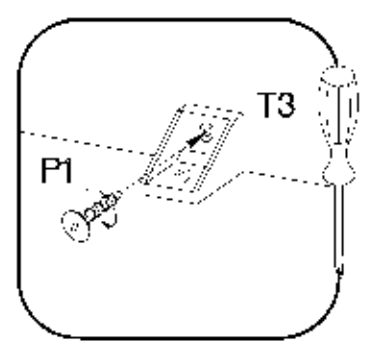
2

+3.0x20mm  
P7  
15-20



2

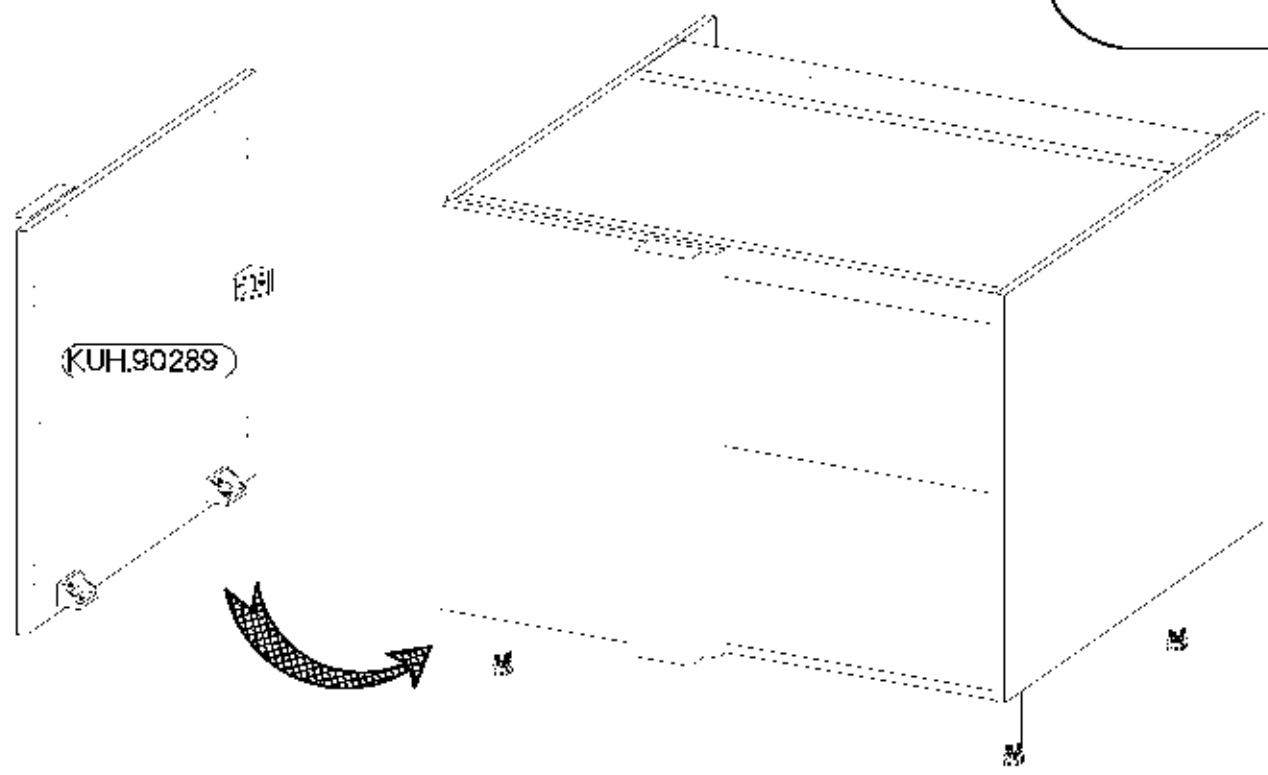
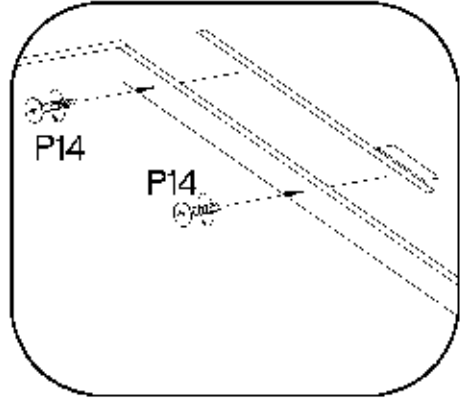
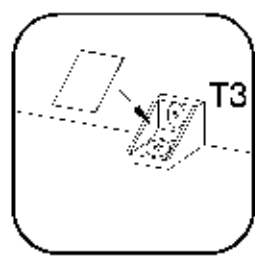
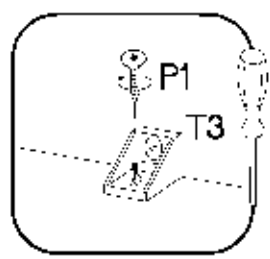
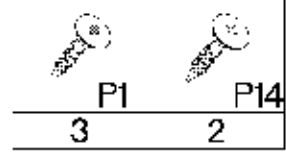
+4.0x16mm +4.0x30mm  
T3 P1 P8  
3 3 2





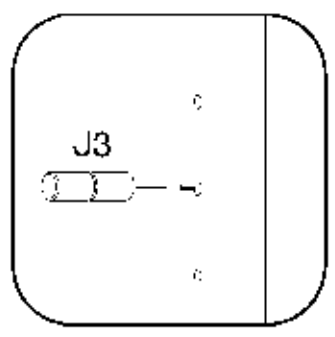
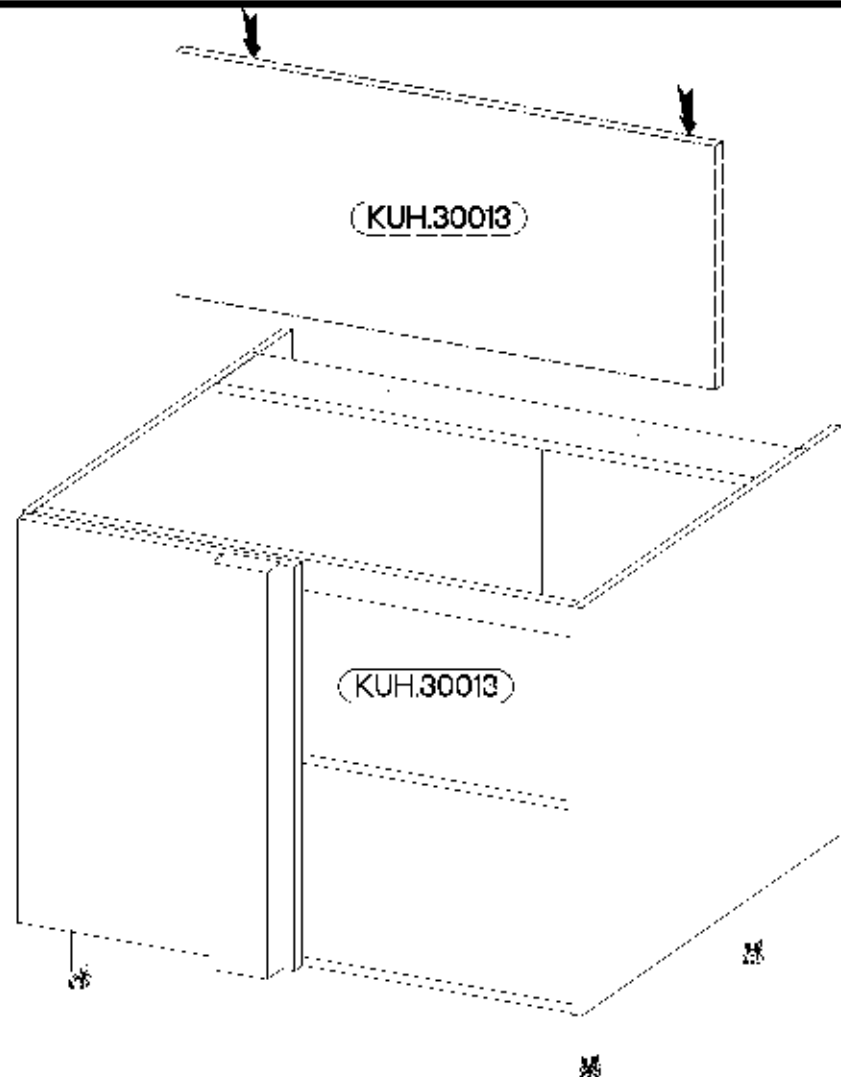
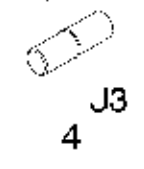
23

±4.0x16mm ±4.0x25mm



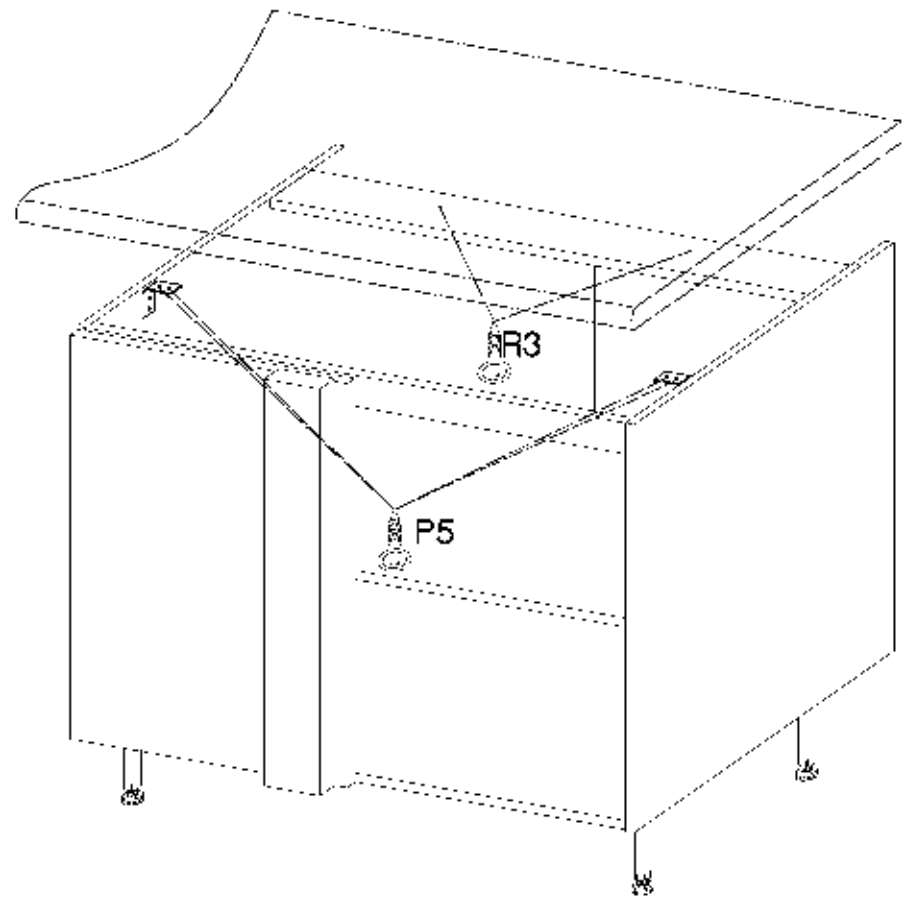
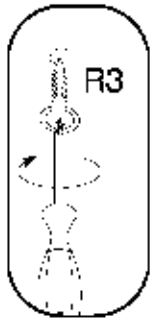
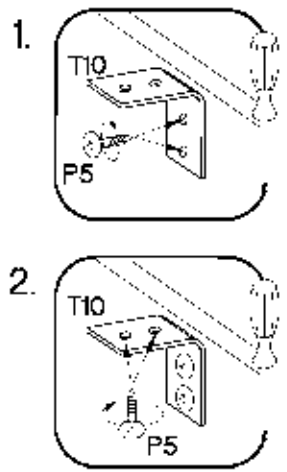
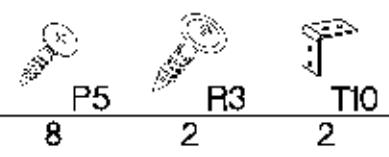
24

±5/16mm



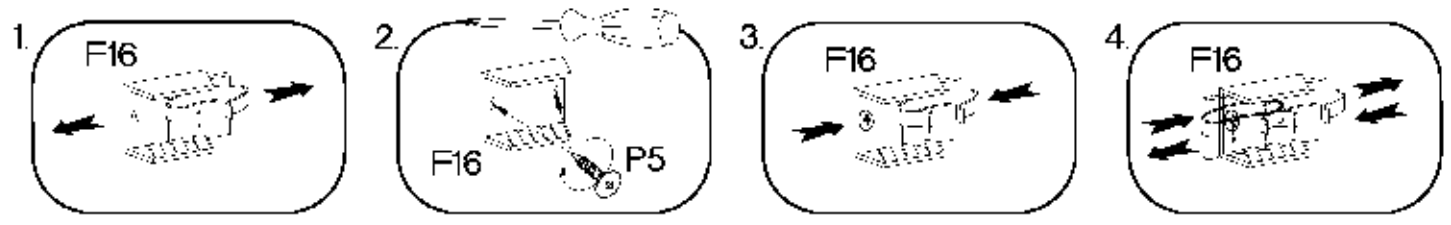
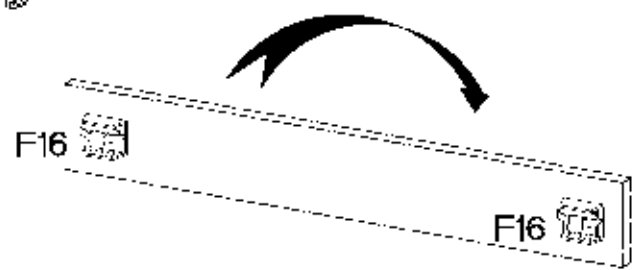
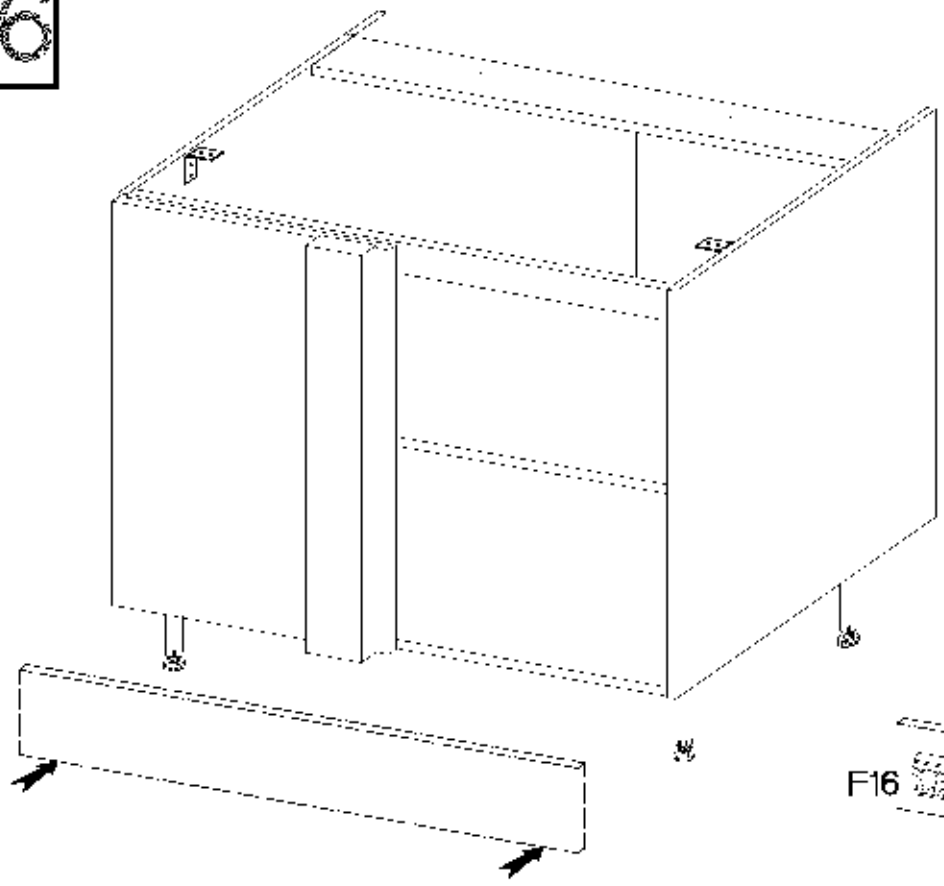
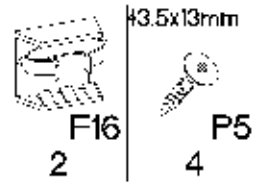
25

43.5x13mm 44.0x35mm



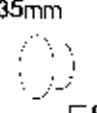


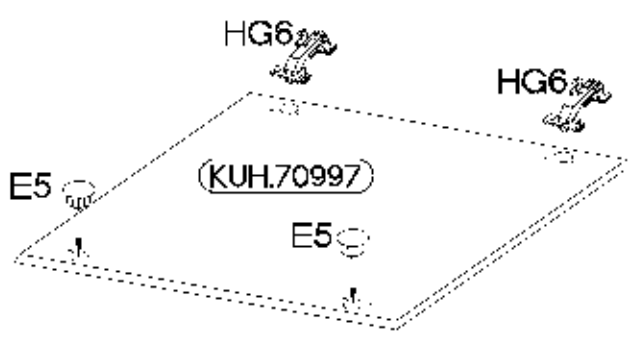
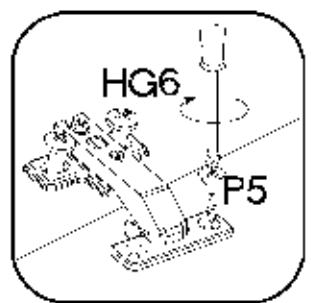
26

43.5x13mm

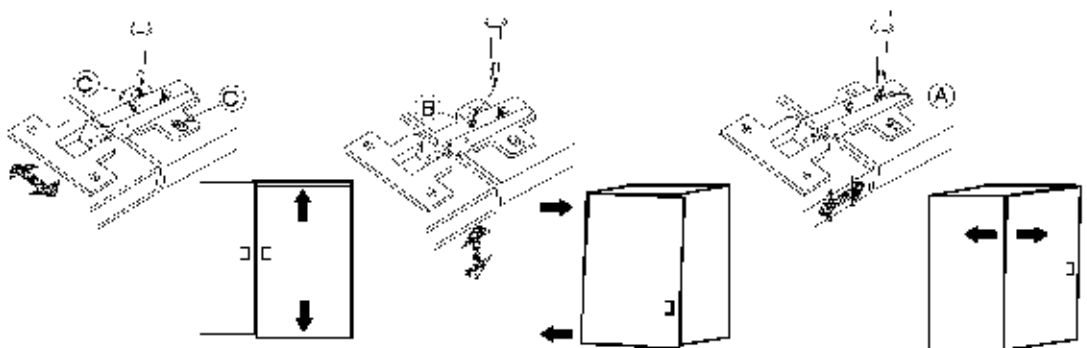
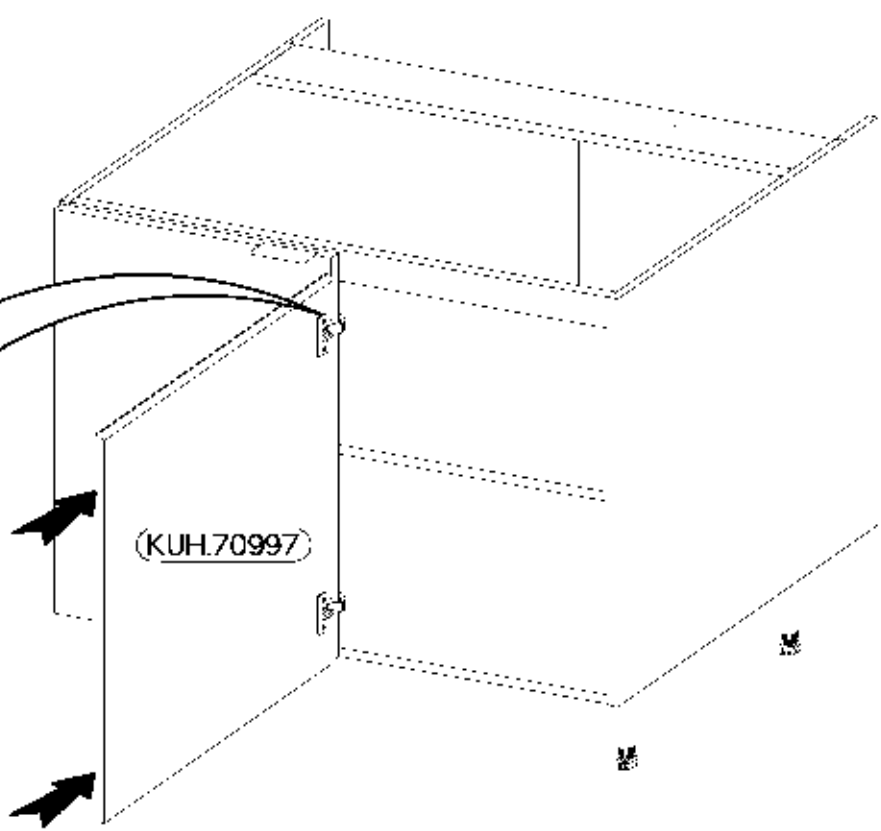
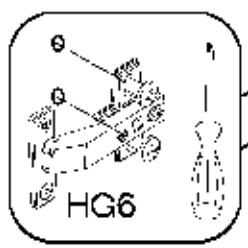


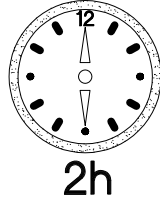
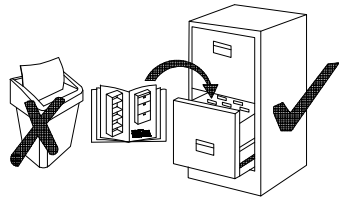
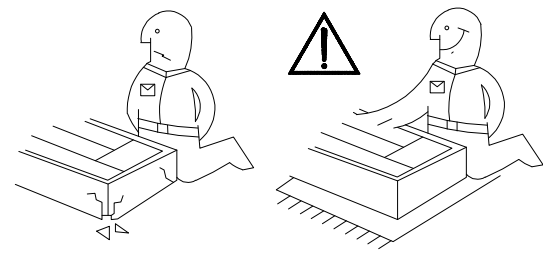
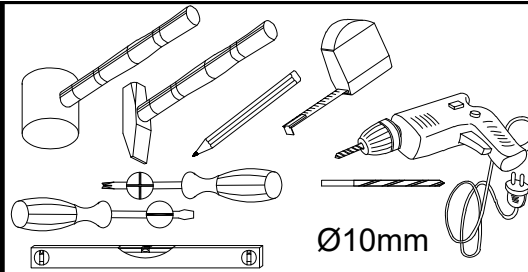
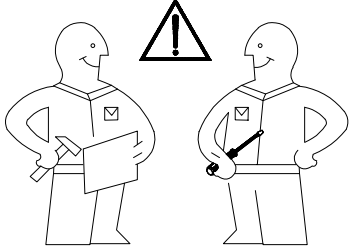
27

 $\pm 35/90^\circ$ HG6	 $\pm 3.5 \times 13 \text{mm}$ P5	 $\pm 35 \text{mm}$ E5
2	4	2

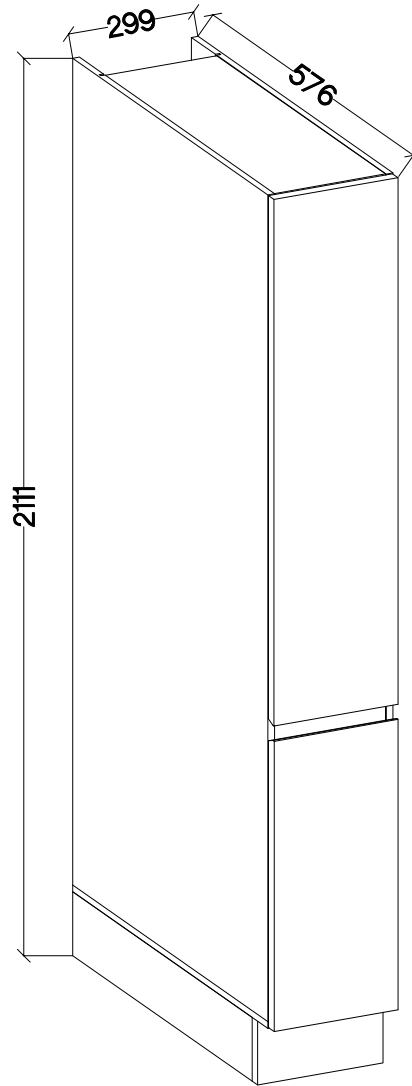
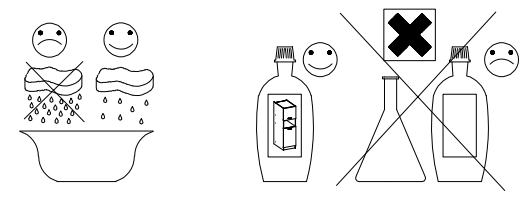


28



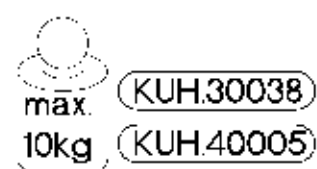
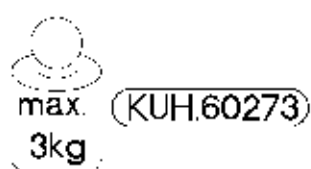
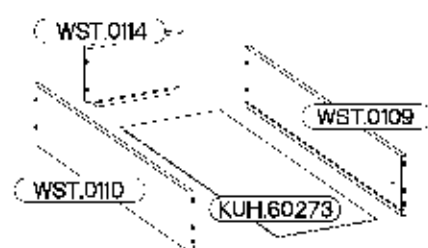
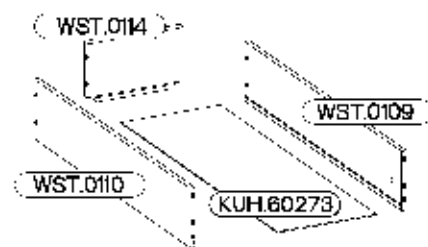
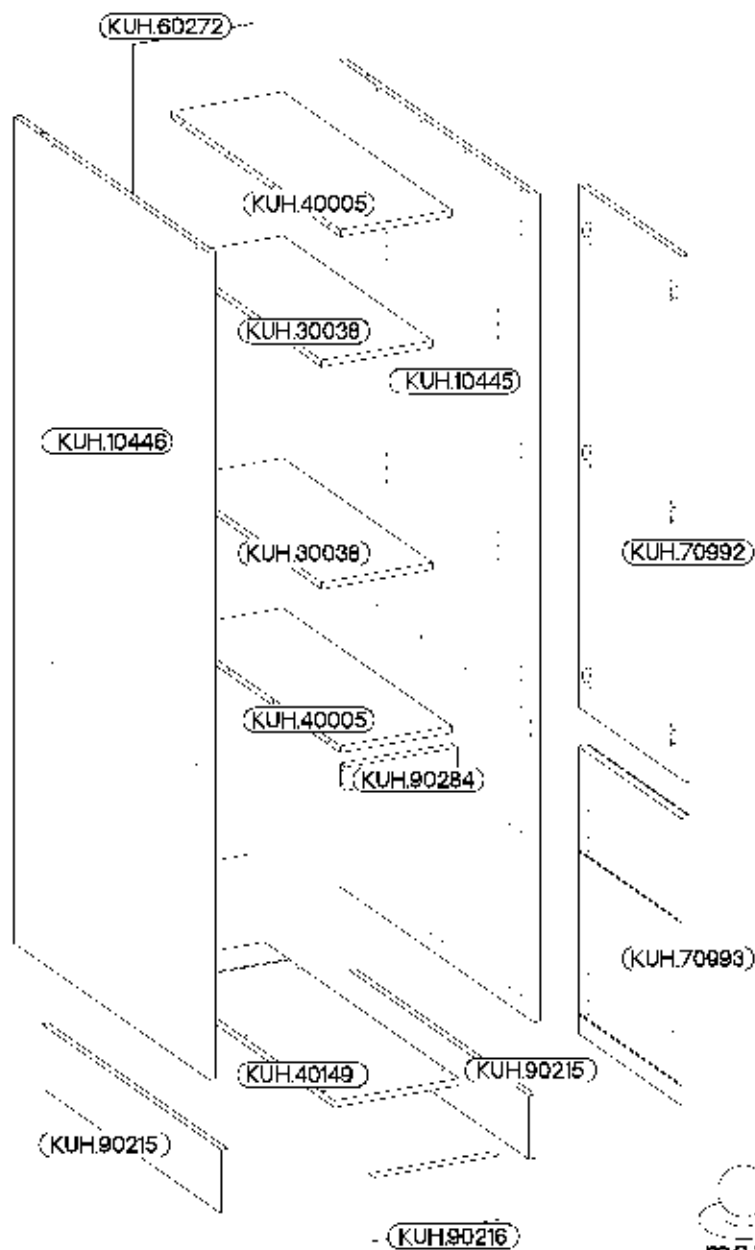


73-202-...  
ADANA  
Apotheker



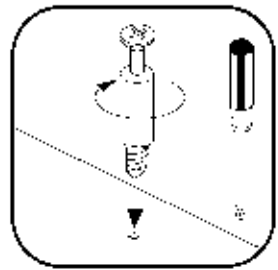
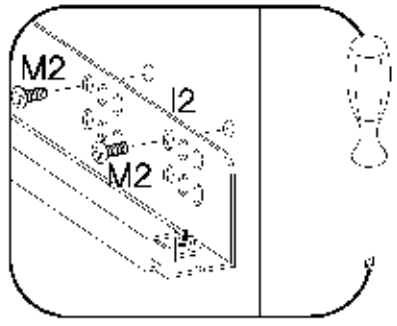
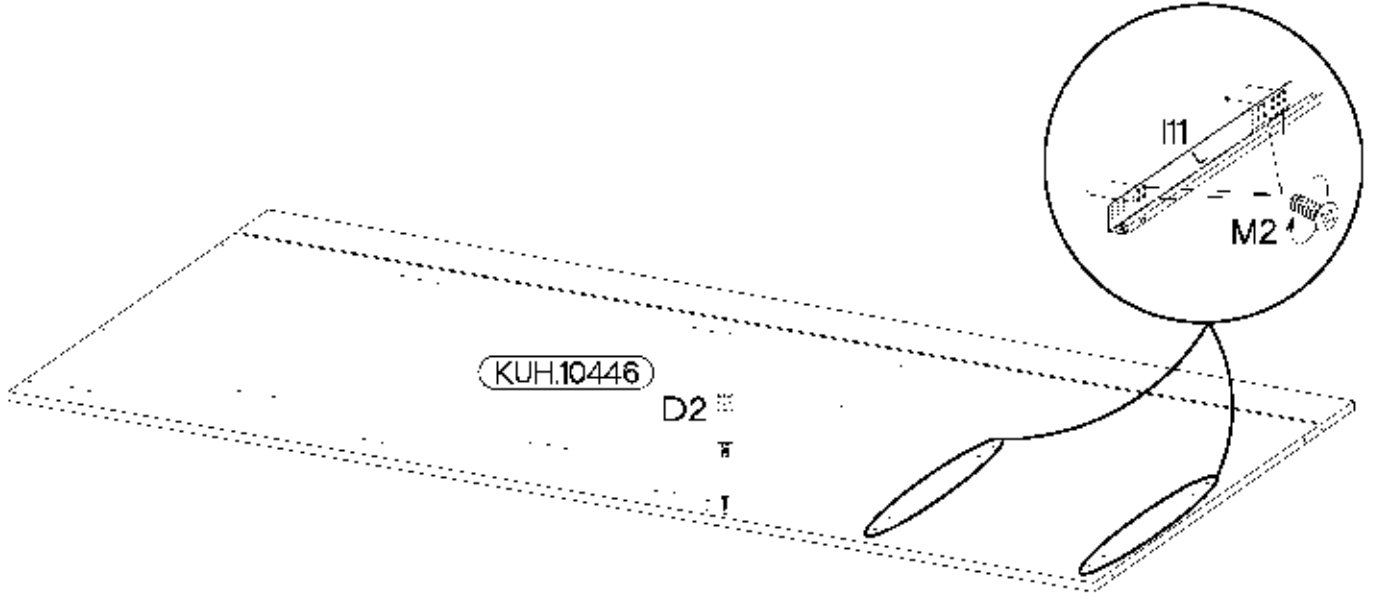
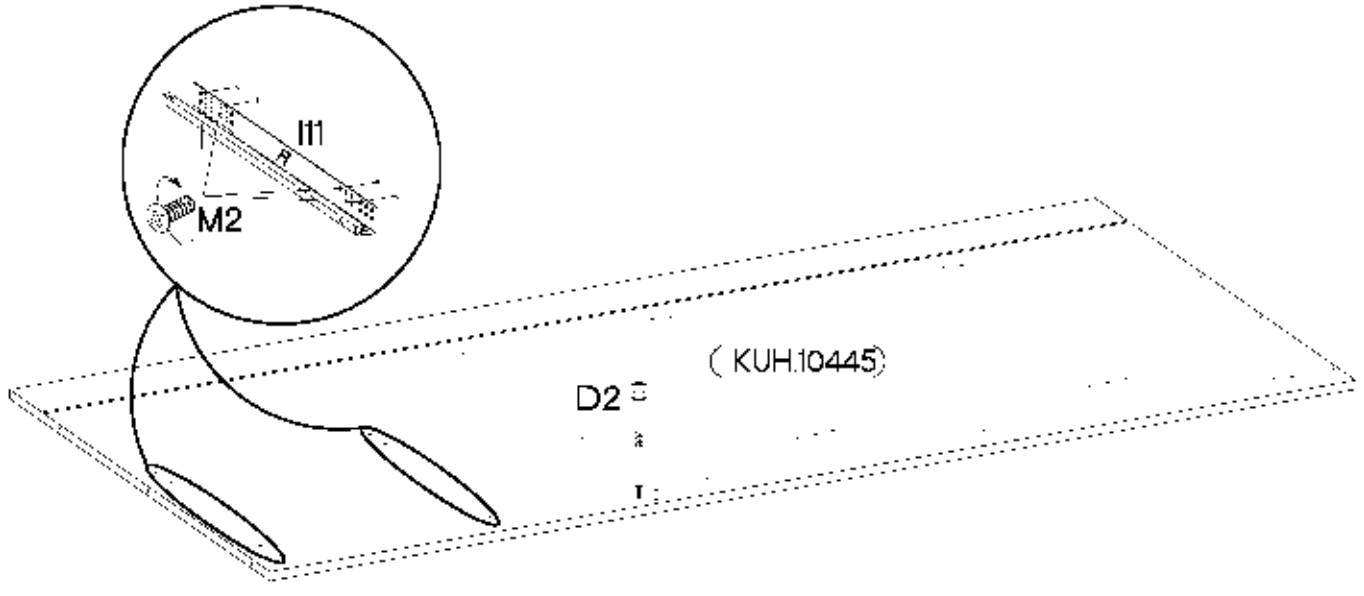
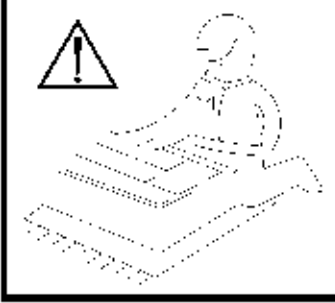
 +8x30mm A 18	 6,4 x 50mm B 14	 +6x42mm B2 8	 +15/12mm C 2	 +12/10mm C5 4	 L=20mm D2 6	 E1 14
 +35mm E5 3	 F16 6	 L=135-170cm F15 4	 +35/0mm HG 3	 L=450mm L 2	 R 2	 +5/16mm J3 8
 120x30x15mm L25 1	 +6.3x13mm M2 16	 O 1	 +3.5x13mm P5 36	 +3.0x20mm P7 12-15	 +4.0x25mm R 4	

ISM-KUH-01727


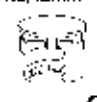


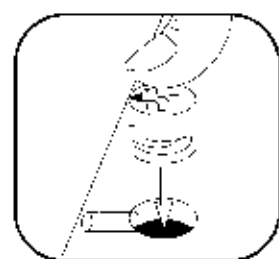
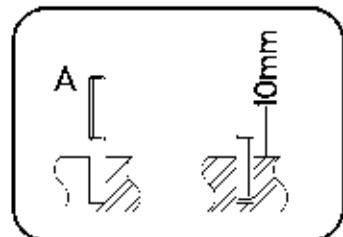
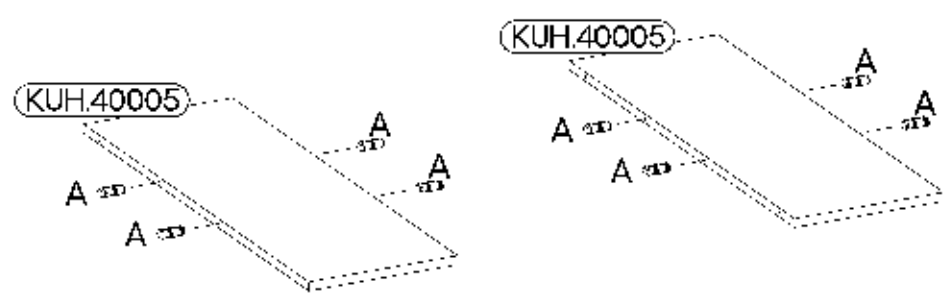
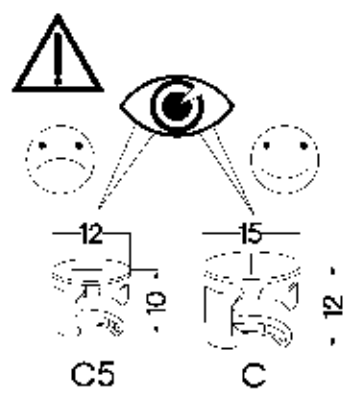
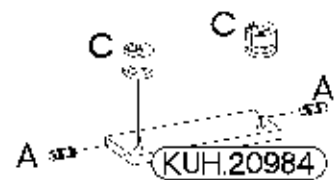
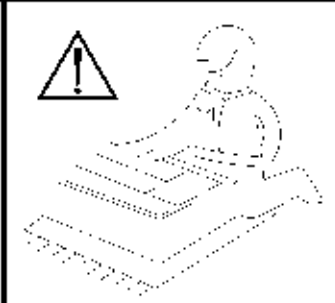
Colli	Spare Part	Dimension
Colli 1/2	KUH.40005 x2	267x485x16
	KUH.40149	299x560x16
	KUH.70992	1239x296x16
	KUH.90215 x2	515x150x16
	KUH.90216	299x150x16
	KUH.90284	267x60x16
Colli 2/2	KUH.10445	1945x560x16
	KUH.10446	1945x560x16
	KUH.30038 x2	266x430x16
	KUH.60272	1953x285x2,5
	KUH.60273 x2	448x237x2,5
	KUH.70993	683x296x16
	WST.0109 x2	450x140x12
	WST.0110 x2	450x140x12
WST.0114 x2	227x140x12	

L=450mm	M2	D2
2	16	2





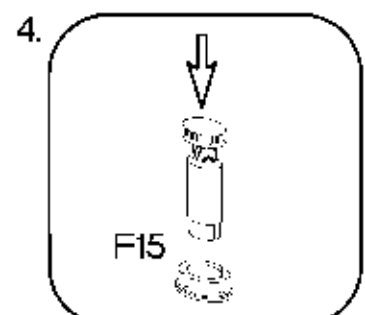
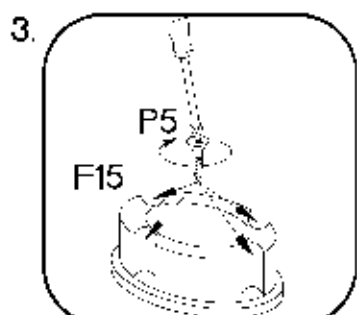
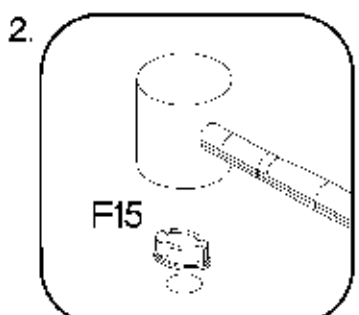
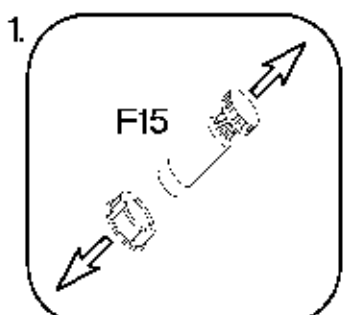
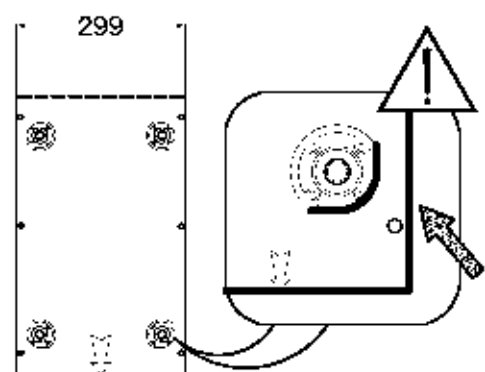
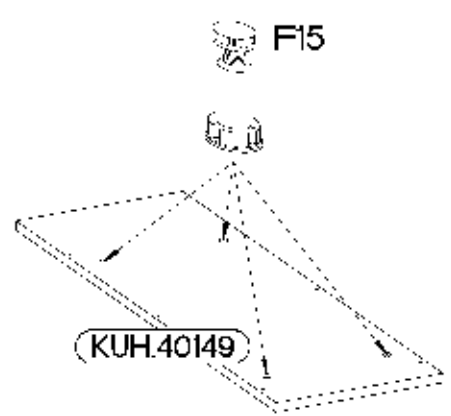
2

Ø8x30mm	Ø15/12mm
	
A	C
10	2

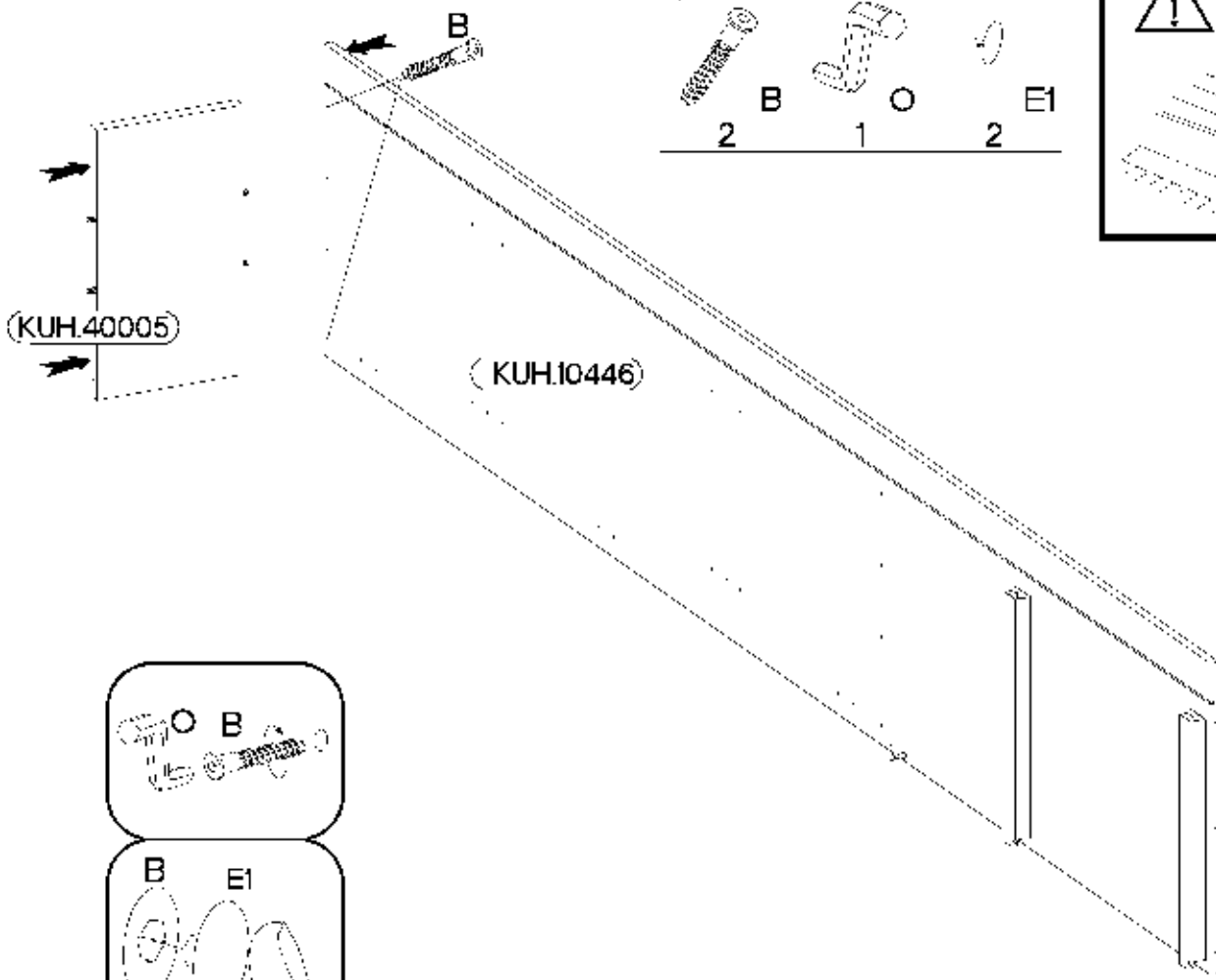


3

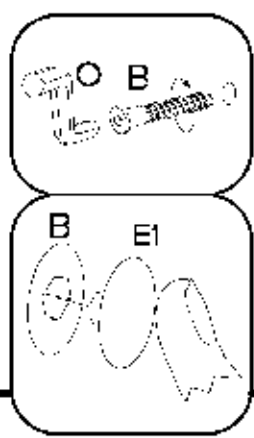
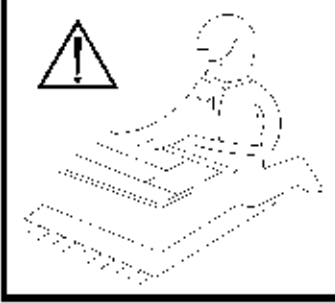
Ø3.5x13mm	L-185-170cm
	
P5	F15
16	4



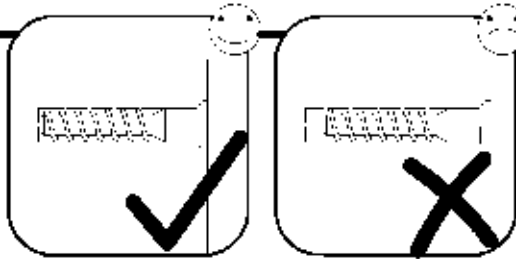
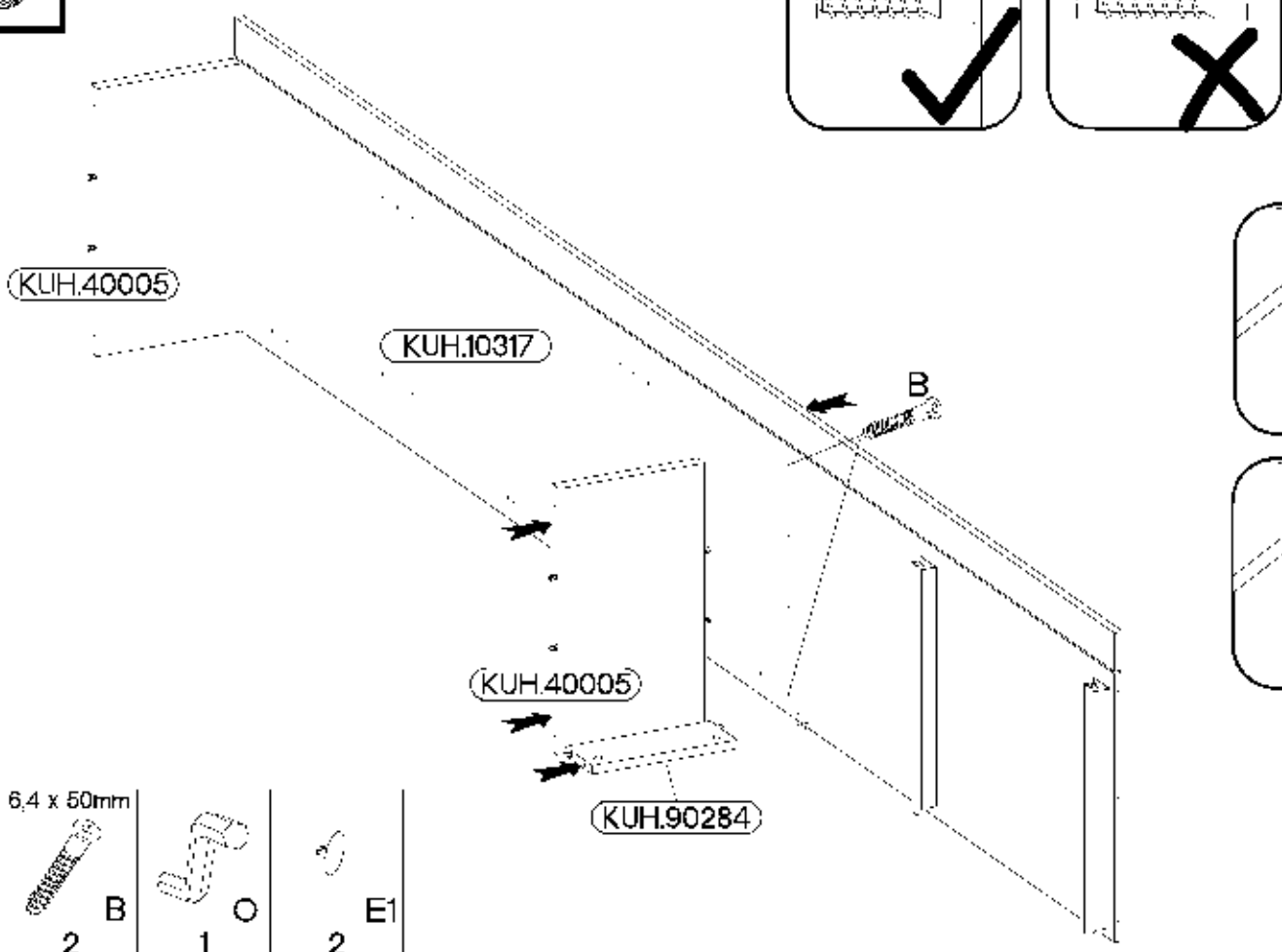
4



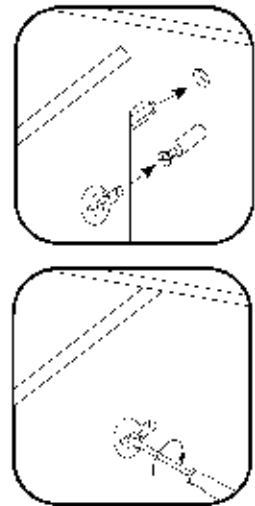
- 6,4 x 50mm
- B
  - O
  - E1
- 2      1      2



5



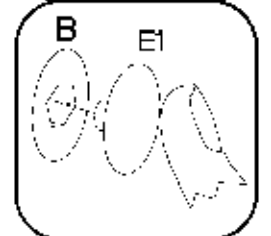
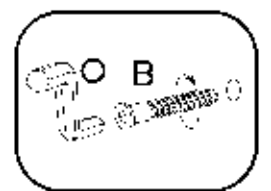
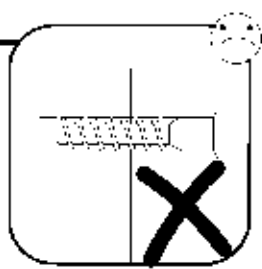
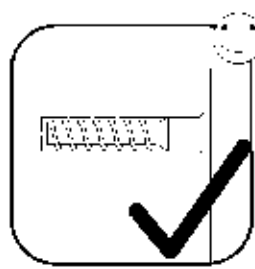
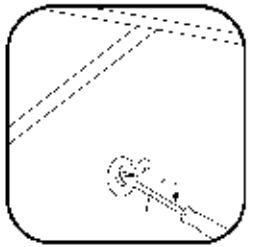
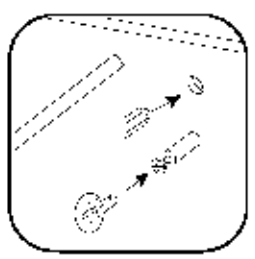
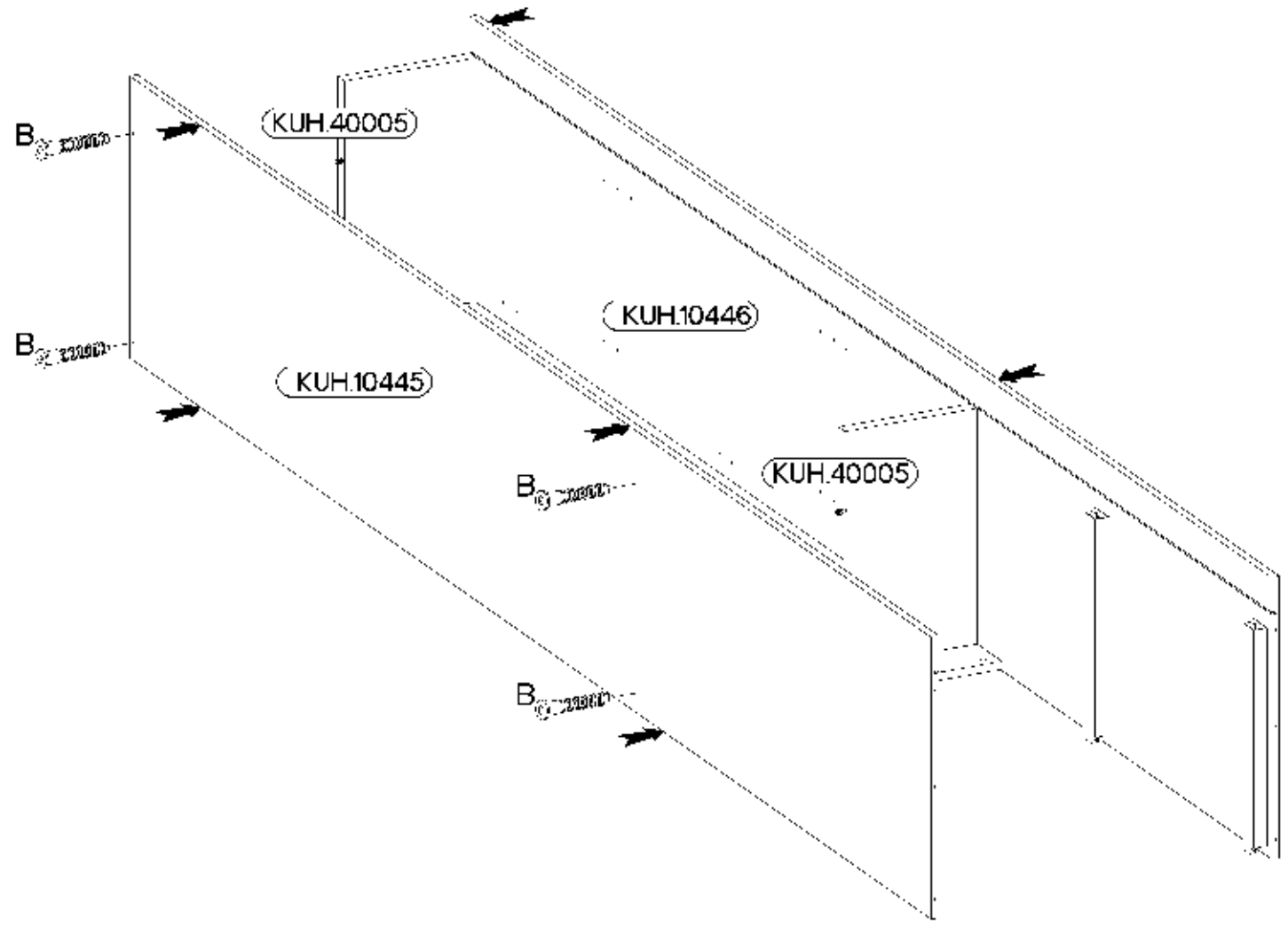
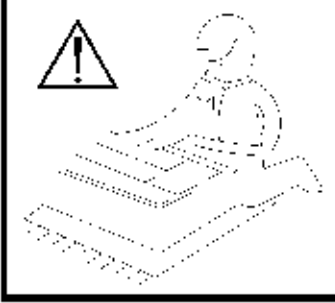
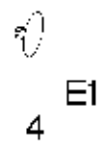
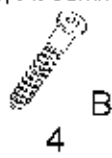
- 6,4 x 50mm
- B
  - O
  - E1
- 2      1      2





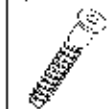
6

6,4 x 50mm



7

6,4 x 50mm



B

6



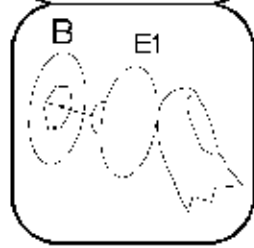
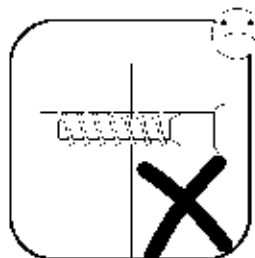
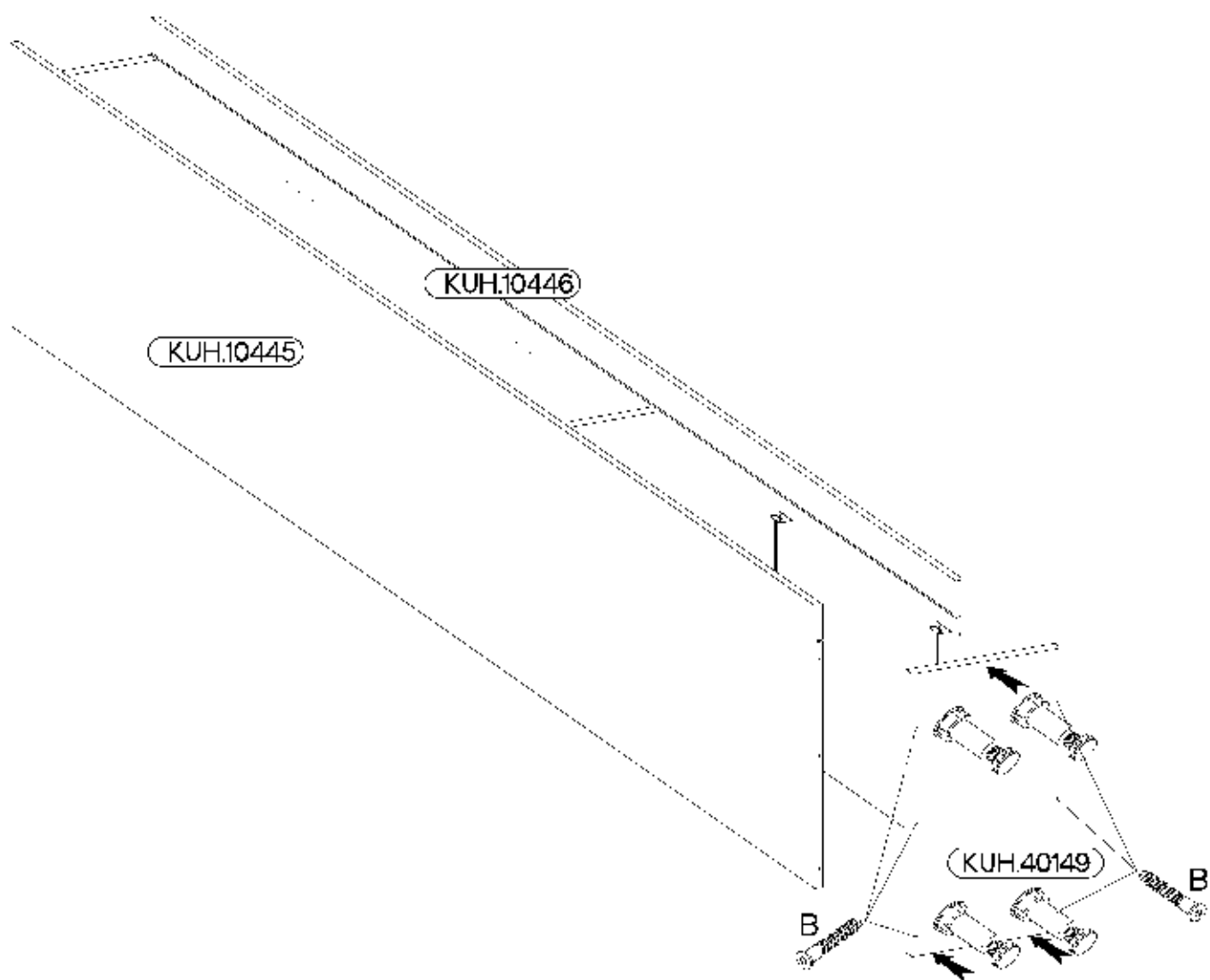
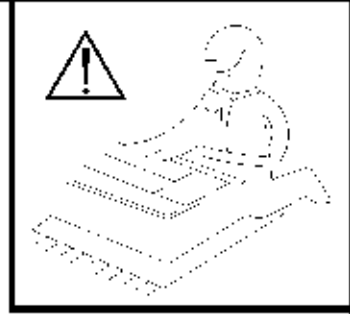
O

1

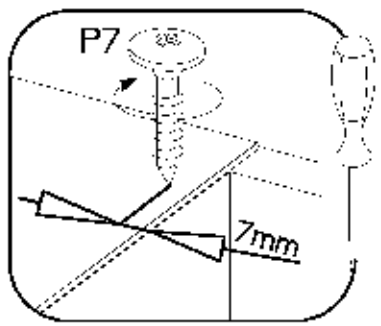
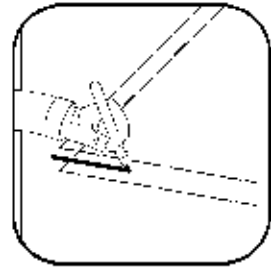
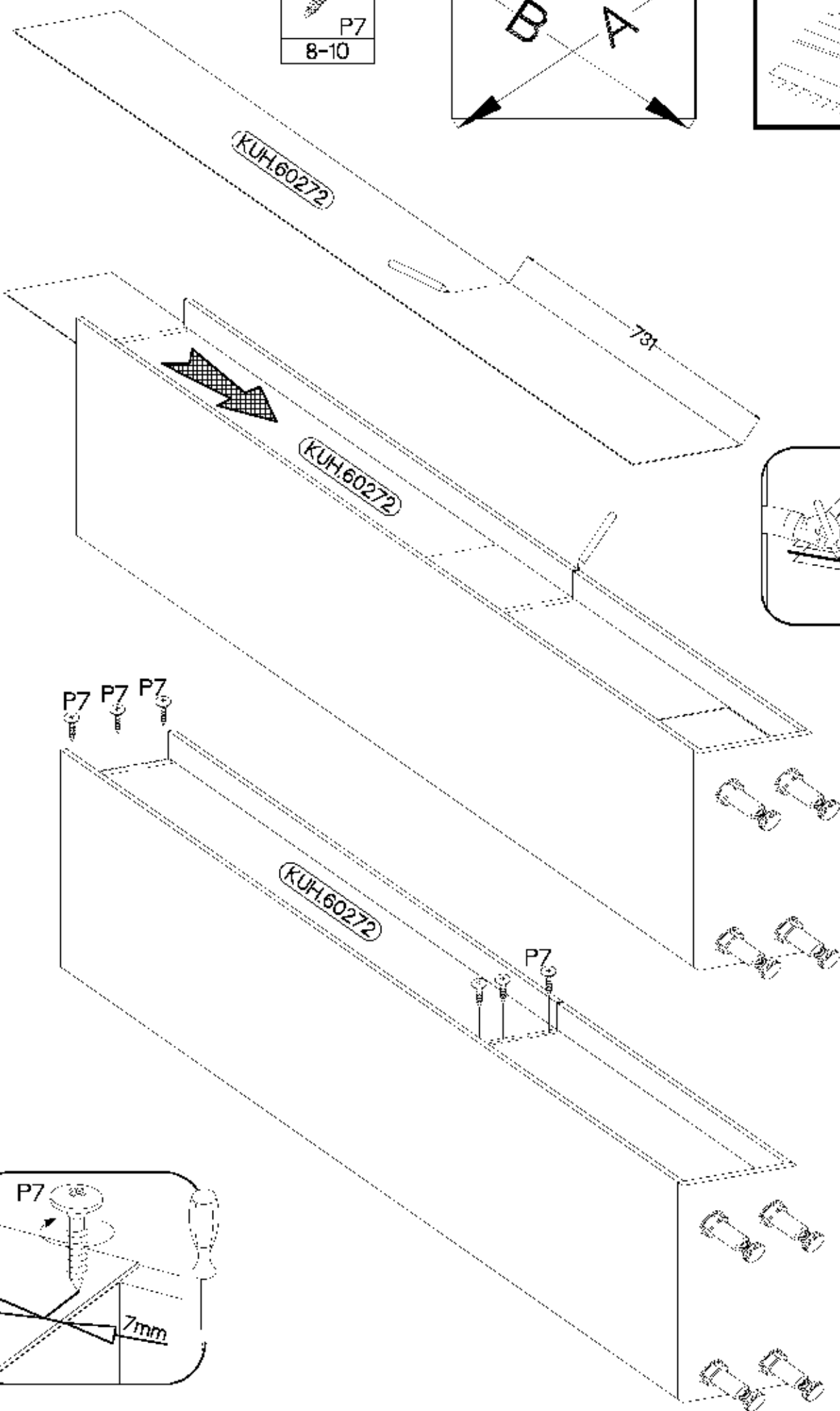
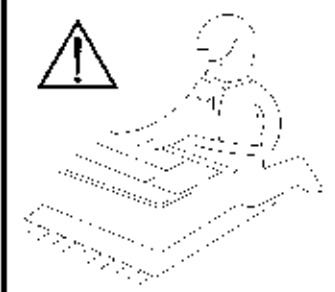
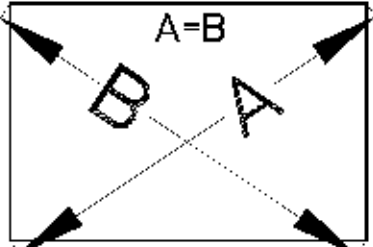


E1

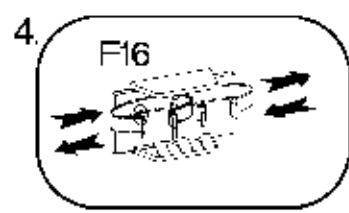
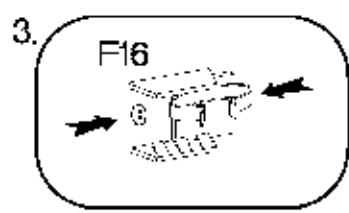
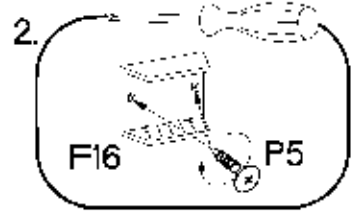
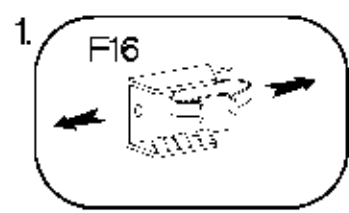
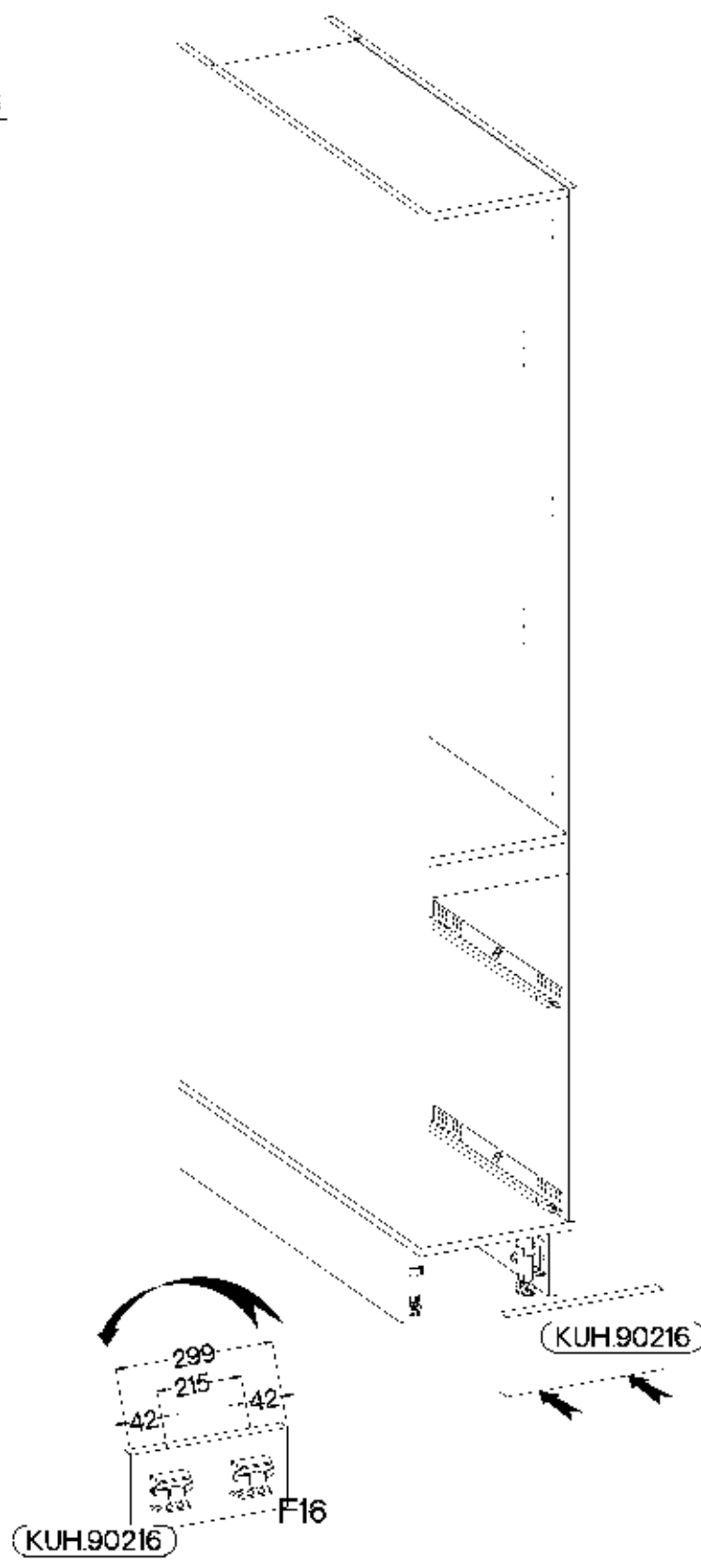
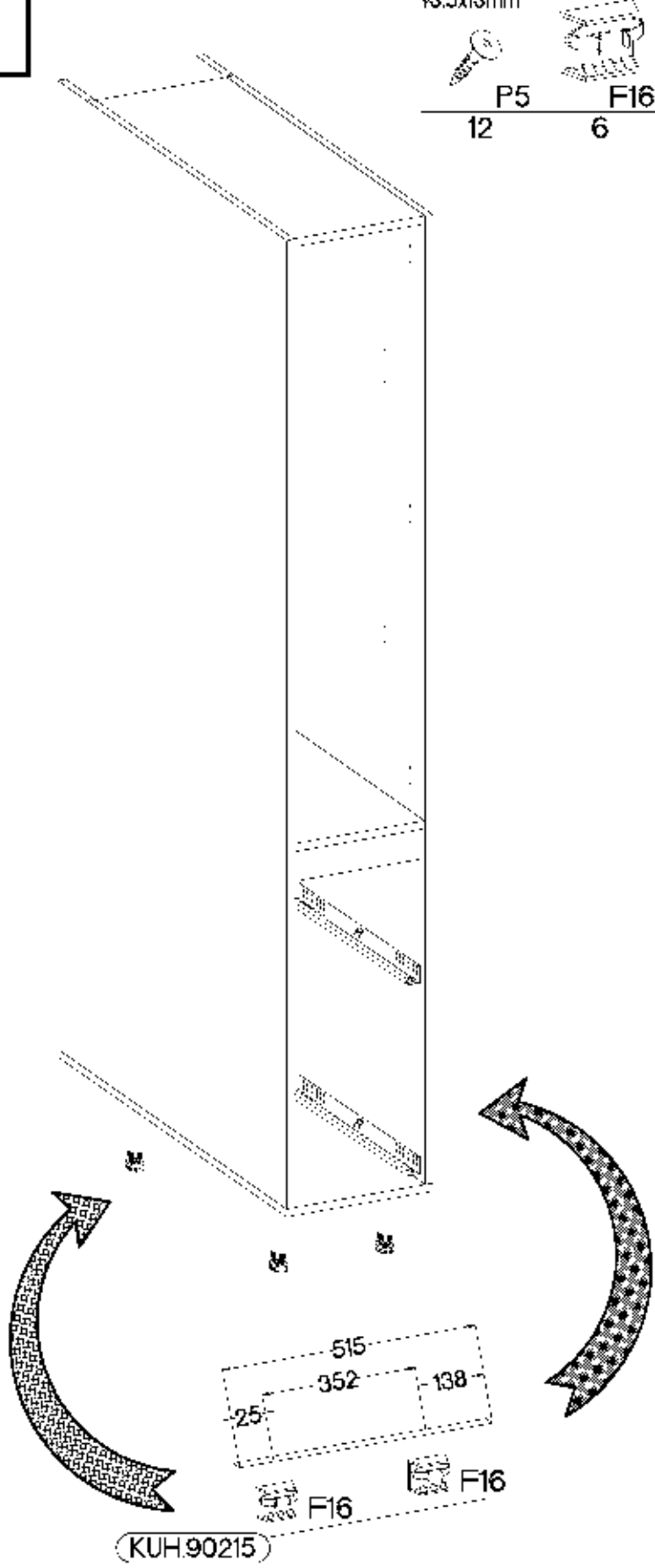
6





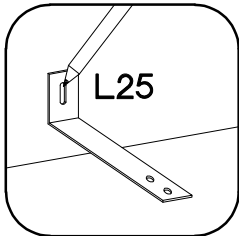
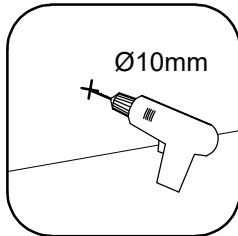
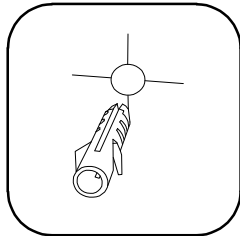
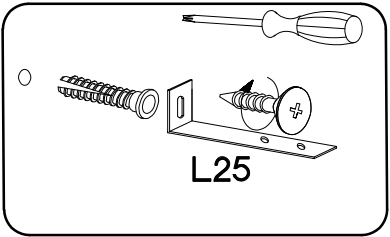
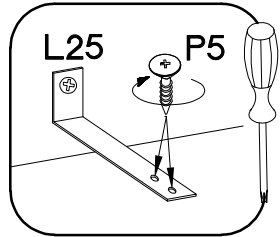
Ø3.0x20mm  
P7  
8-10

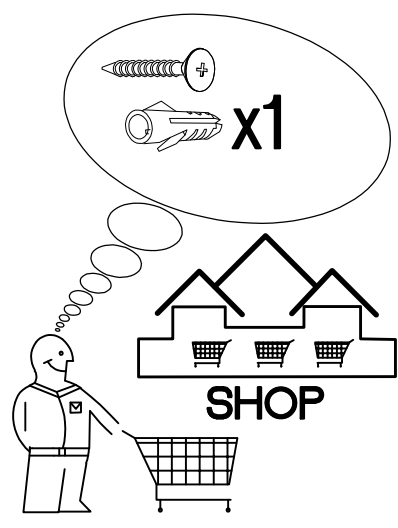
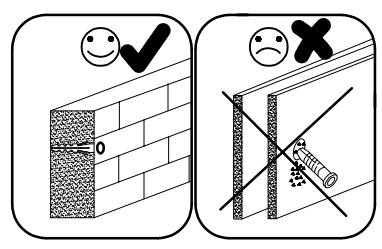
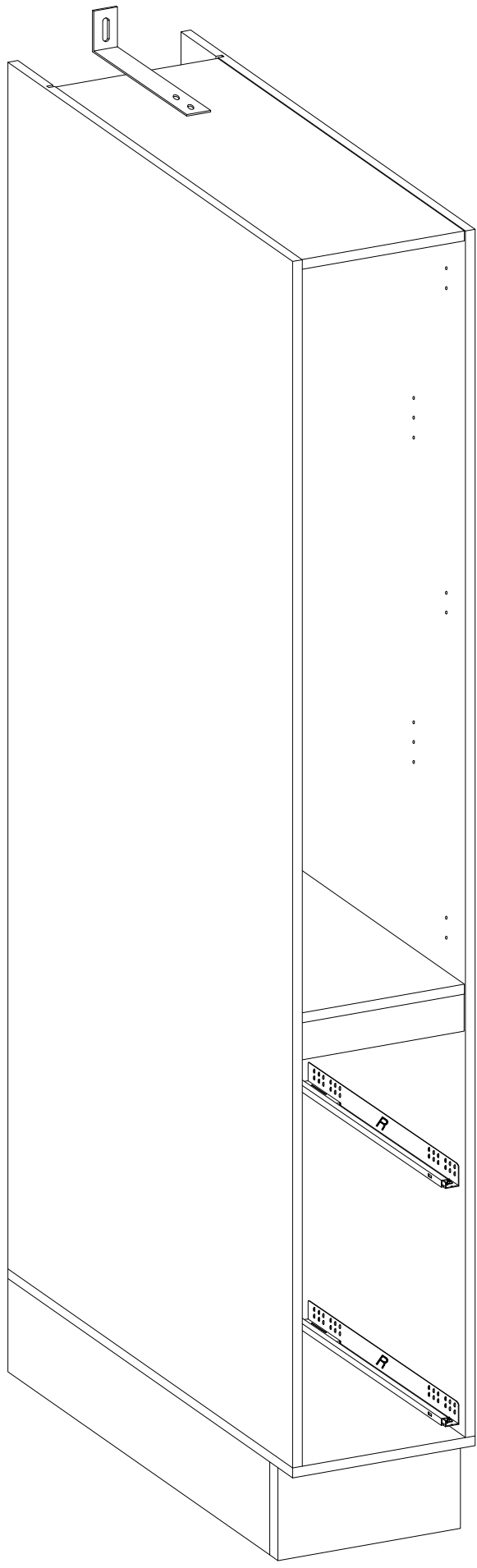


φ3.5x19mm  
 P5      F16  
 12      6



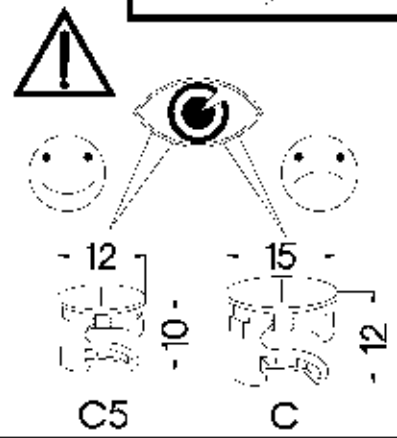
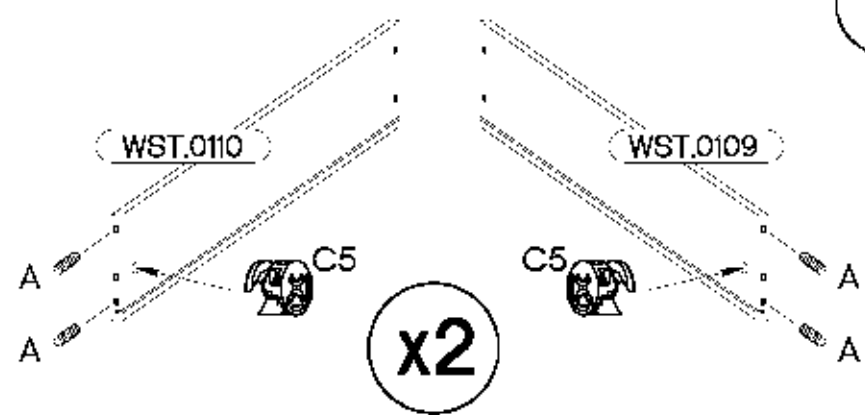
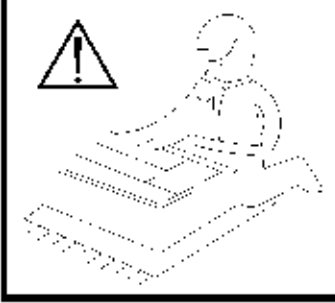
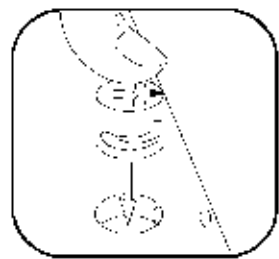
120x30x15mm	3.5x13mm
	
L25	P5
1	2

- 
- 
- 
- 
- 

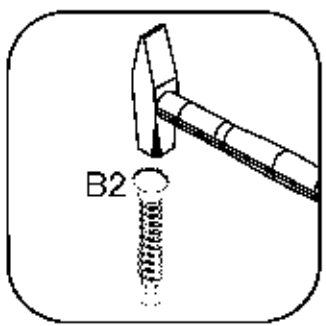


11

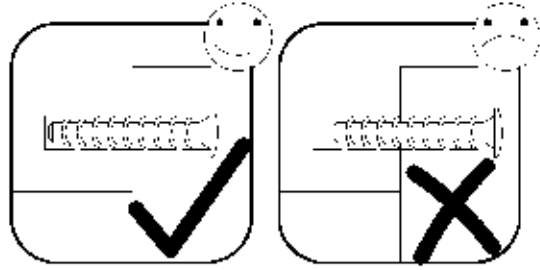
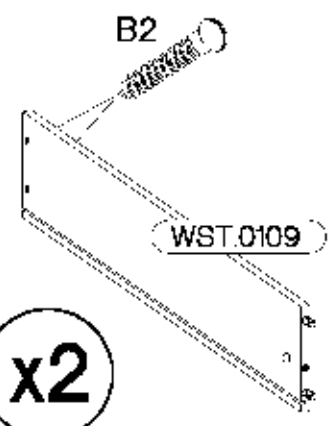
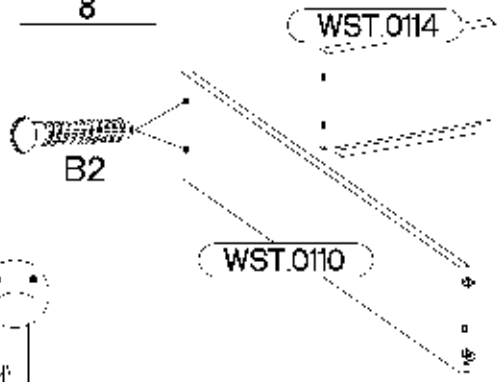
#12/10mm  
C5 4  
#8x30mm  
A 8



12

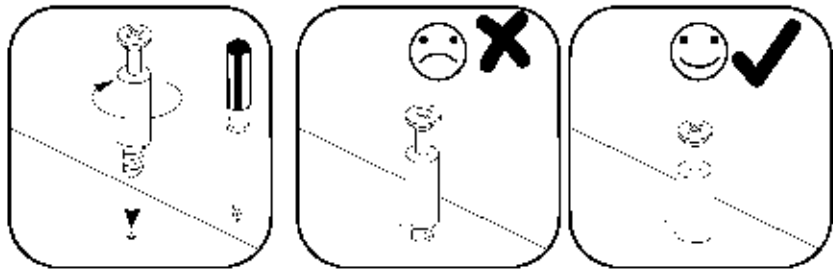
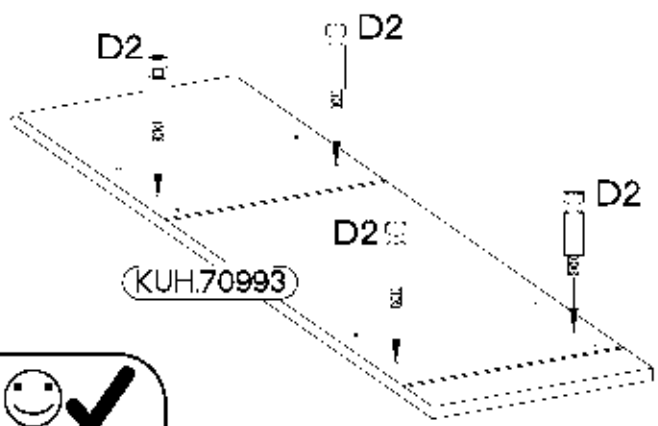


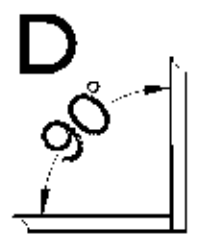
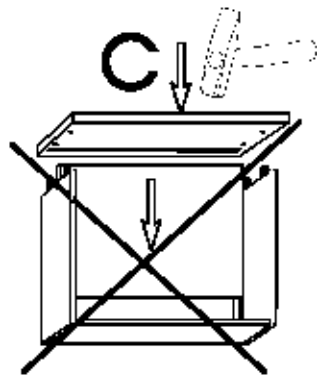
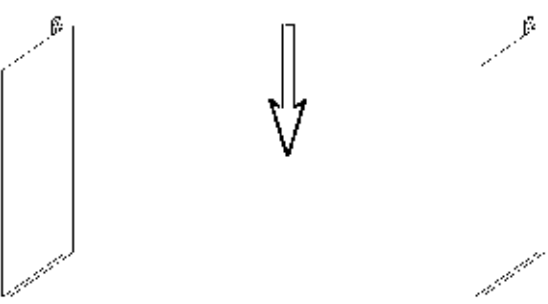
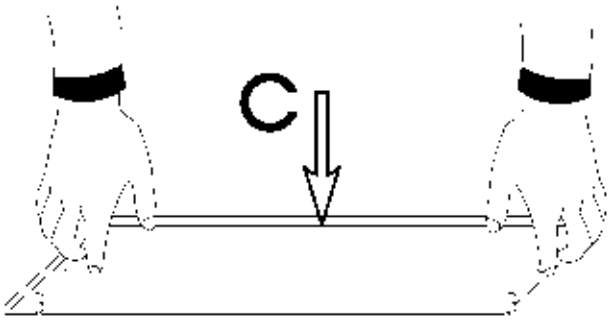
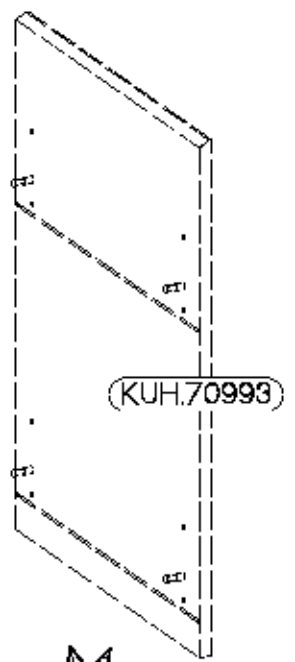
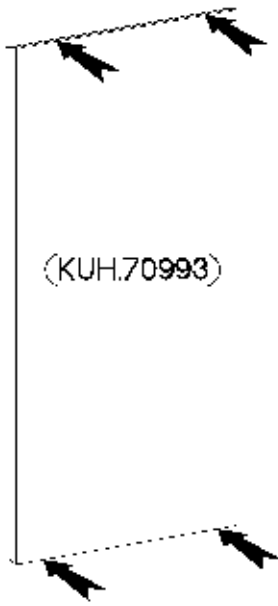
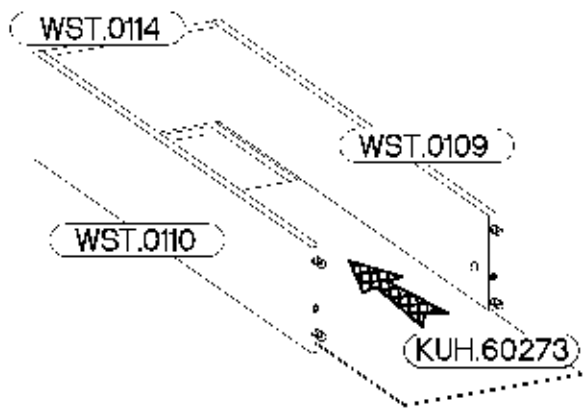
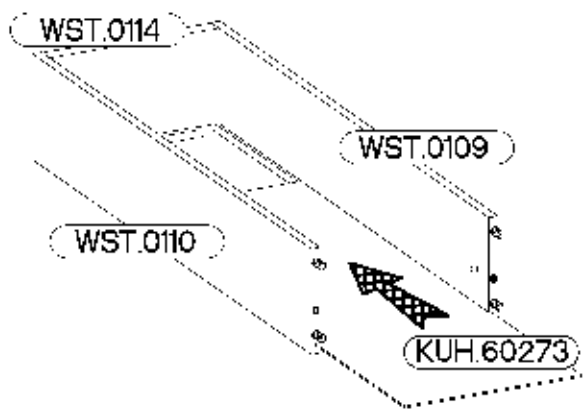
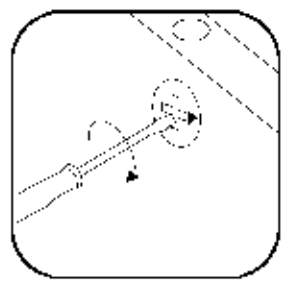
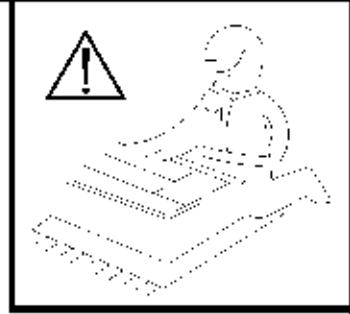
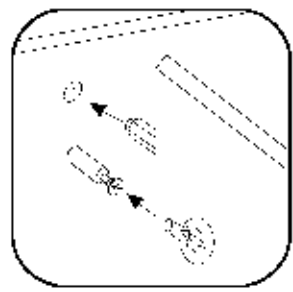
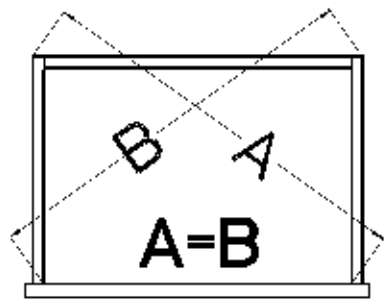
#6x42mm  
B2 8




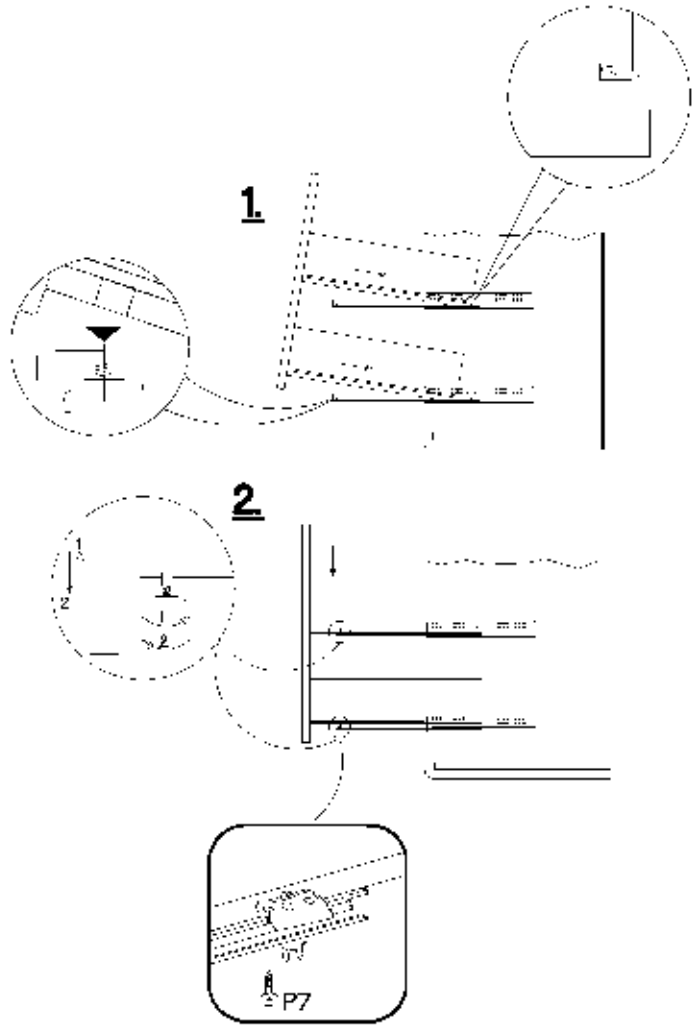
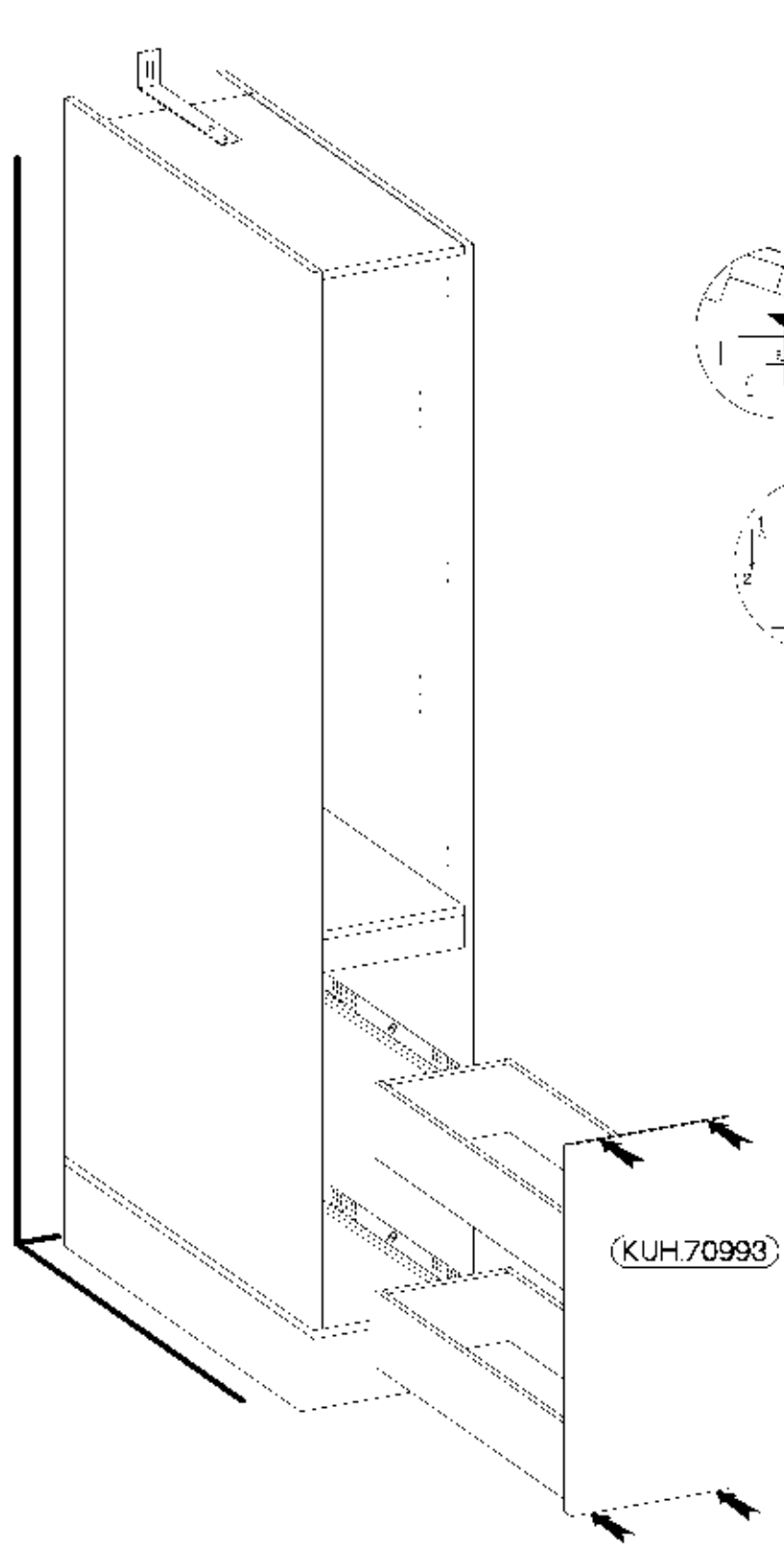
13

L=20mm  
D2 4



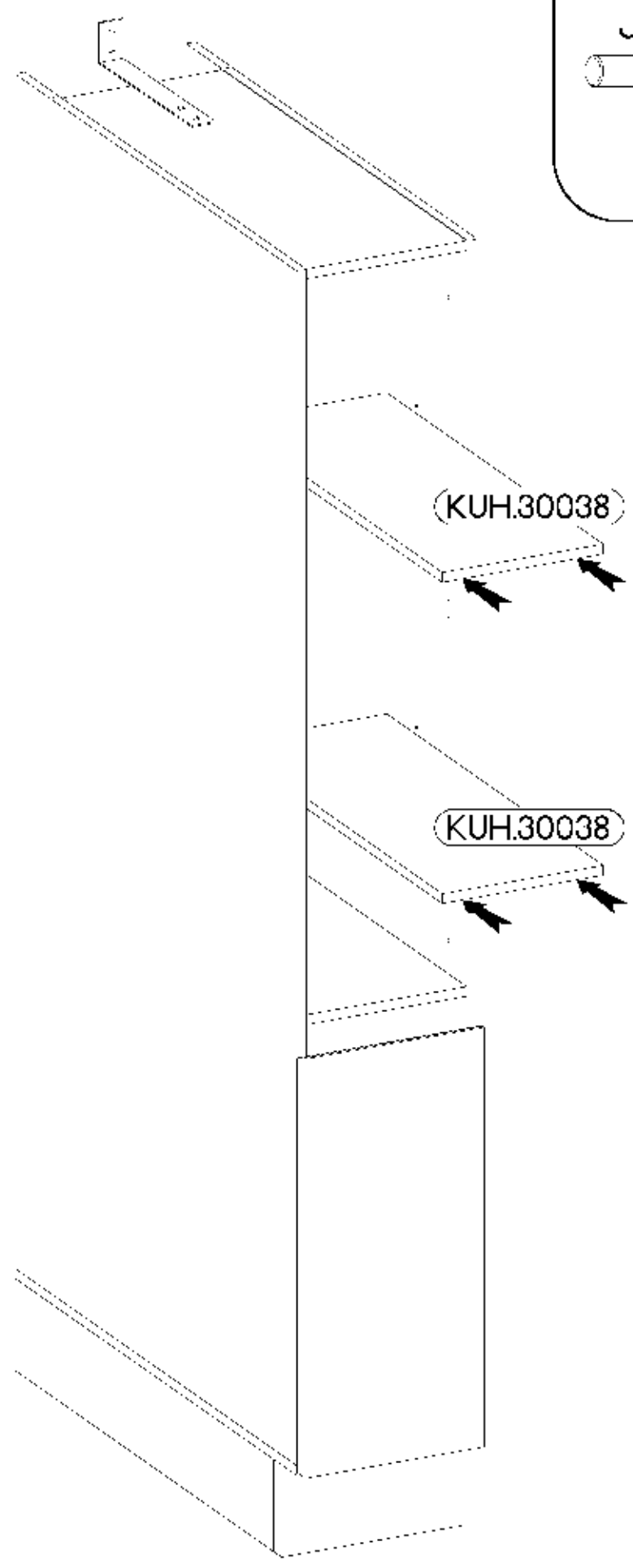
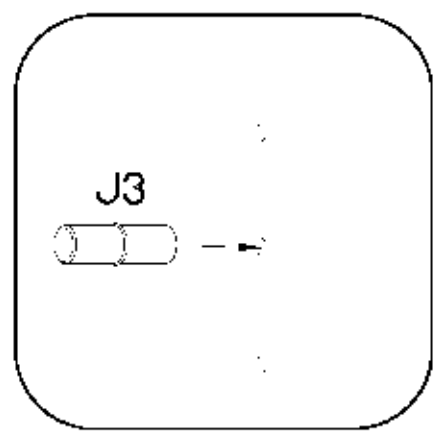


3.0x20mm

P7
4





t5/t6mm  
J3  
8





±35/0mm ±3.5x13mm ±35mm



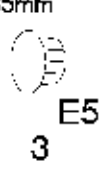
HG

3



P5

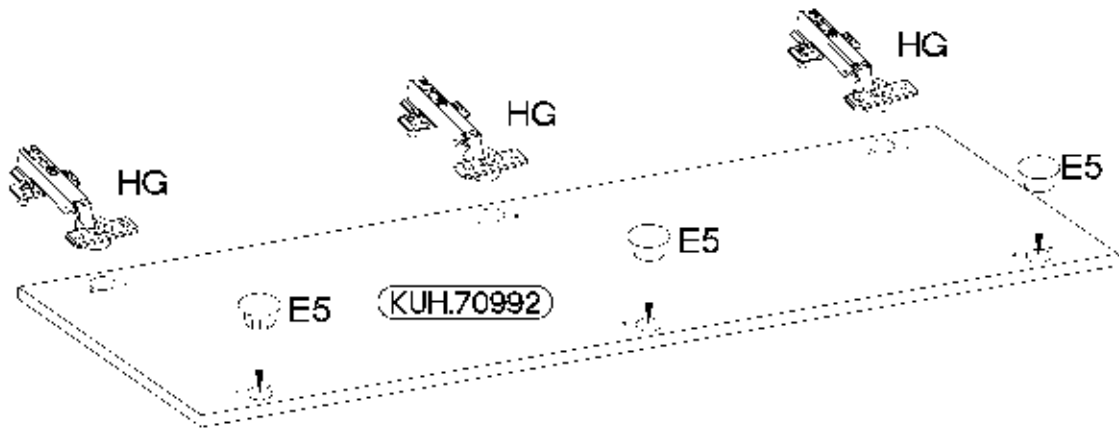
6



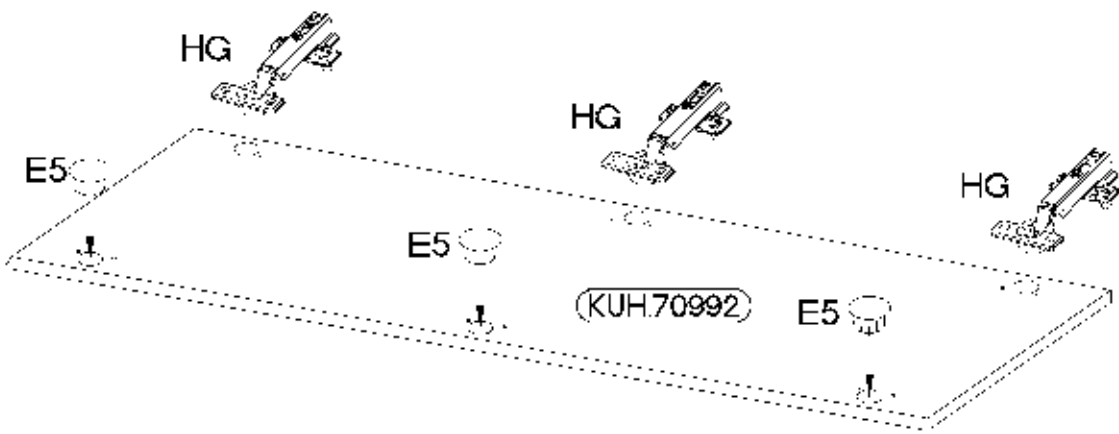
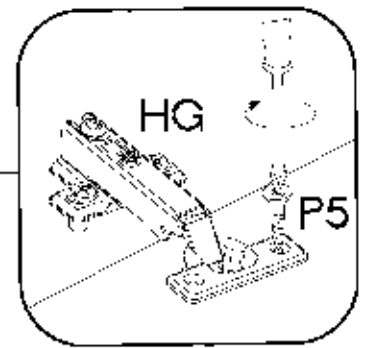
E5

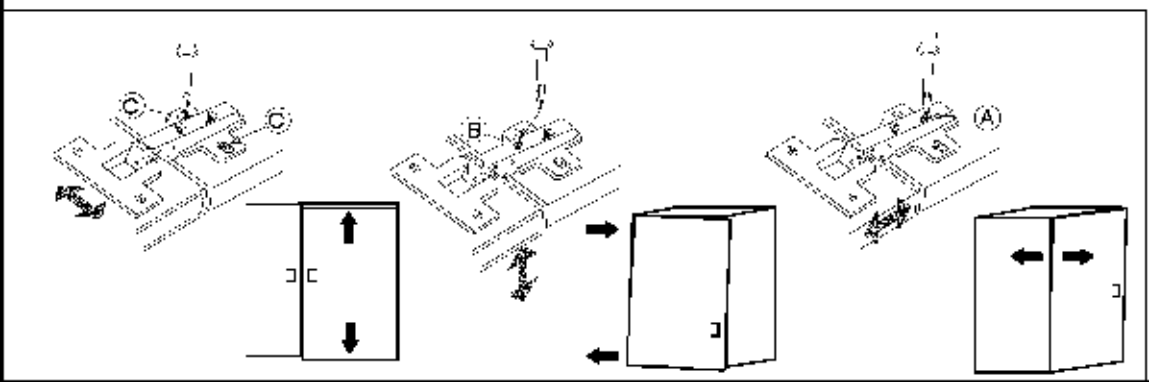
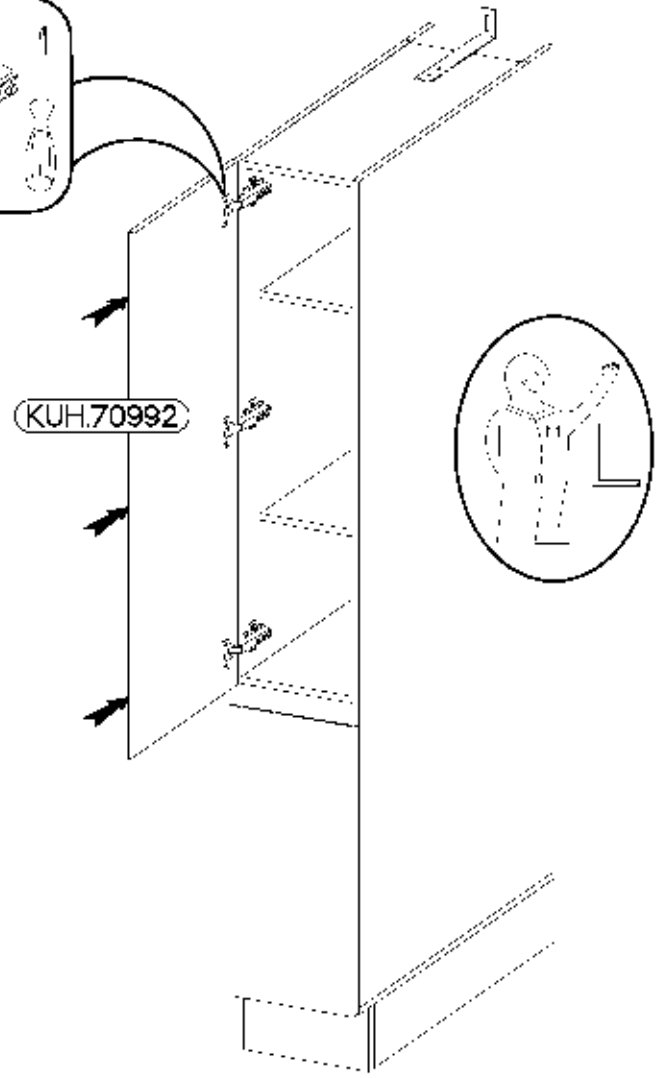
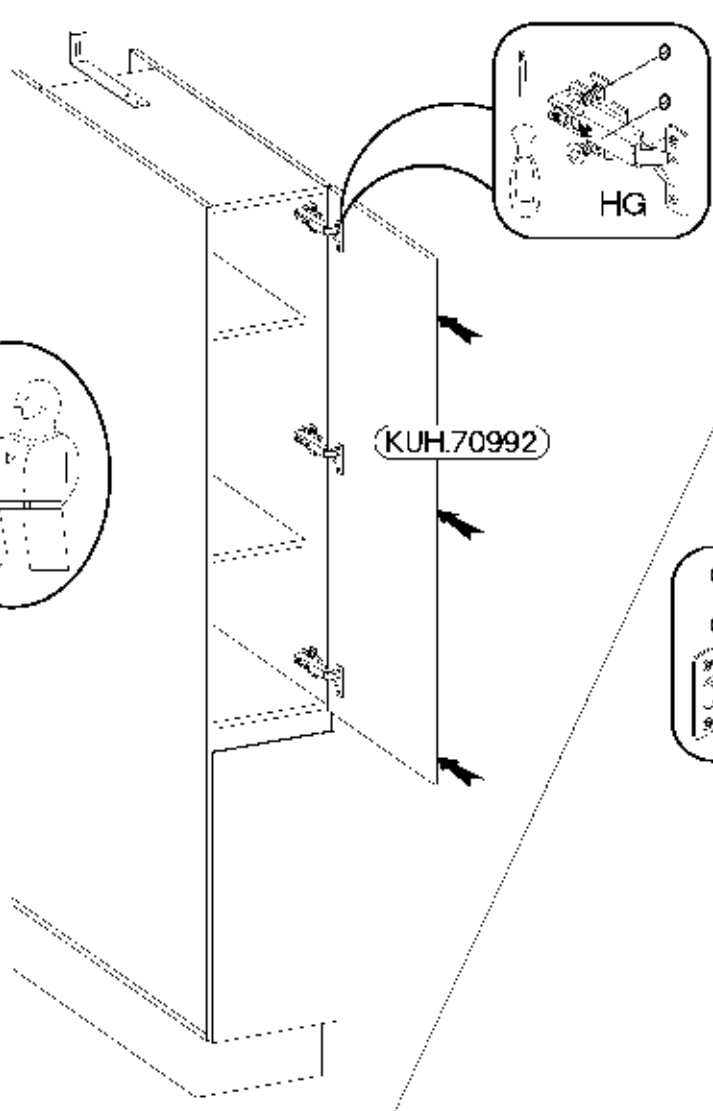
3

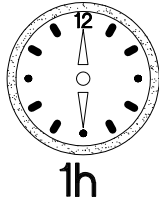
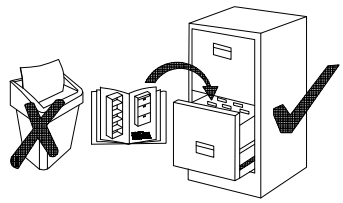
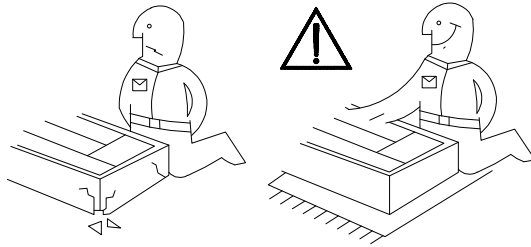
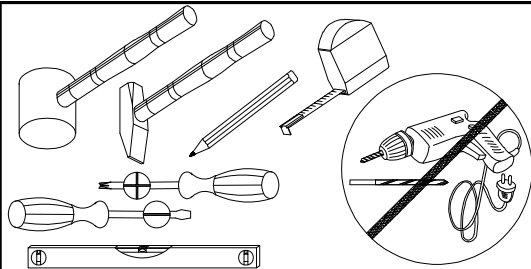
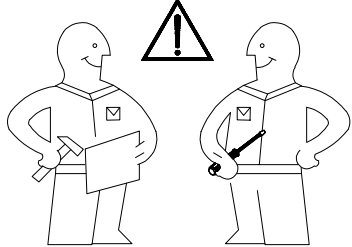
# RIGHT



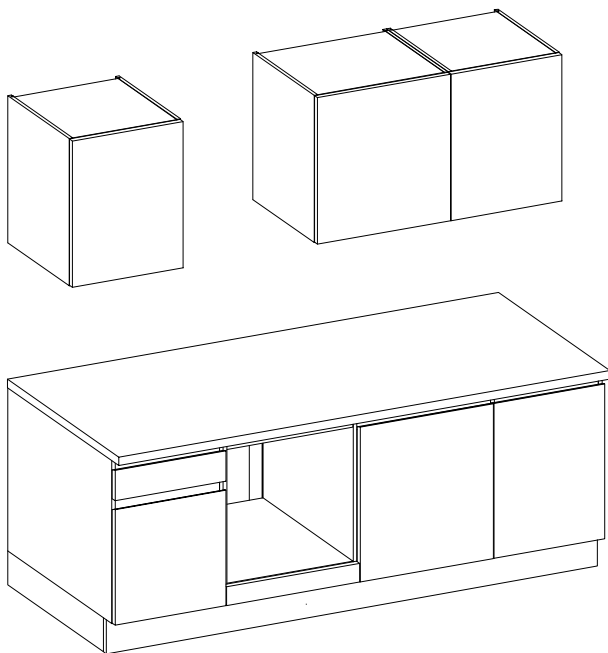
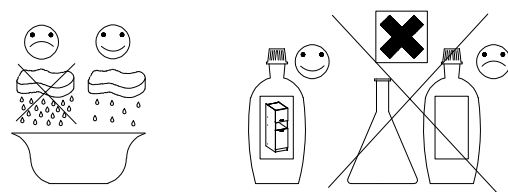
# LEFT



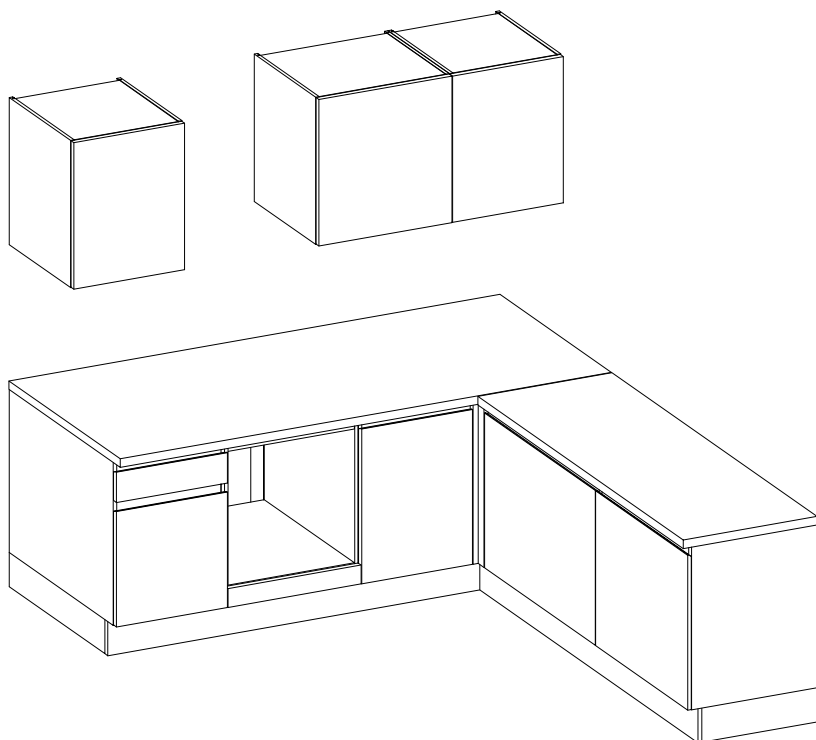




84-200-...  
ADANA  
Zeile 200  
APL

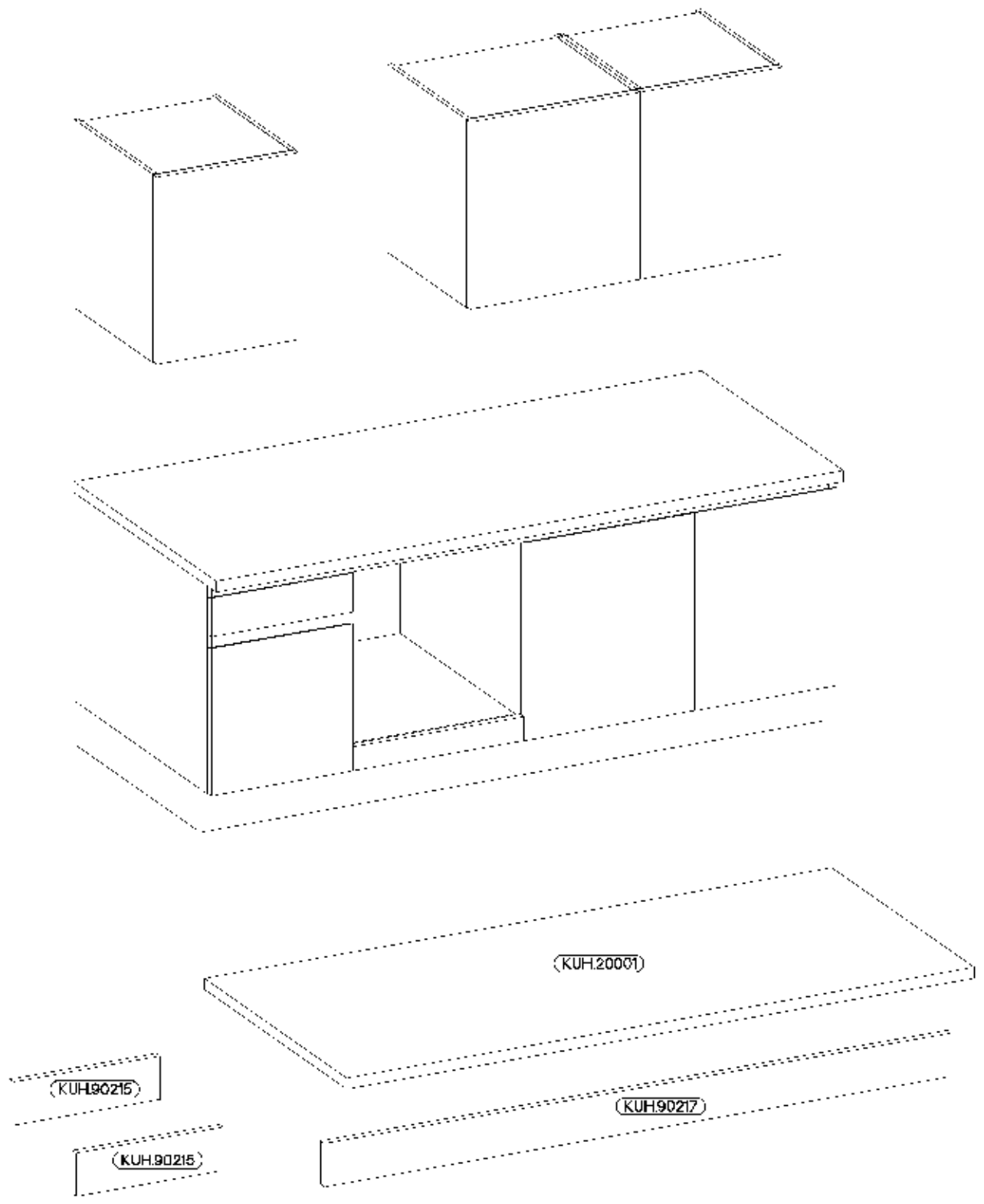


VARIANT 1



VARIANT 2

# VARIANT 1



Colli	Spare Part	Dimension
Colli 6/6	KUH.20001	2200x600x38
	KUH.90215 x2	515x150x16
	KUH.90217	2199x150x16

1

43.5x13mm



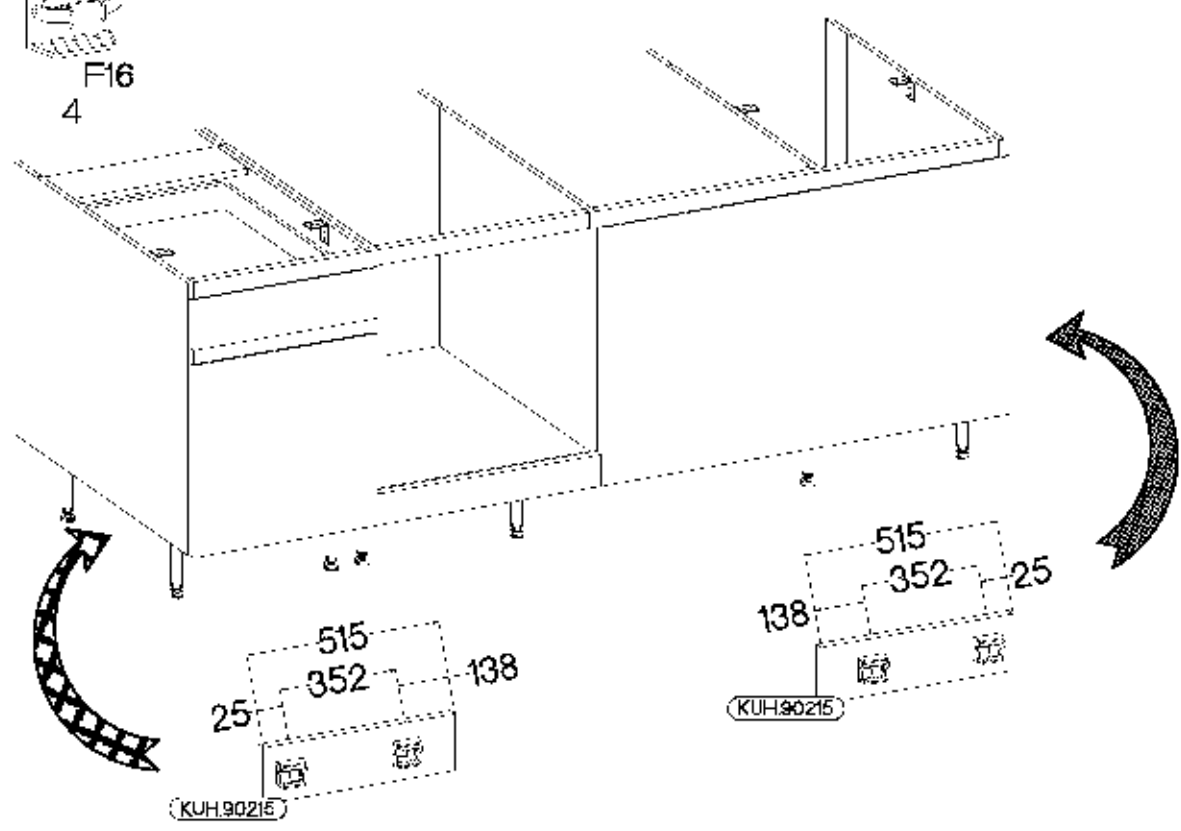
P5

8



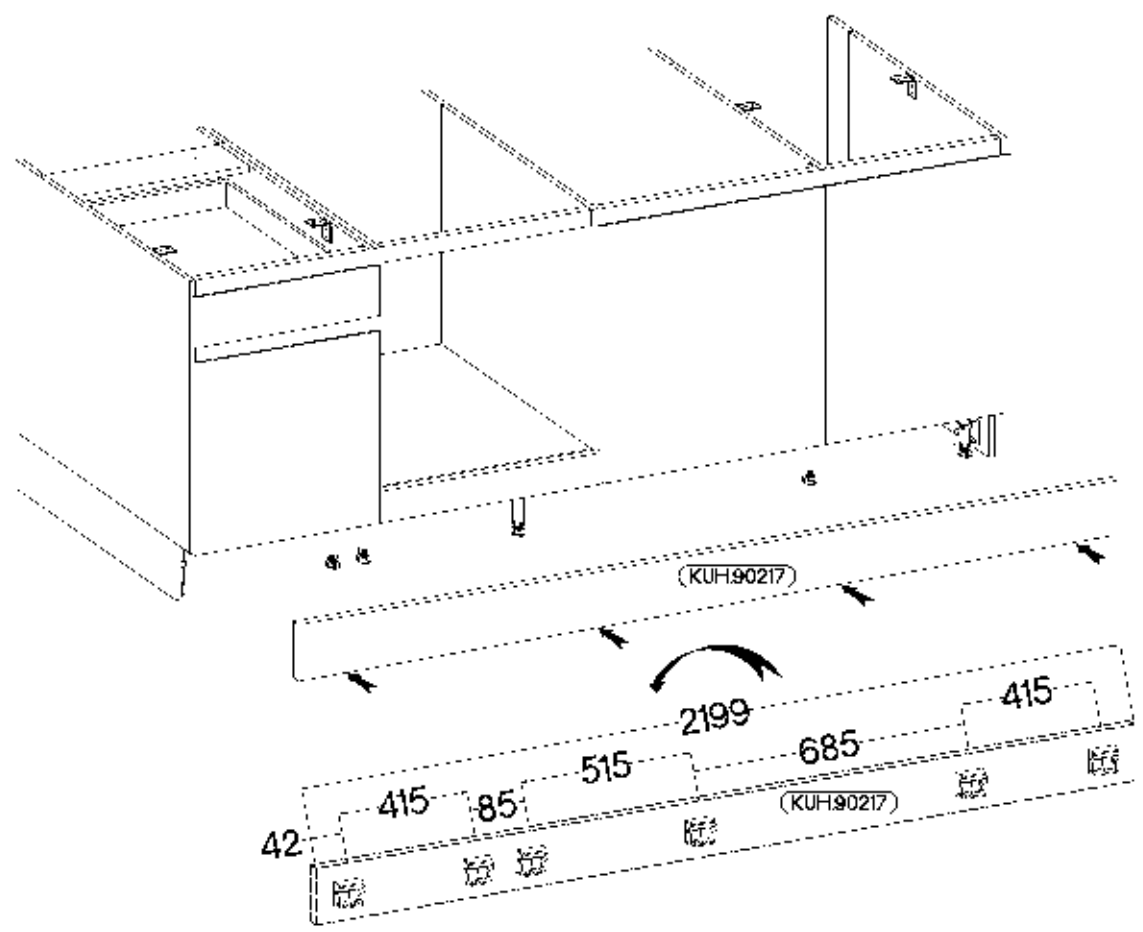
F16

4



2

1. F16
2. F16 P5
3. F16
4. F16



43.5x13mm



P5

12



F16

6

3

~4.0x35mm +3.5x13mm



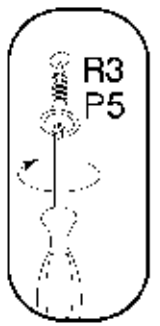
R3

2

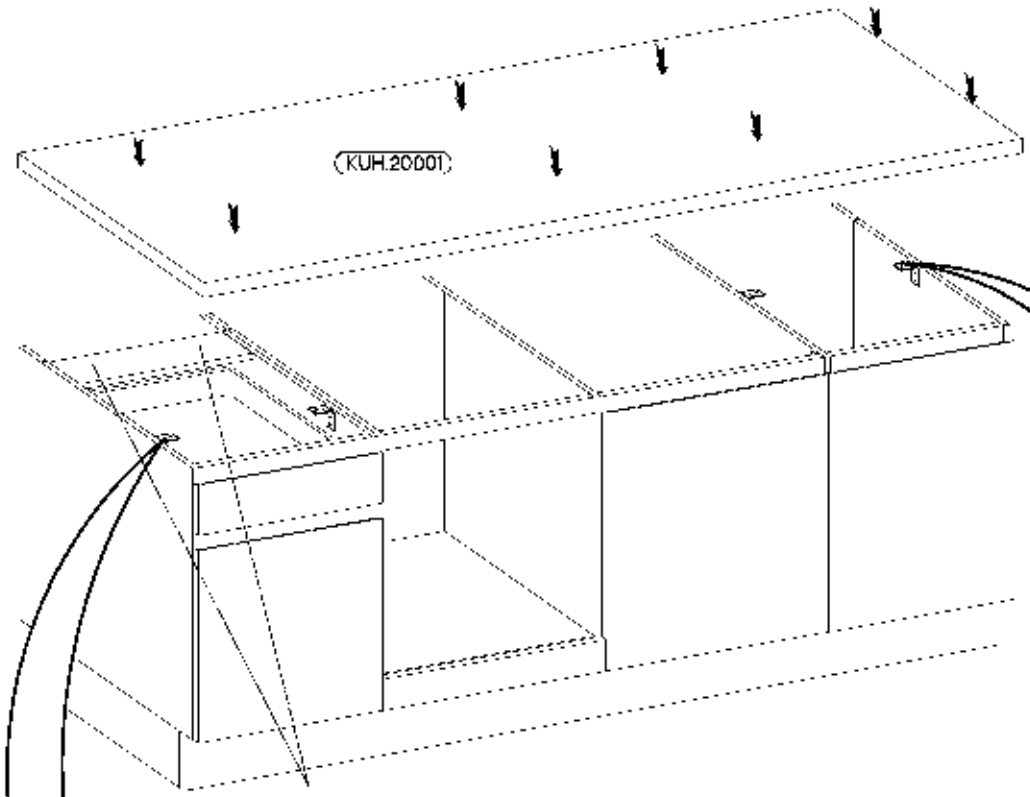


P5

8

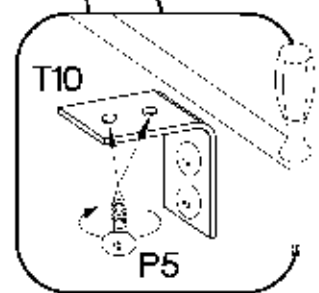


R3  
P5



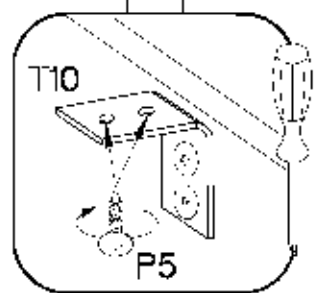
(KUH.20001)

R3



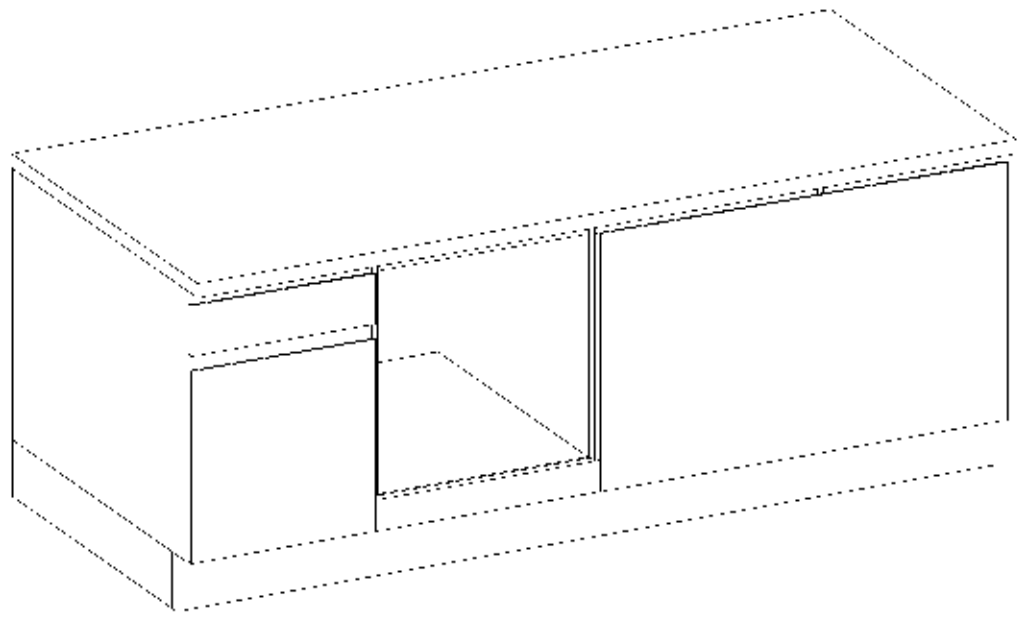
T10

P5

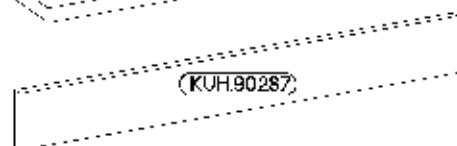
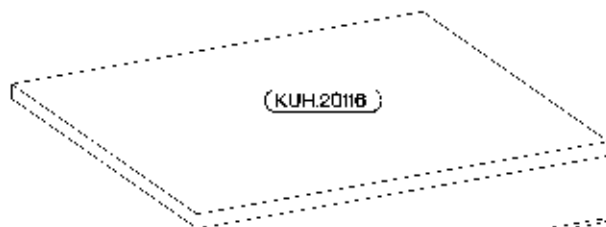
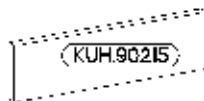
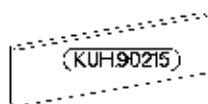
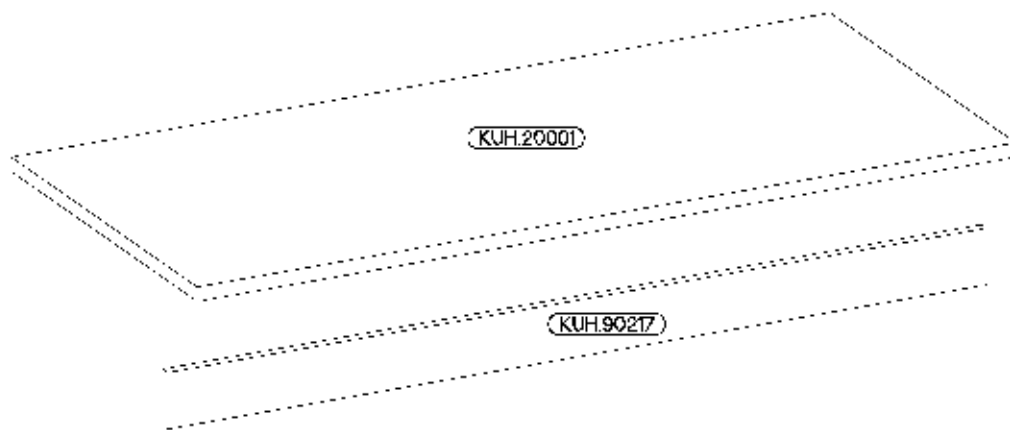
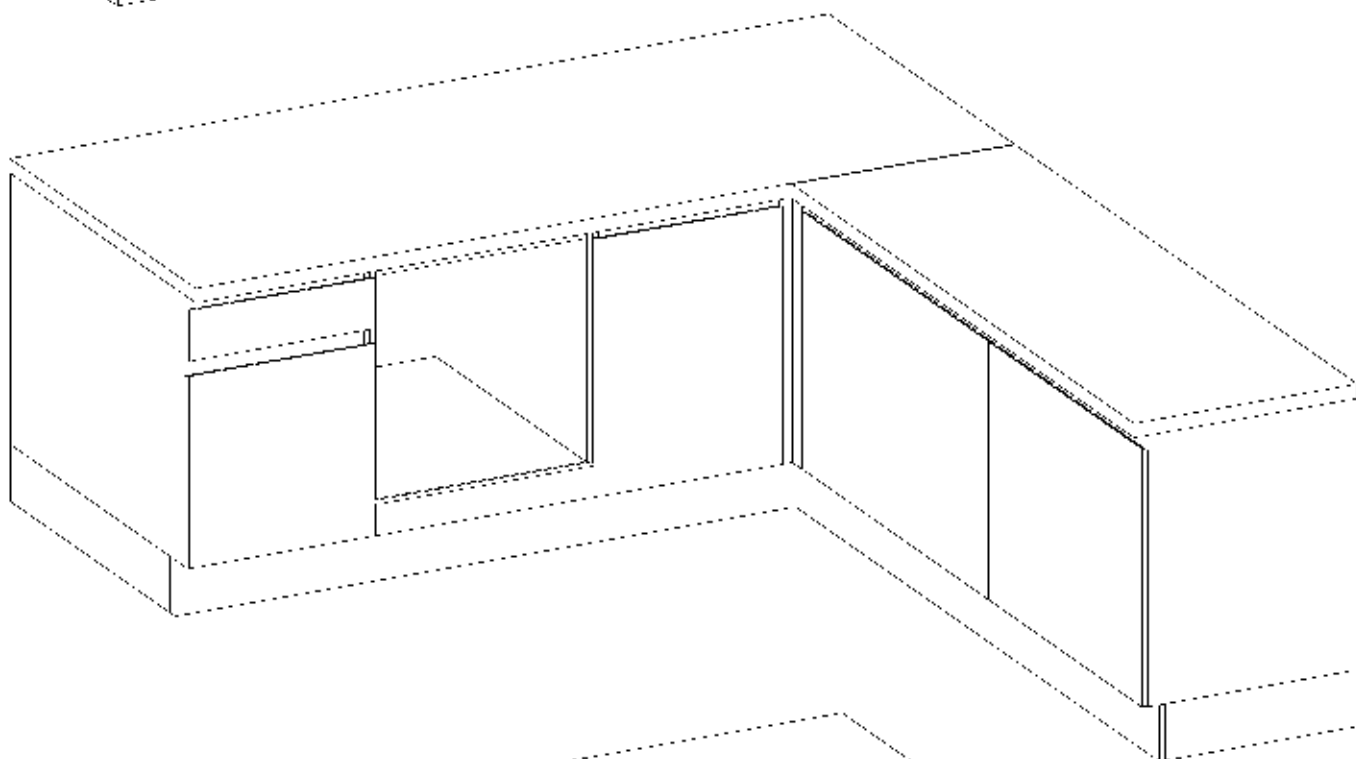
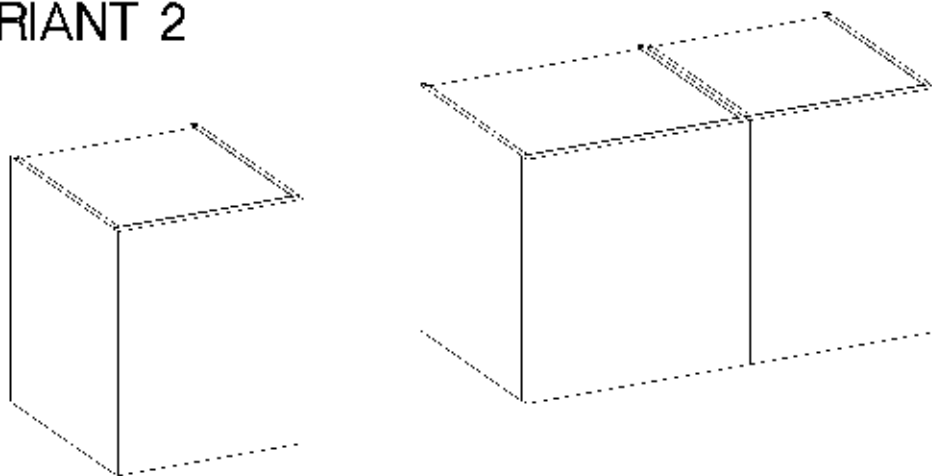


T10

P5



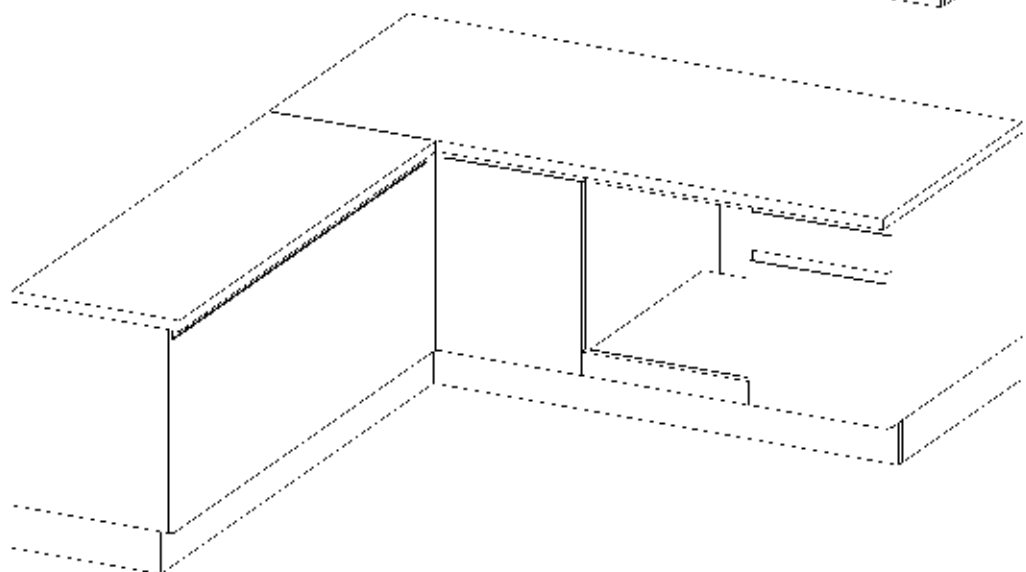
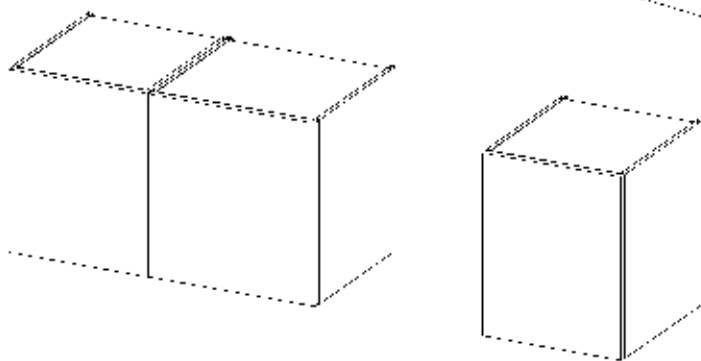
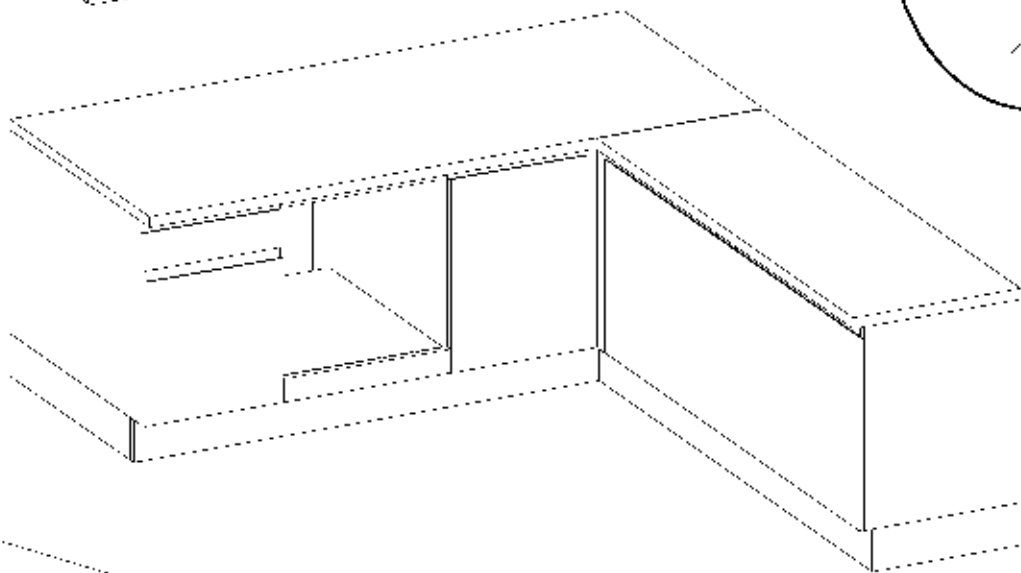
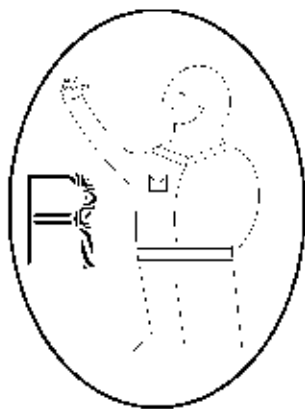
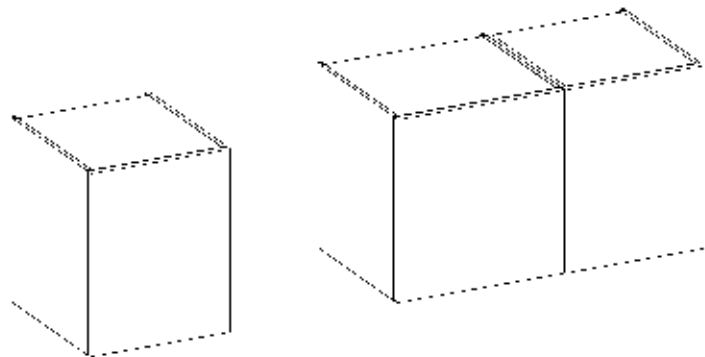
# VARIANT 2



Colli	Spare Part	Dimension
Colli 2/2	KUH.20116	1105x600x38
	KUH.90287	1176x150x16

Colli	Spare Part	Dimension
Colli 6/6	KUH.20001	2200x600x38
	KUH.90215 x2	515x150x16
	KUH.90217	2199x150x16





4

3.5x13mm



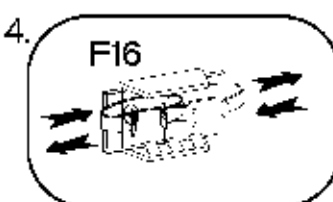
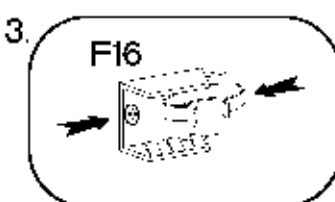
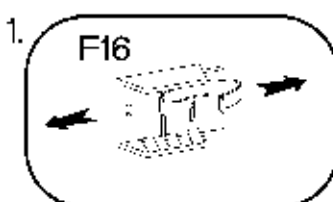
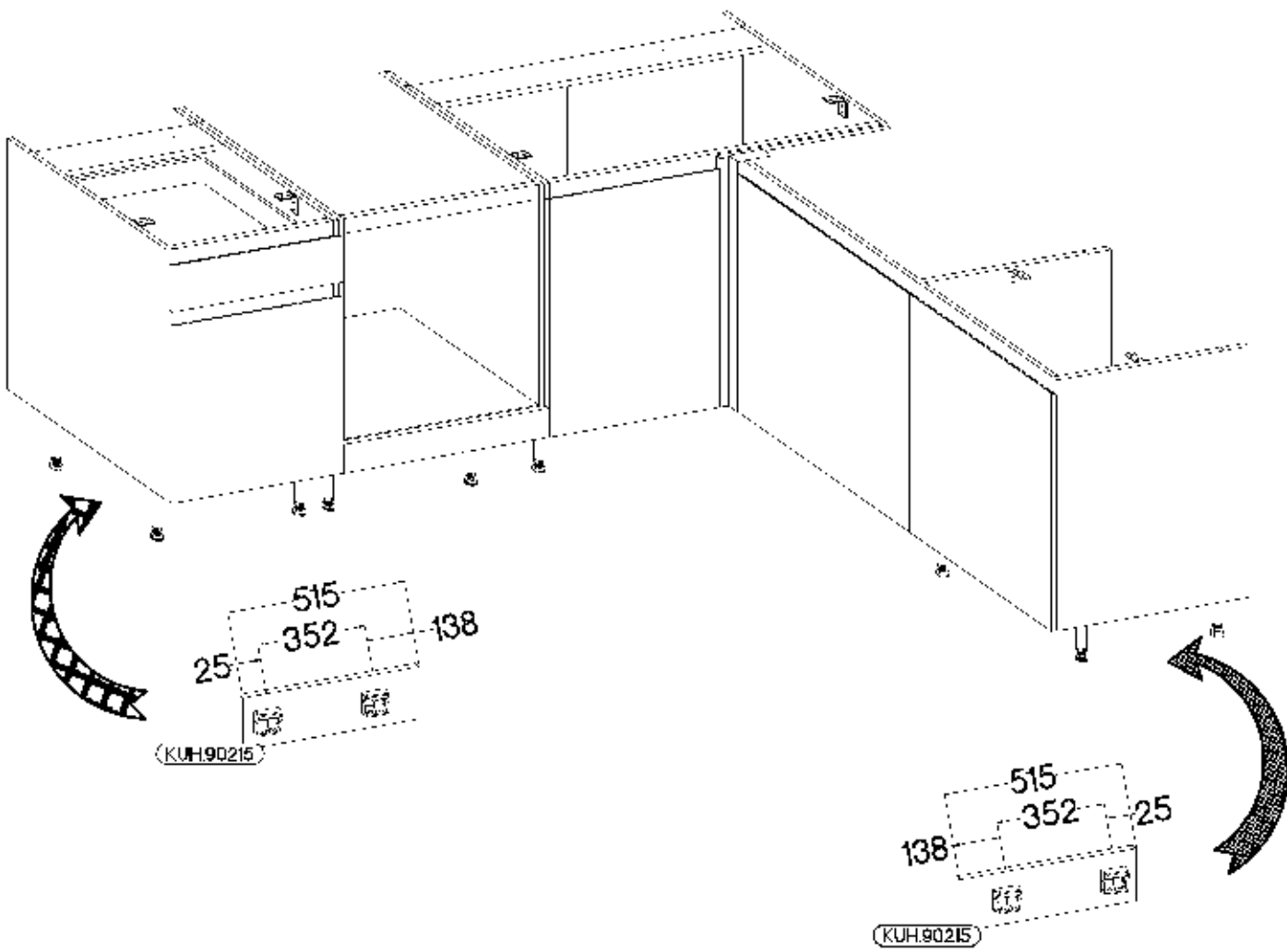
P5

8



F16

4



5

-3.5x13mm



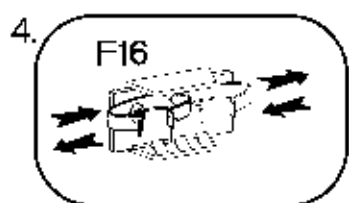
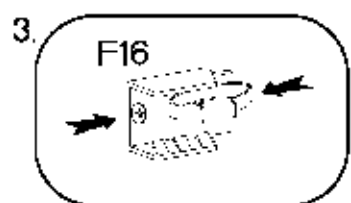
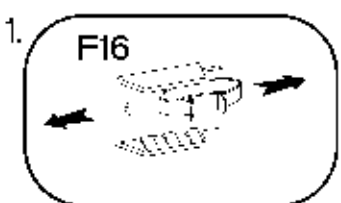
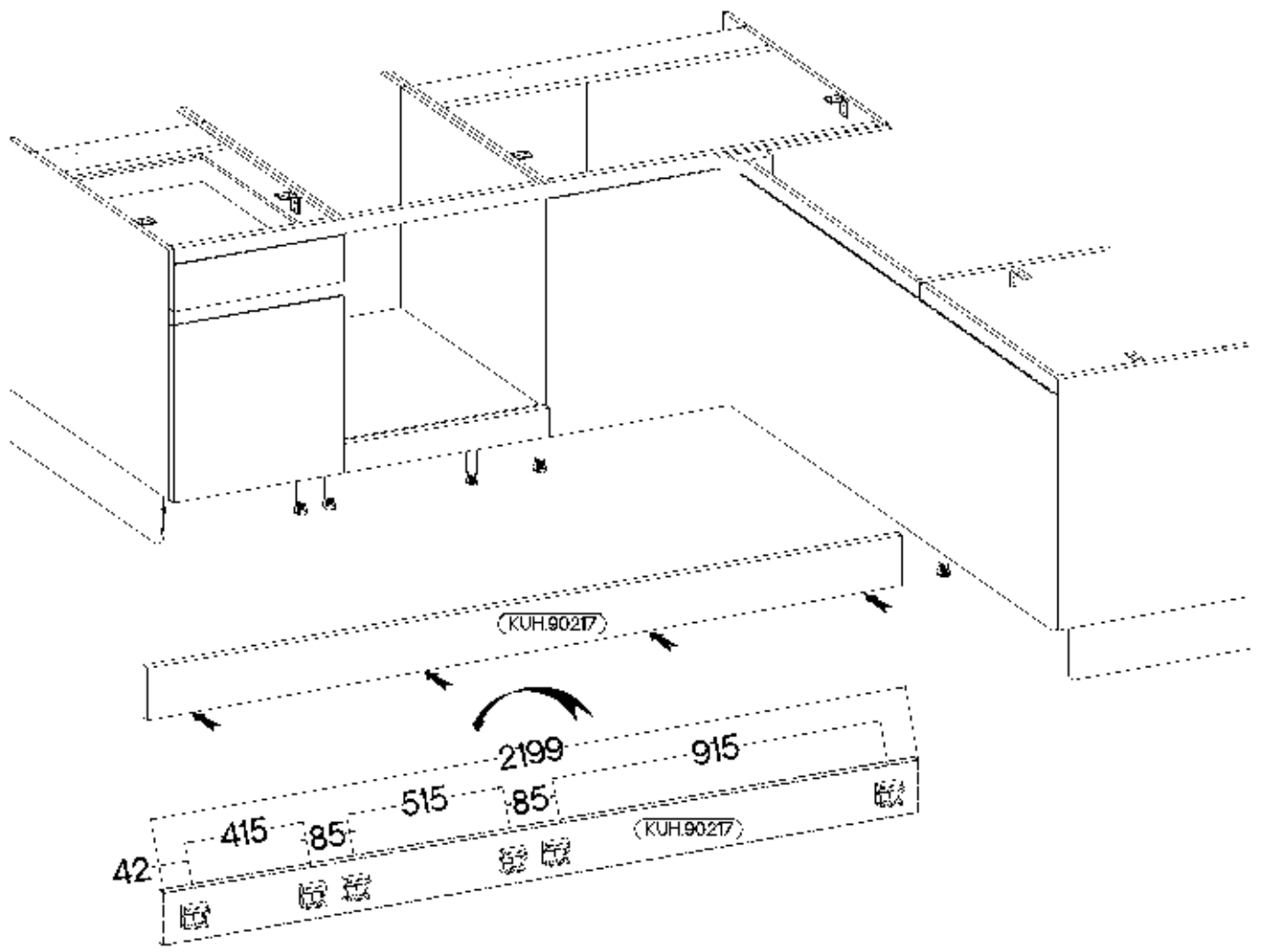
P5

12



F16

6



6

-3.5x13mm



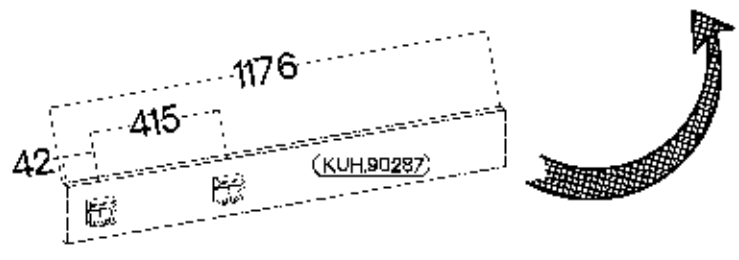
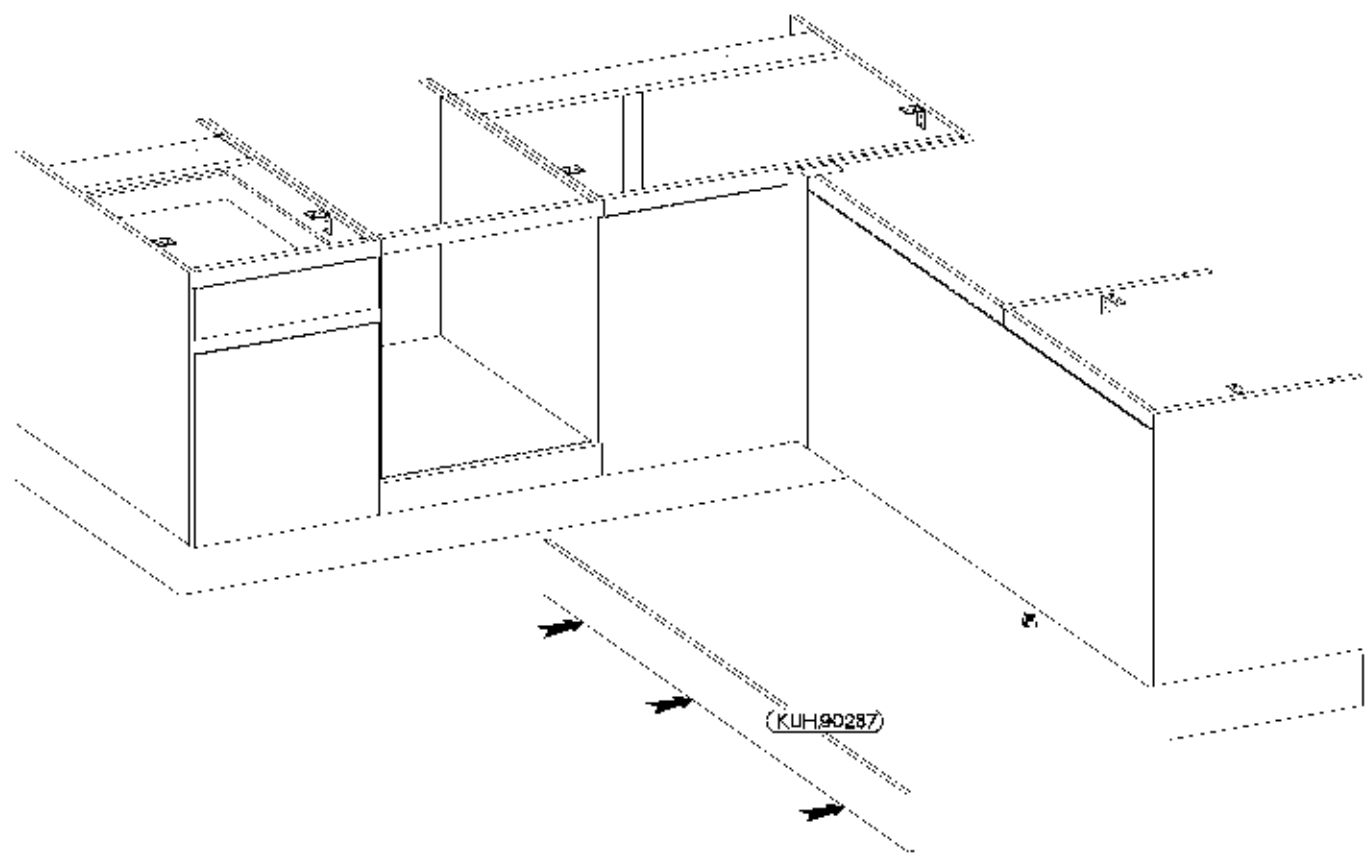
P5

4



F16

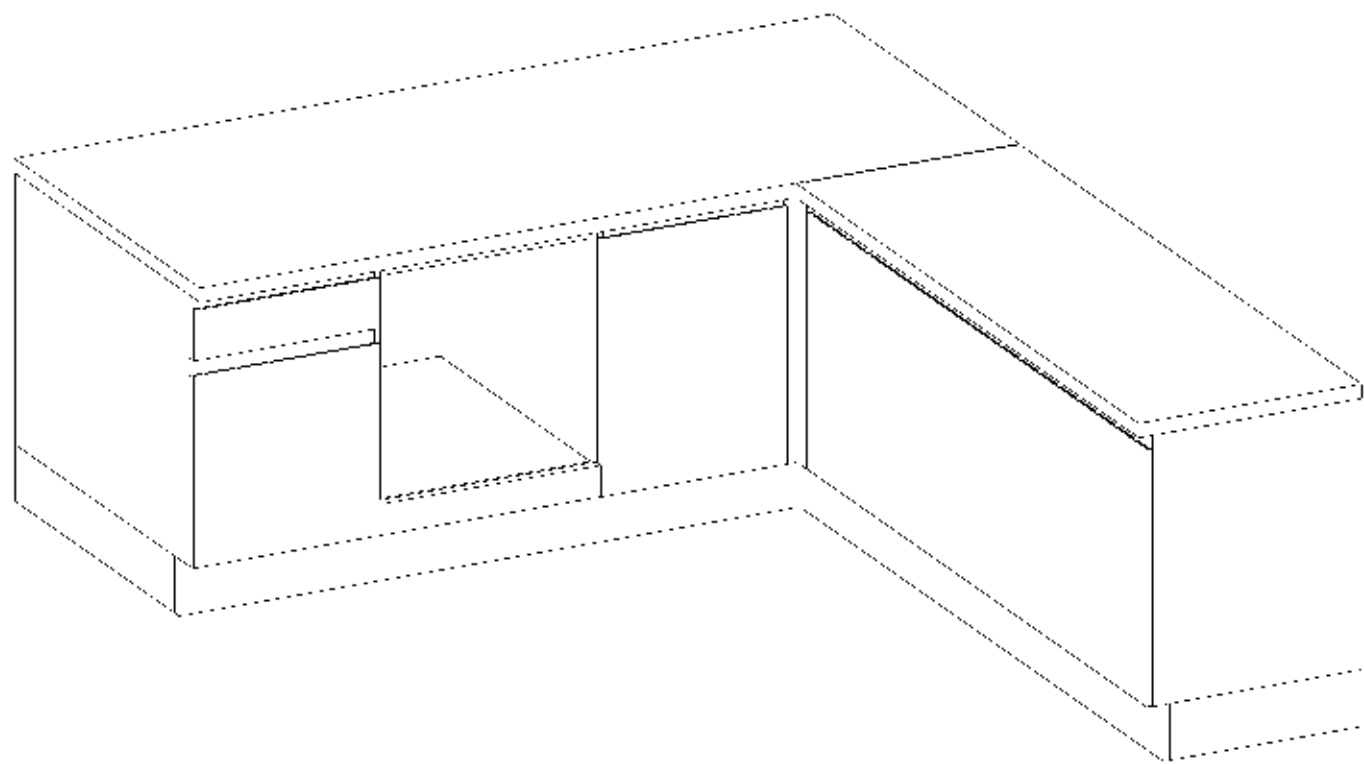
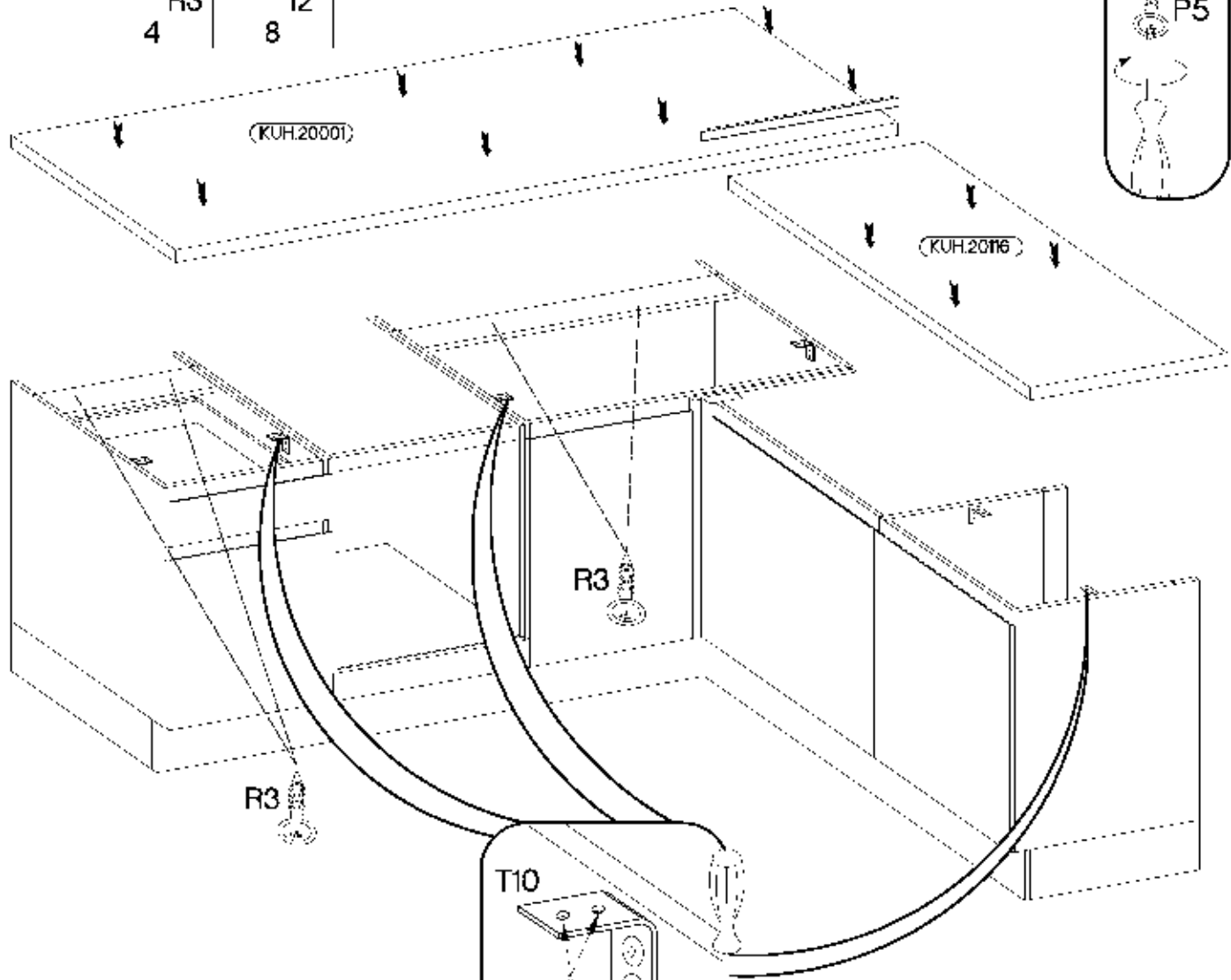
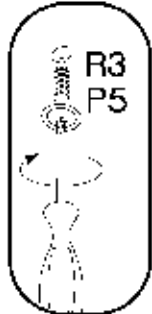
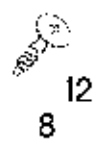
2



- 
- 
- 
-

7

4.0x35mm 3.5x13mm

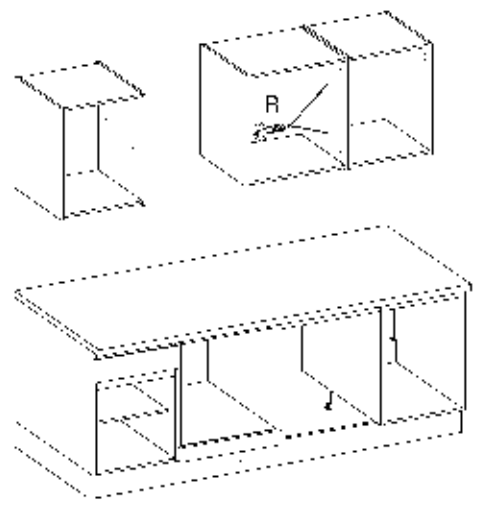


10

4.0x25mm



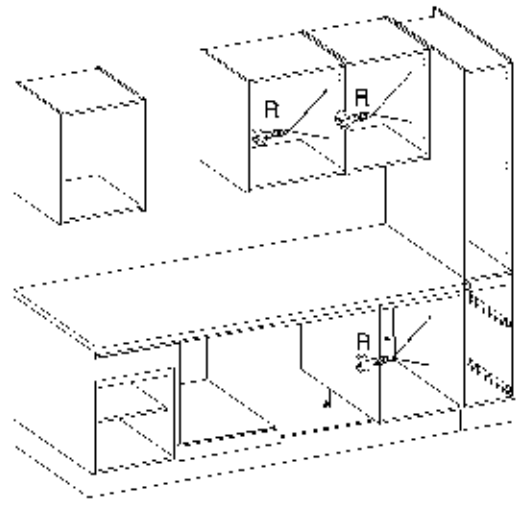
V 1



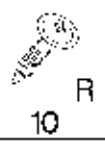
4.0x25mm



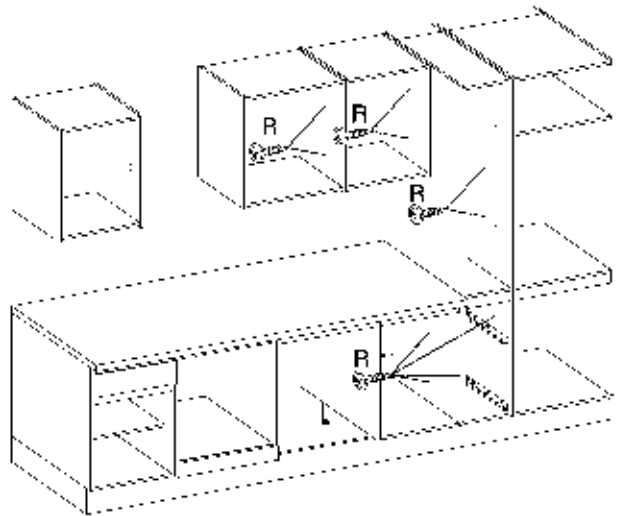
V 2

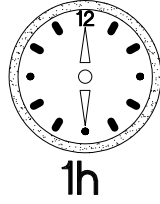
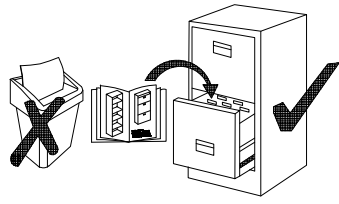
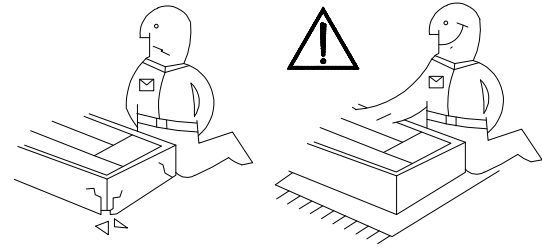
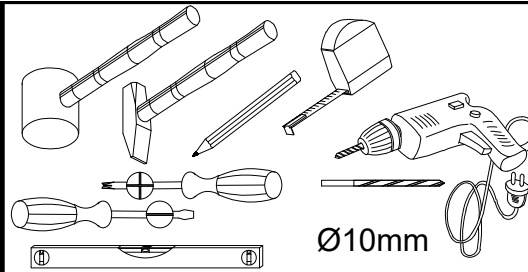
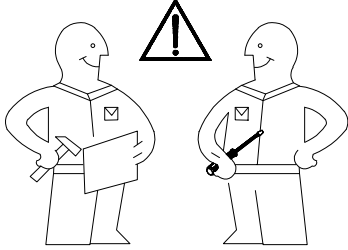


4.0x25mm

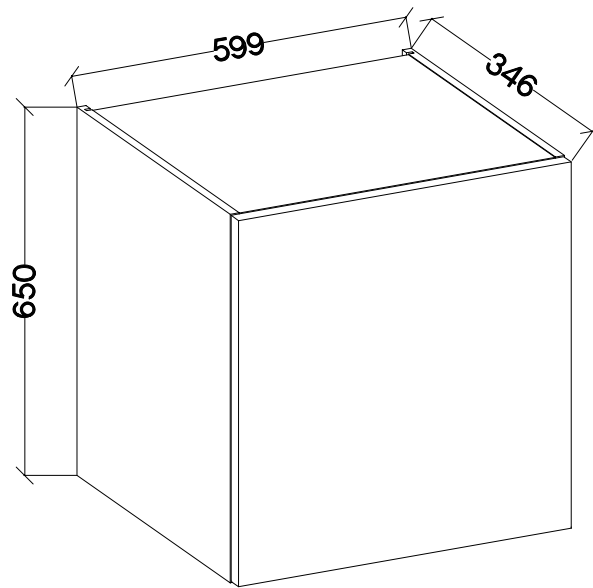
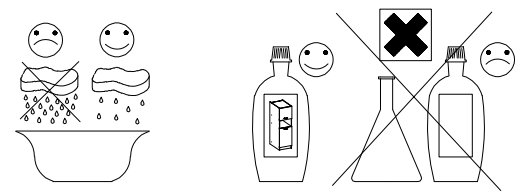


V 3



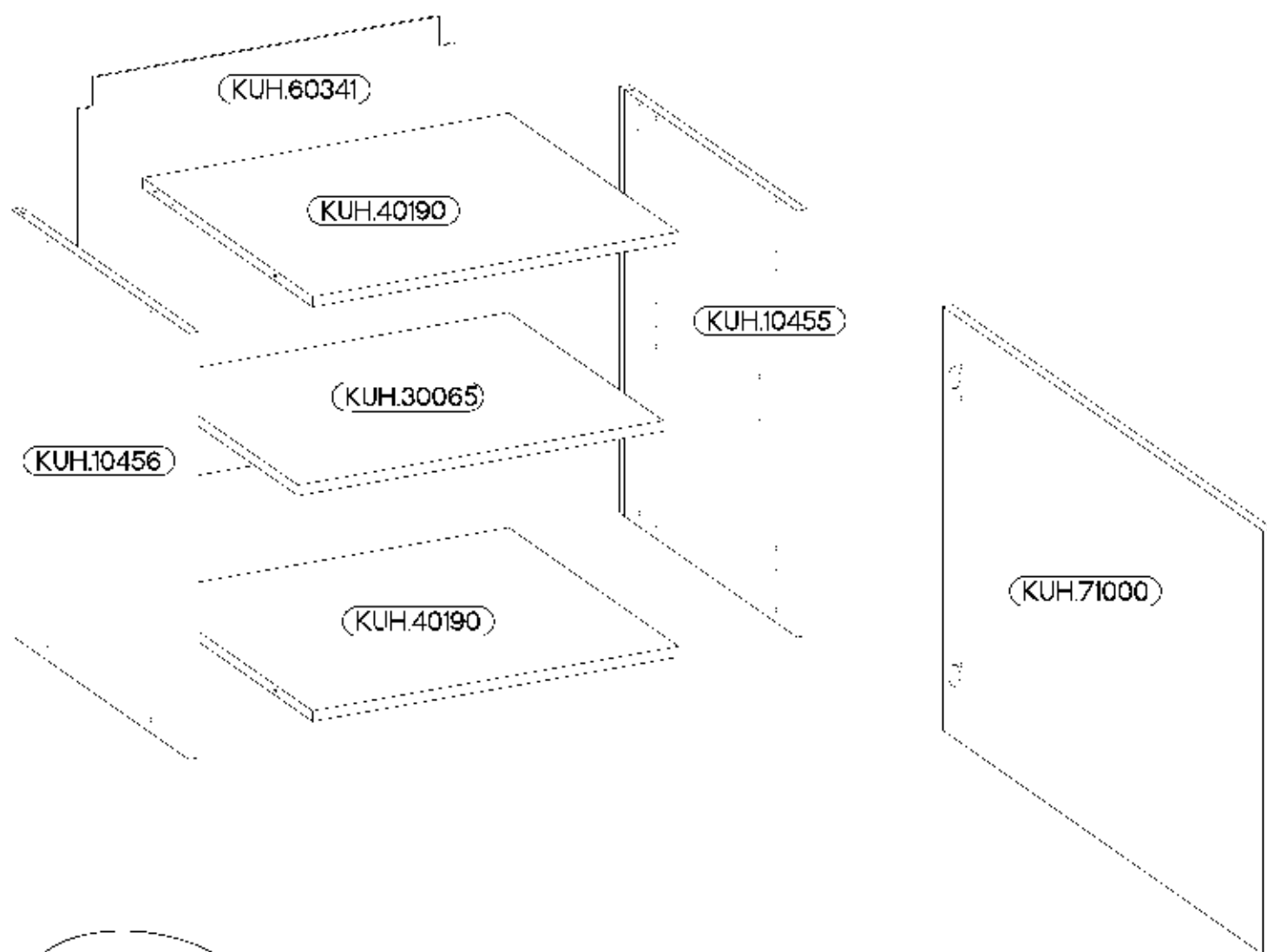


84-200-...  
ADANA  
Zeile 220  
Hängeschränk 1T

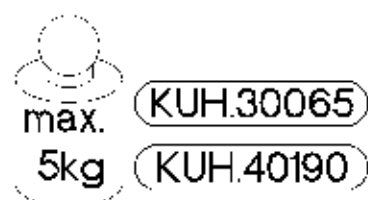


 A 8	 B 8	 E1 8	 HG 2	 J3 4			
 K 2	 K16 2	 O 1	 P5 4	 P7 10-15	 P8 4	 R 2	

ISM-KUH-01724



Colli	Spare Part	Dimension
Colli 5/6	KUH.10455	650x330x16
	KUH.10456	650x330x16
	KUH.30065	566x288x16
	KUH.40190 x2	567x316x16
	KUH.60341	635x585x2.5
	KUH.71000	646x596x16







+8x30mm +4.0x30mm



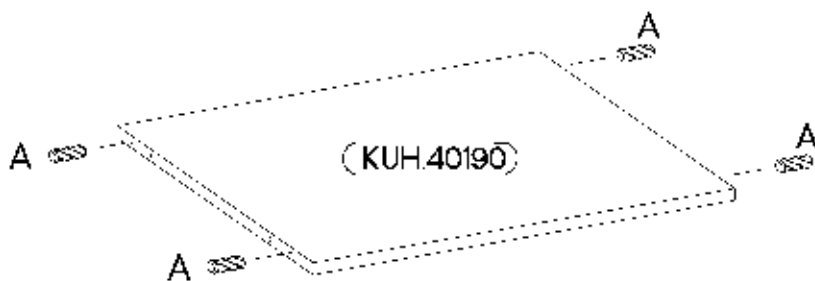
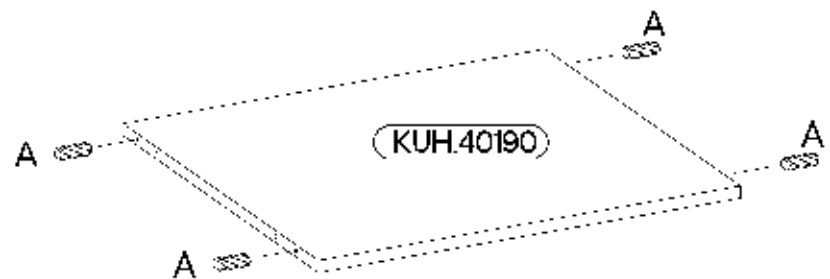
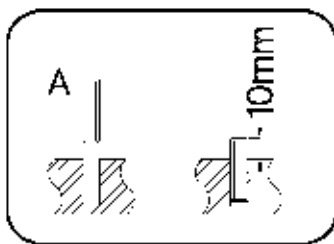
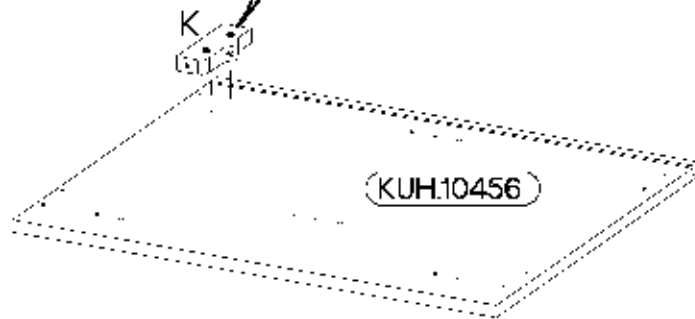
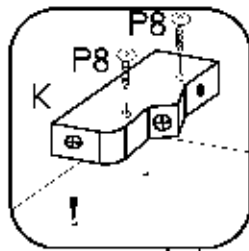
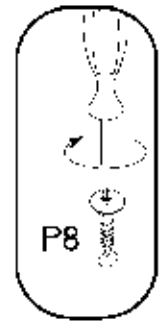
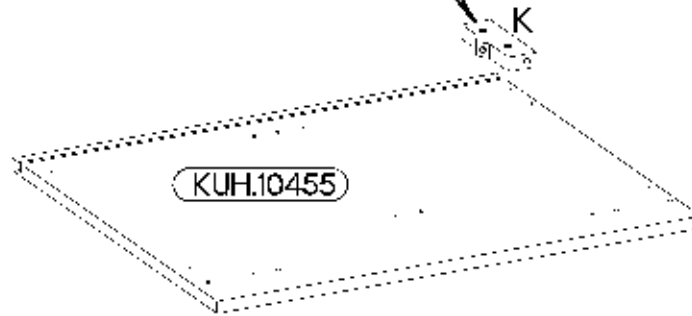
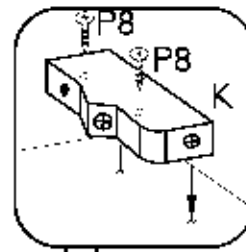
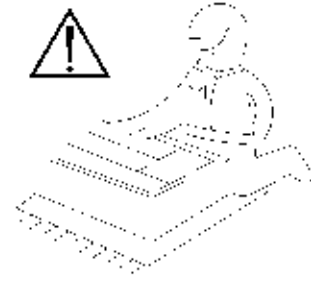
8 A



4 P8



2 K



2

6,4 x 50mm



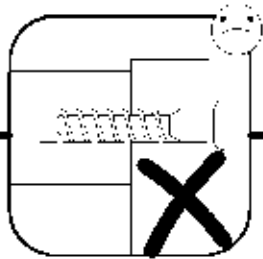
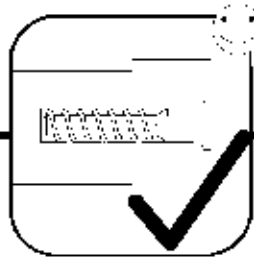
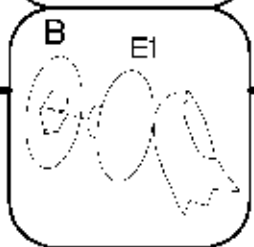
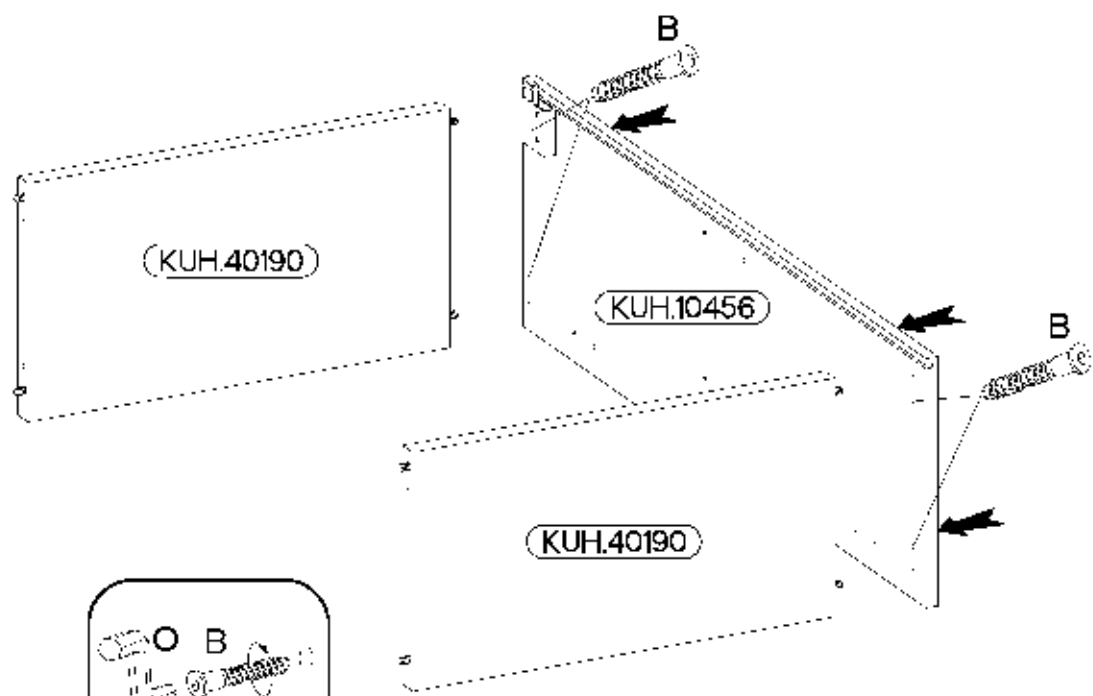
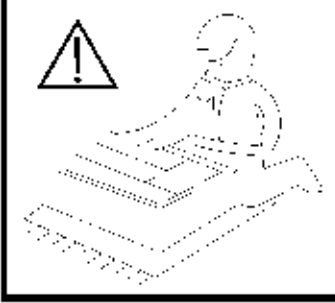
4



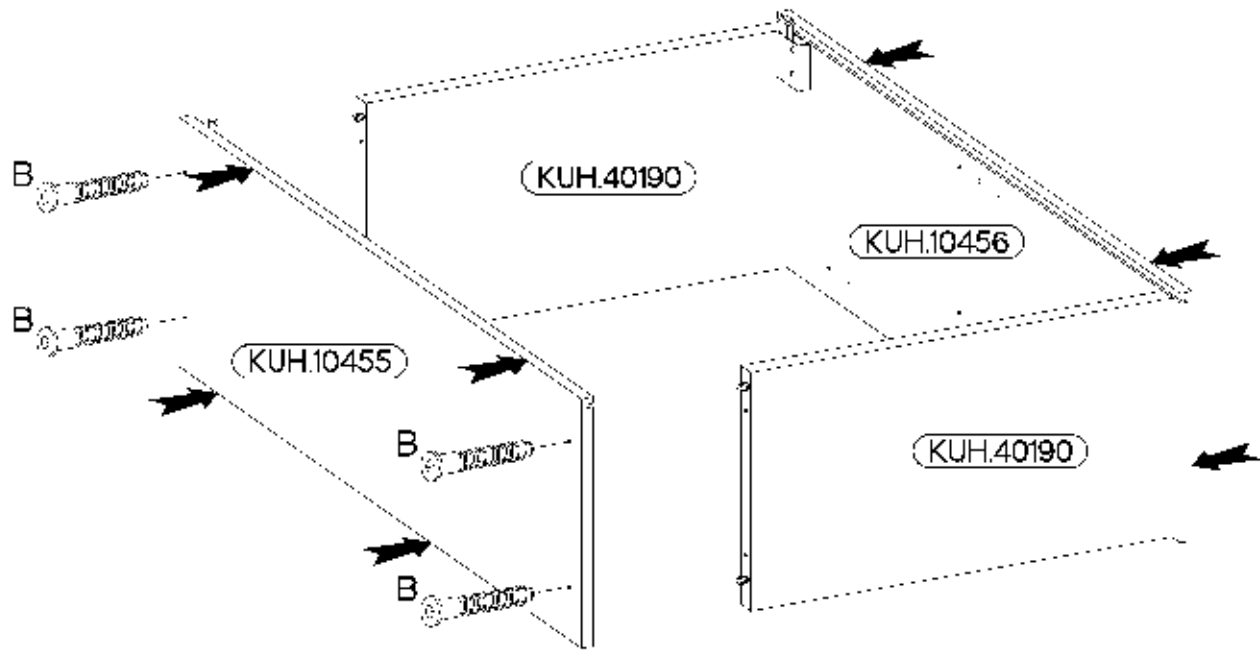
1



4



3



6,4 x 50mm



4

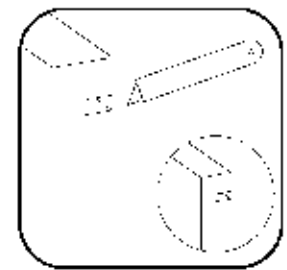
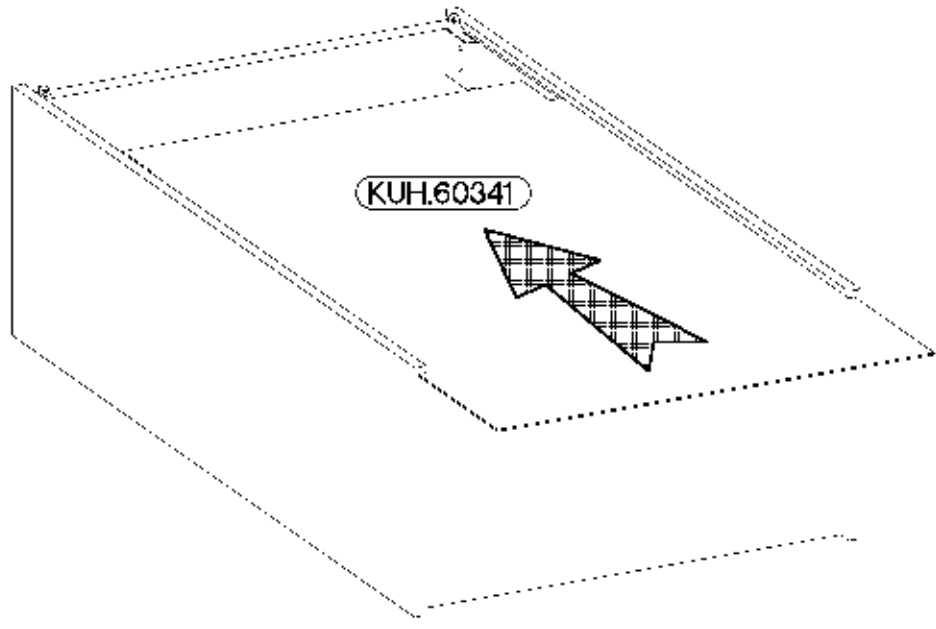
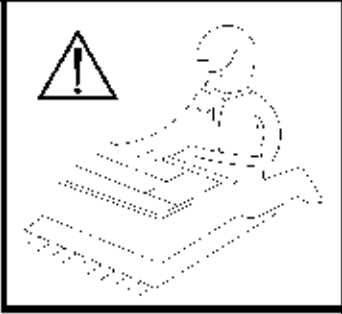


1



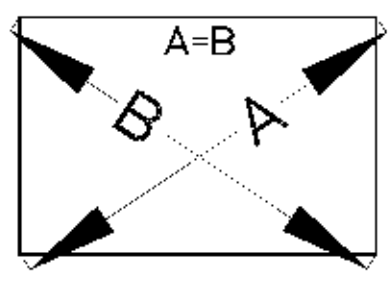
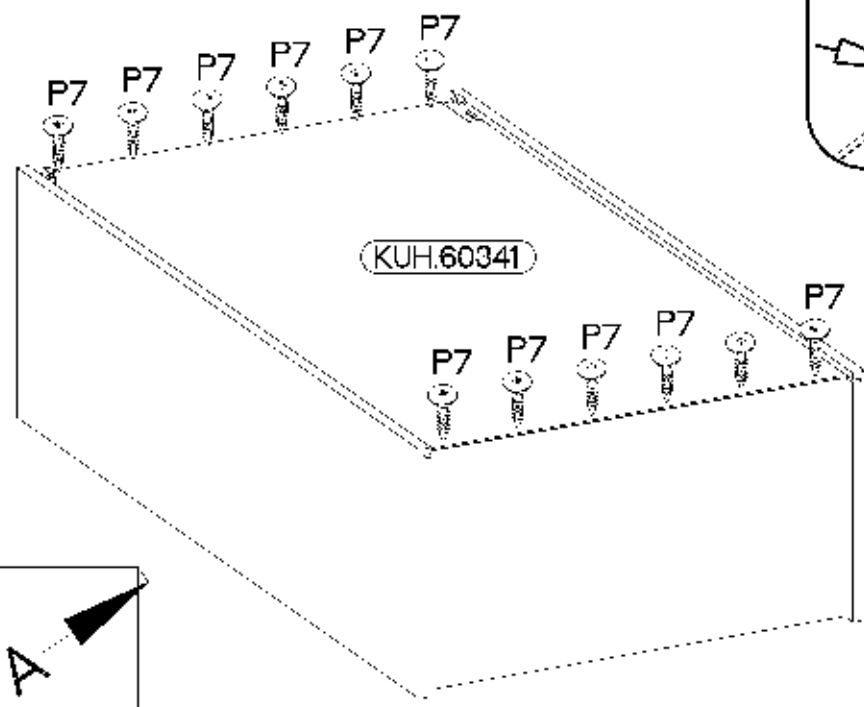
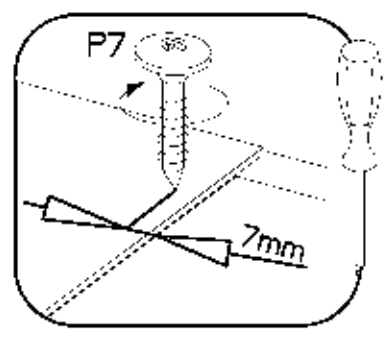
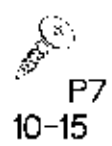
4

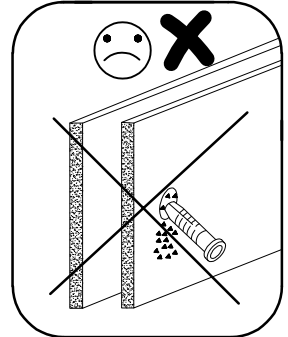
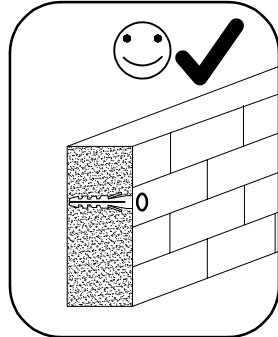
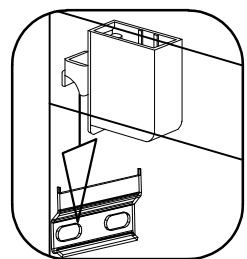
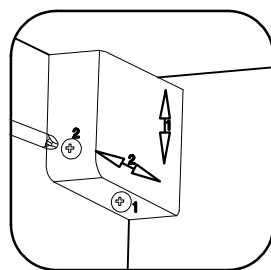
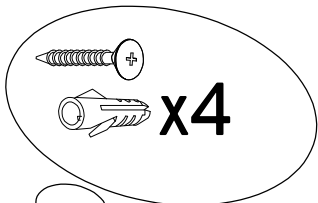
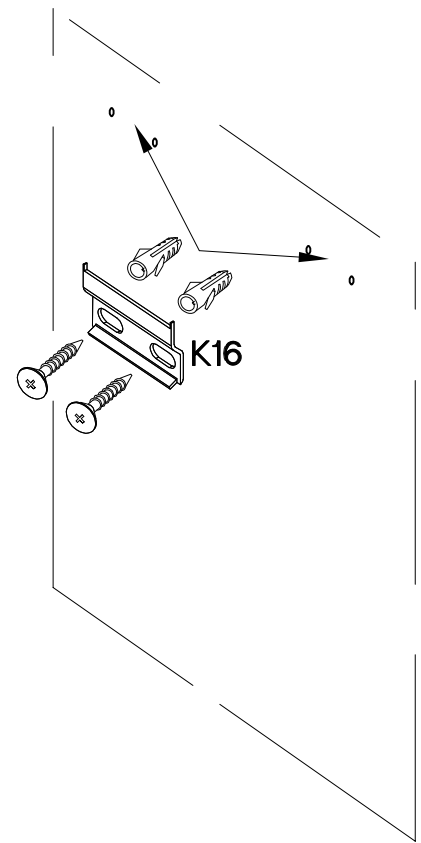
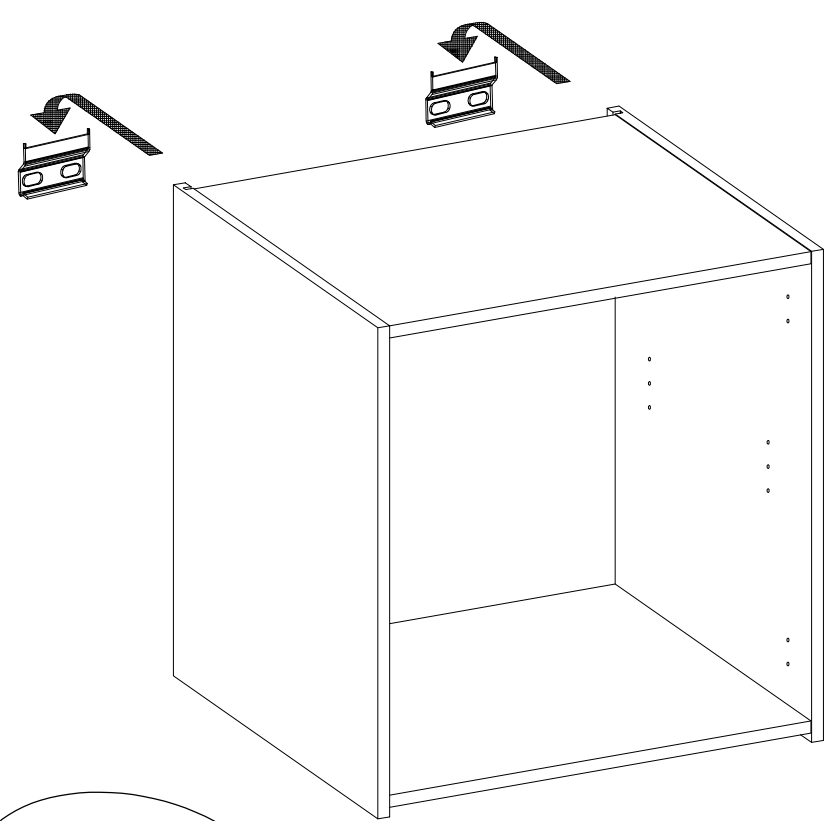
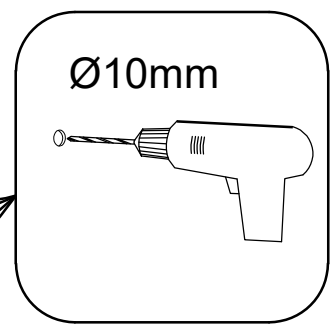
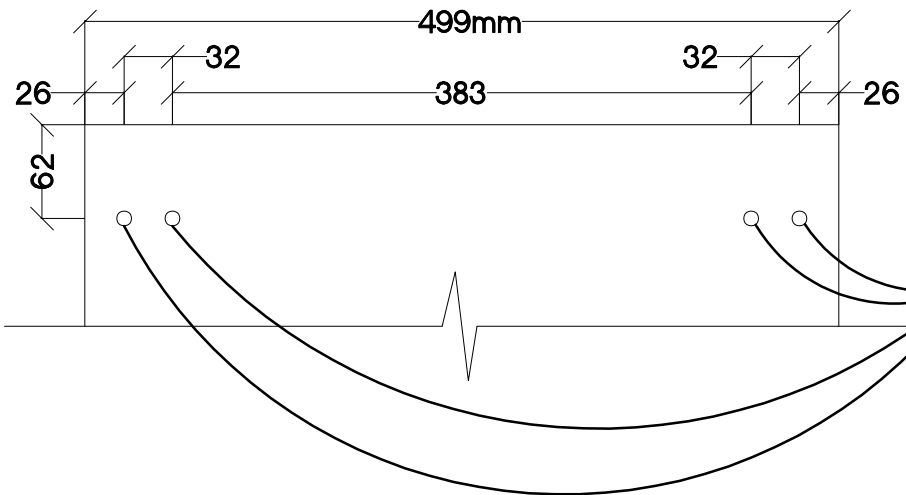
4



5

3.0x20mm





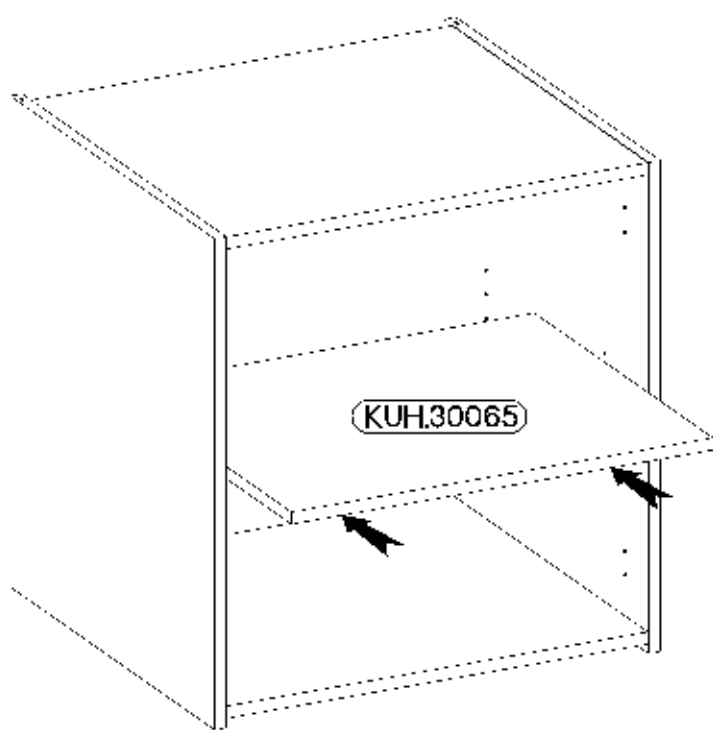
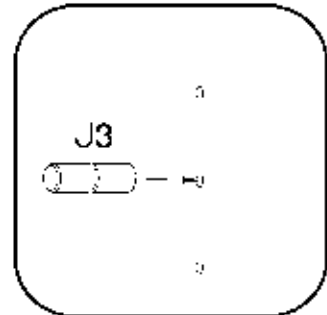
7

±5/16mm



J3

4



(KUH.30065)

8

±35/0mm ±3.5x13mm



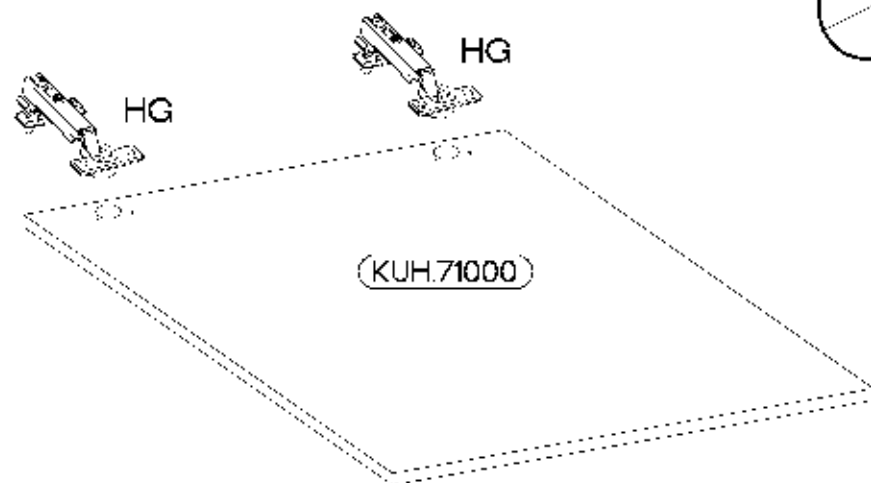
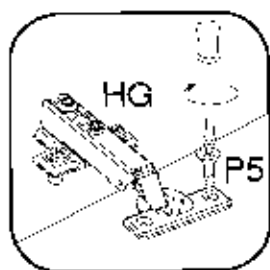
HG

2

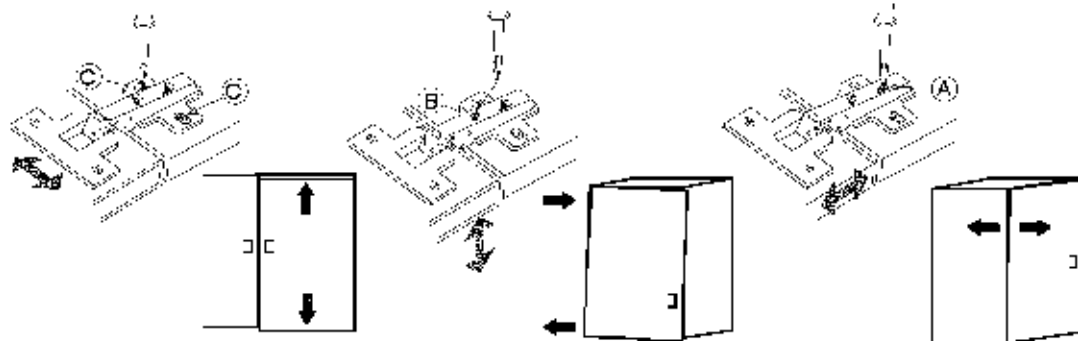
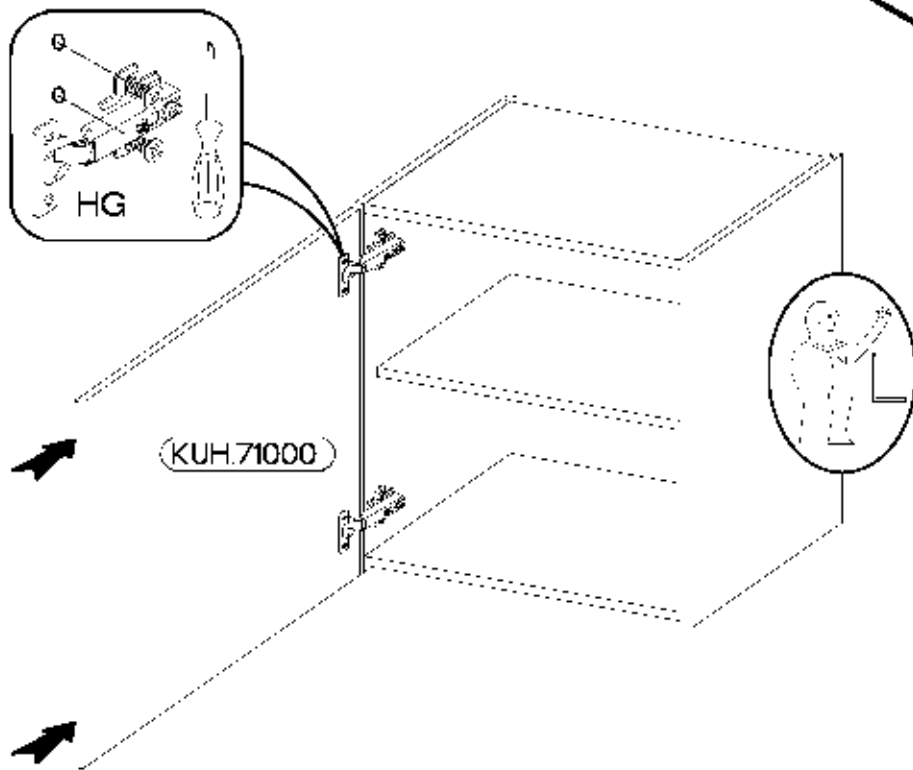
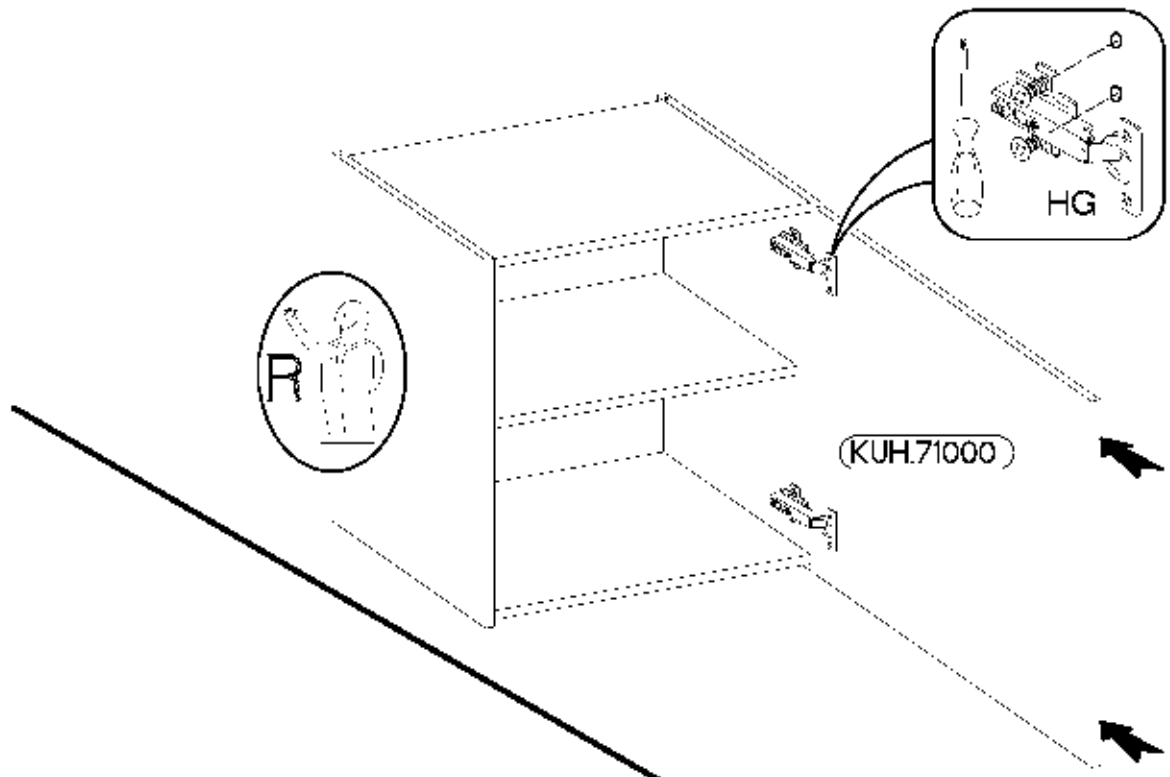


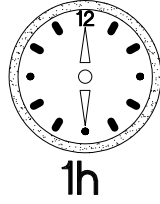
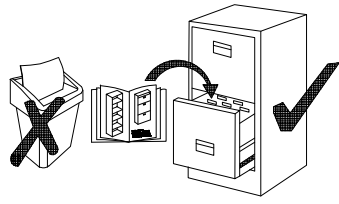
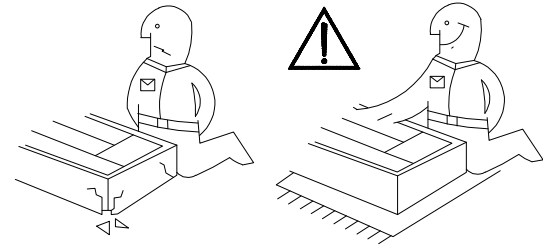
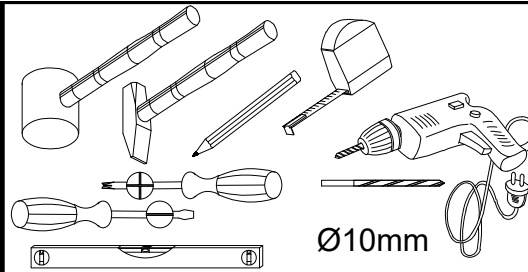
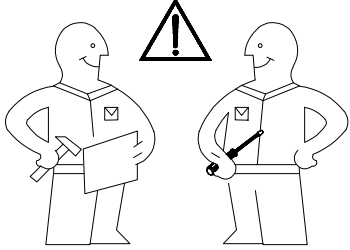
P5

4

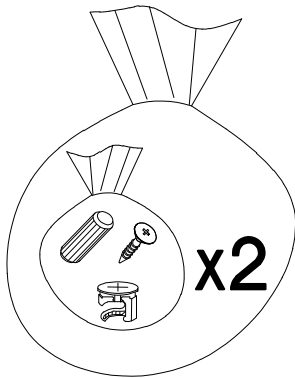
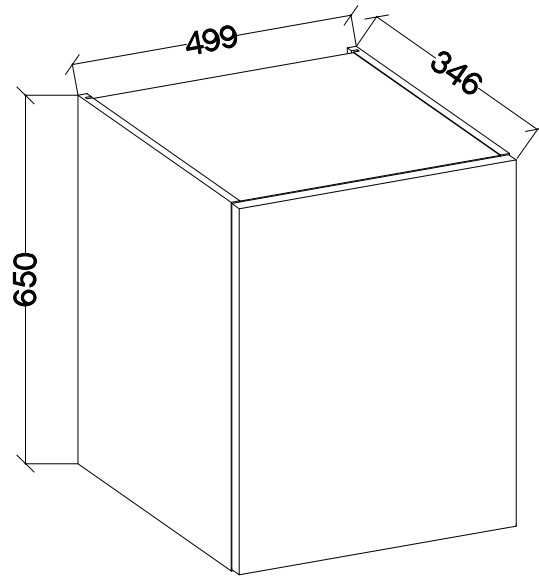
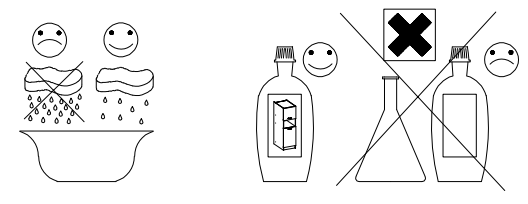


(KUH.71000)



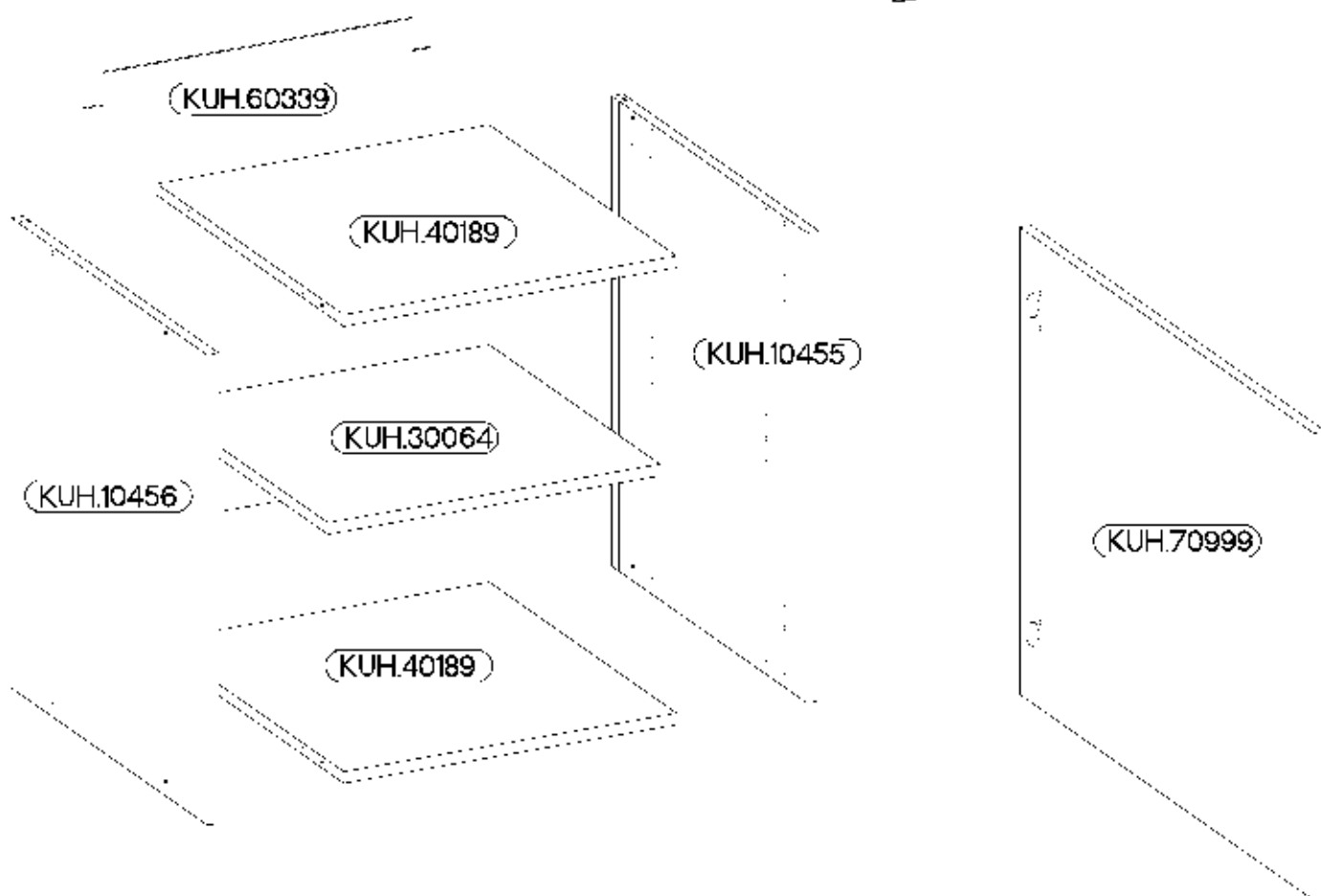
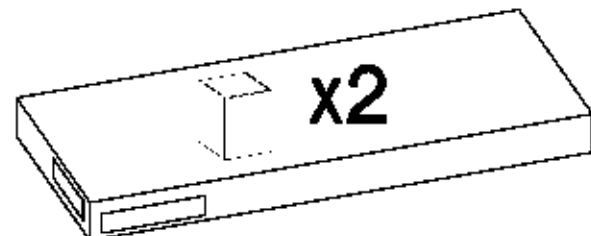


84-200-...  
ADANA  
Zeile 200  
Hängeschränk 1T



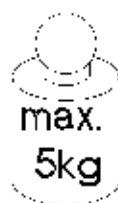
 <b>A</b> 8	 <b>B</b> 8	 <b>E1</b> 8	 <b>HG</b> 2	 <b>J3</b> 4	
 <b>K</b> 2	 <b>K16</b> 2	 <b>O</b> 1	 <b>P5</b> 4	 <b>P7</b> 8-10	 <b>P8</b> 4

ISM-KUH-01723



Colli	Spare Part	Dimension
Colli 4/6	KUH.10455	650x330x16
	KUH.10456	650x330x16
	KUH.30064	466x288x16
	KUH.40189 x2	467x316x16
	KUH.60339	635x485x2,5
	KUH.70999	646x496x16

**x2**



(KUH.30064)

(KUH.40189)





±8x30mm ±4.0x30mm



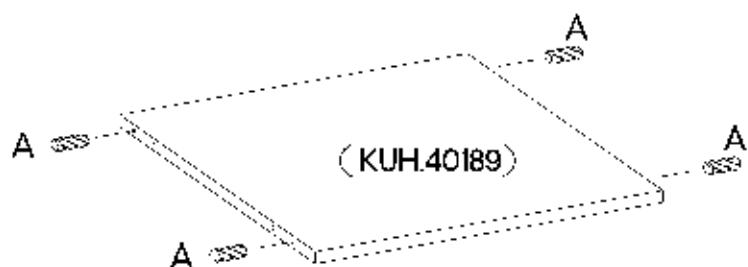
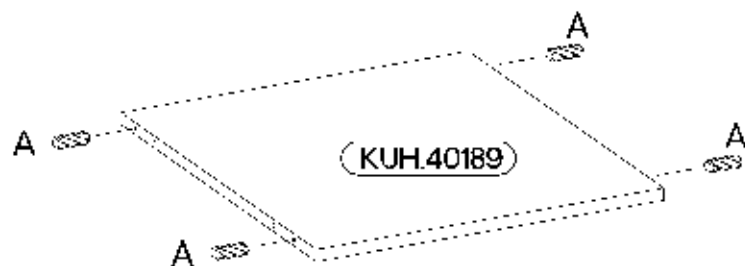
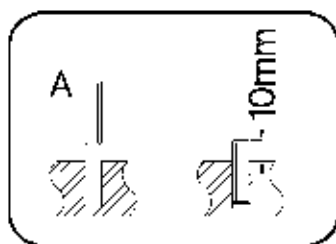
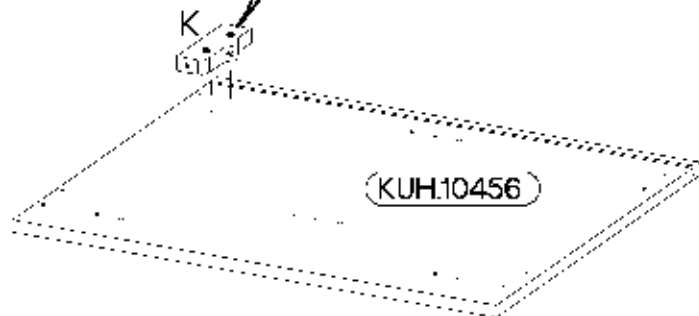
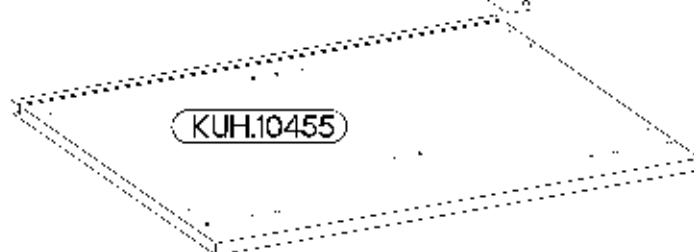
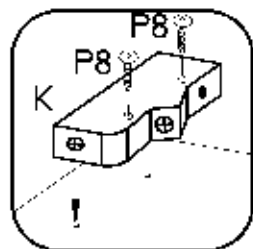
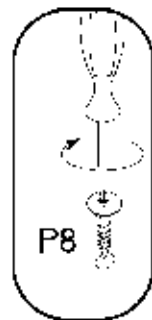
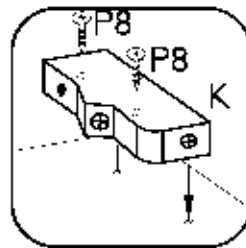
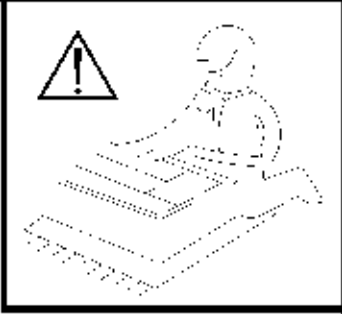
8 A



4 P8

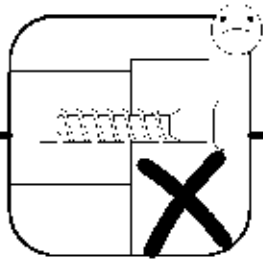
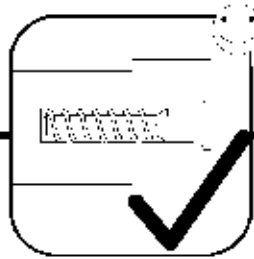
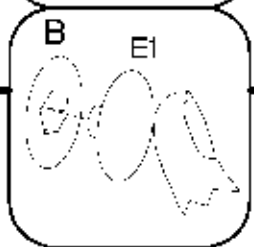
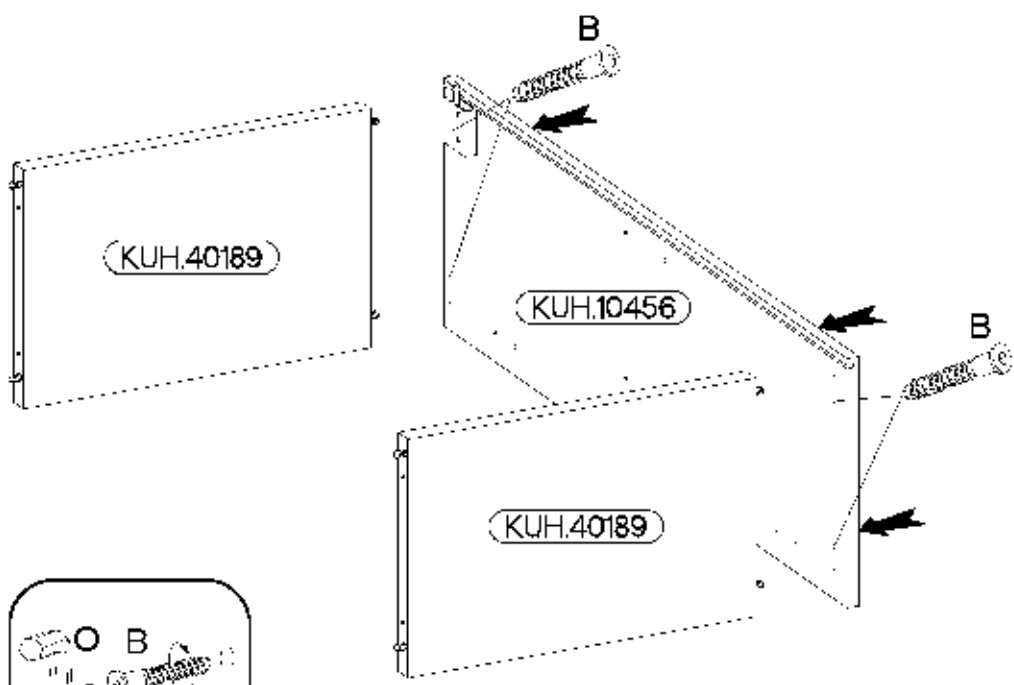
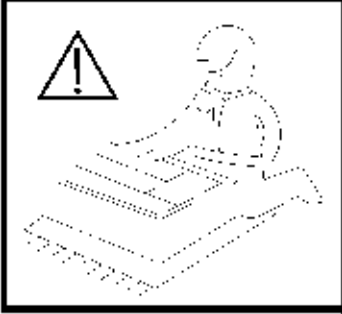
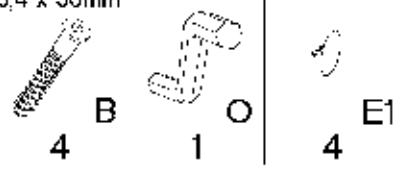


2 K

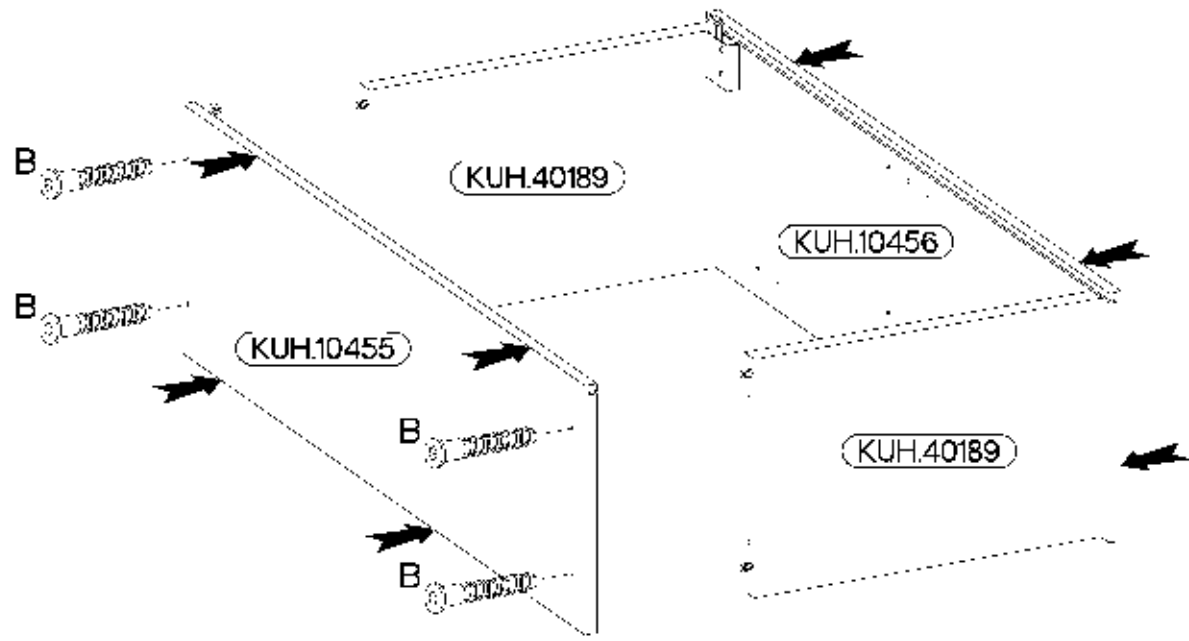


2

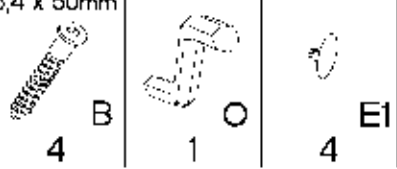
6,4 x 50mm



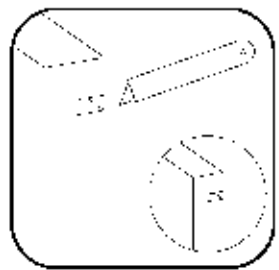
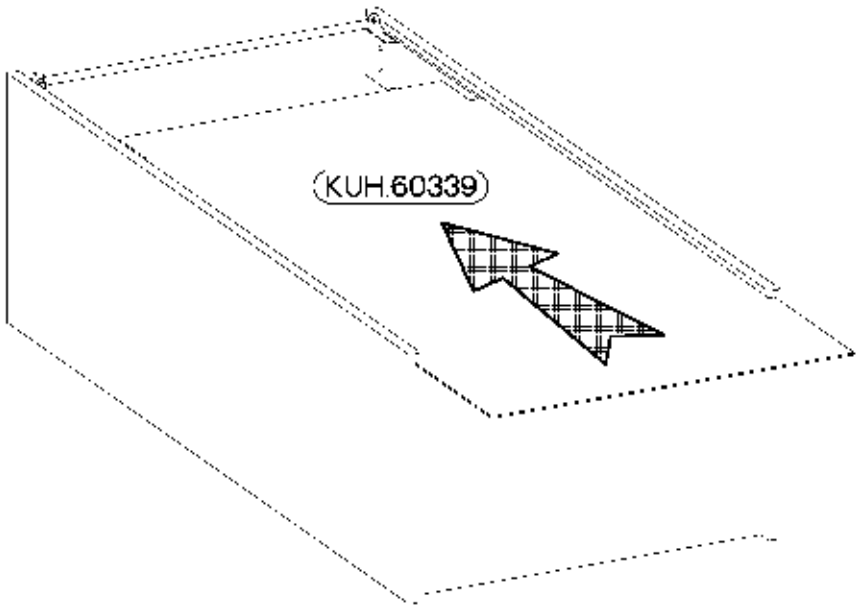
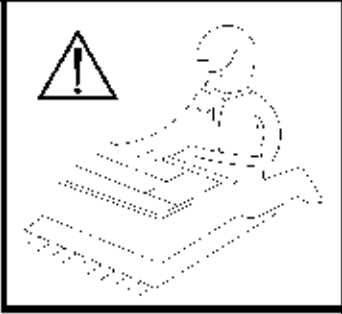
3



6,4 x 50mm

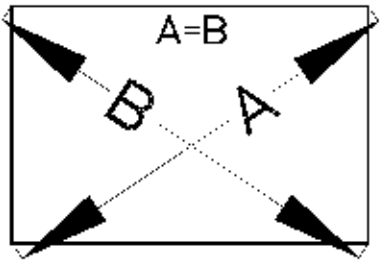
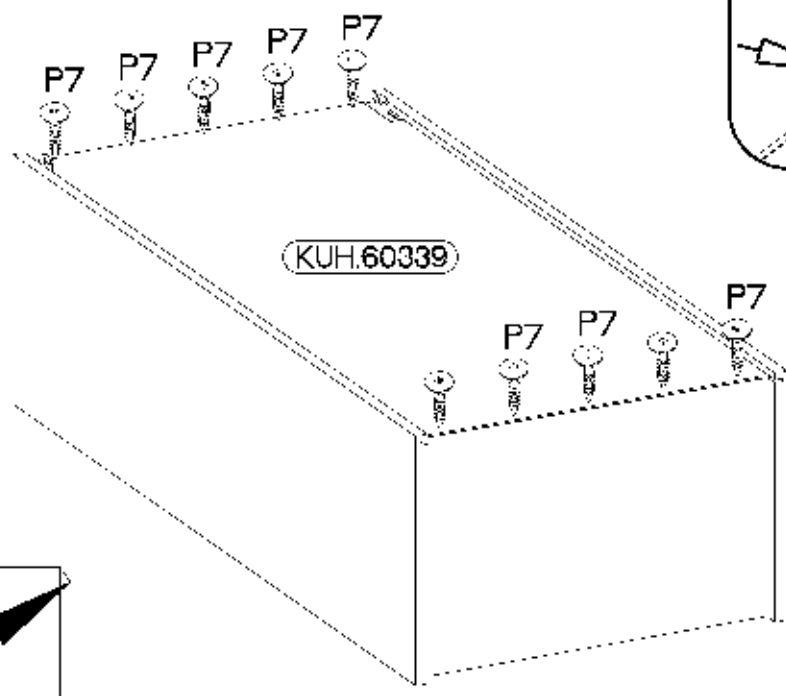
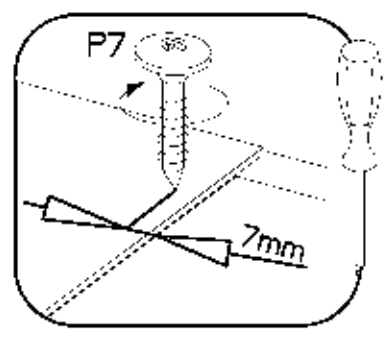
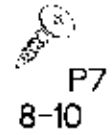


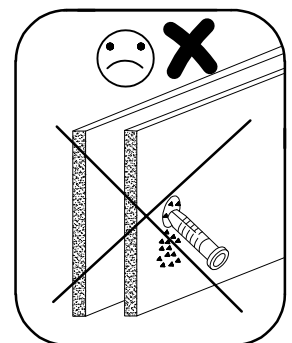
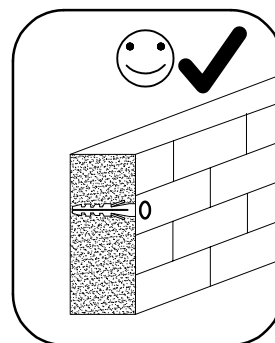
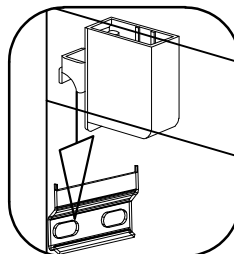
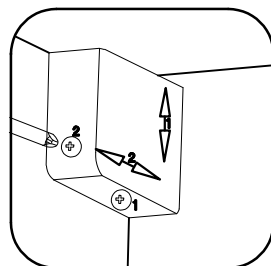
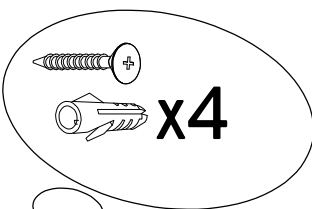
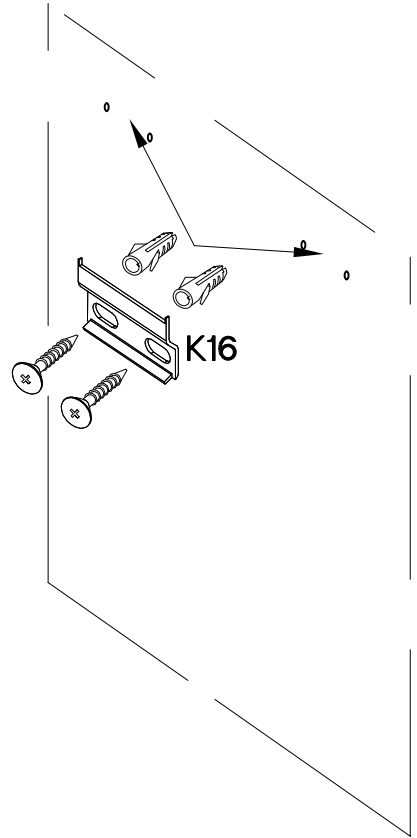
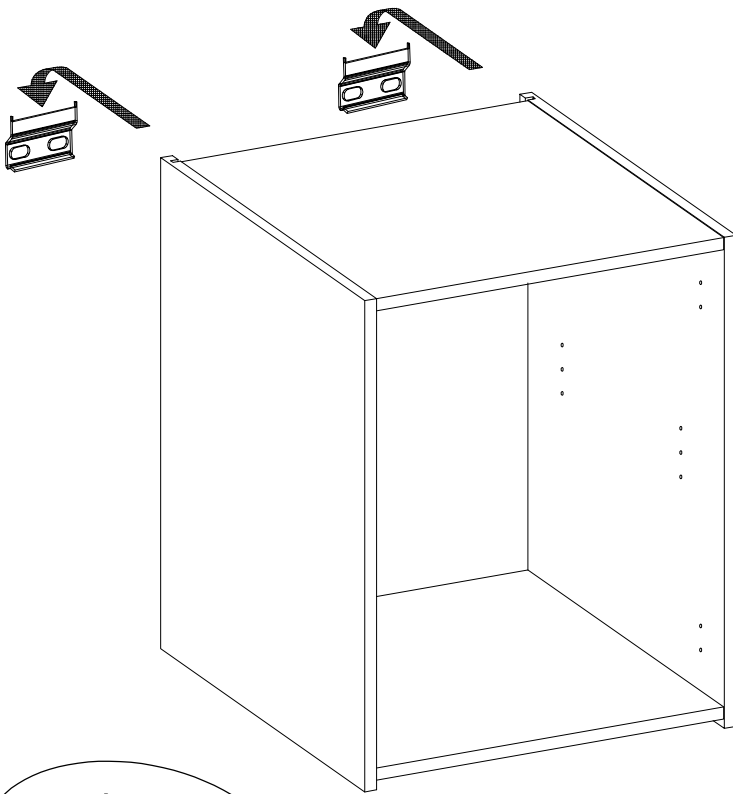
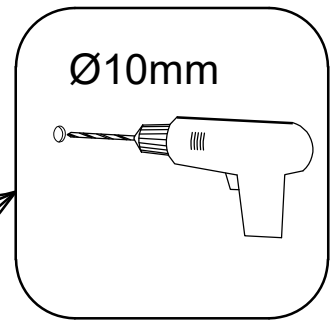
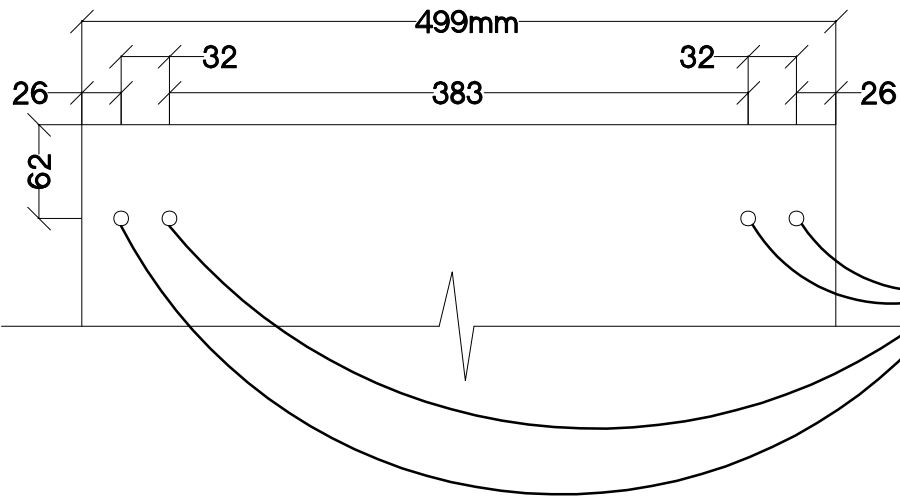
4



5

3.0x20mm





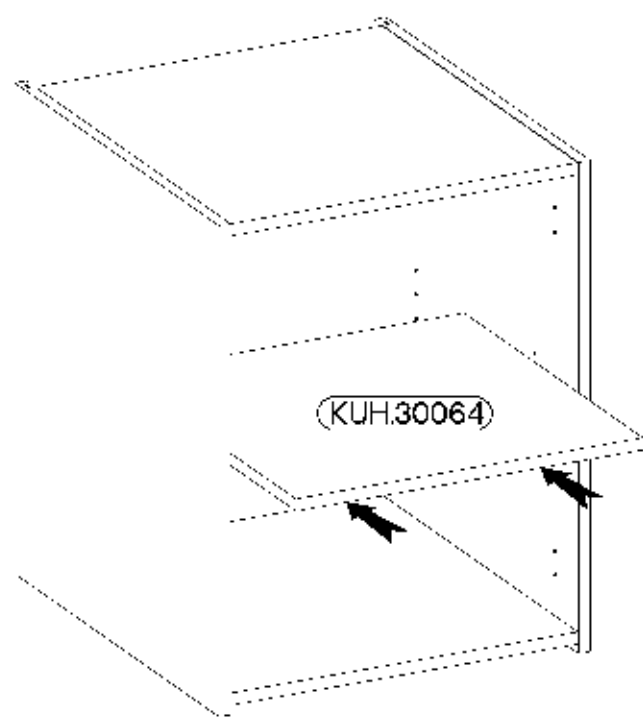
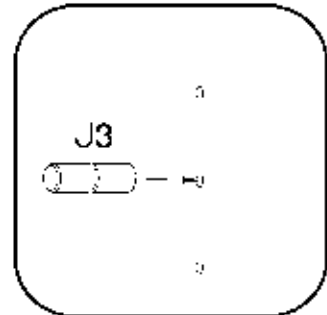
7

±5/16mm



J3

4



(KUH.30064)

8

±35/0mm ±3.5x13mm



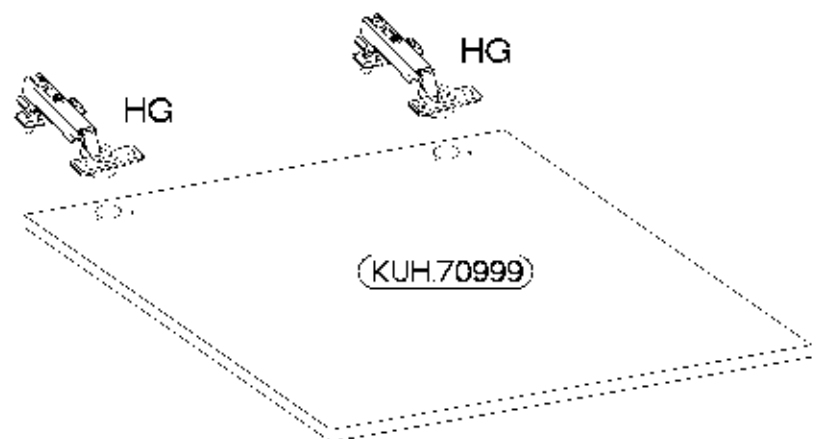
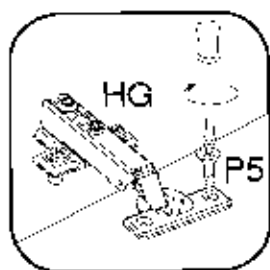
HG

2

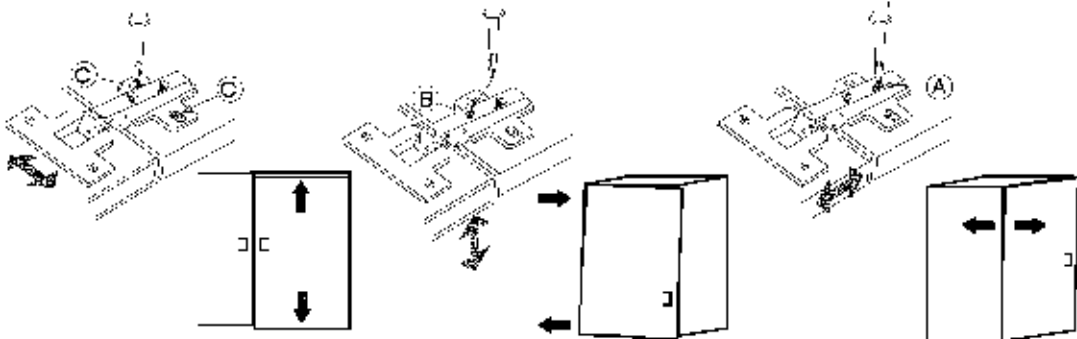
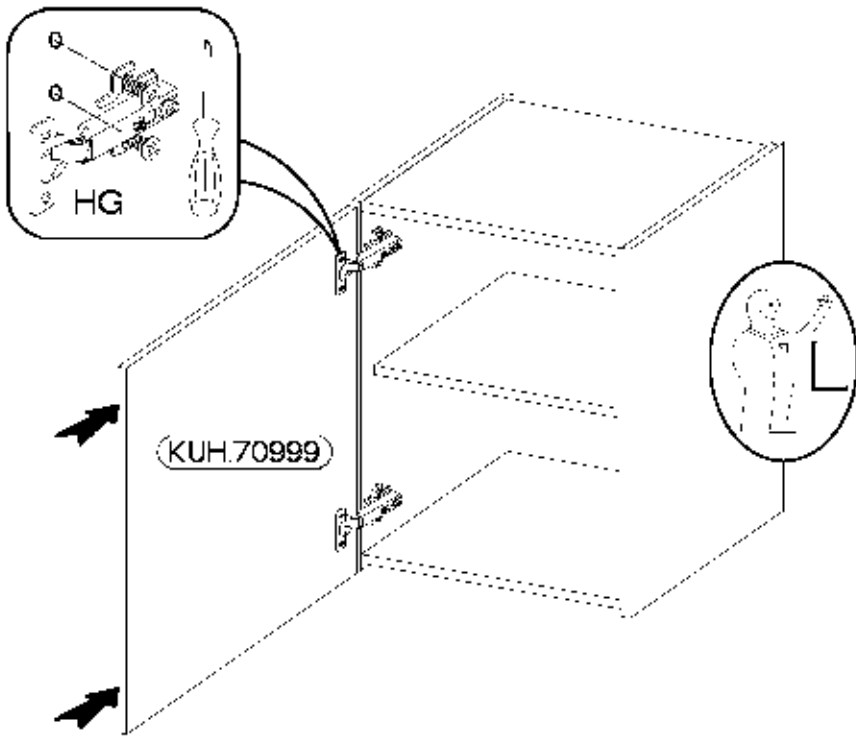
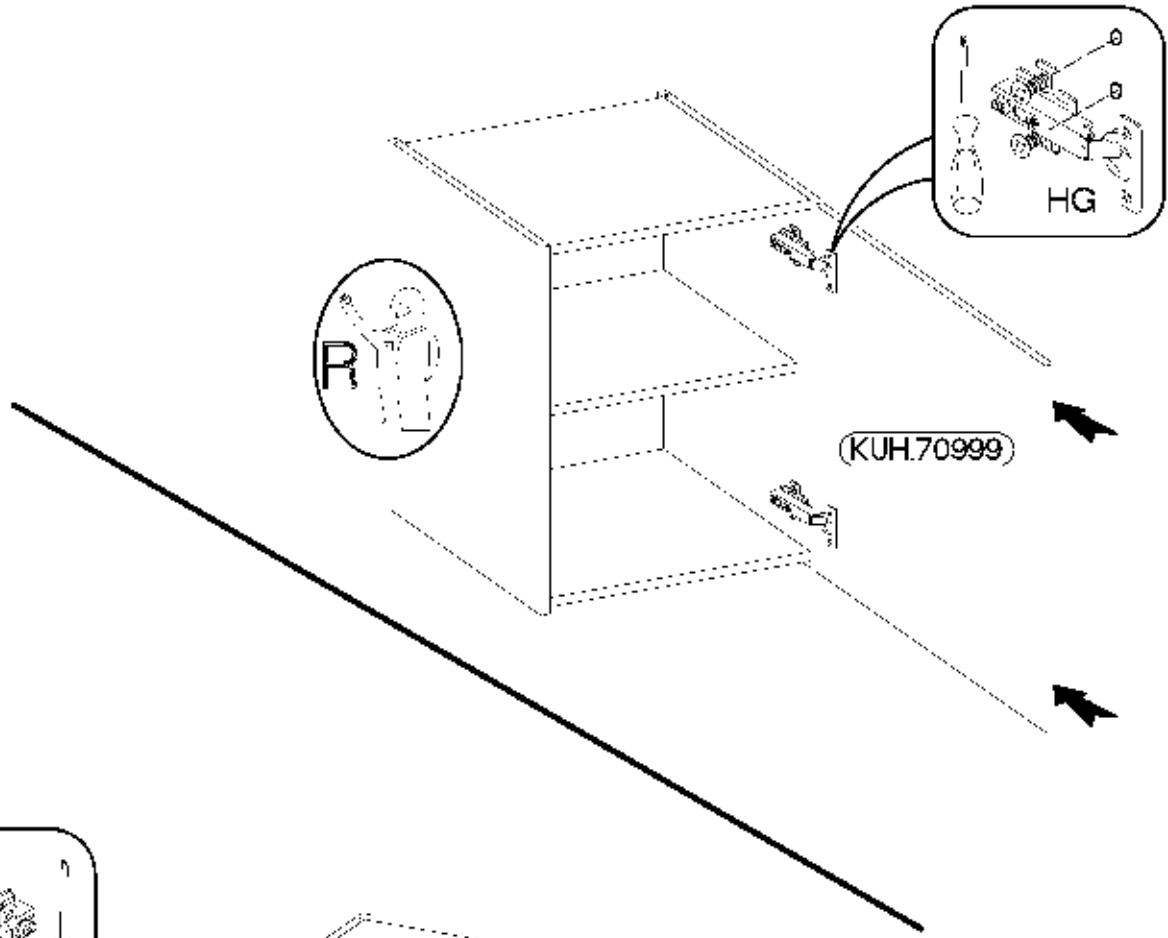


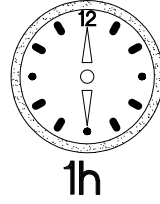
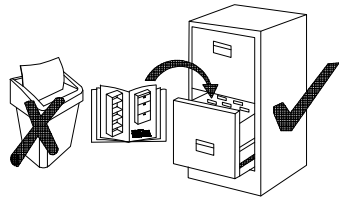
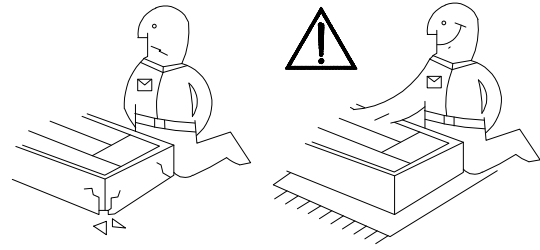
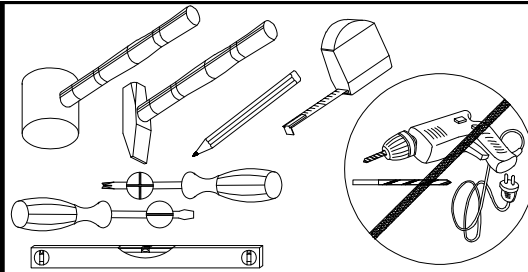
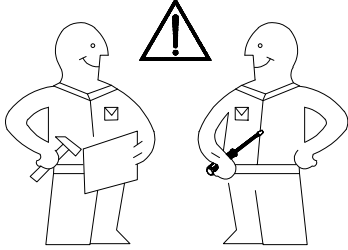
P5

4

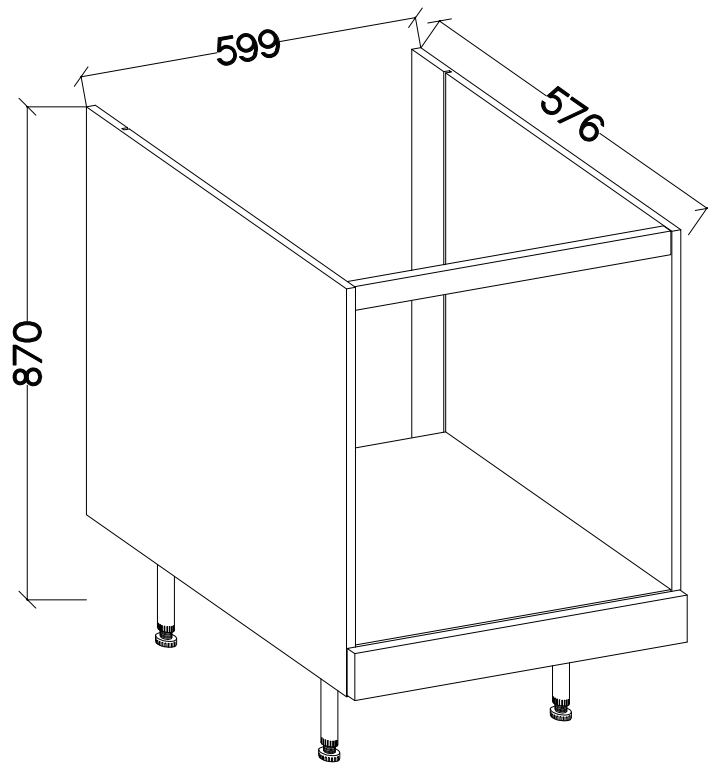
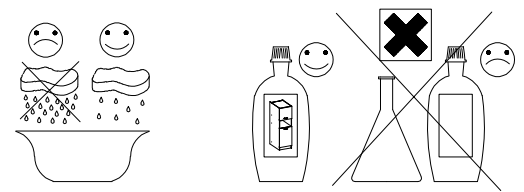


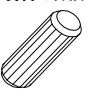




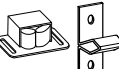
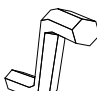



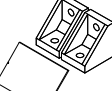
(KUH.70999)



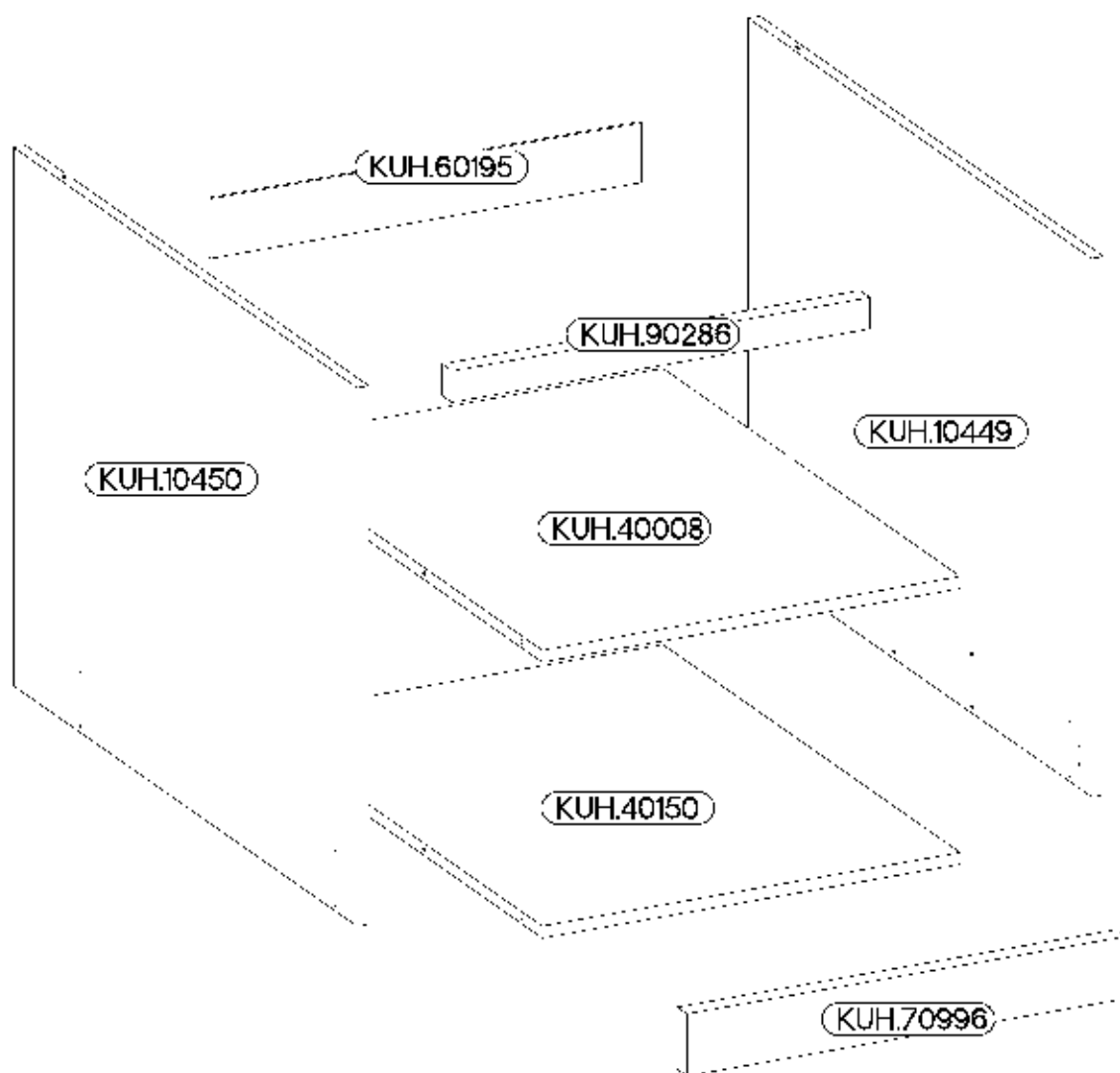


84-200-...  
ADANA  
Zeile 200  
Herdumbauschrank



 A	 B	 E1	 F15	 F16	
8	8	8	4	2	
 L28	 O	 P1	 28	 P7	 T4
2	1	8	16	8-10	2


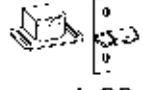



ISM-KUH-01720

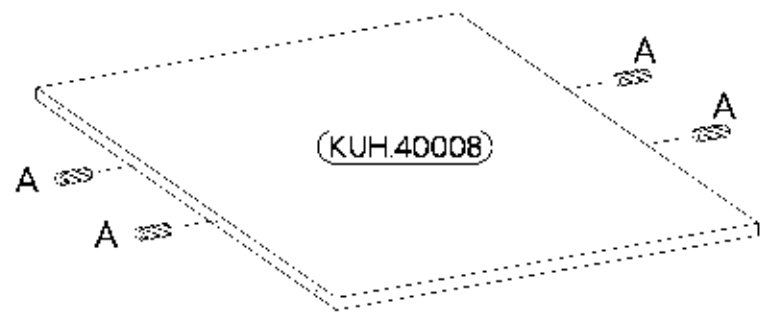
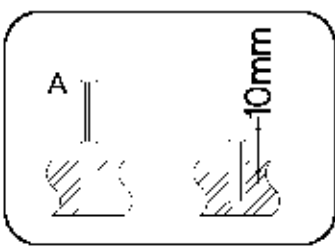
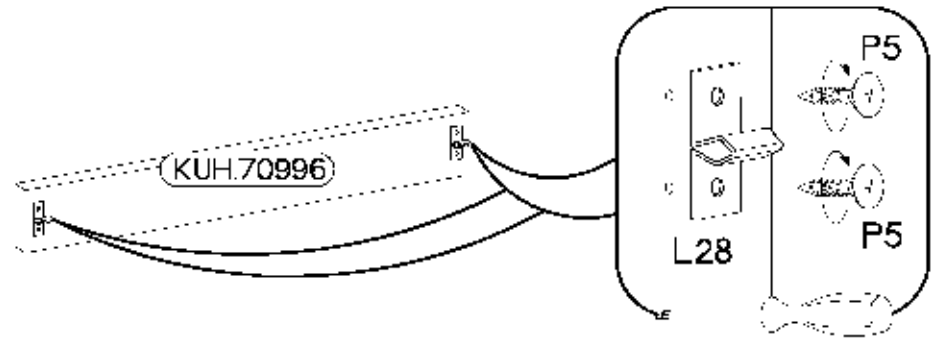
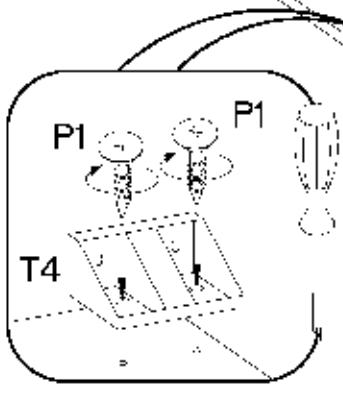
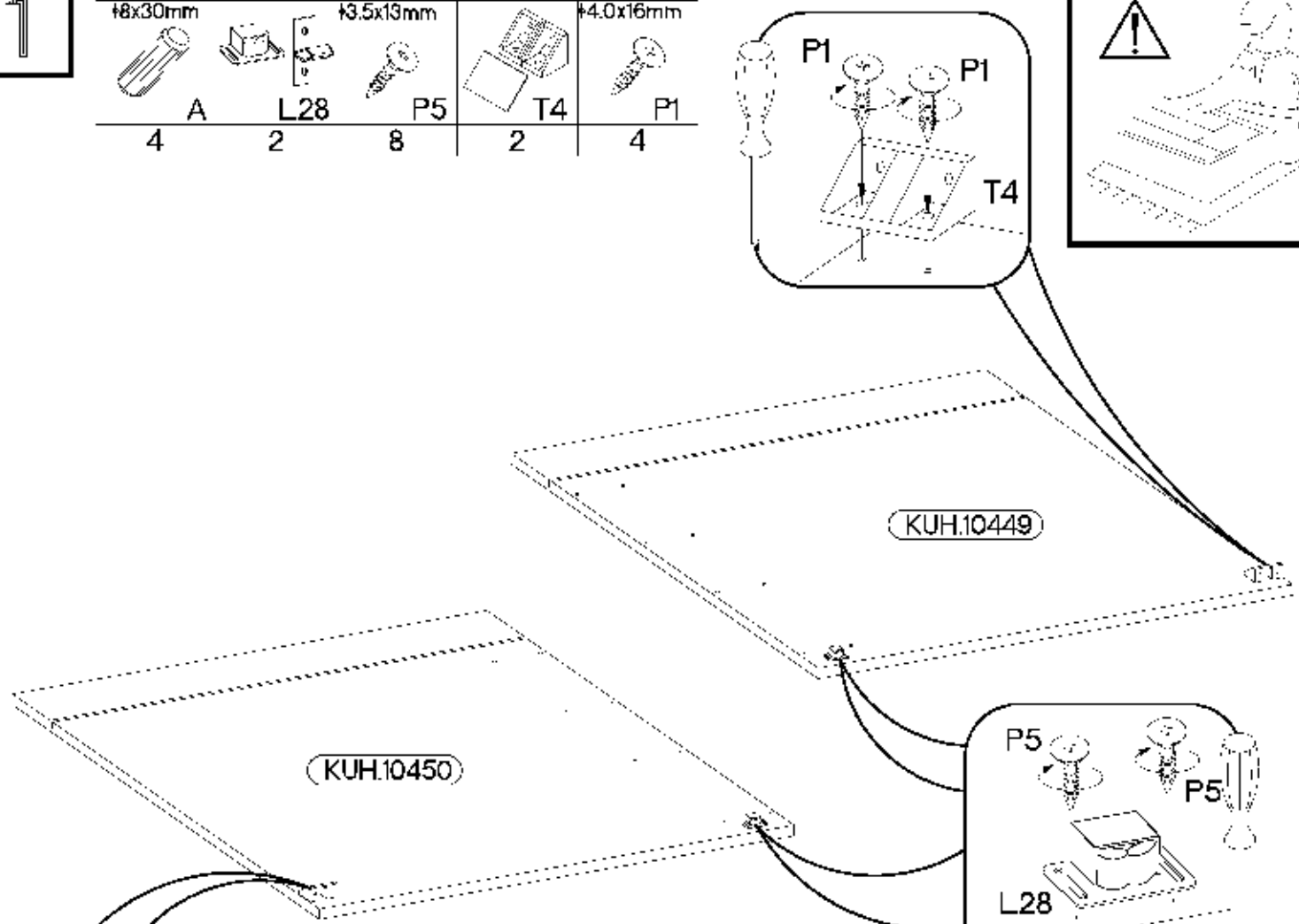
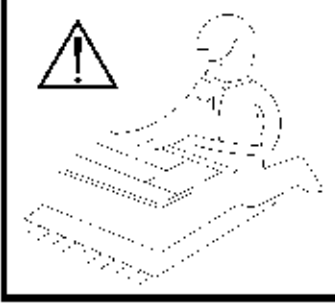


Colli	Spare Part	Dimension
Colli 2/6	KUH.10449	720x560x16
	KUH.10450	720x560x16
	KUH.40008	567x485x16
	KUH.40150	567x485x16
	KUH.60195	80x585x2,5
	KUH.70996	596x83x16
	KUH.90286	567x42x16





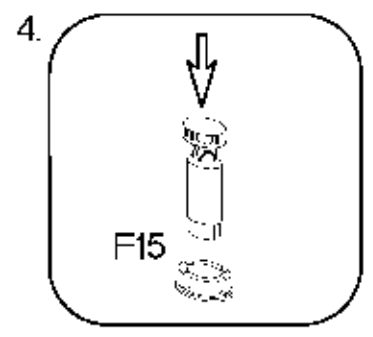
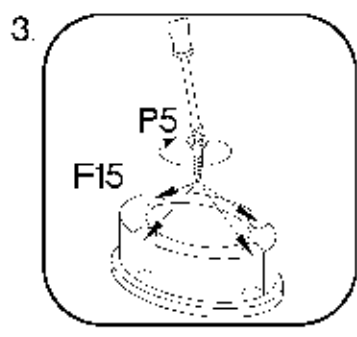
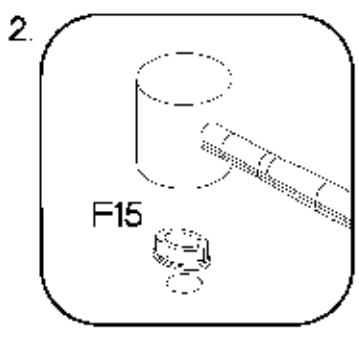
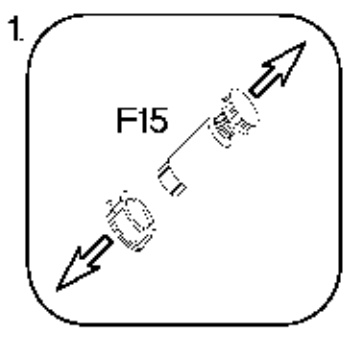
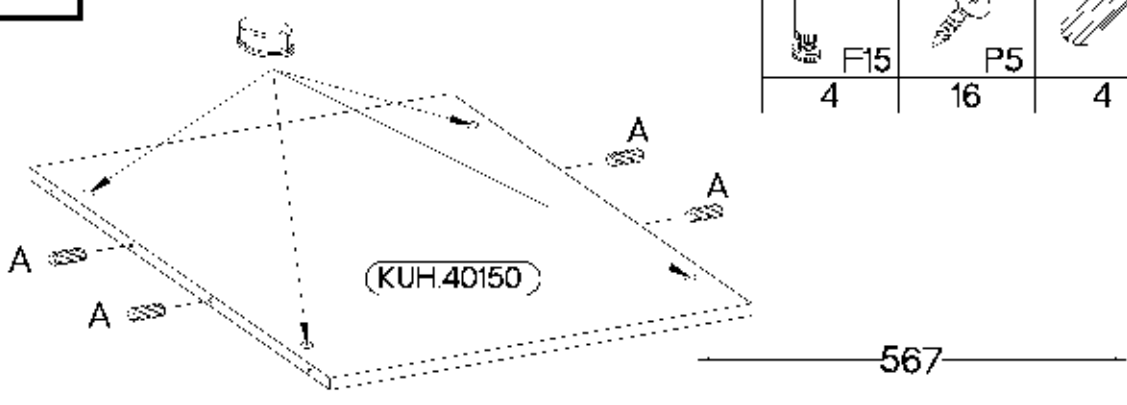
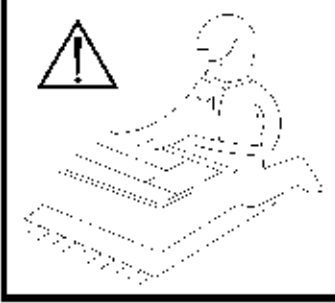
$\pm 8 \times 30 \text{mm}$	$\pm 3.5 \times 13 \text{mm}$	$\pm 4.0 \times 16 \text{mm}$
		
A	L28	P5
4	2	8
		
T4	P1	
2	4	



2

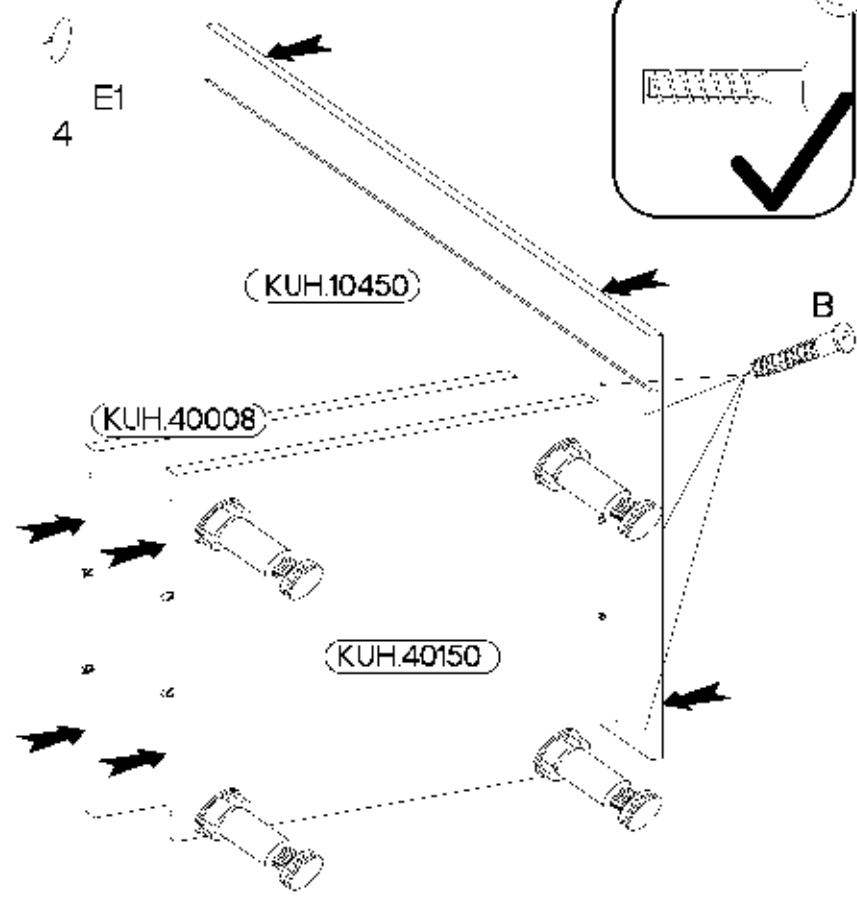
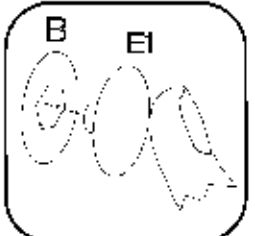
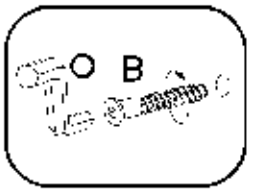
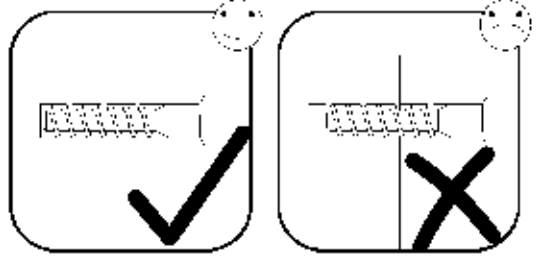
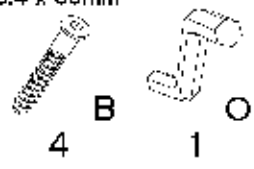
F15

L=35 170cm F15	+3.5x13mm P5	+8x30mm A
4	16	4



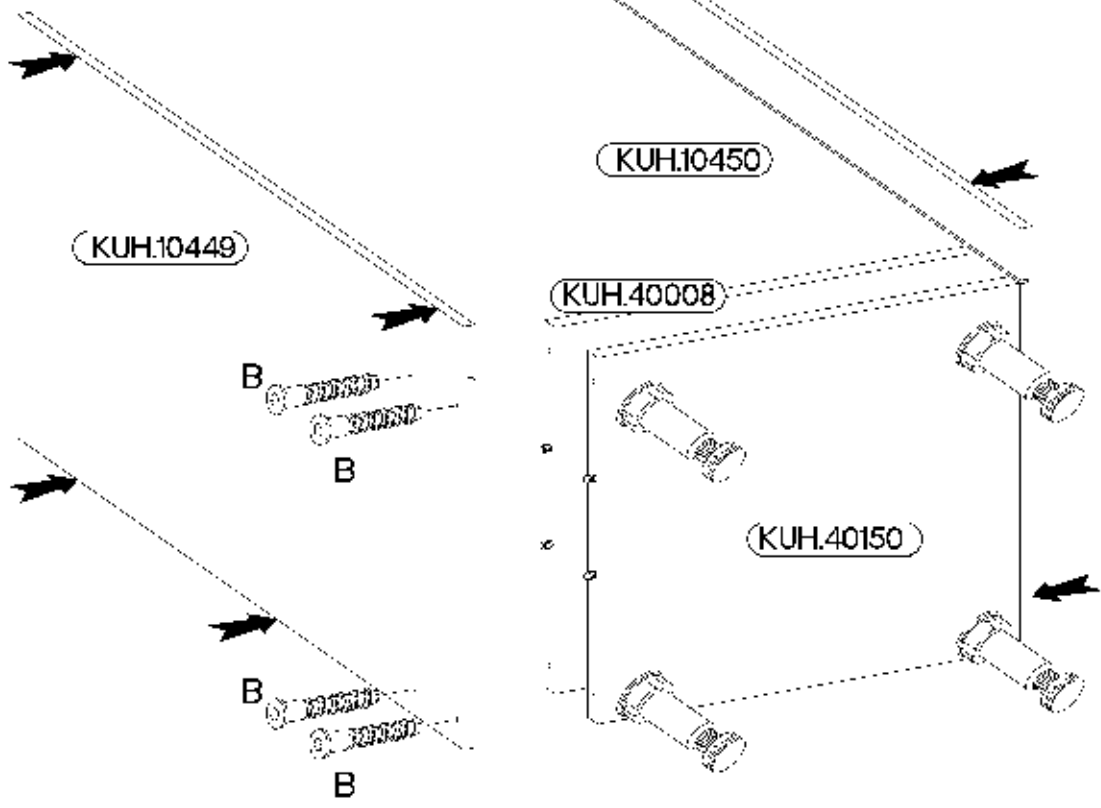
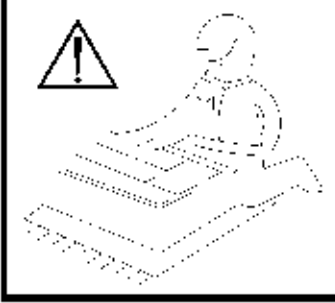
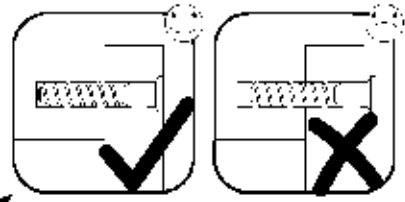
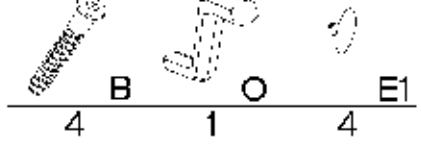
3

6.4 x 50mm



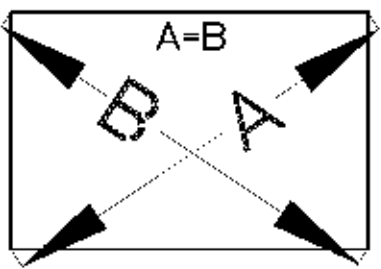
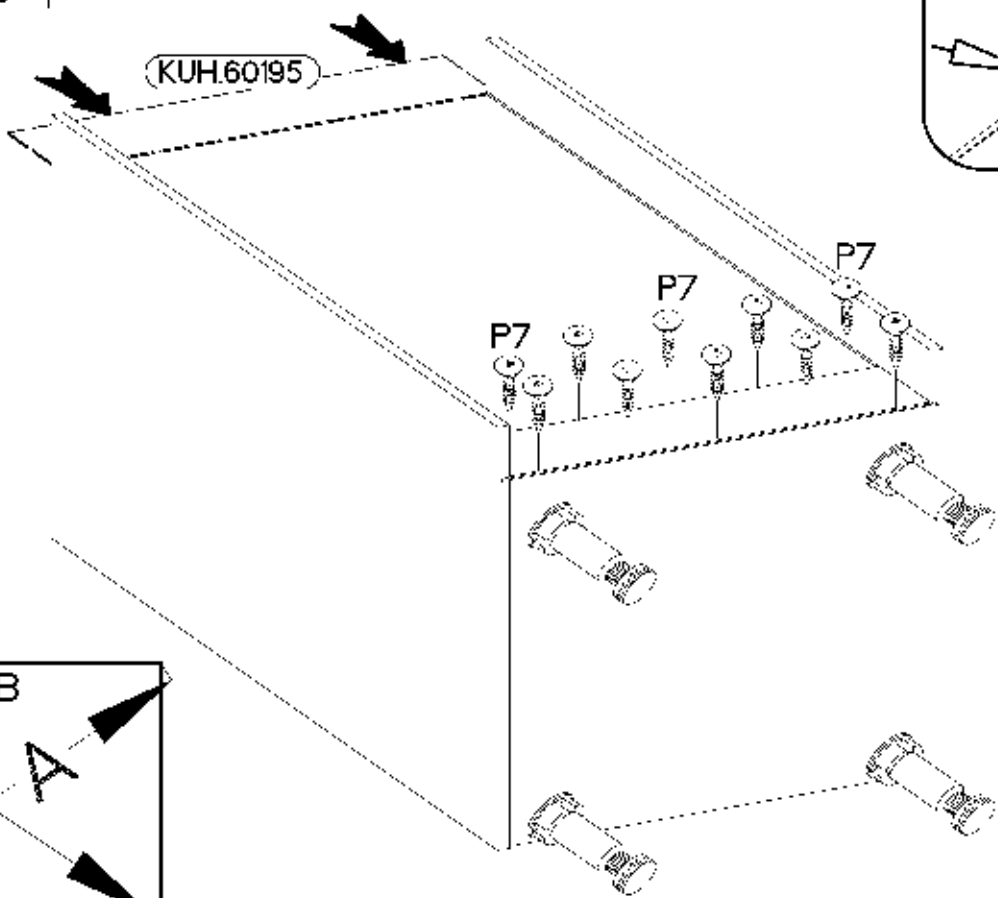
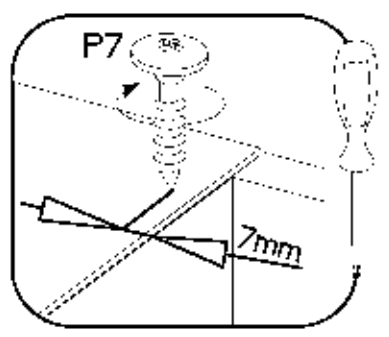
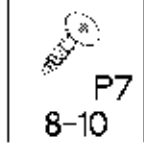
4

6,4 x 50mm



5

4.9x20mm

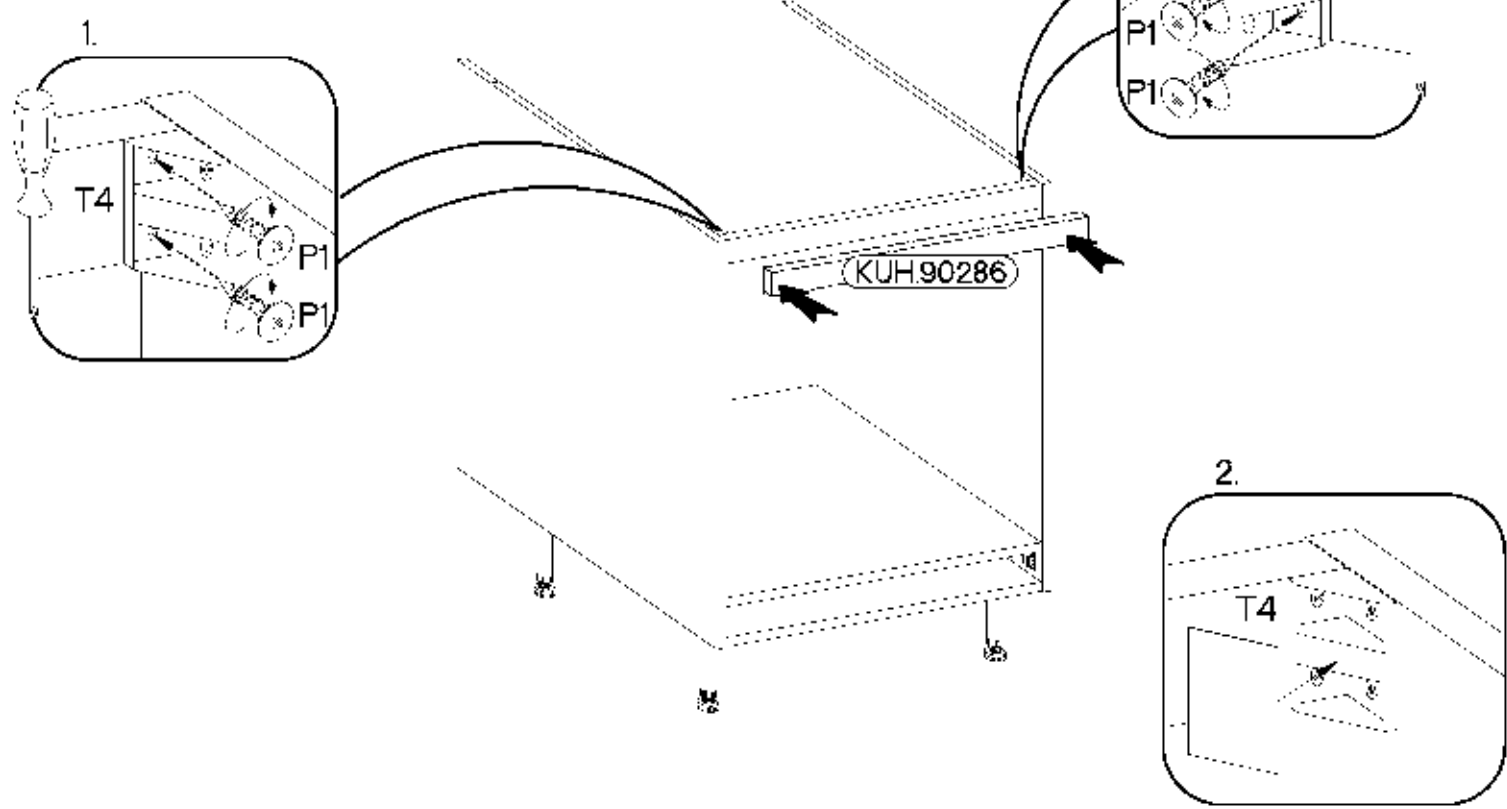


6

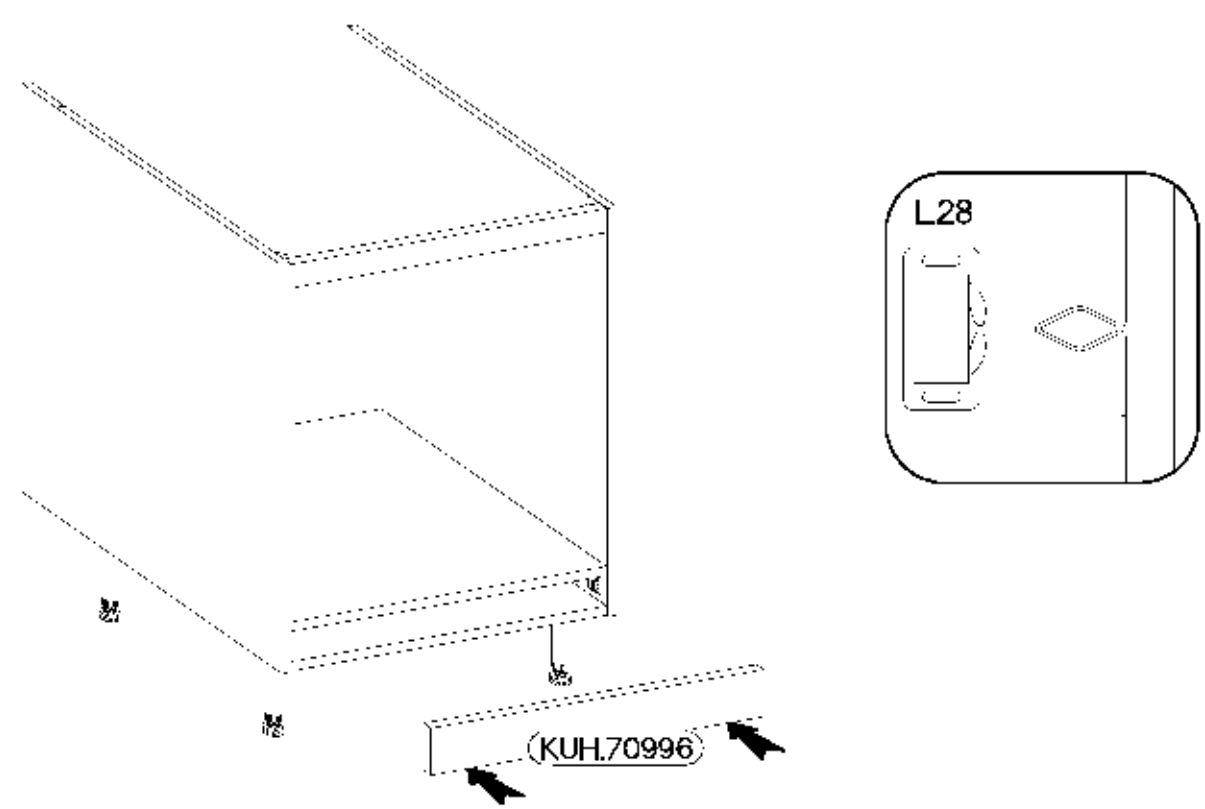
4.0x16mm



P1  
4



7



43.5x19mm



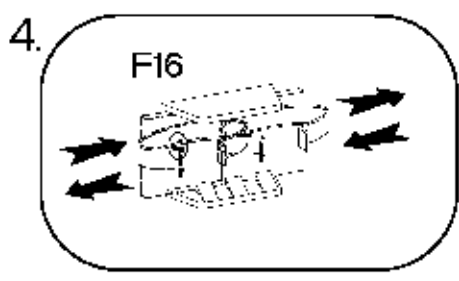
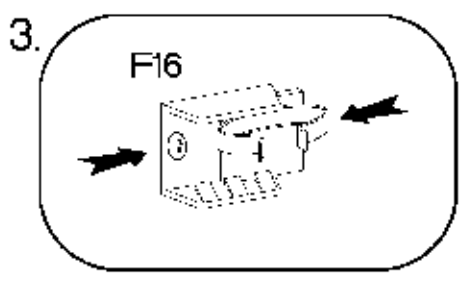
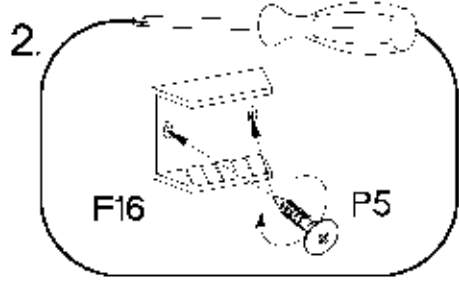
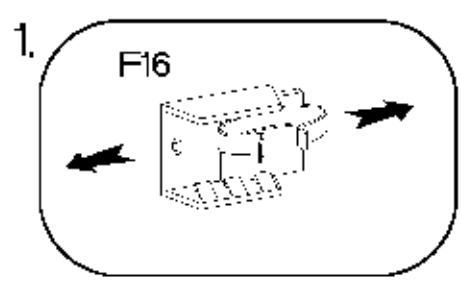
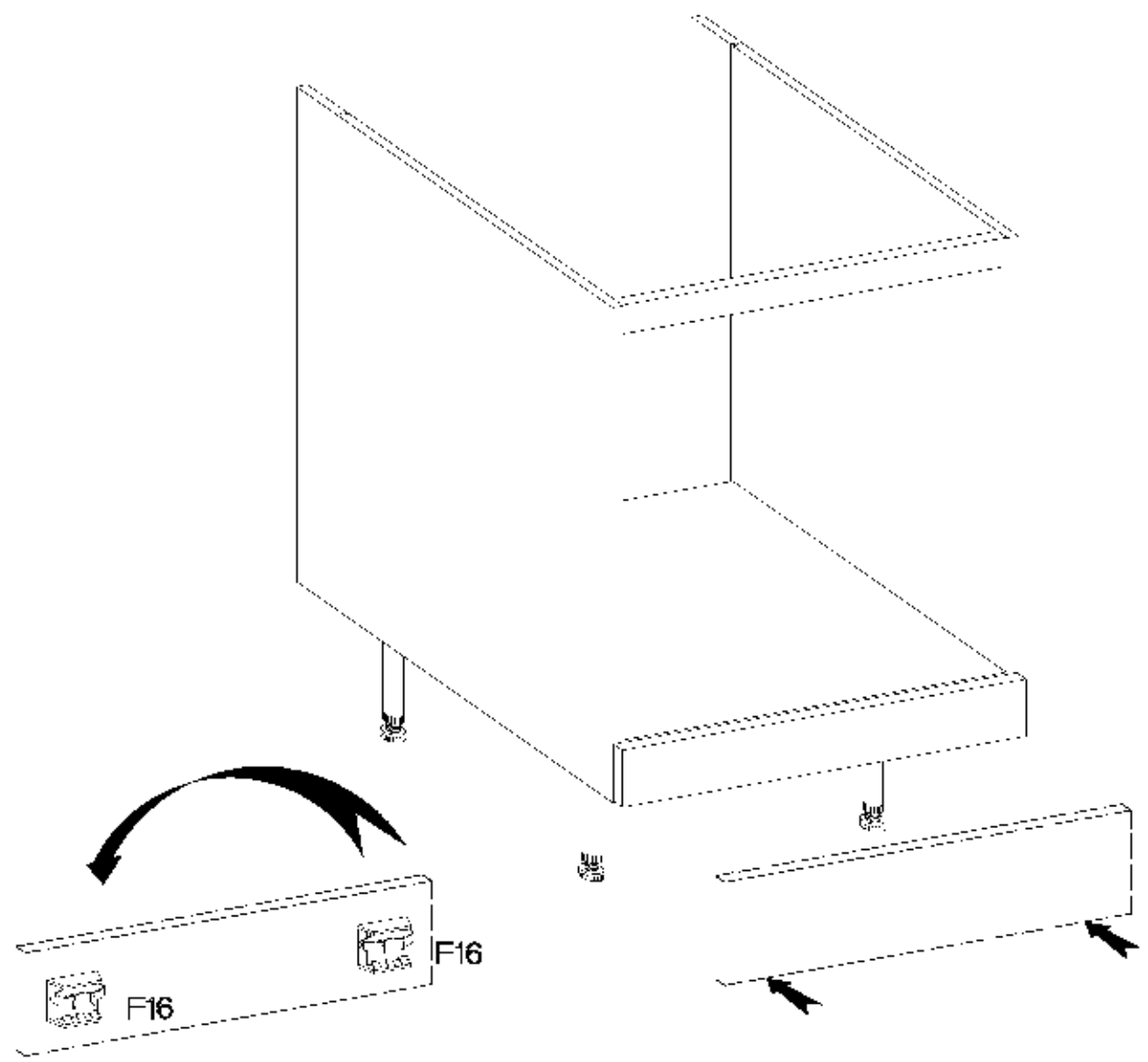
P5

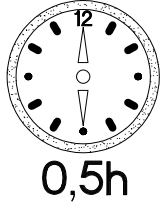
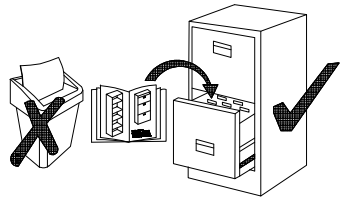
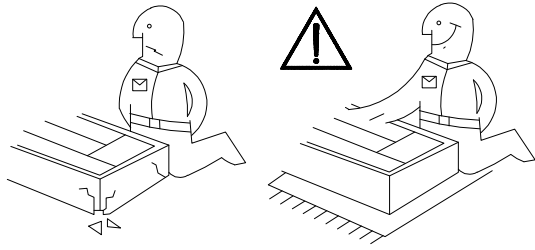
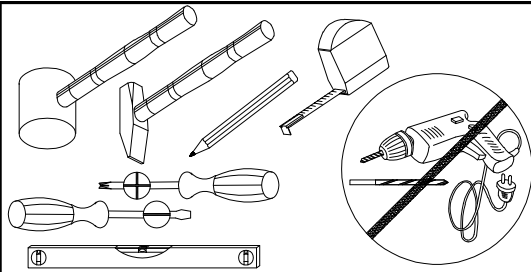
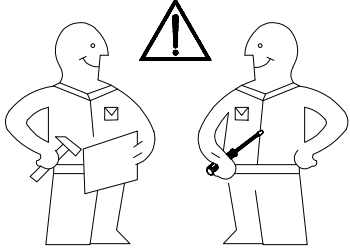
4



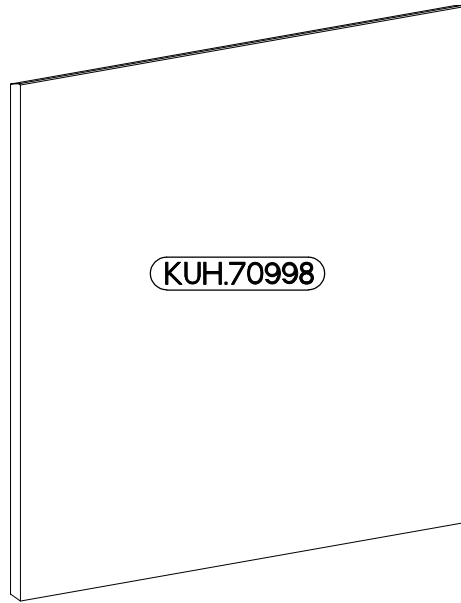
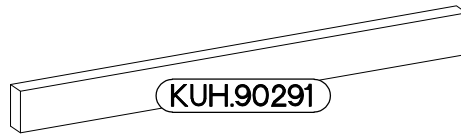
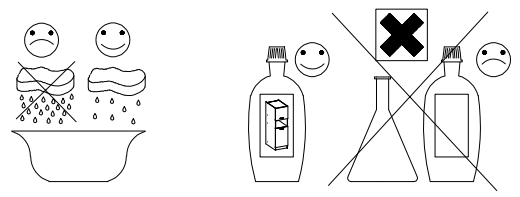
F16

2





84-200-...  
ADANA  
Zeile 200  
Geschirrspüler Umbau

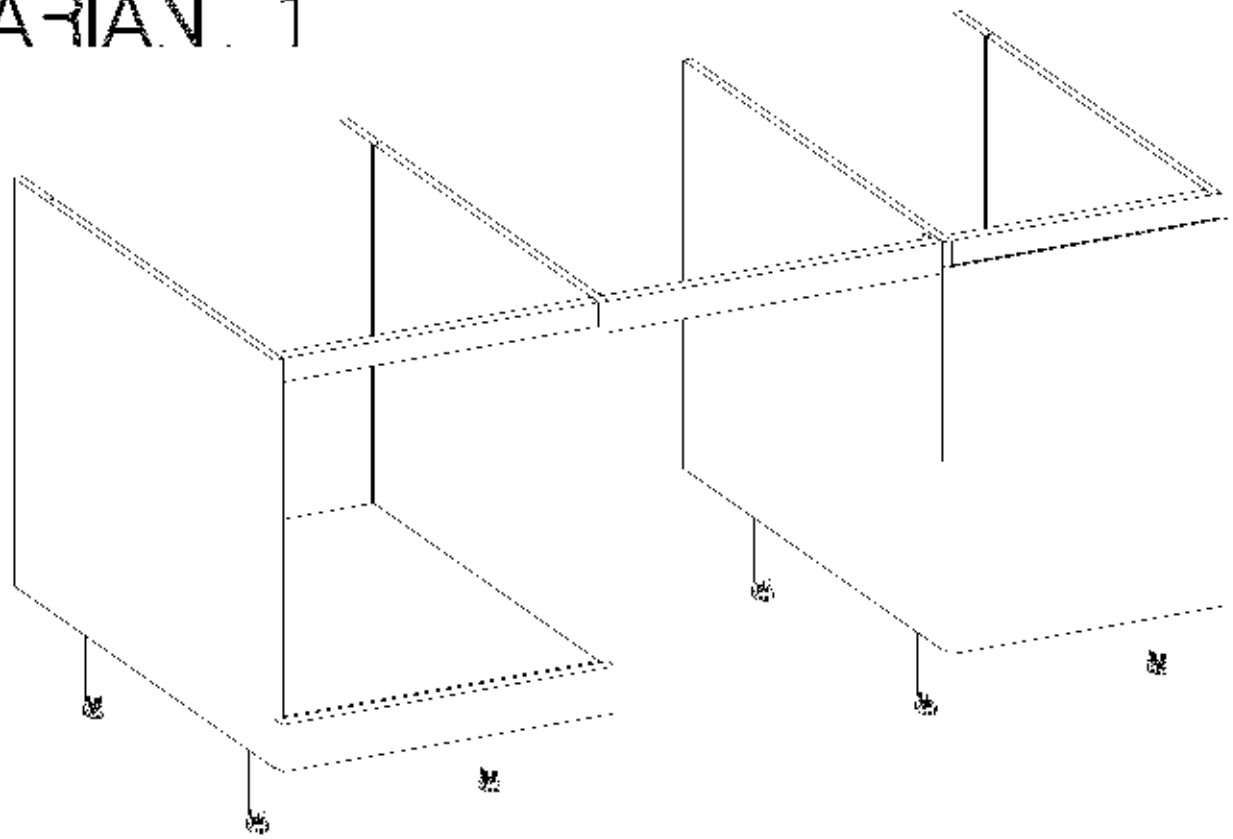


	4.0x16mm
T4	P1
2	8

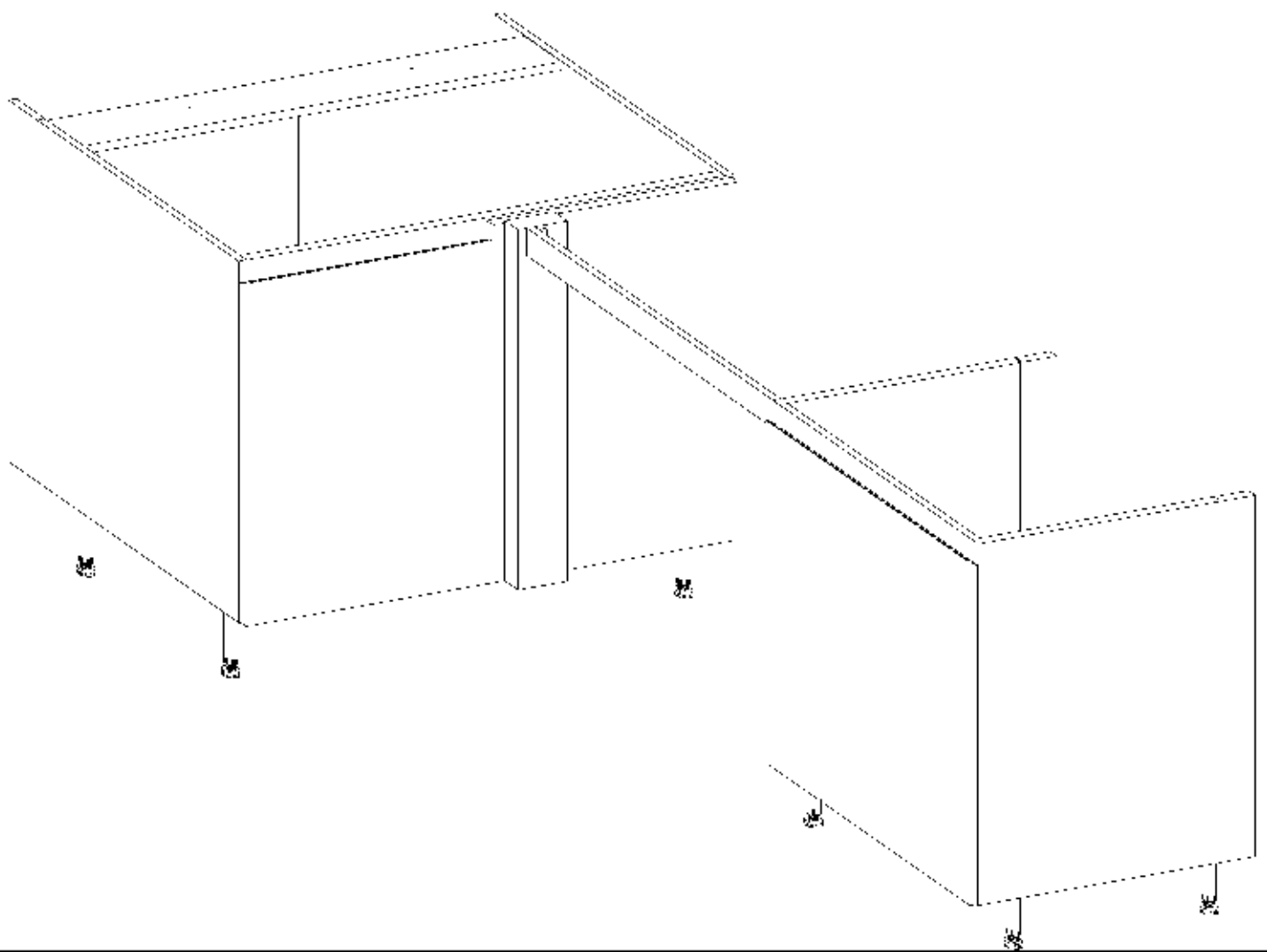
Colli	Spare Part	Dimension
Colli 2/6	KUH.70998	683x596x16
	KUH.90291	599x55x16

ISM-KUH-01721

# VARIANT 1

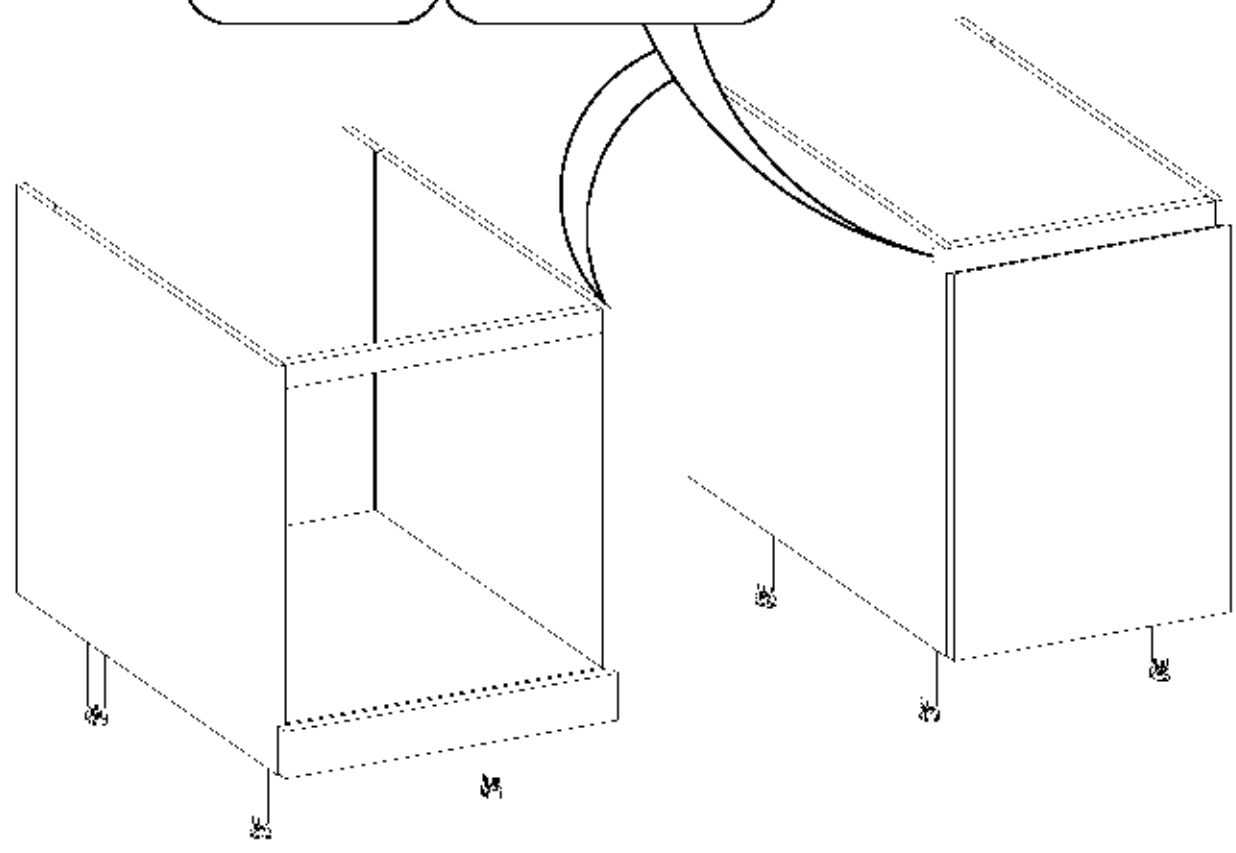
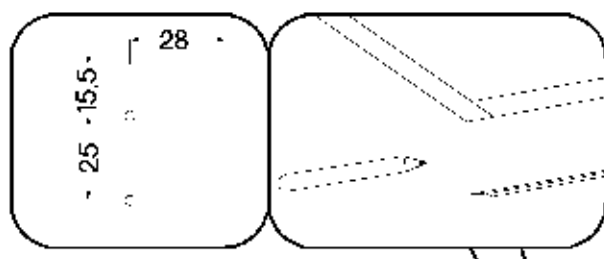


# VARIANT 2

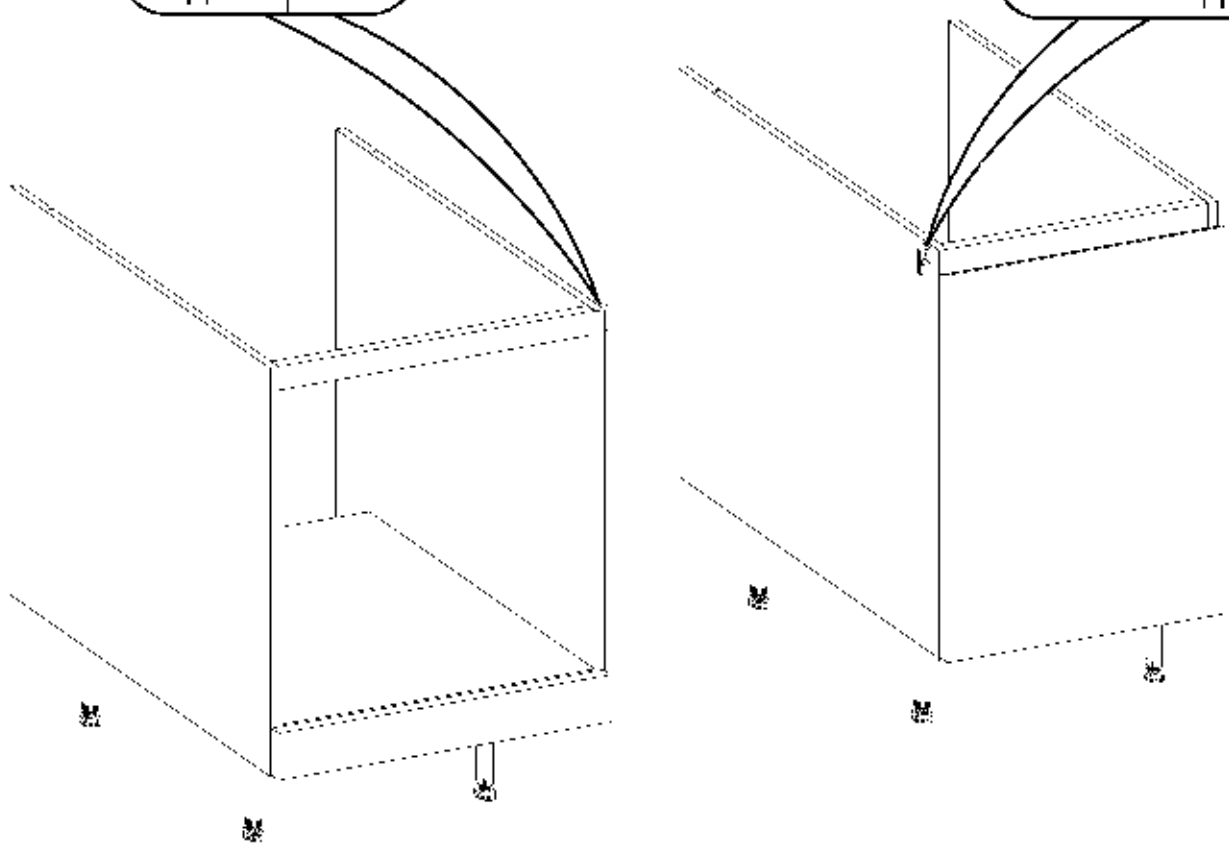
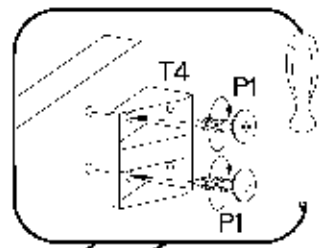
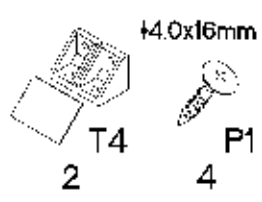
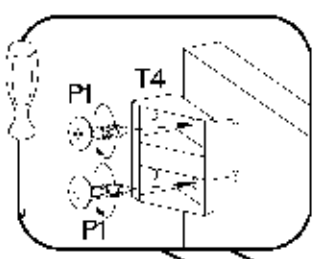


1

# VARIANT 1



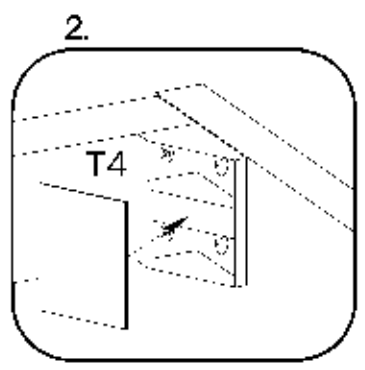
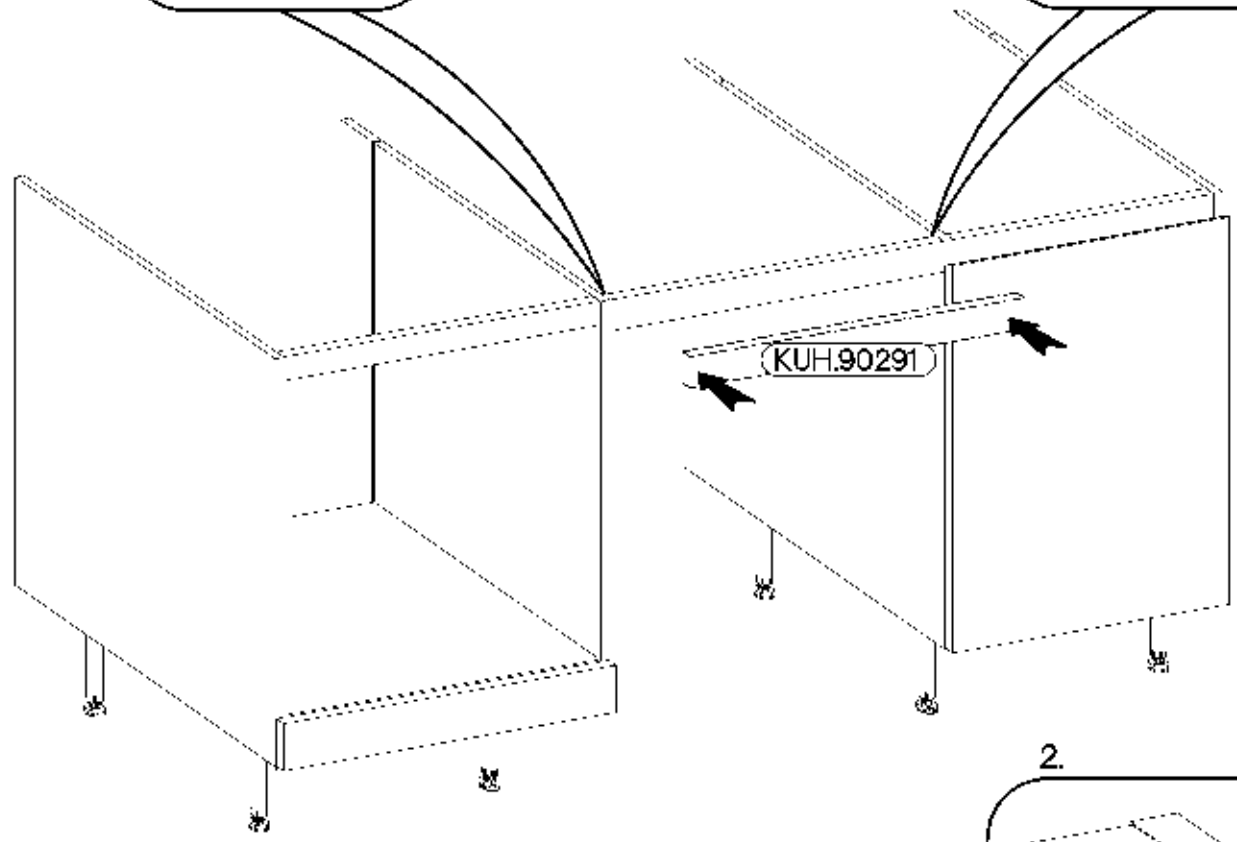
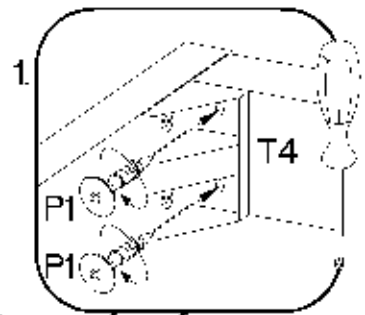
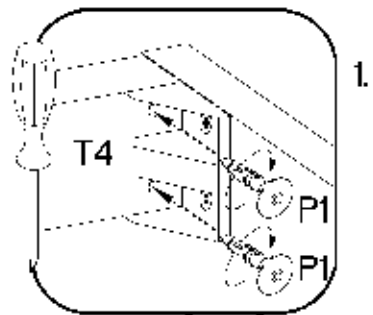
2





3

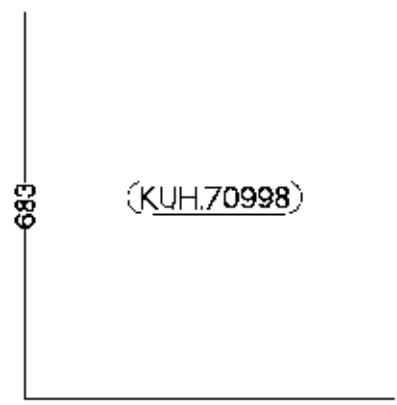
4.0x16mm



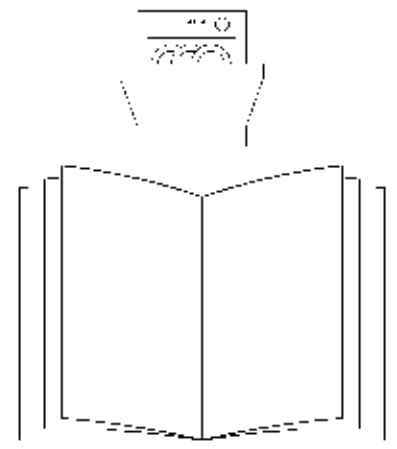
4

FRONT

596

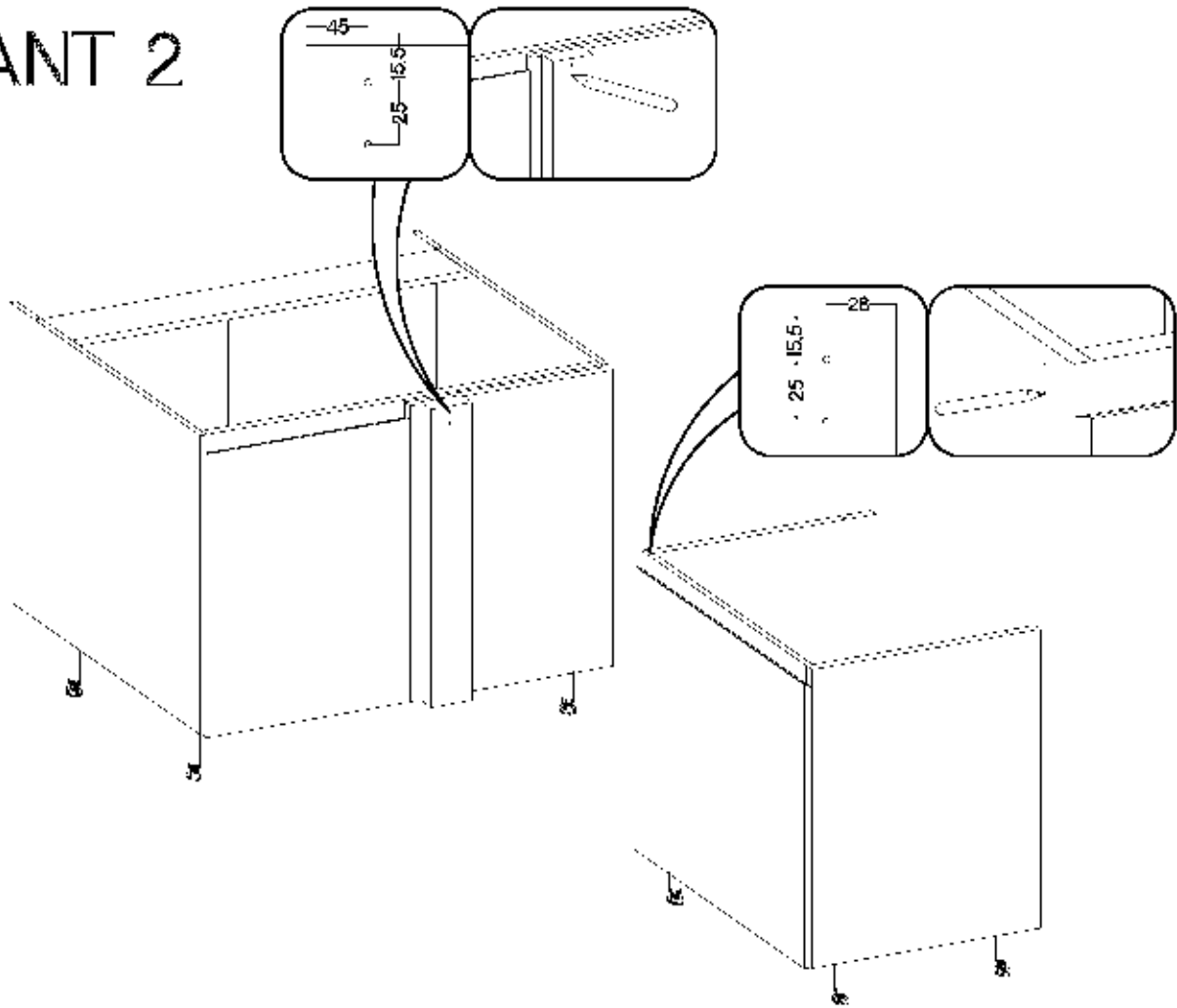


(KUH.70998)

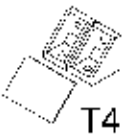



5

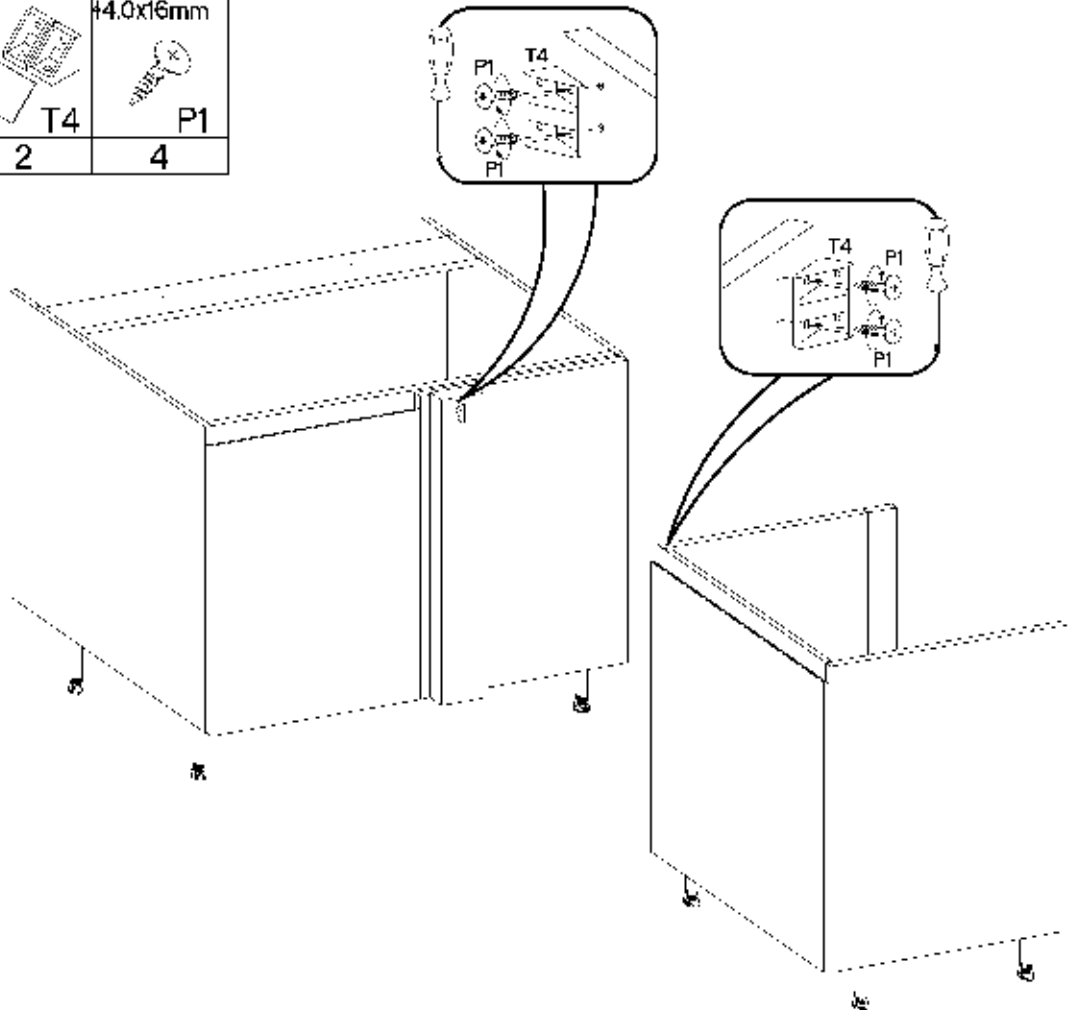
# VARIANT 2



6

	
T4	P1
2	4

4.0x16mm



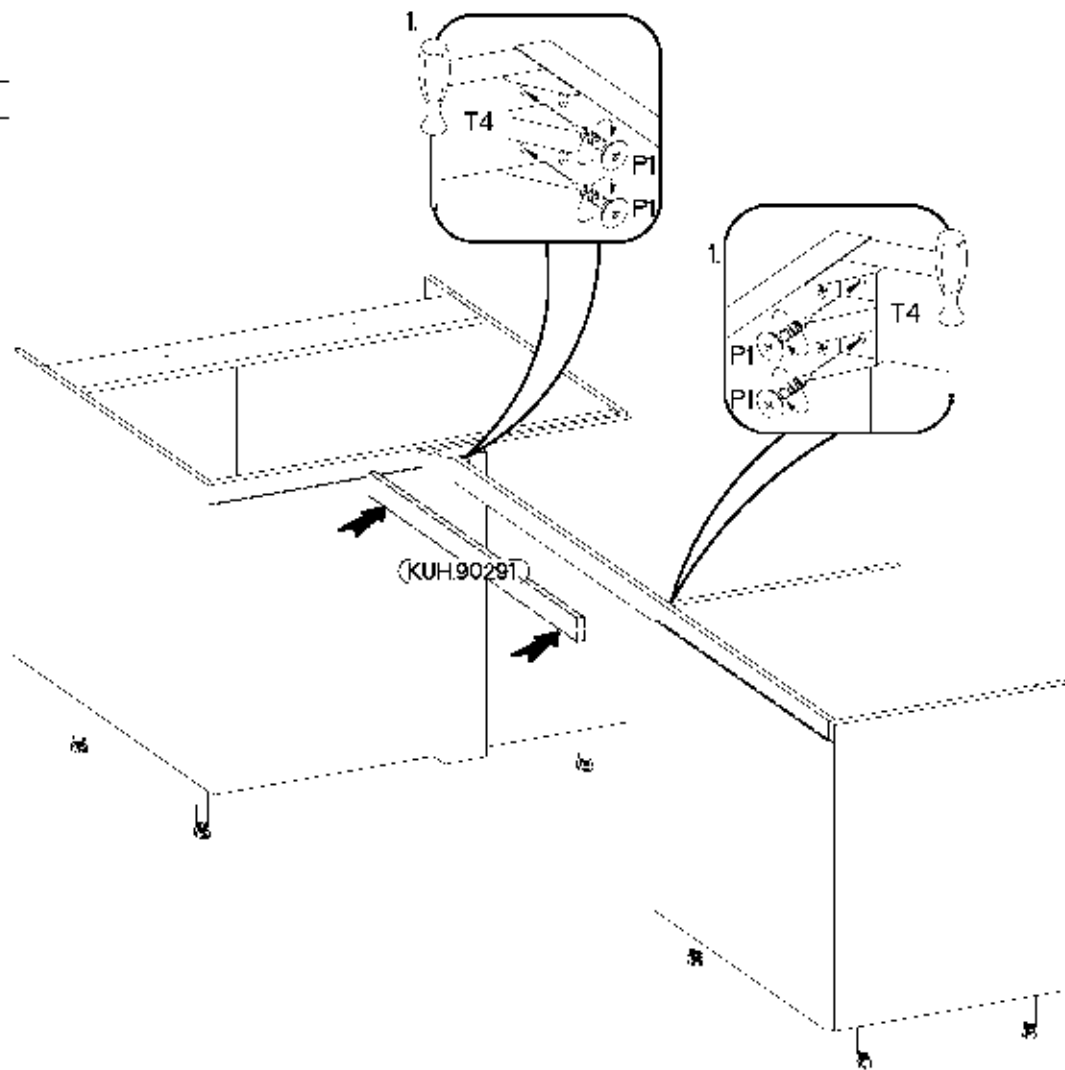
7

4.0x16mm



P1

4



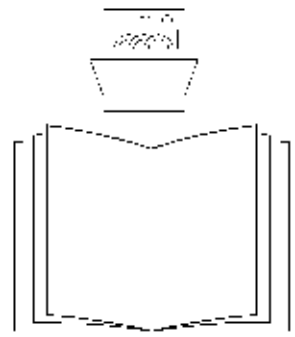
8

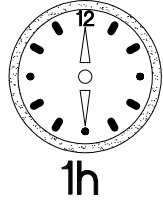
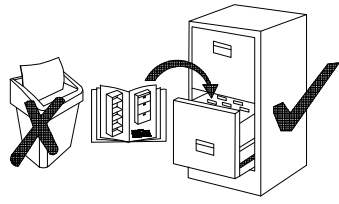
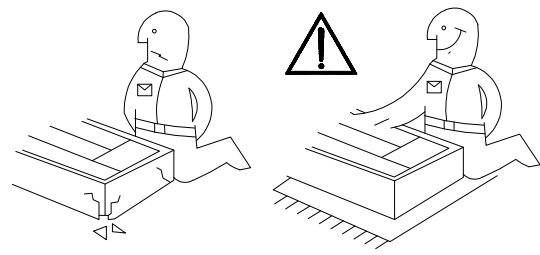
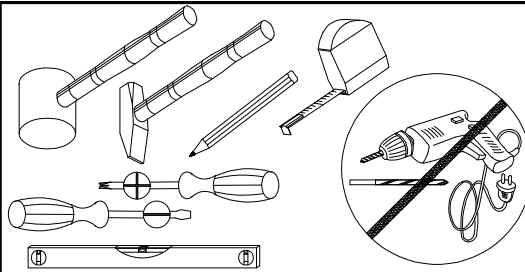
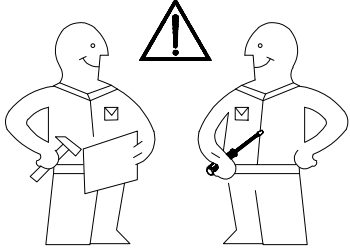
FRONT

596

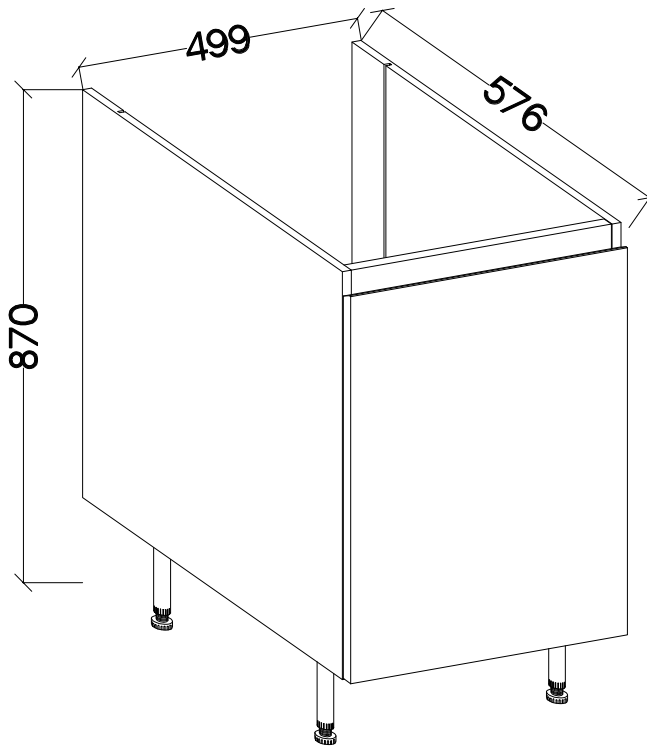
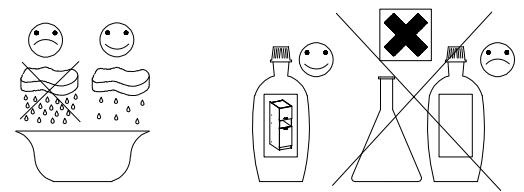
583

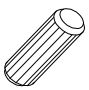

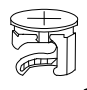


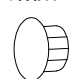

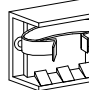

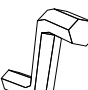

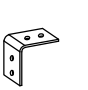
(KUH.70998)



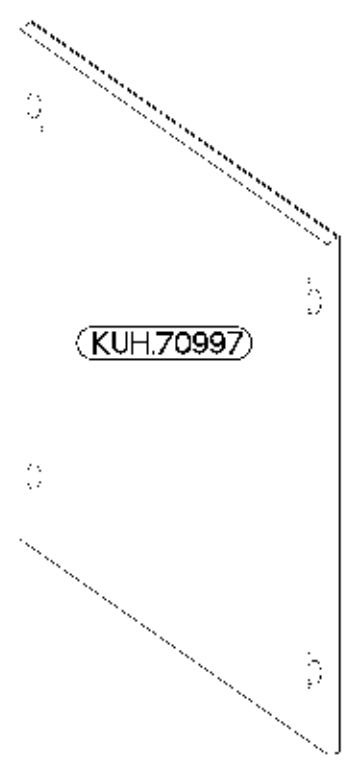
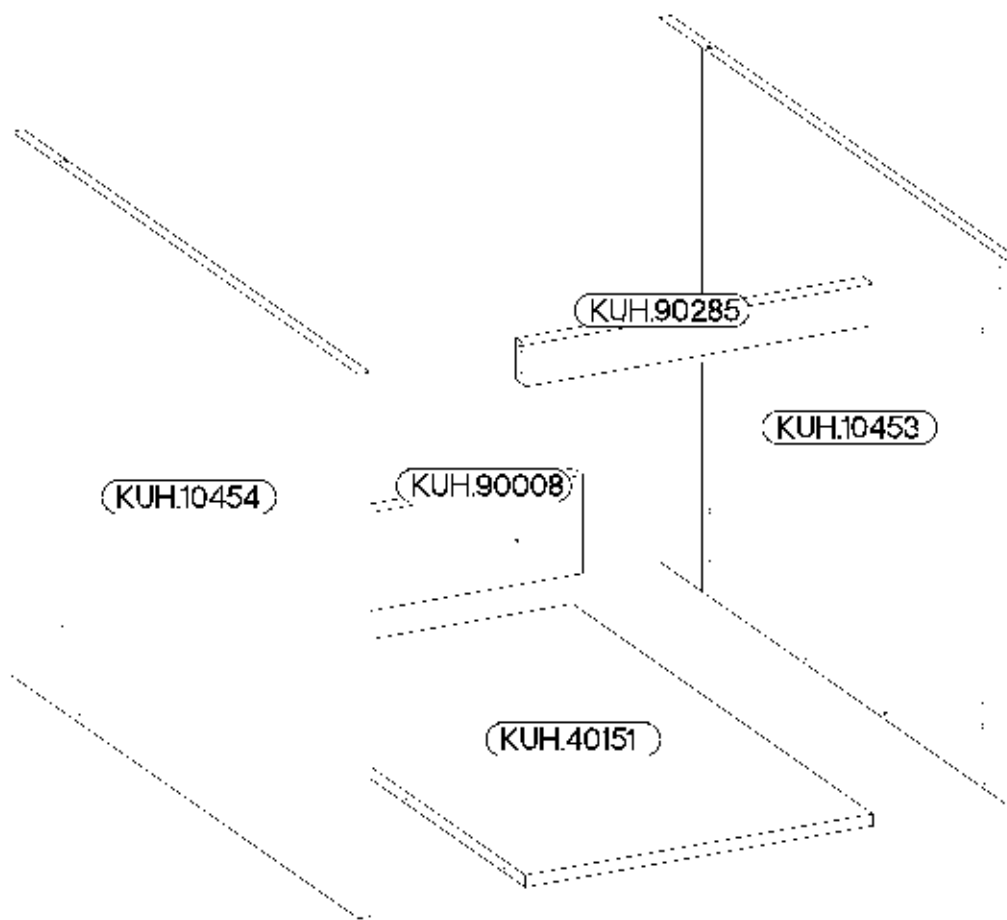


84-200-...  
ADANA  
Zeile 200  
Unterschrank 1T

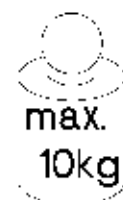


 +8x30mm A	 6,4 x 50mm B	 +15/12mm C	 L=20mm D2	 E1	 +35mm E5
8	6	2	2	6	2
 L=135-170cm F15	 F16	 +35/0mm HG	 O	 +3.5x13mm P5	 T10
4	2	2	1	32	2

ISM-KUH-01722



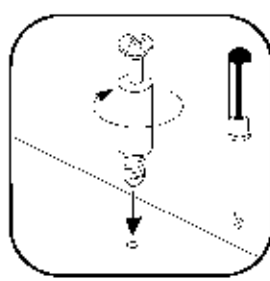
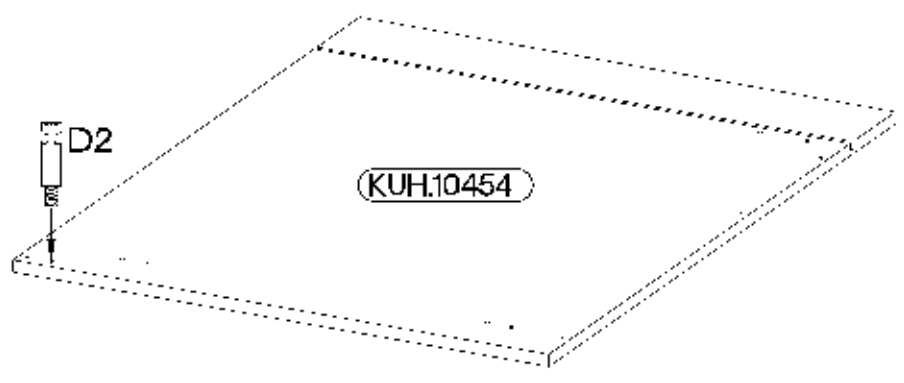
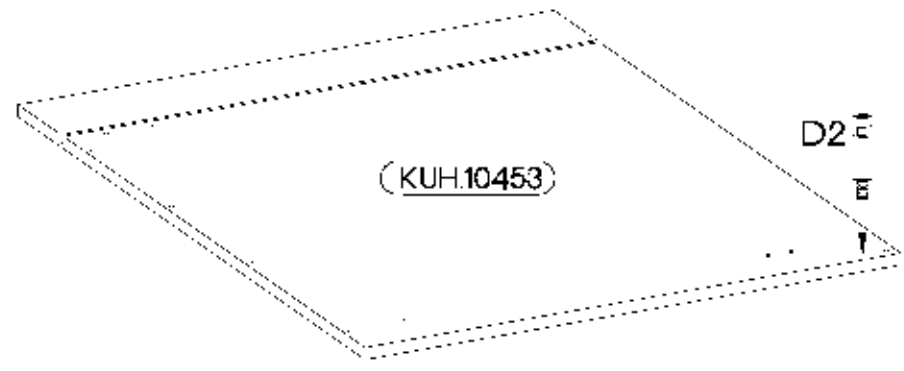
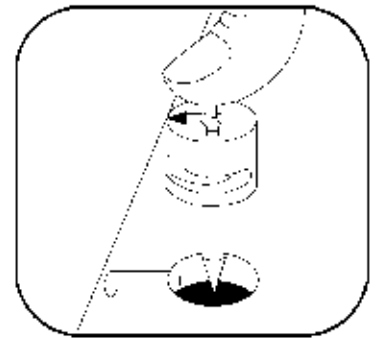
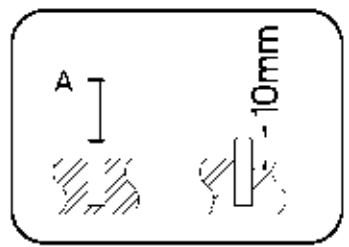
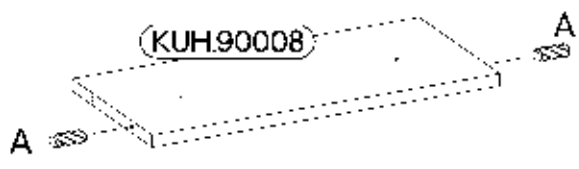
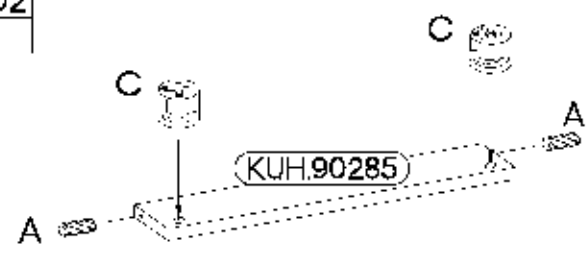
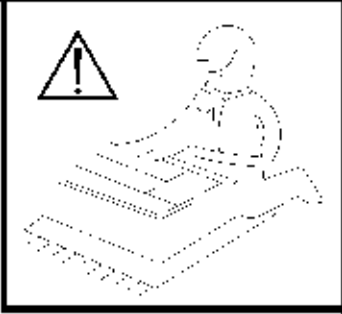
Colli	Spare Part	Dimension
Colli 3/6	KUH.10453	720x560x16
	KUH.10454	720x560x16
	KUH.40151	467x485x16
	KUH.70997	683x496x16
	KUH.90008	467x130x16
	KUH.90285	467x55x16



**KUH.40151**

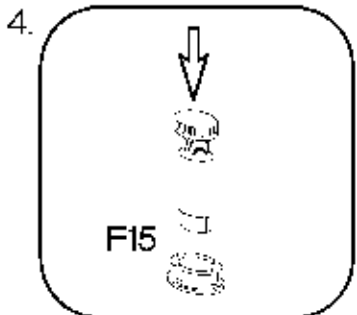
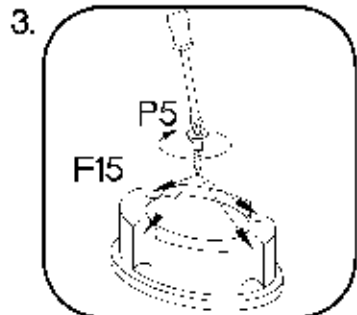
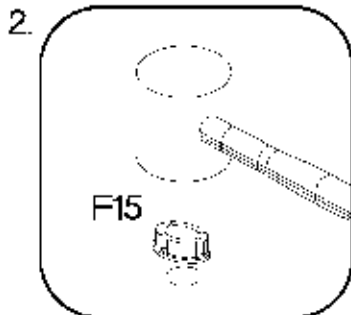
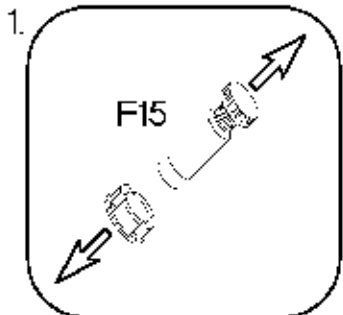
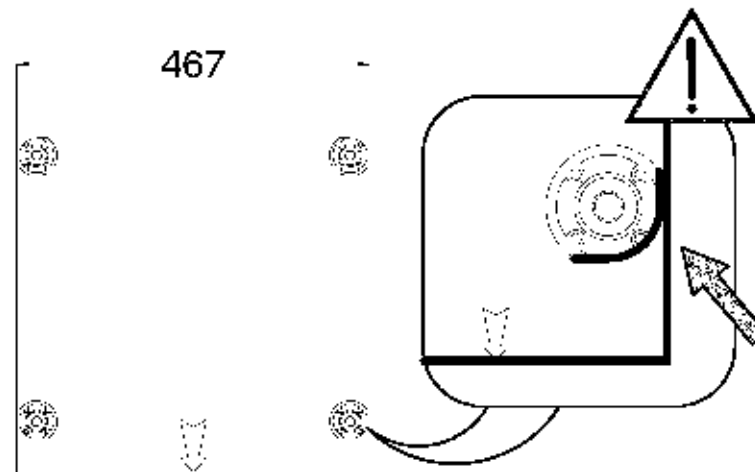
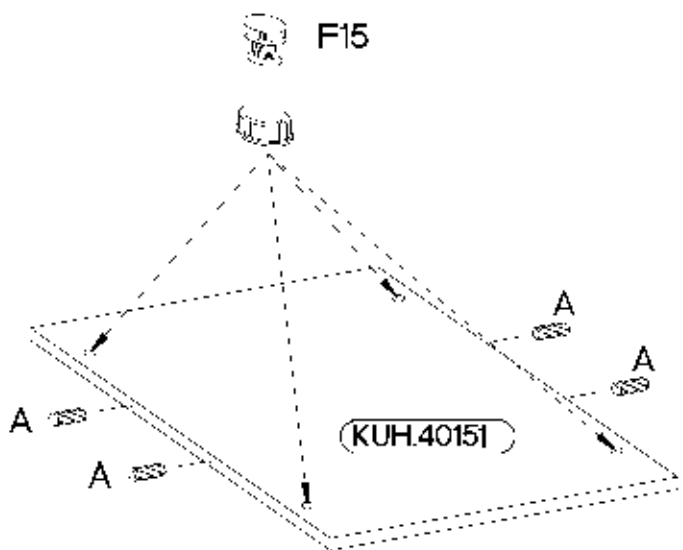
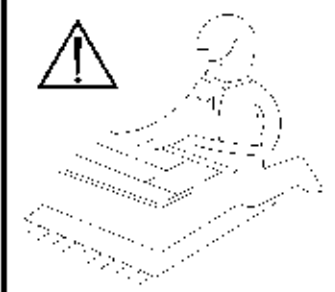


$\varnothing 8 \times 30 \text{mm}$	$\varnothing 15 / 12 \text{mm}$	L-20mm
A	C	D2
4	2	2

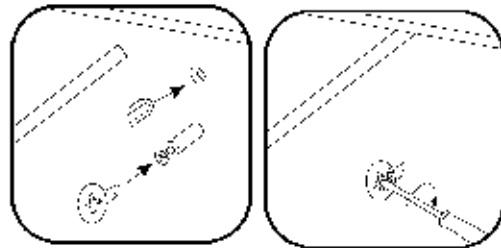
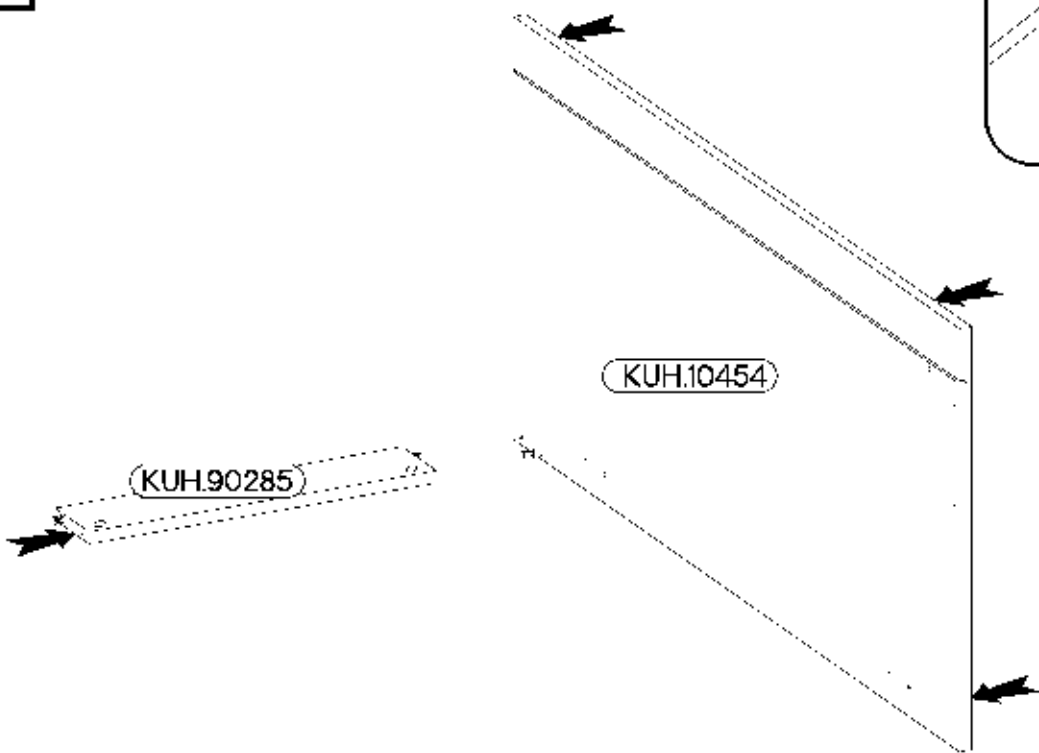


2

•8x30mm L=135 170cm •3.5x13mm

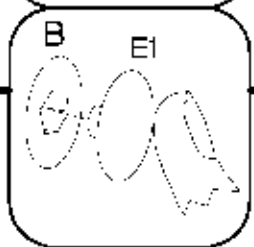
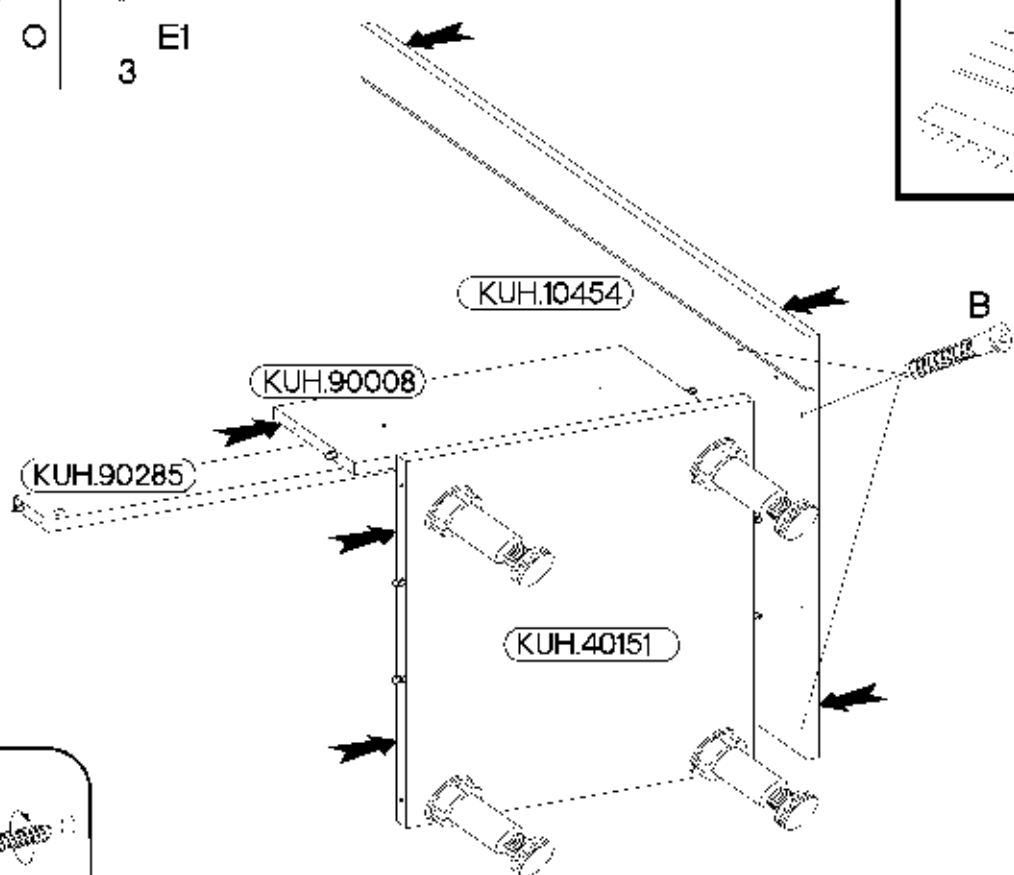
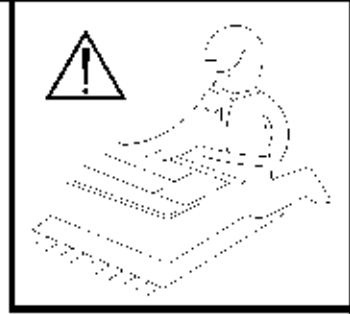
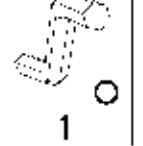
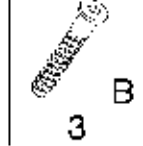


3

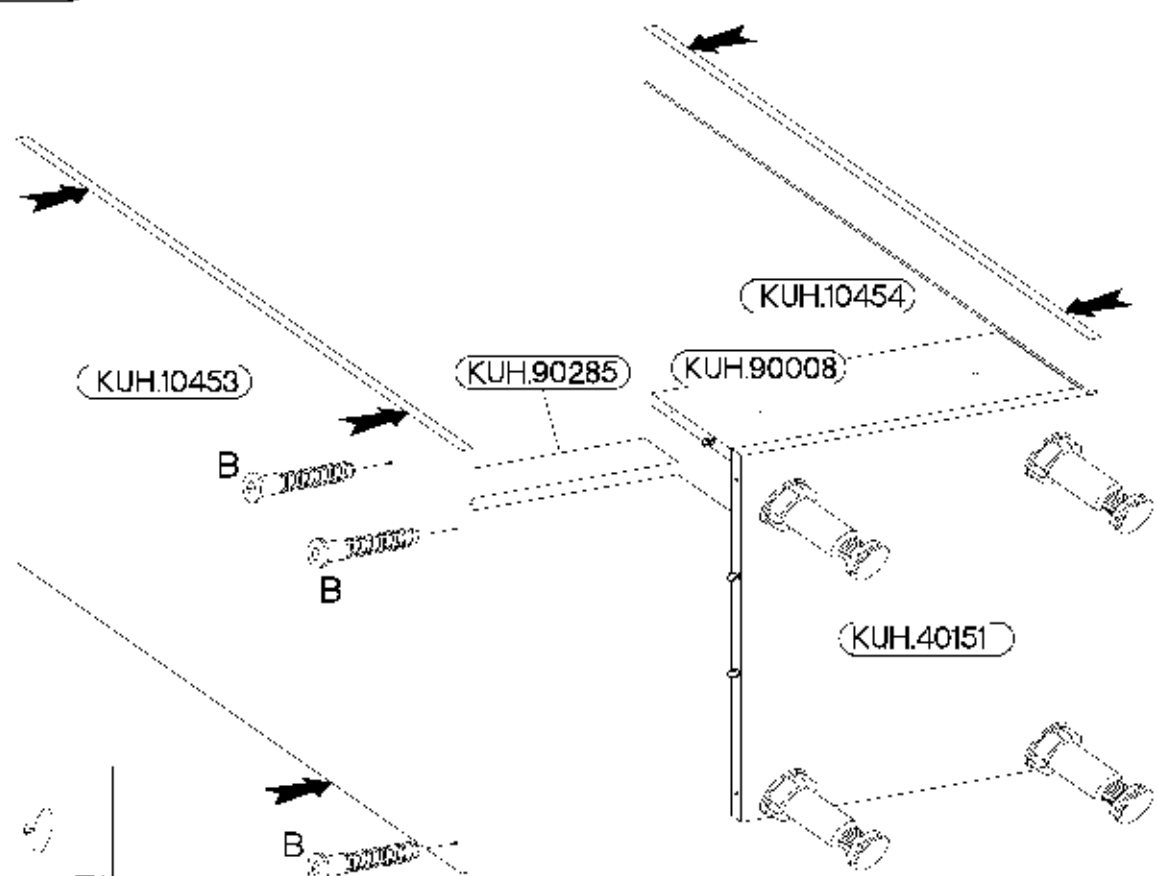
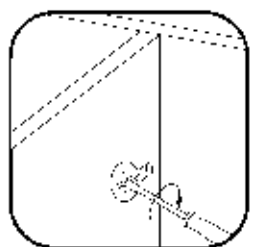
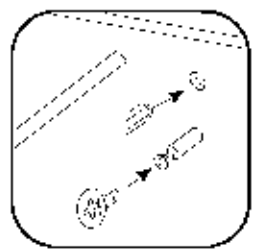
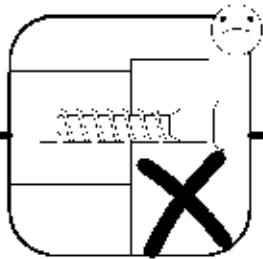
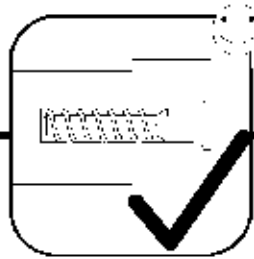


4

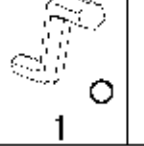
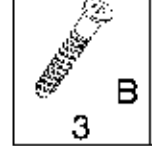
6,4 x 50mm



5



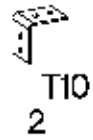
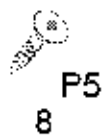
6,4 x 50mm



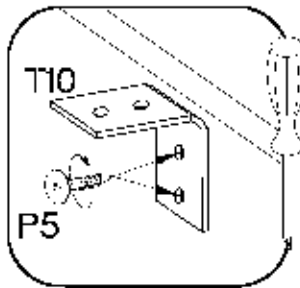


**6**

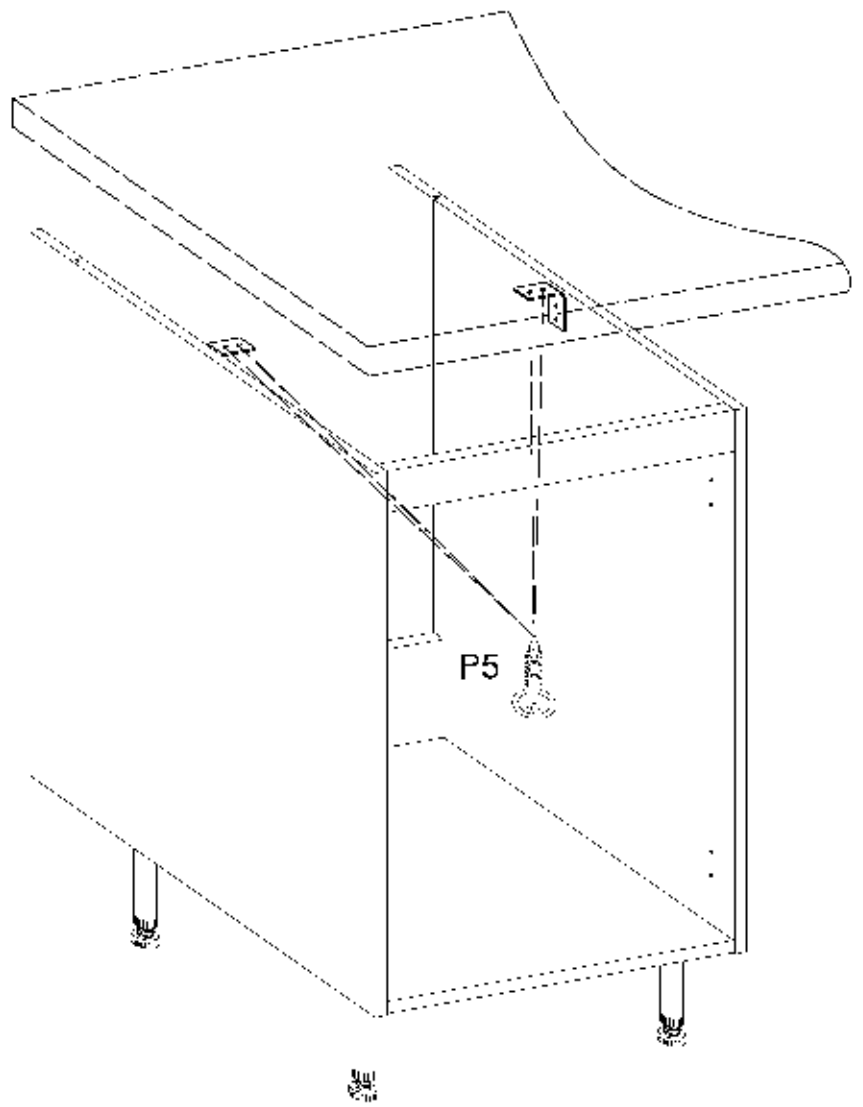
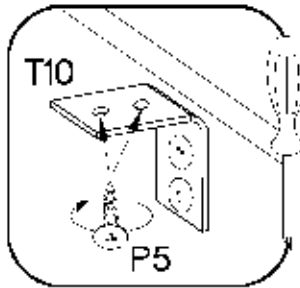
#3.5x13mm



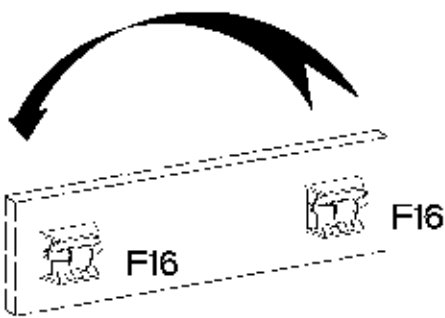
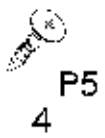
1.



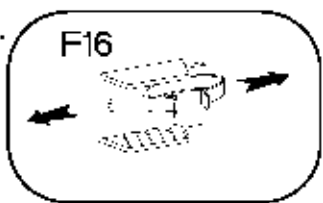
2.

**7**

#3.5x13mm



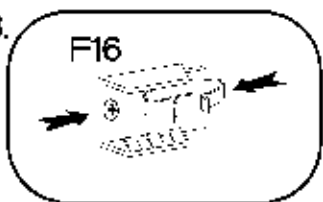
1.



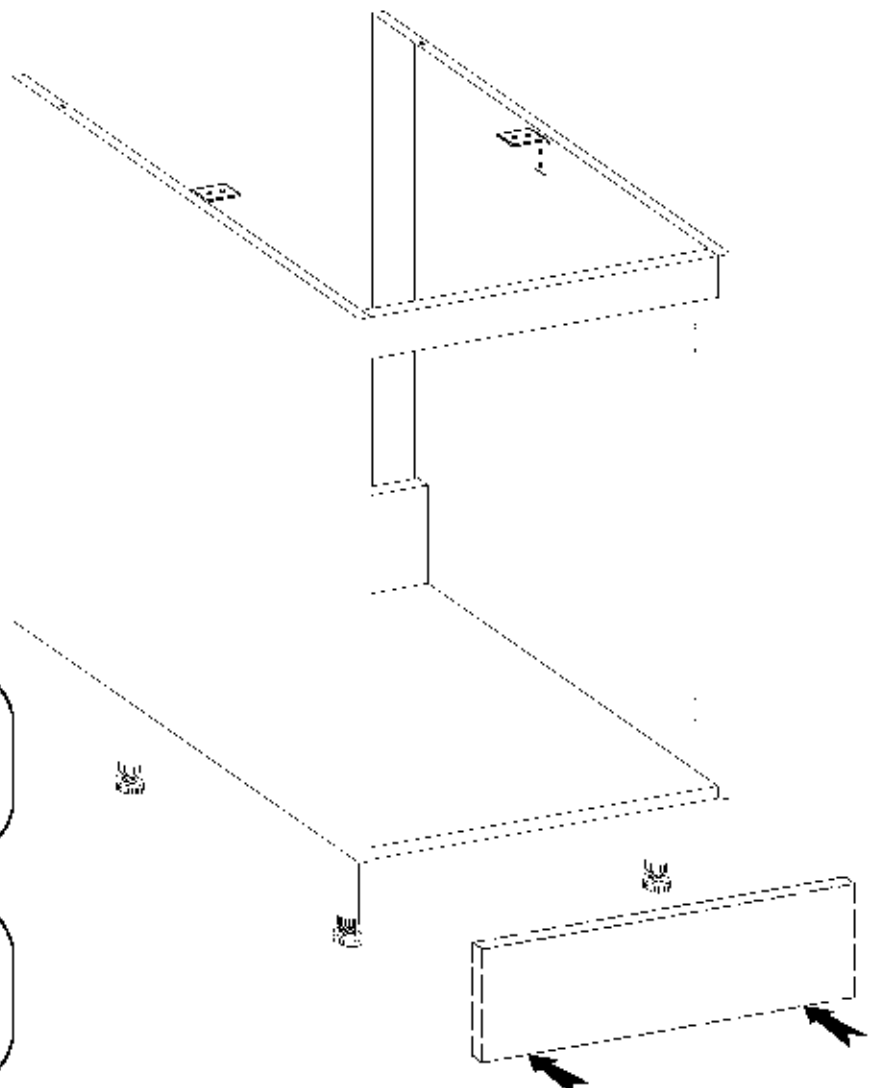
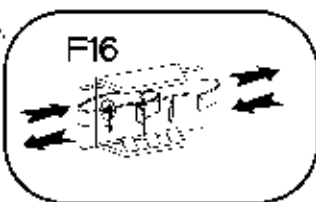
2.



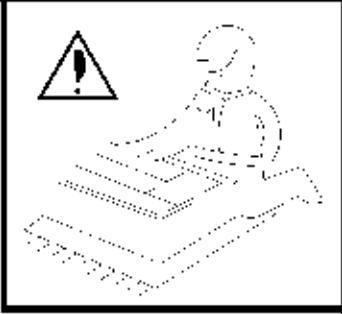
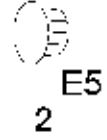
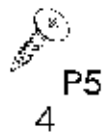
3.



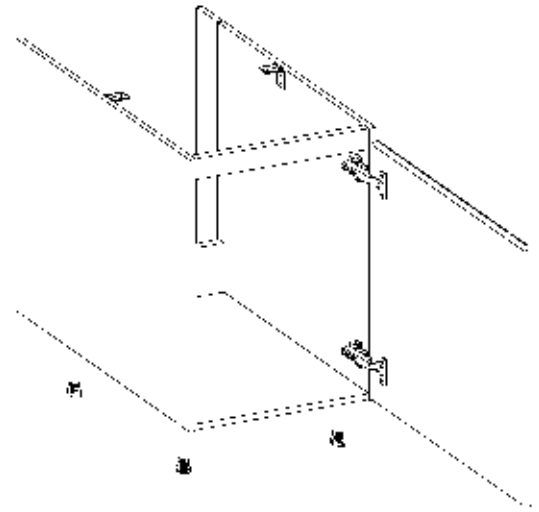
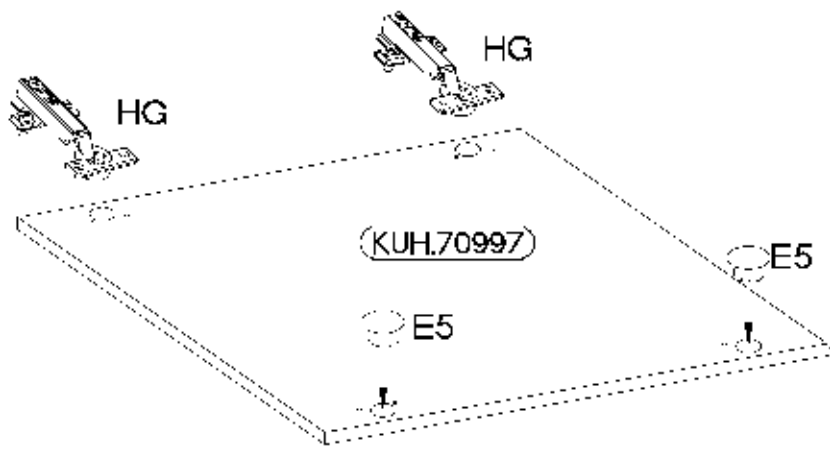
4.



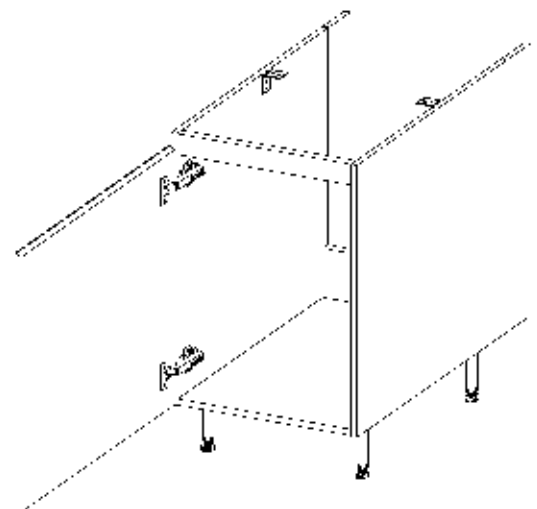
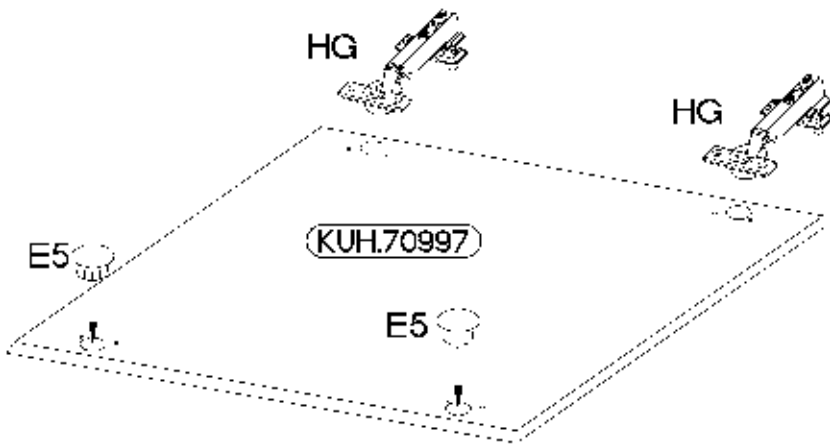
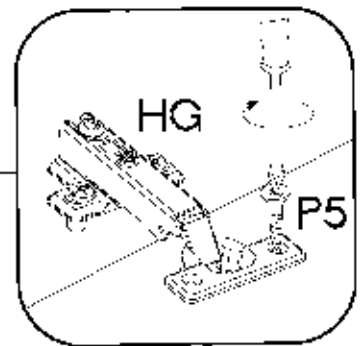
±35/0mm ±3.5x13mm ±35mm

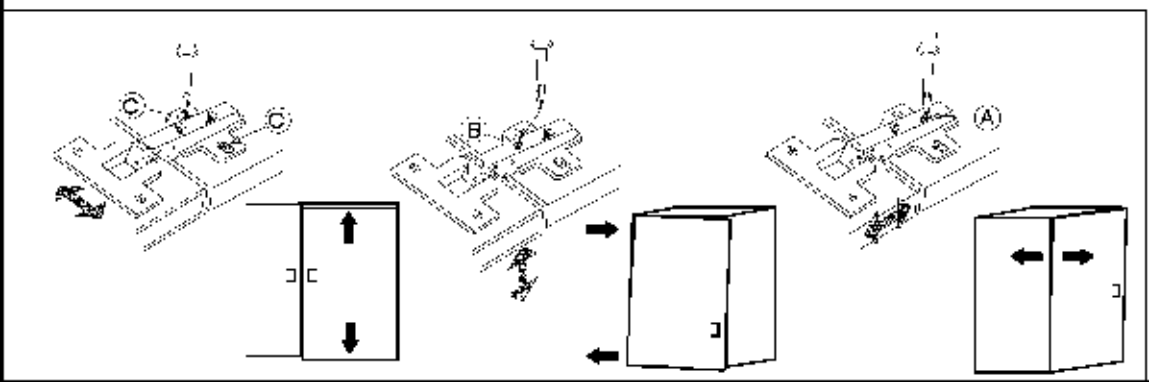
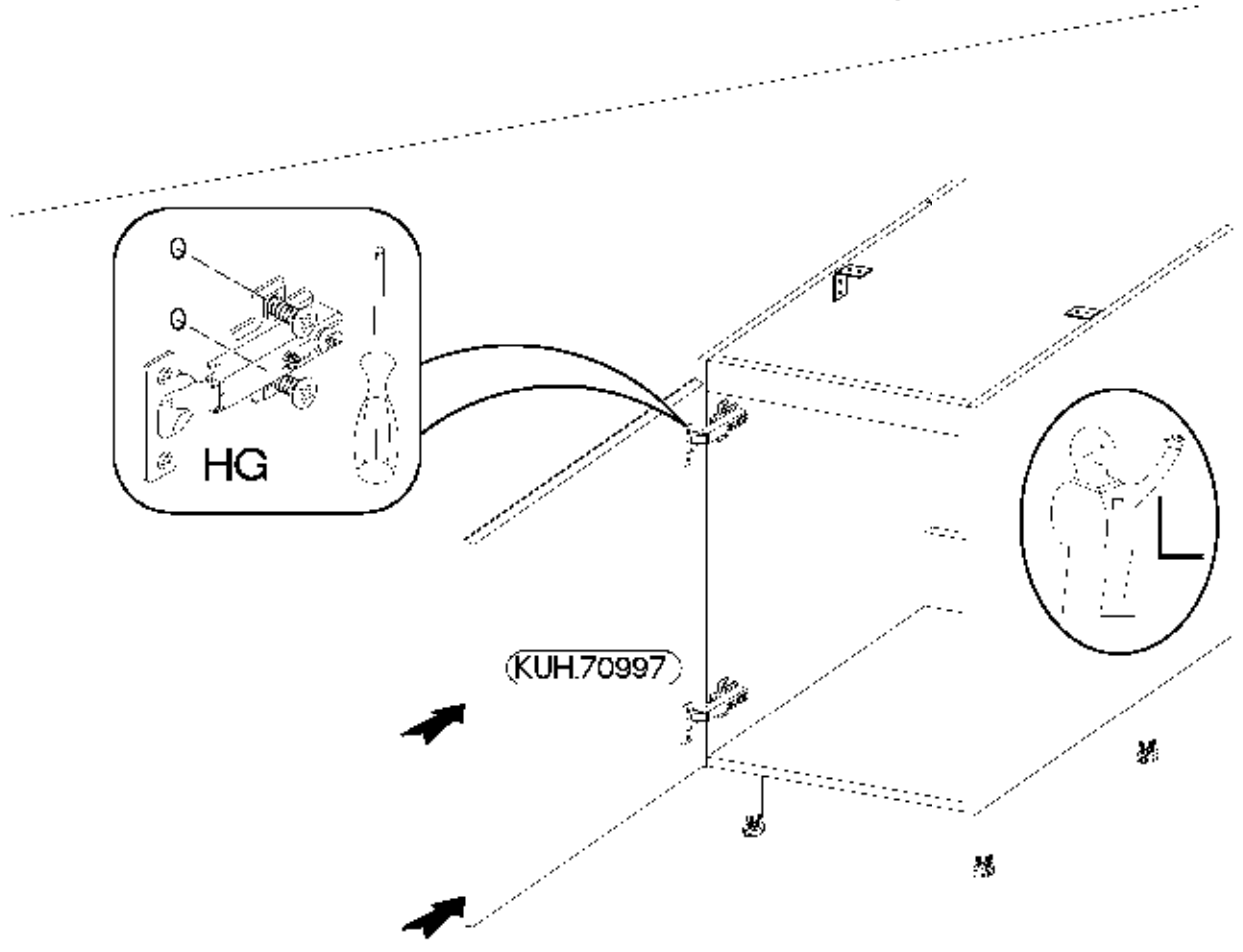
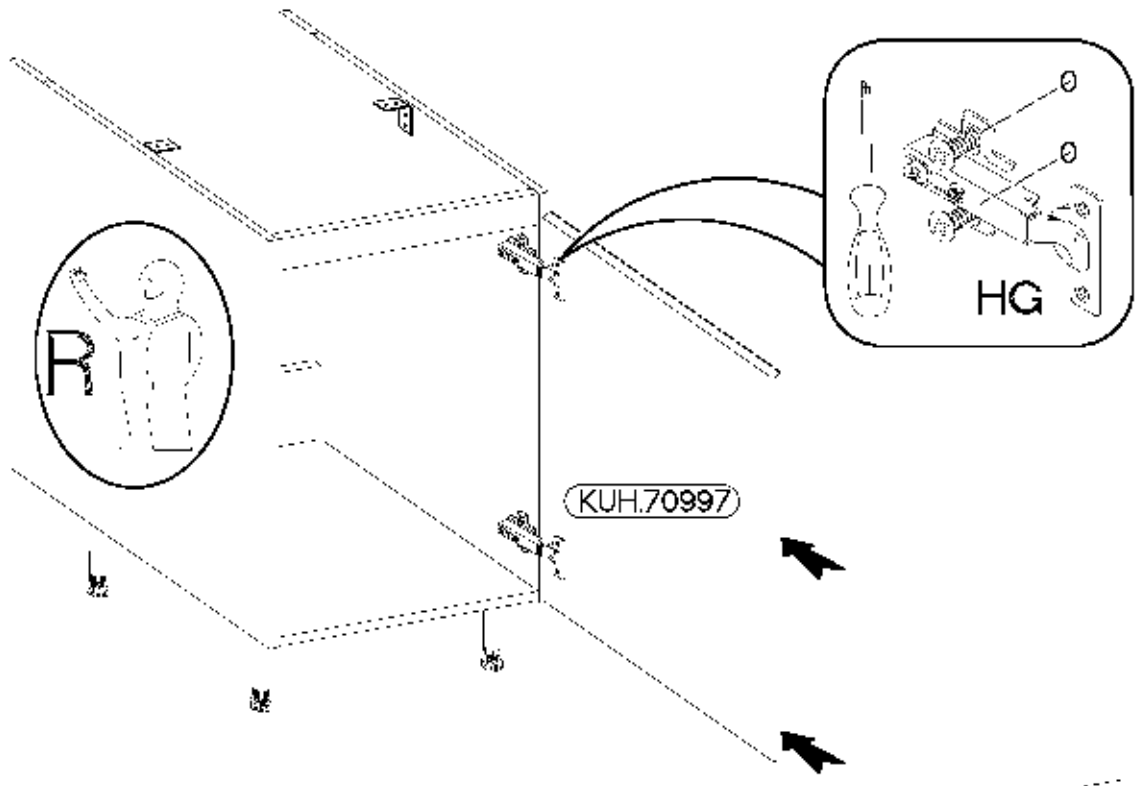


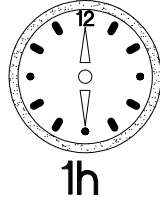
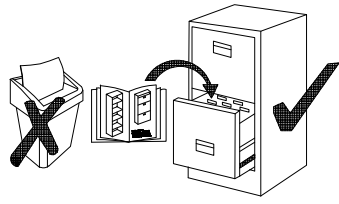
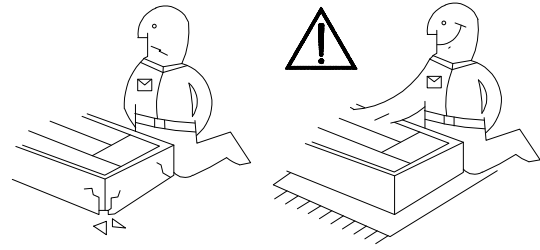
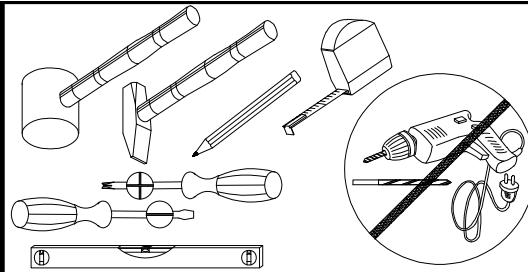
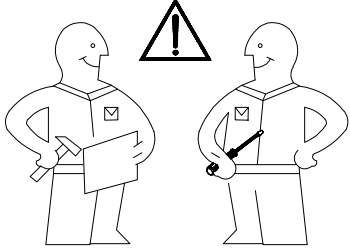
# RIGHT



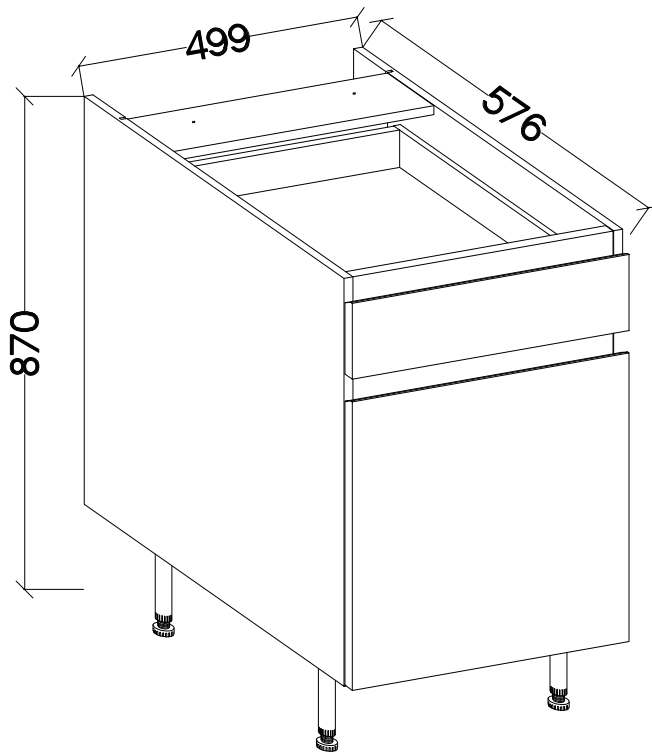
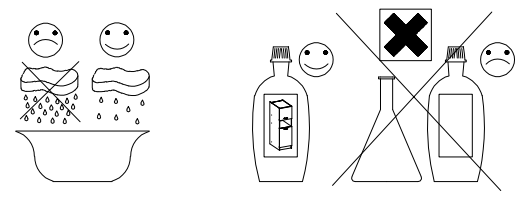
# LEFT





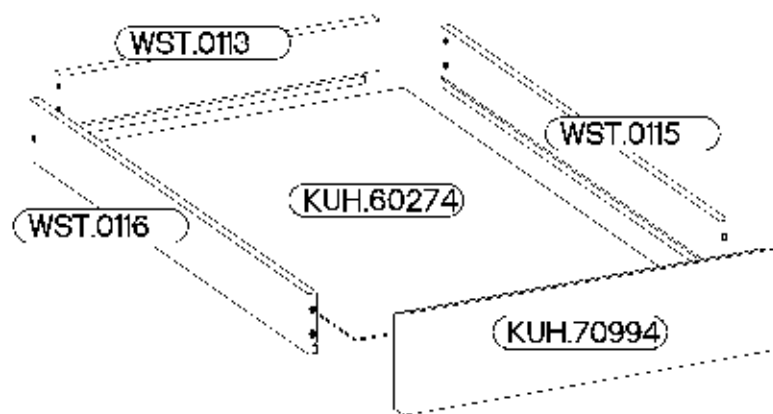
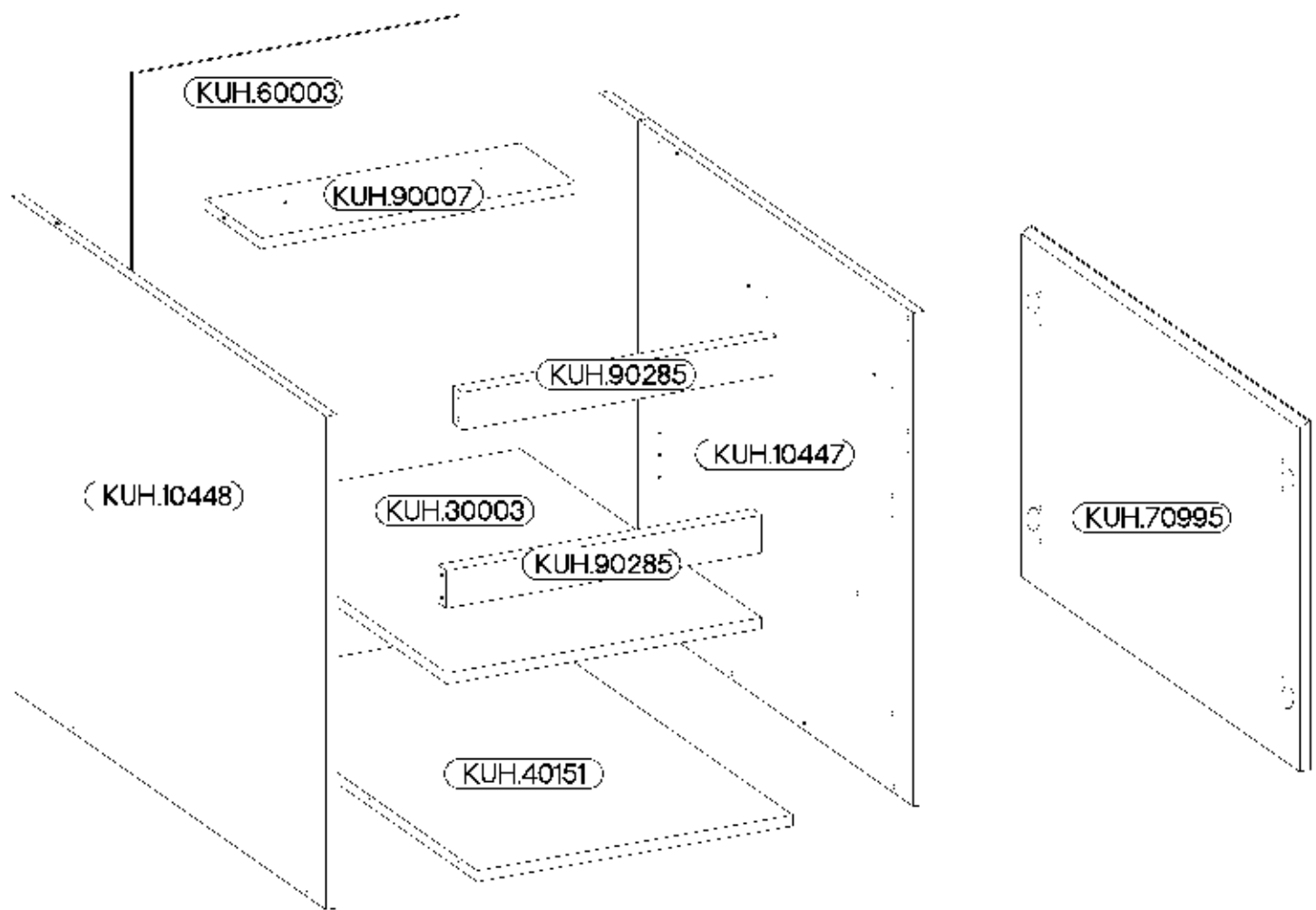


84-200-...  
ADANA  
Zeile 200  
Unterschrank



 A 14	 B 6	 B2 2	 C 4	 C5 2	 D2 6			
 E1 6	 E5 2	 F15 4	 F16 6	 HG 2	 L 1	 R 1	 I1 1	 J3 4
 L 2	 M2 8	 O 1	 P5 36	 P7 12-15	 R3 2	 T10 2		

ISM-KUH-01719



Colli	Spare Part	Dimension
Colli 1/6	KUH.10447	720x560x16
	KUH.10448	720x560x16
	KUH.30003	466x430x16
	KUH.40151	467x485x16
	KUH.60003	713x485x2,5
	KUH.60274	448x437x2,5
	KUH.70994	134x496x16
	KUH.70995	509x496x16
	KUH.90007	467x100x16
	KUH.90285 x2	467x55x16
	WST.0113	427x80x12
	WST.0115	450x80x12
WST.0116	450x80x12	



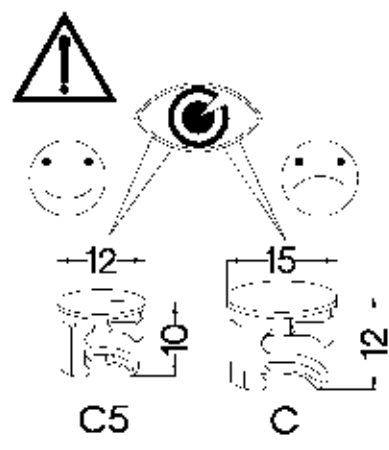
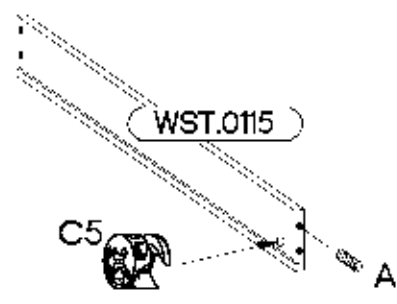
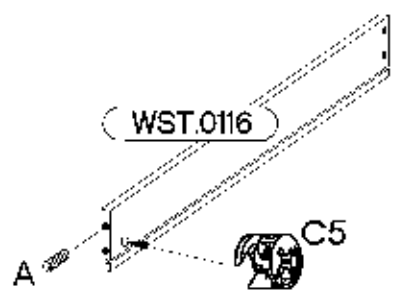
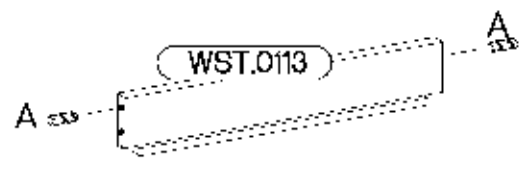
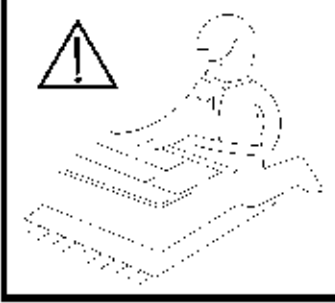
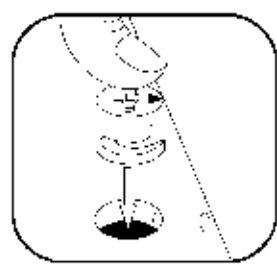
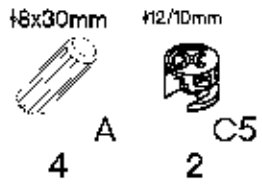
KUH.60274



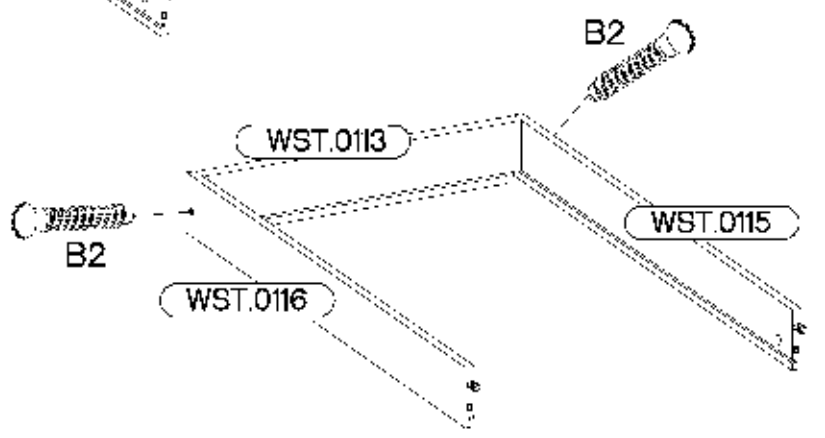
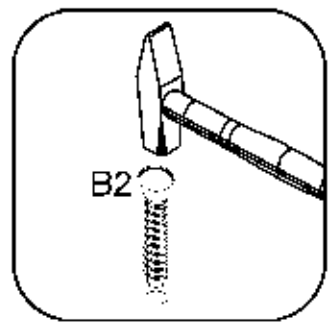
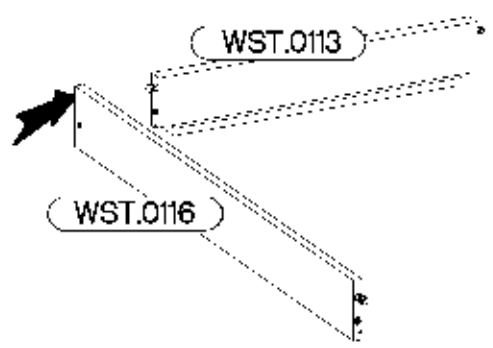
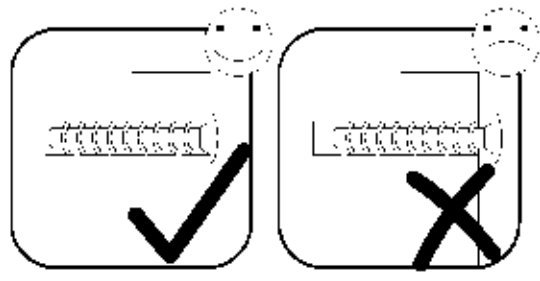
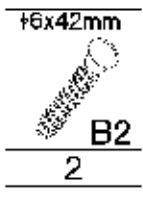
KUH.30003

KUH.40151

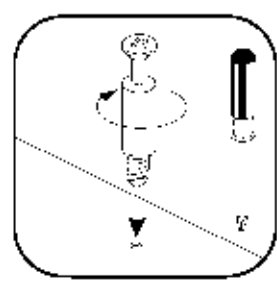
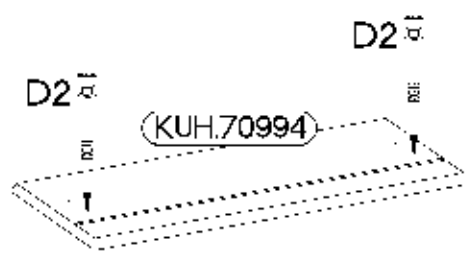
1



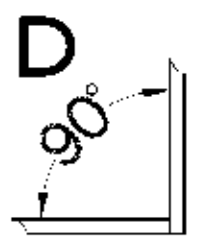
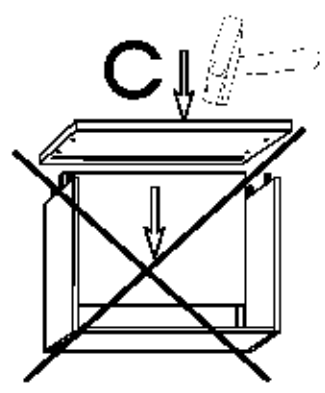
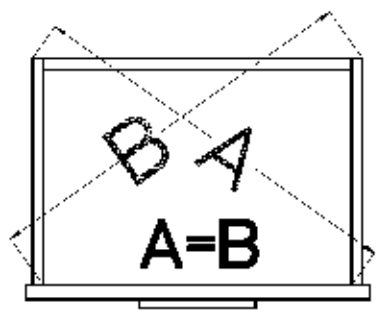
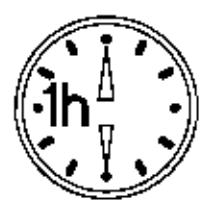
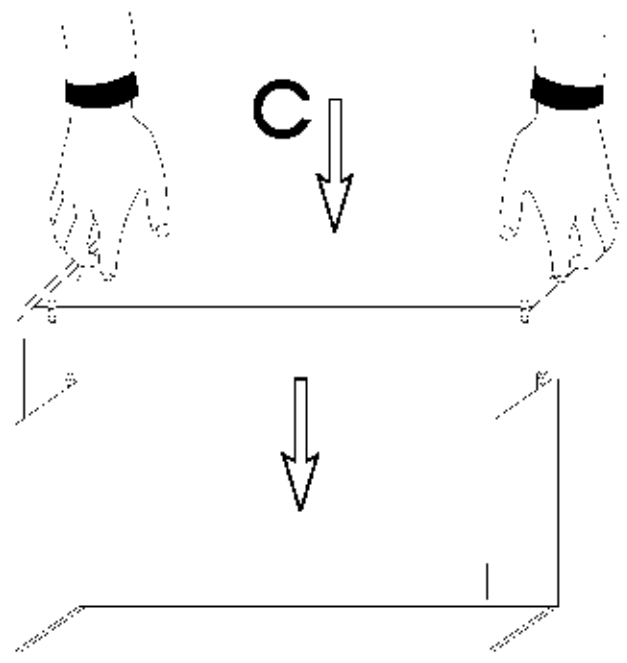
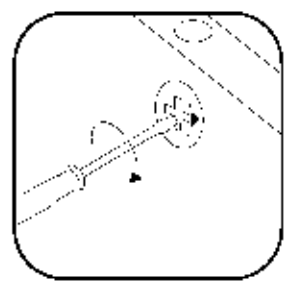
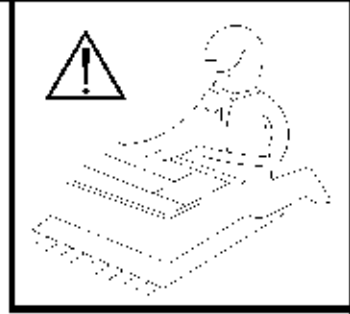
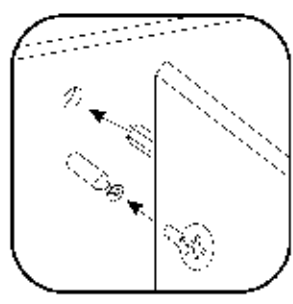
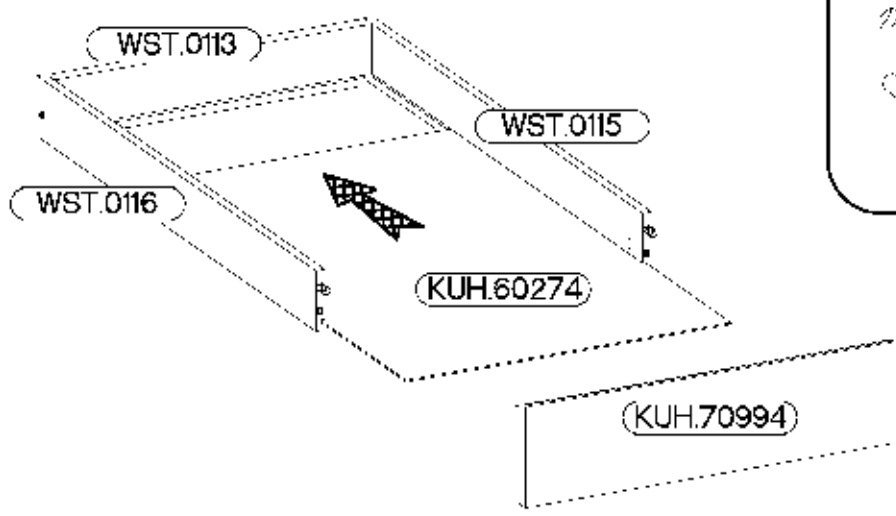
2



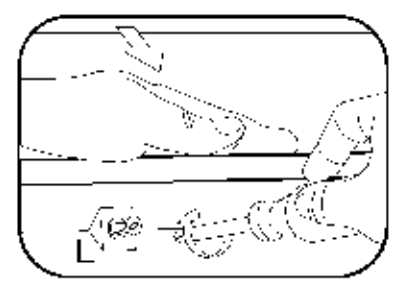
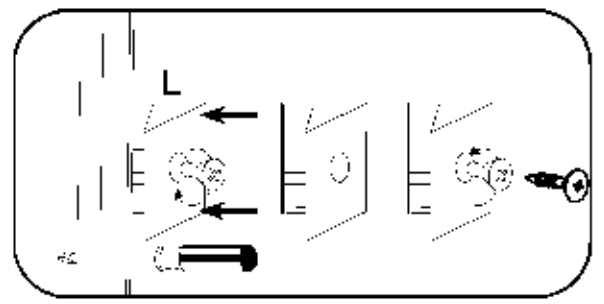
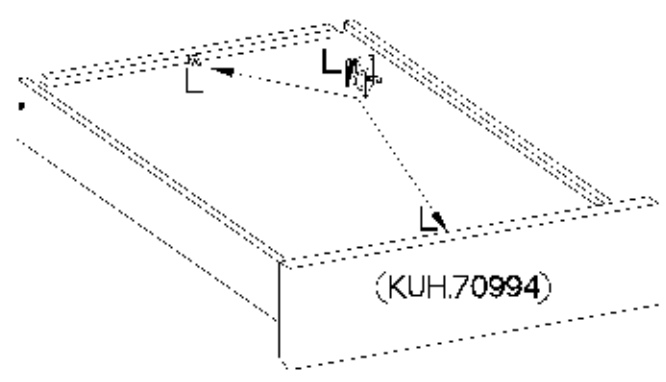
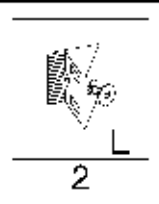
3



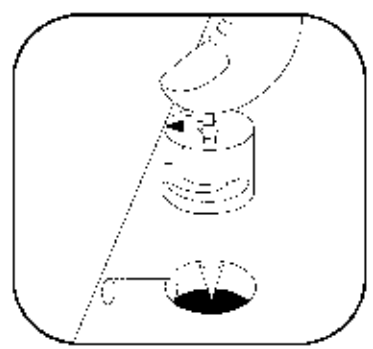
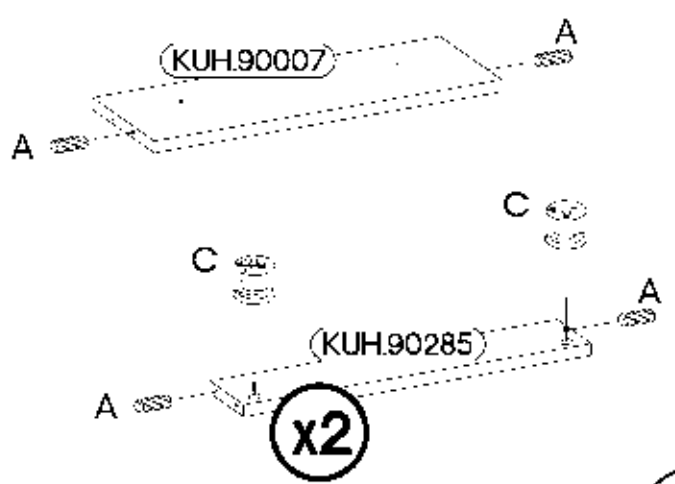
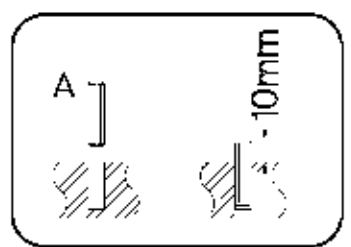
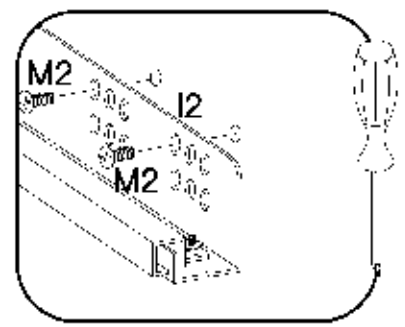
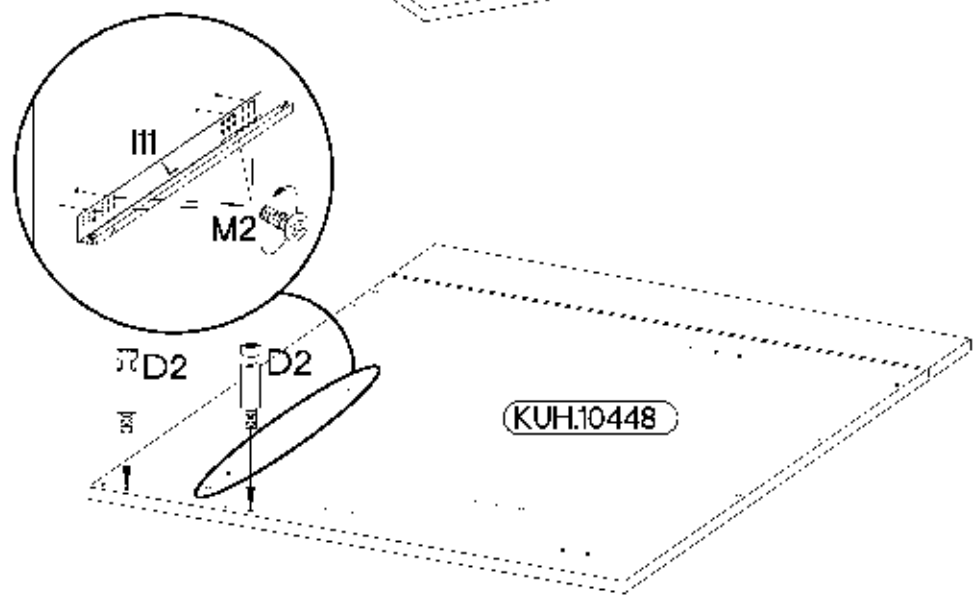
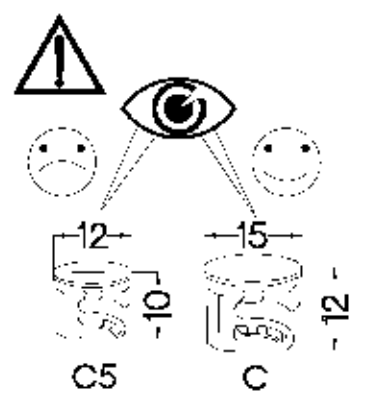
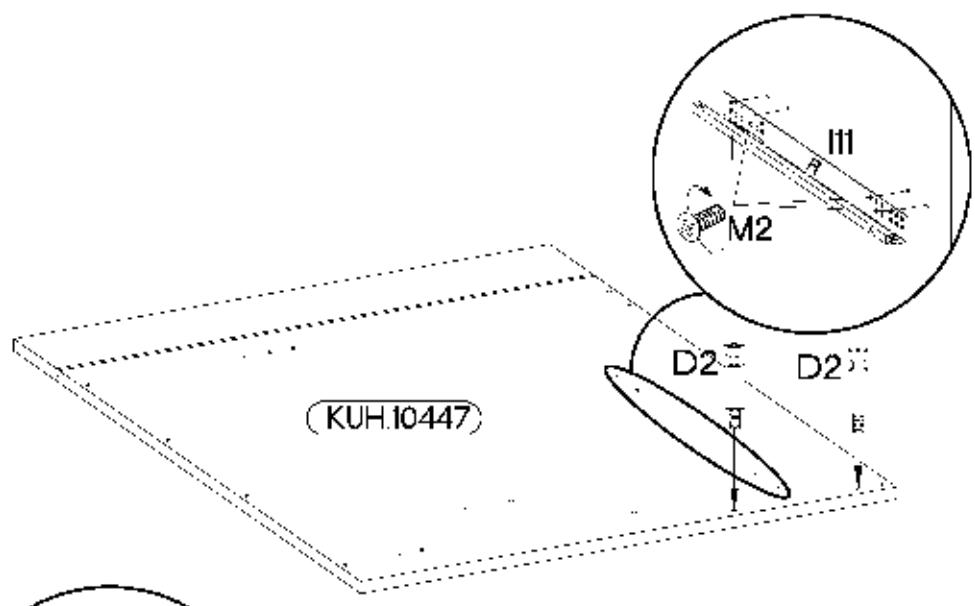
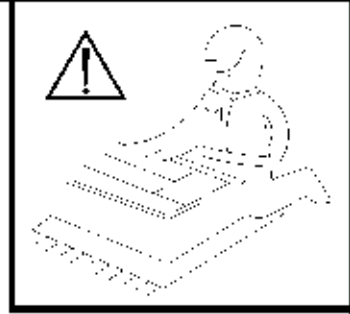
4



5



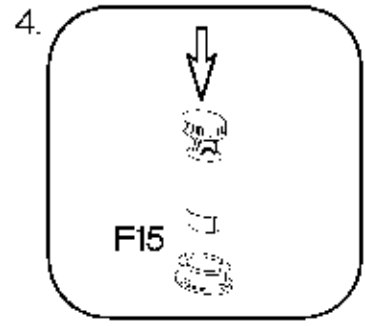
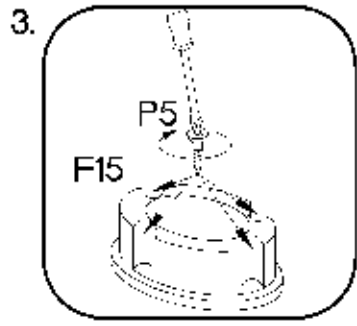
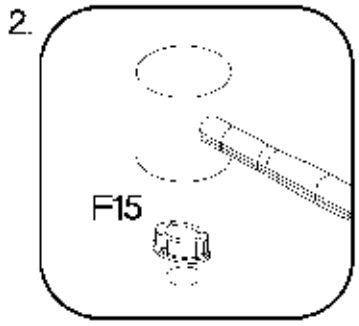
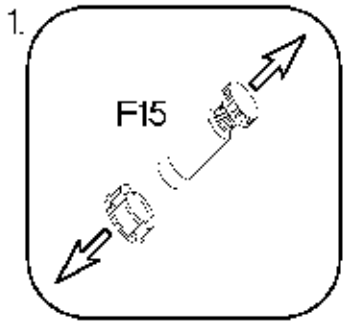
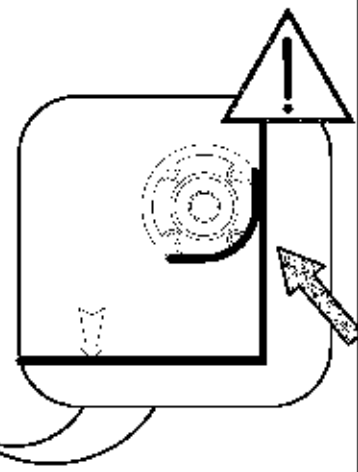
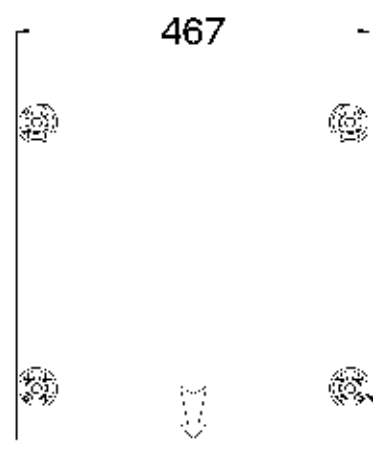
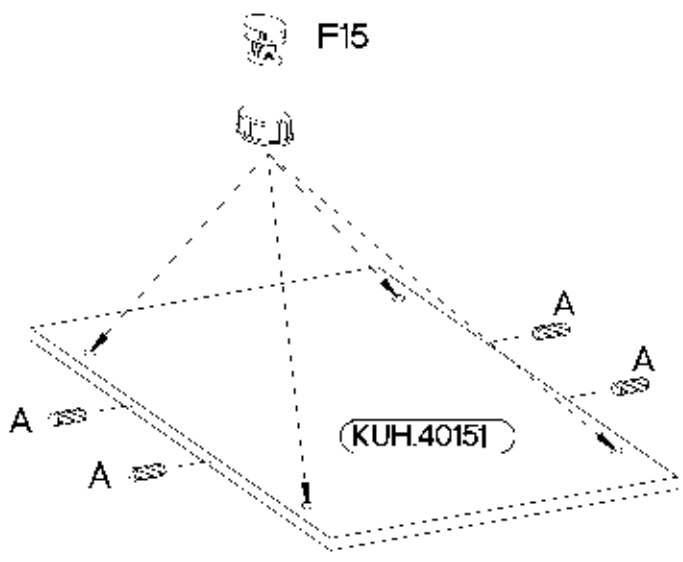
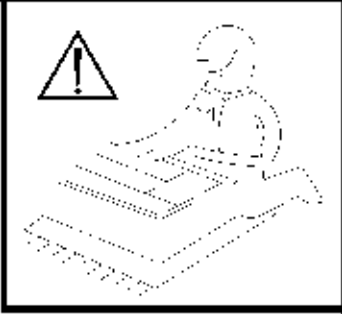
+8x30mm	+15/12mm	L=20mm	L=450mm	M2
A	C	D2	III	M2
6	4	4	1	8





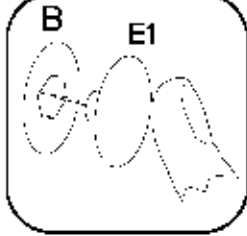
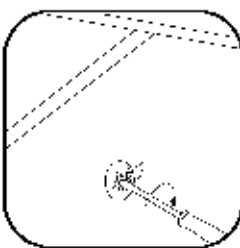
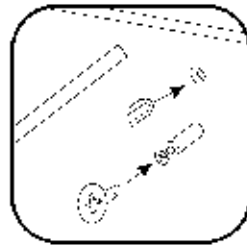
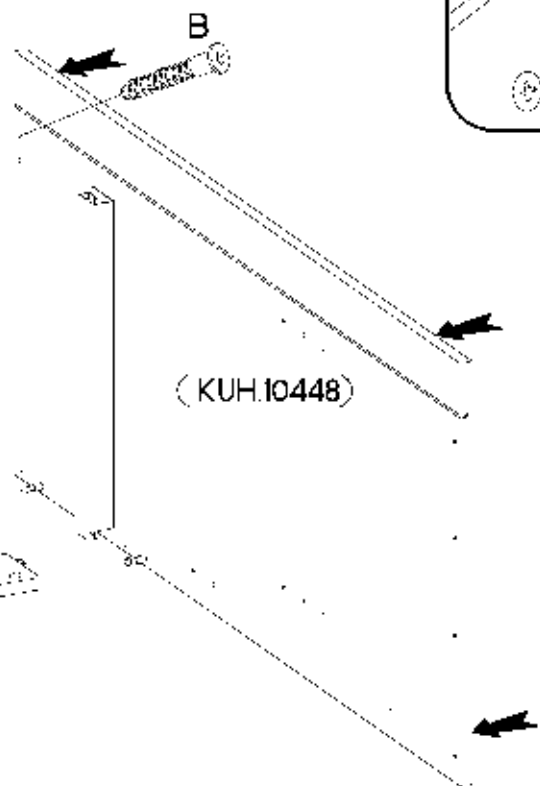
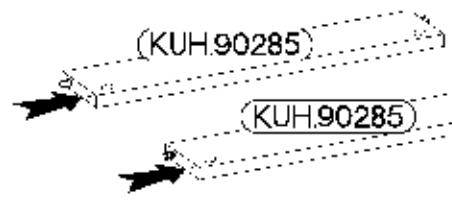
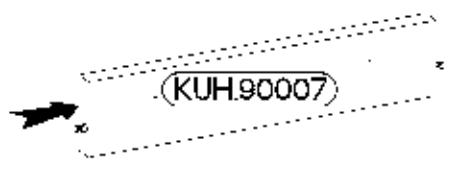
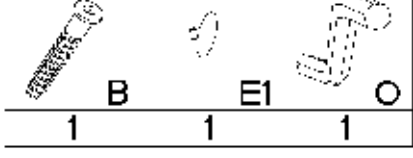
7

Ø8x30mm L=135 170cm Ø3.5x13mm



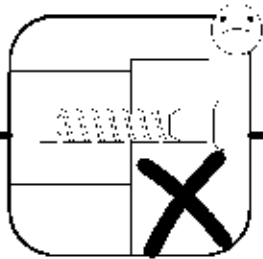
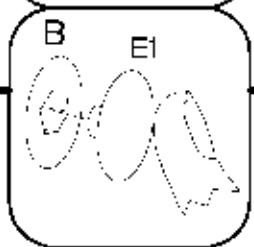
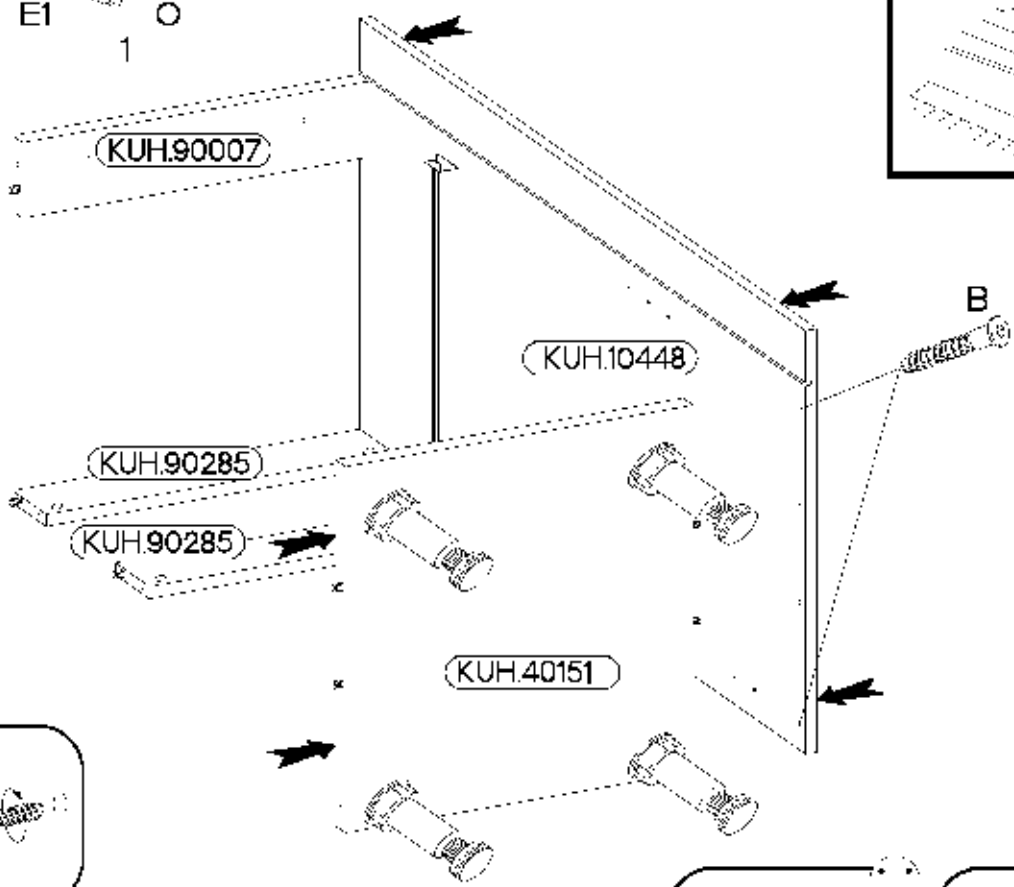
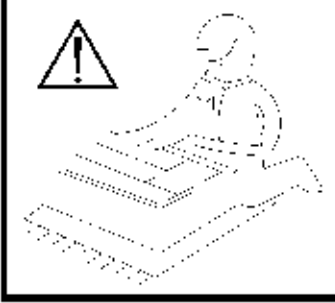
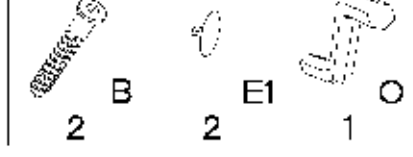
8

6,4 x 50mm



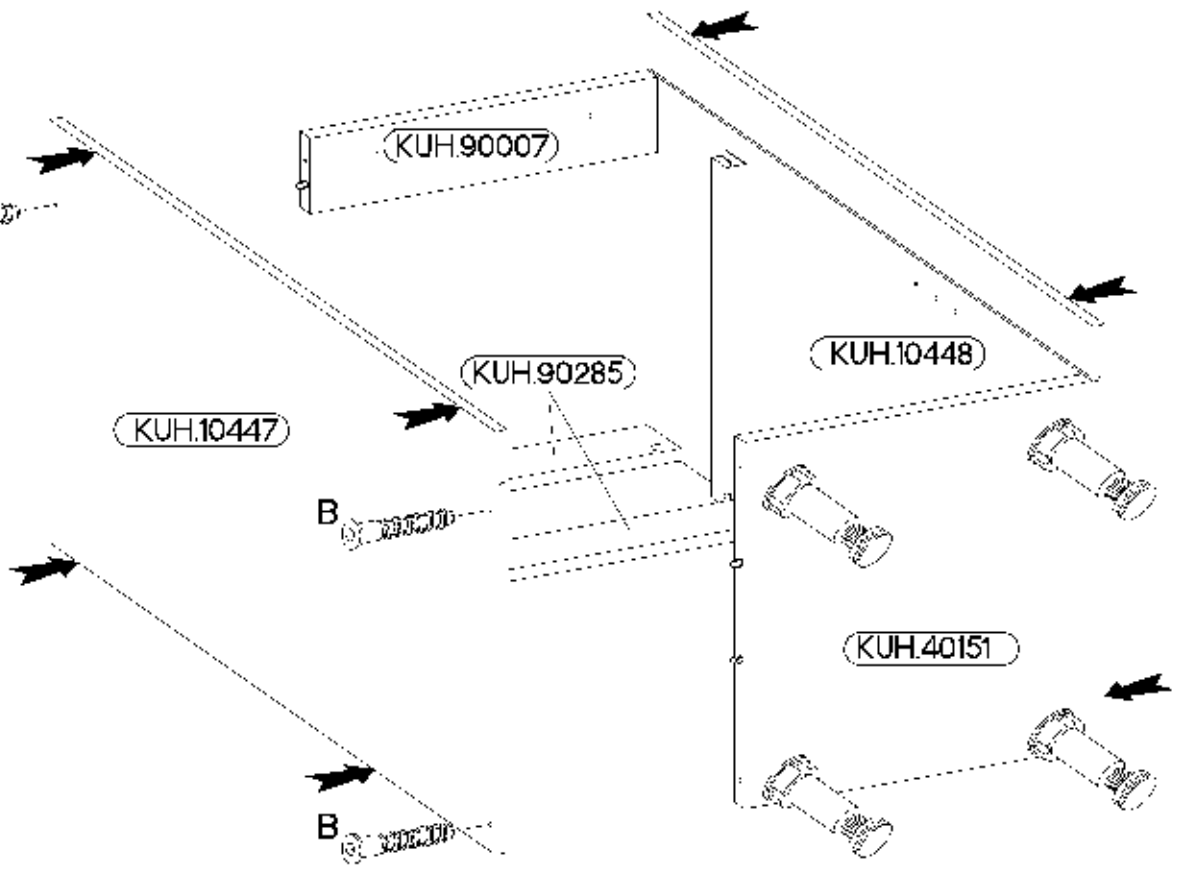
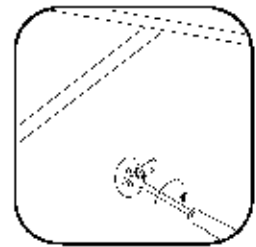
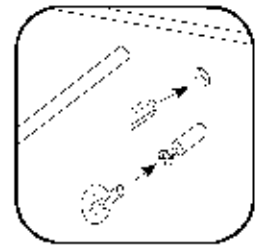
9

6,4 x 50mm



10

6,4 x 50mm



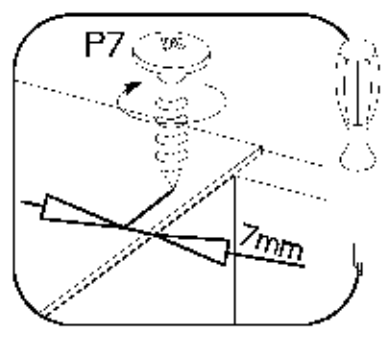
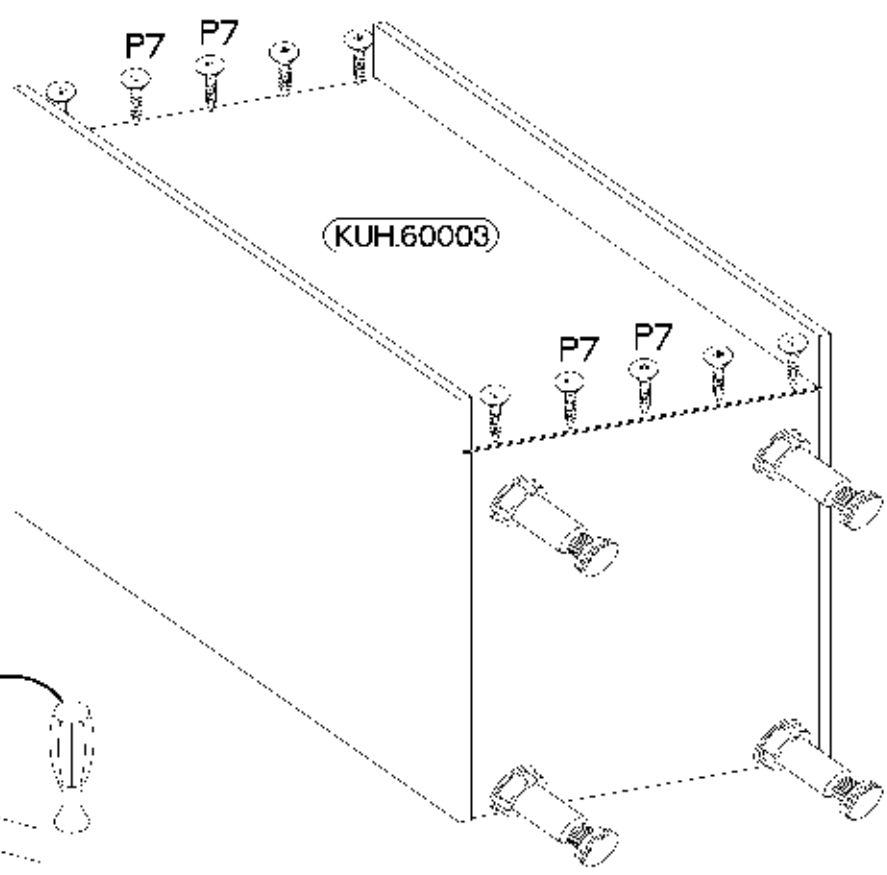
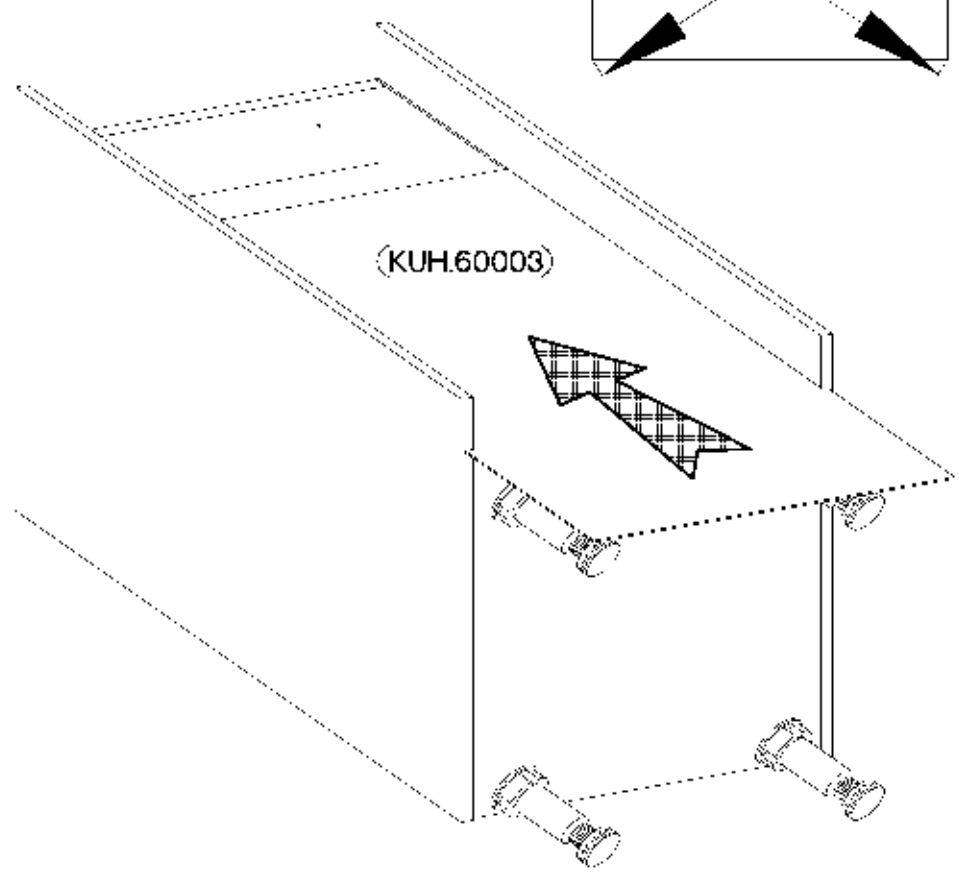
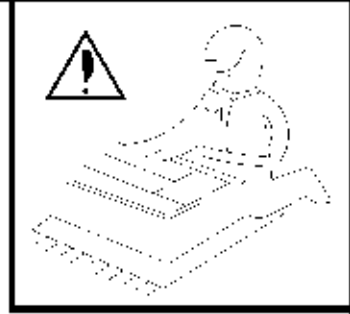
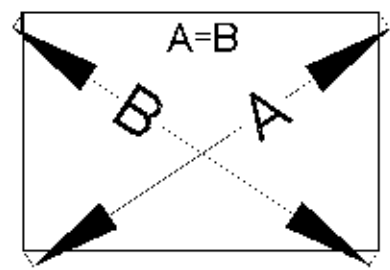


3.0x20mm



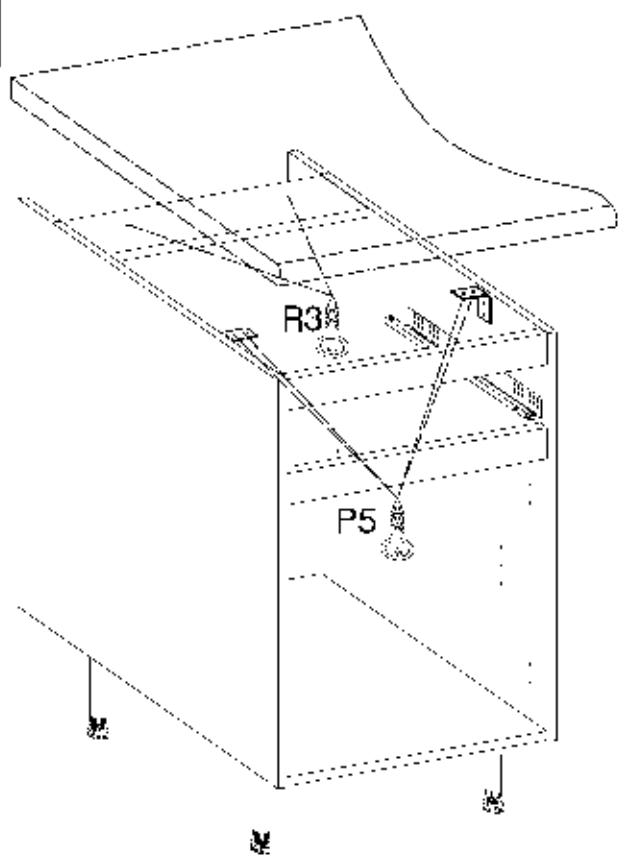
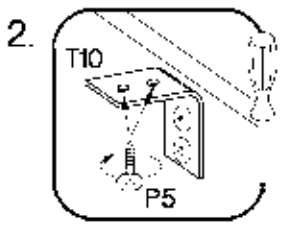
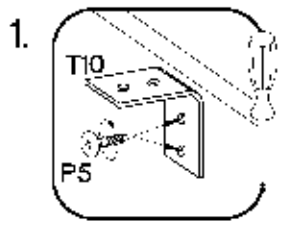
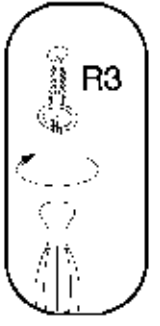
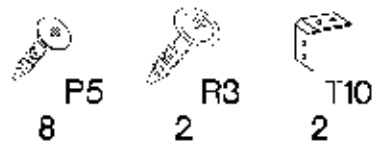
P7

8-10

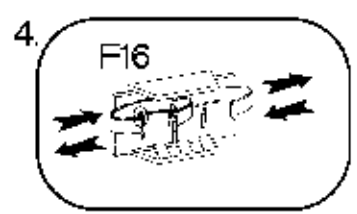
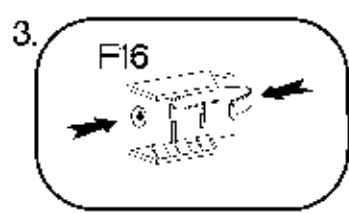
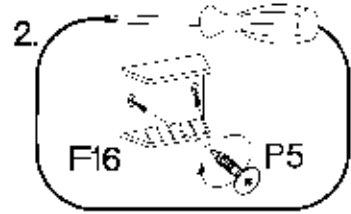
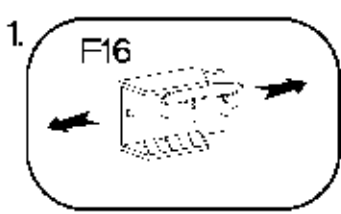
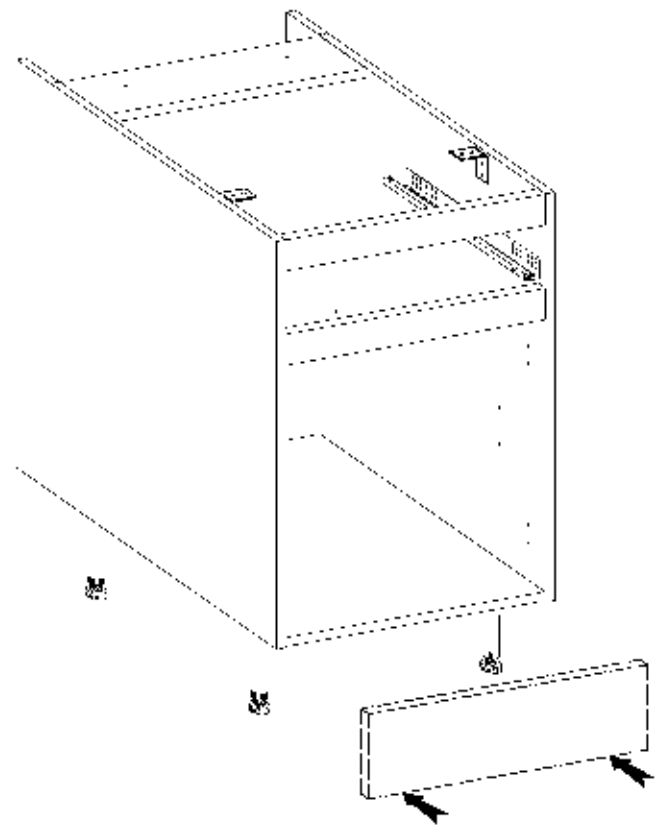
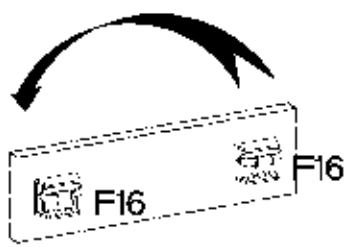
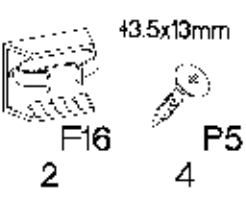


12

43.5x13mm 44.0x35mm

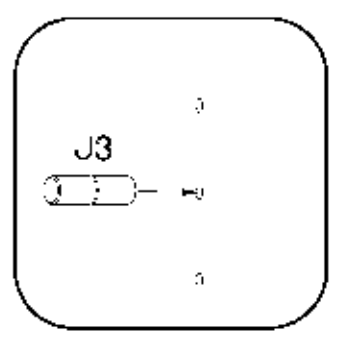
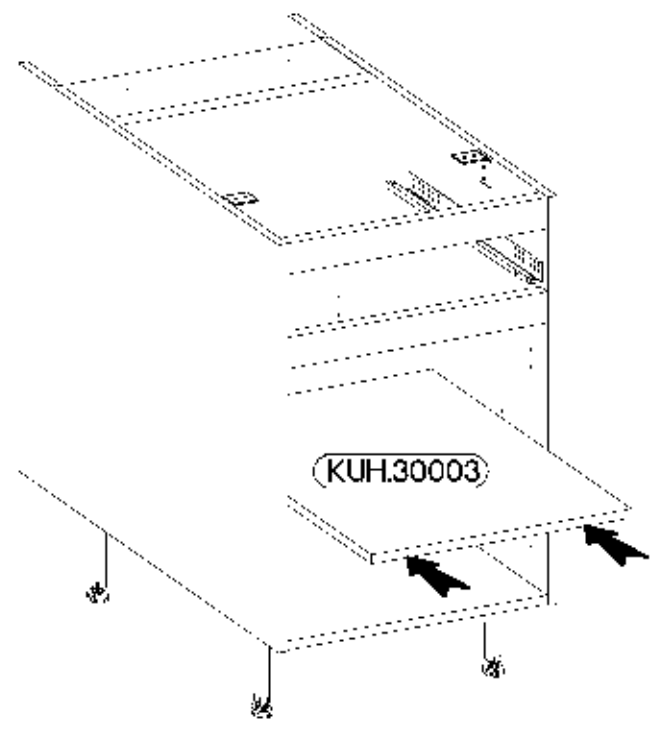


13



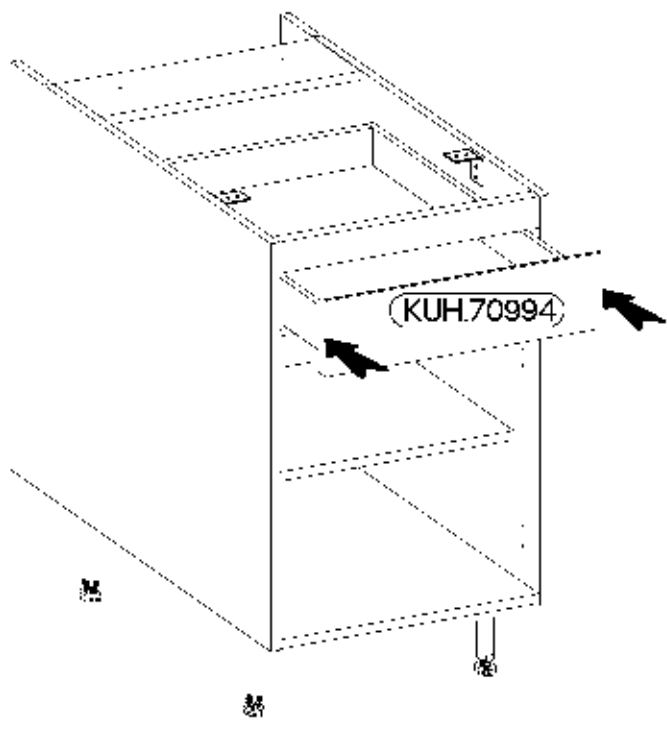
14

t5/16mm  
4 J3

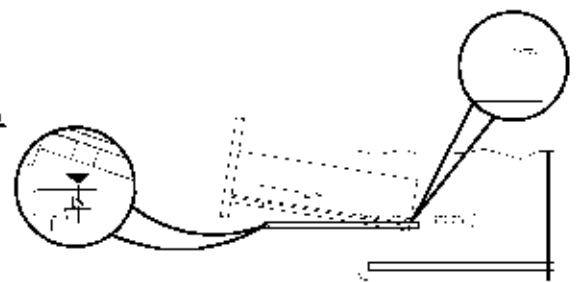


15

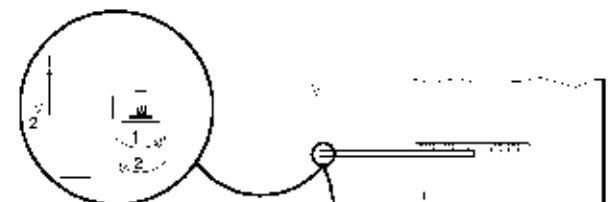
t3.0x20mm  
2 P7



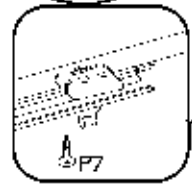
1.



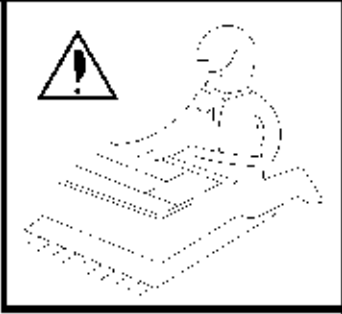
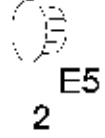
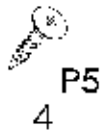
2.



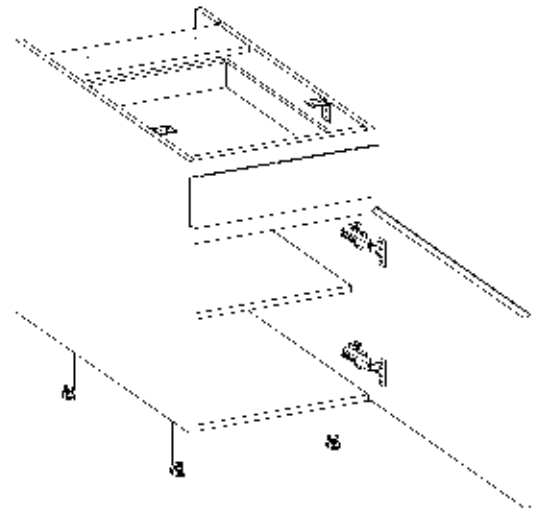
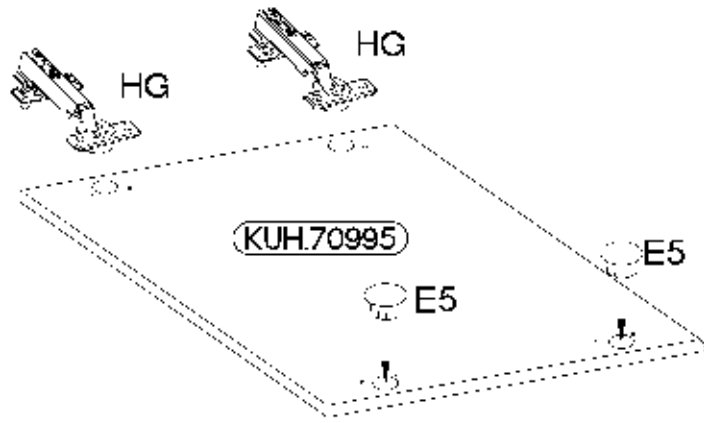
3.



±35/0mm ±3.5x13mm ±35mm



RIGHT



LEFT

