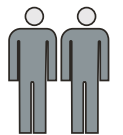
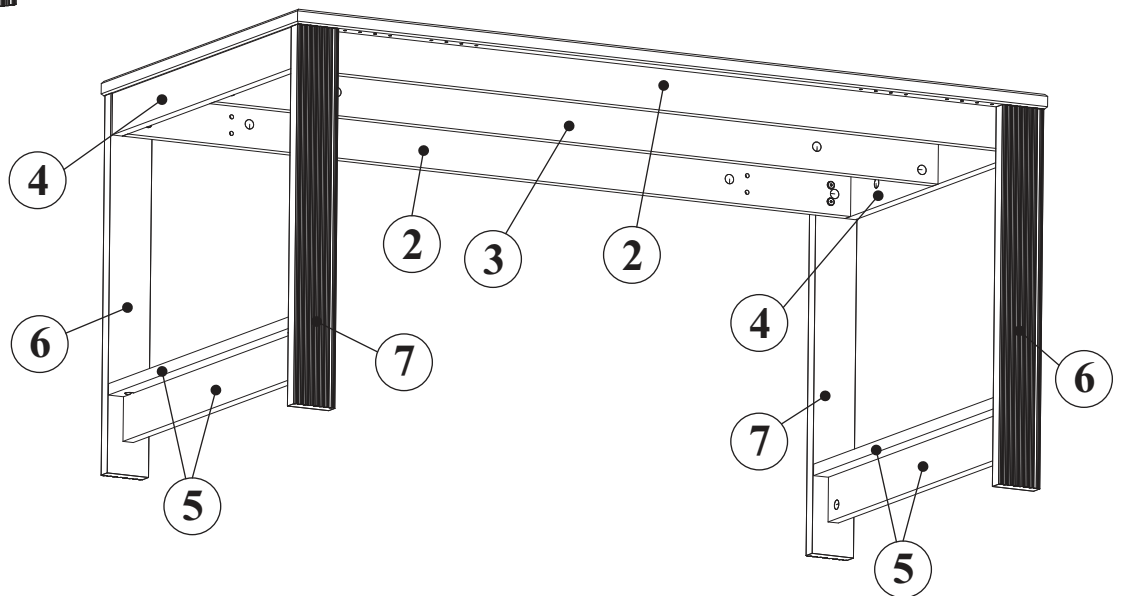
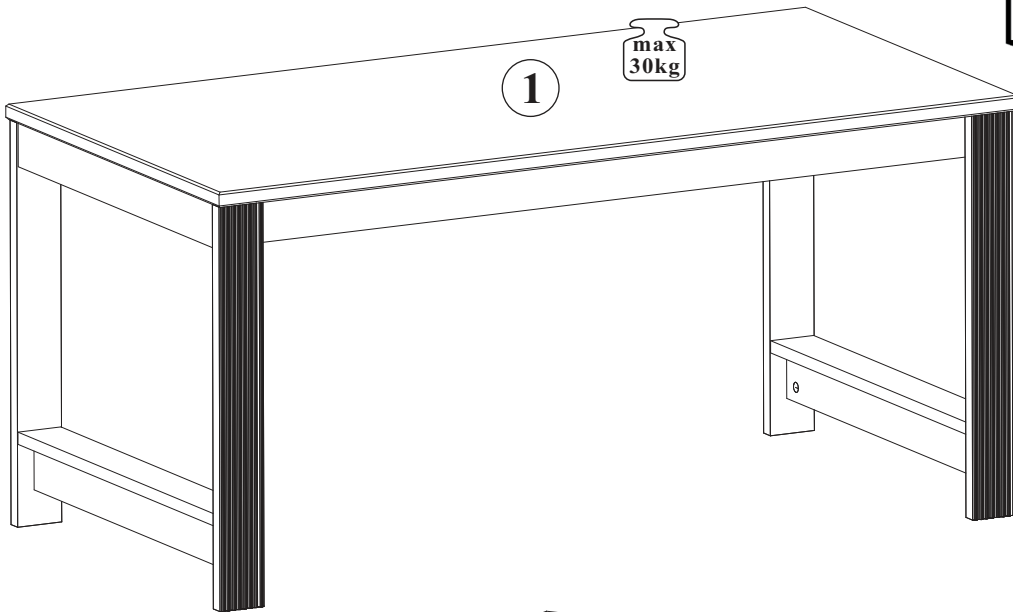
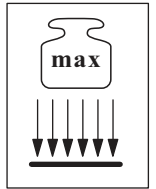
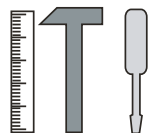


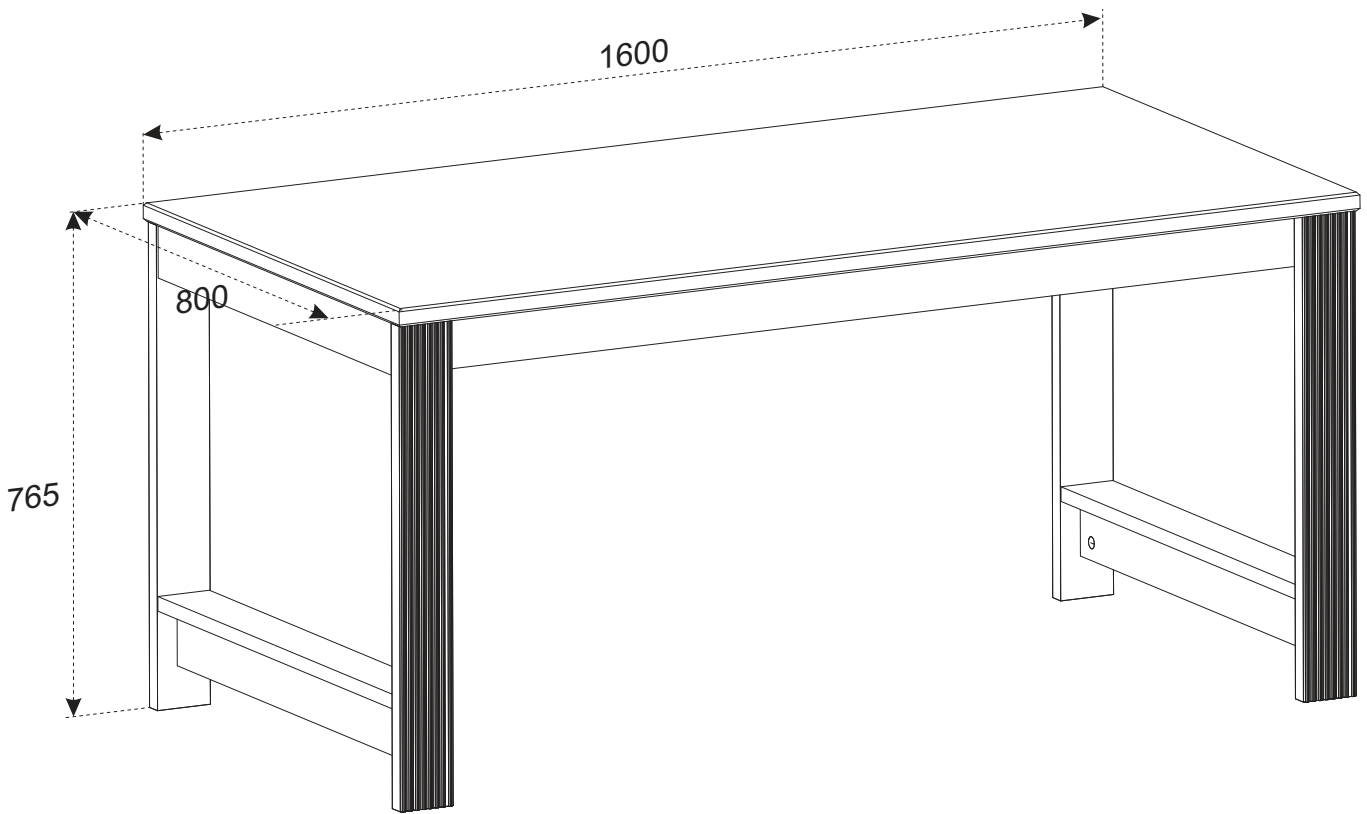
# JASMIN 5K 21--21

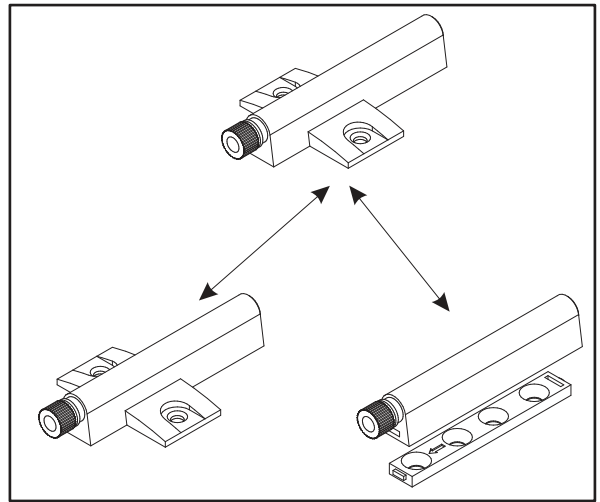
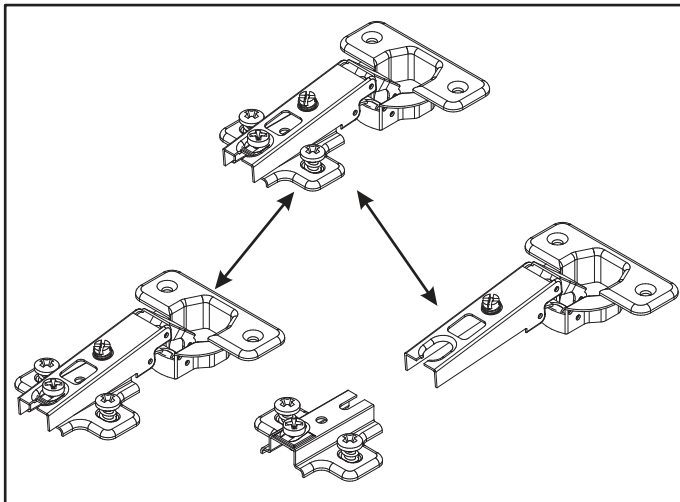
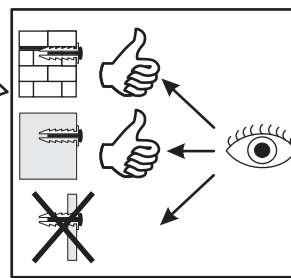
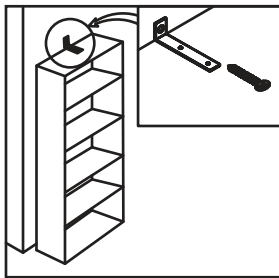
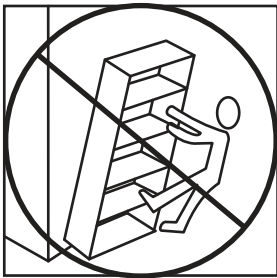
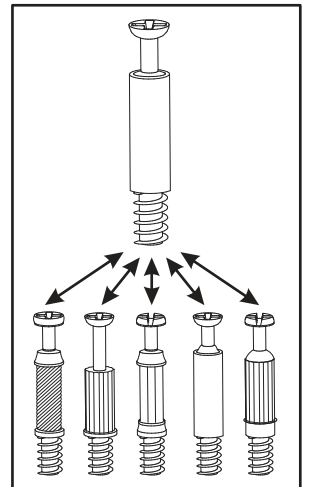
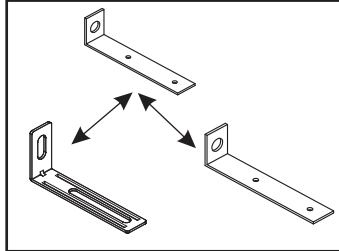
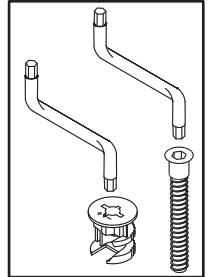
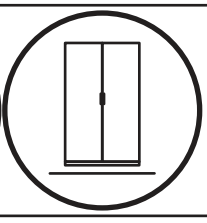
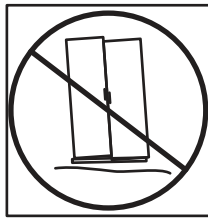
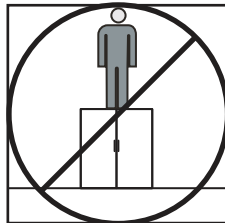
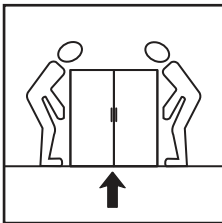
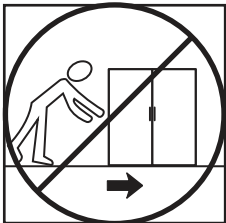
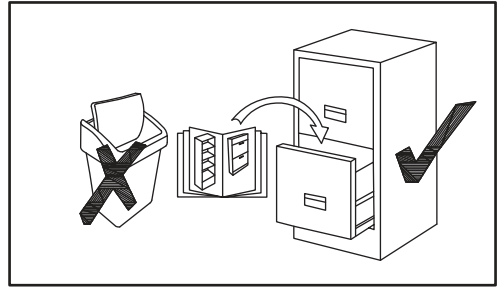
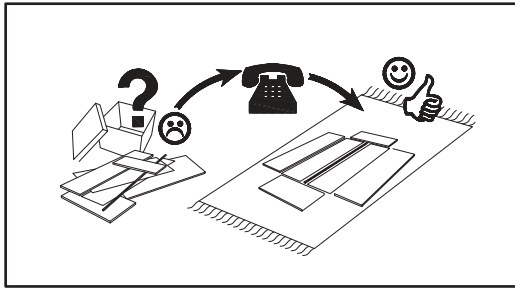
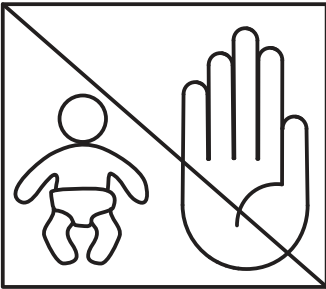
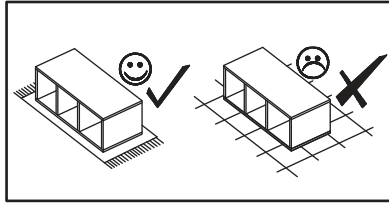
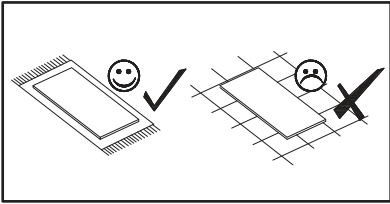


180 min

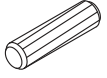
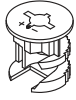
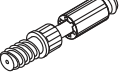




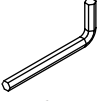

| NO | Dim. |     |    | Col.-No | Qty |
|----|------|-----|----|---------|-----|
| 1  | 1600 | 800 | 28 | 2       | 1   |
| 4  | 732  | 80  | 22 | 1       | 2   |
| 2  | 1542 | 80  | 22 | 1       | 2   |
| 3  | 1542 | 80  | 22 | 1       | 1   |
| 5  | 732  | 86  | 22 | 1       | 4   |
| 6  | 732  | 88  | 28 | 1       | 2   |
| 7  | 732  | 88  | 28 | 1       | 2   |

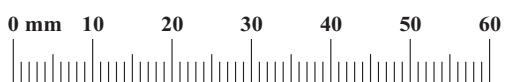




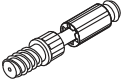


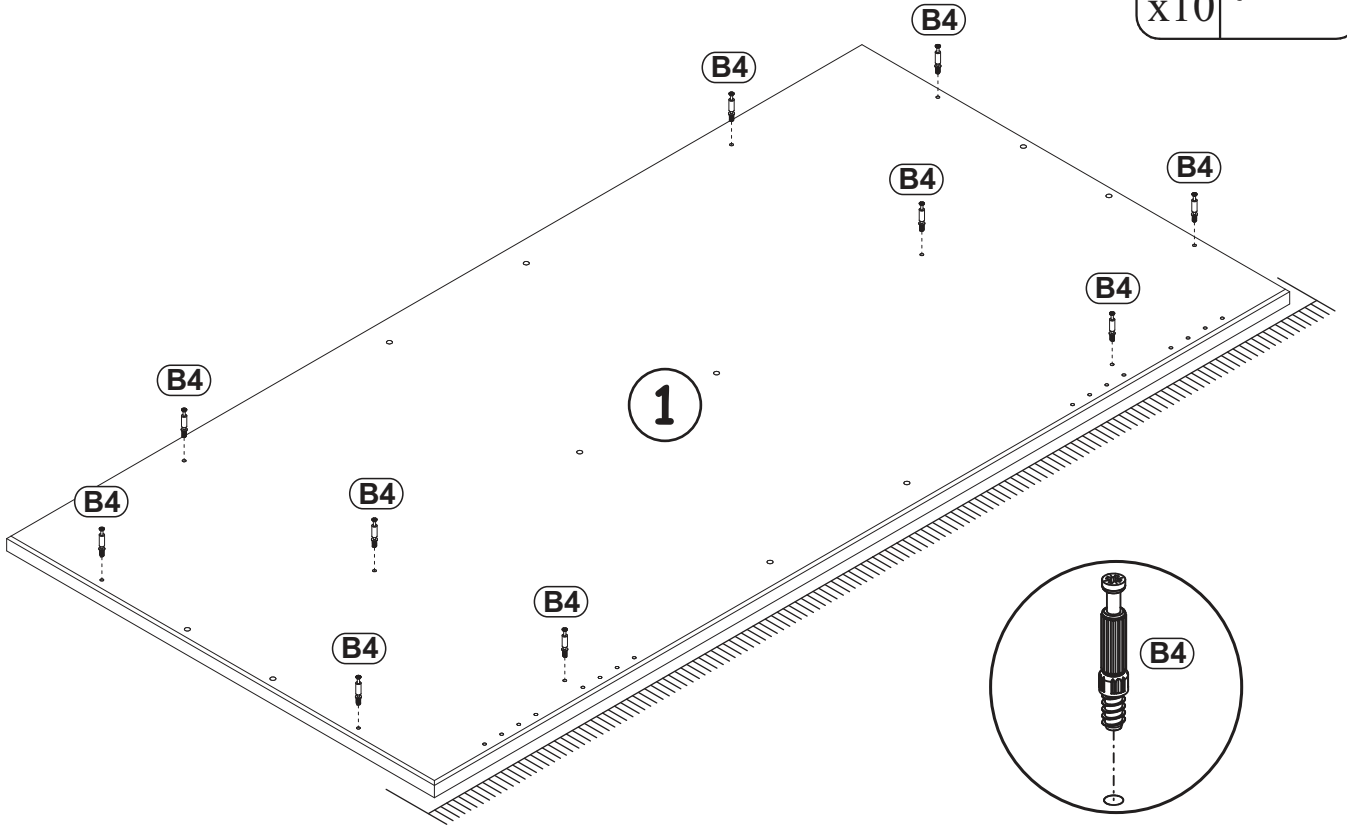
JASMIN 5K 21 -- 21

|                    |   |                      |   |           |   |           |   |                    |   |                    |   |
|--------------------|---|----------------------|---|-----------|---|-----------|---|--------------------|---|--------------------|---|
| A1<br>x28<br>ø8x36 |  | B16<br>x24<br>Ø15x16 |  | B4<br>x24 |  | G5<br>x20 |  | B42<br>x8<br>M6x13 |  | WG3<br>x8<br>M6x30 |  |
| I2<br>x4           |  | G21<br>x1<br>∅ 6mm   |  | G2<br>x1  |  |           |   |                    |   |                    |   |

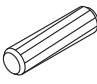


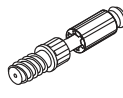
1


|     |   |
|-----|---|
| B4  |  |
| x10 |   |

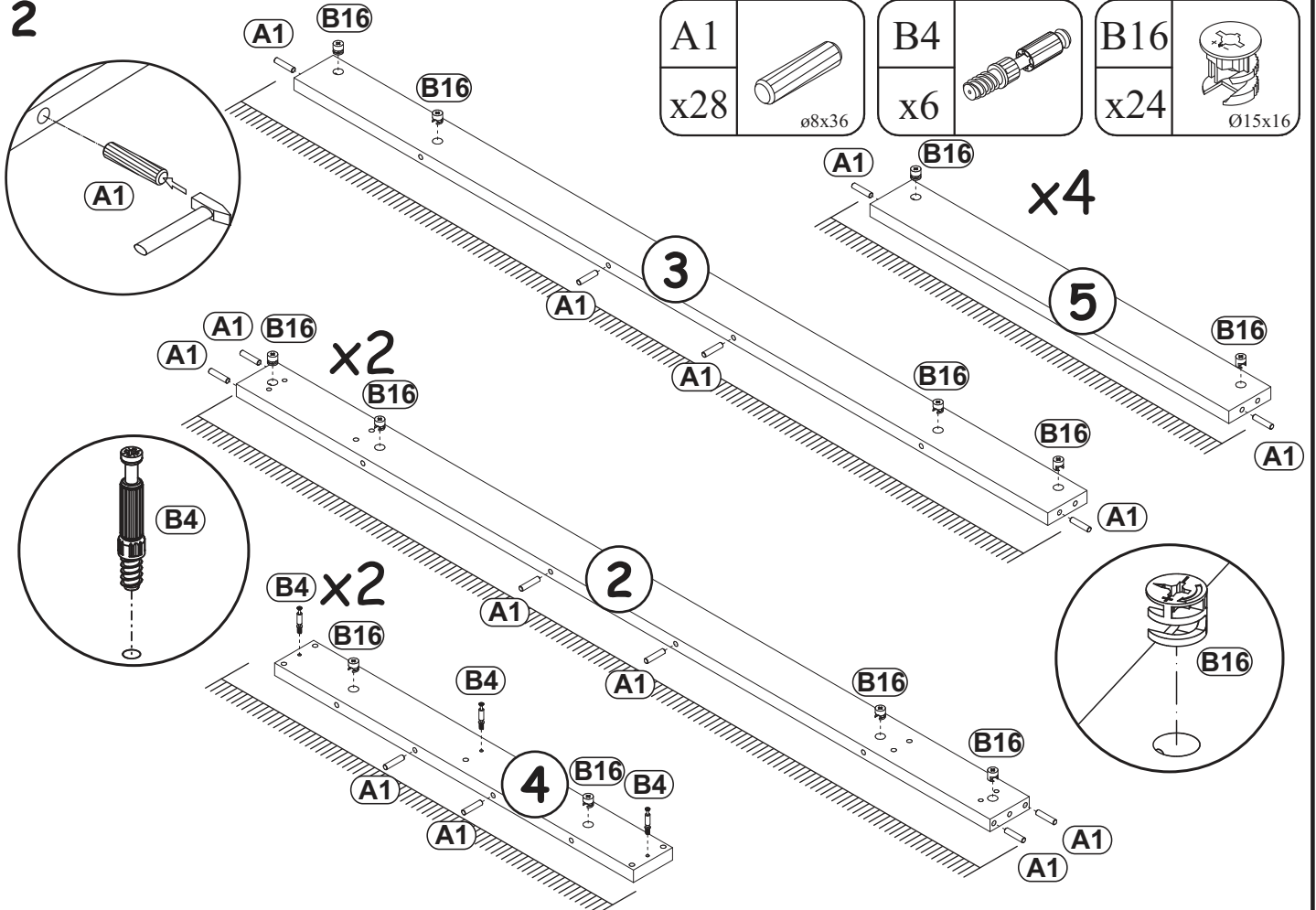


2

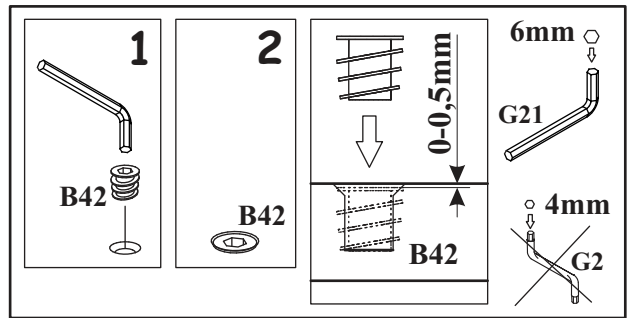
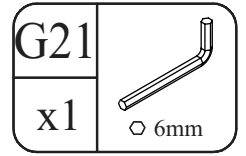
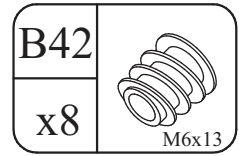
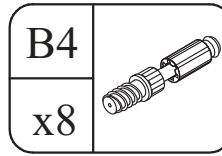
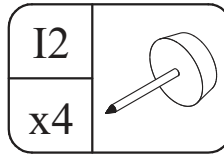
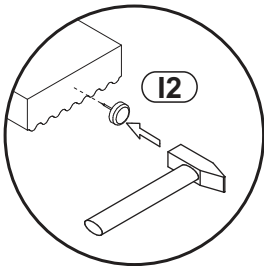
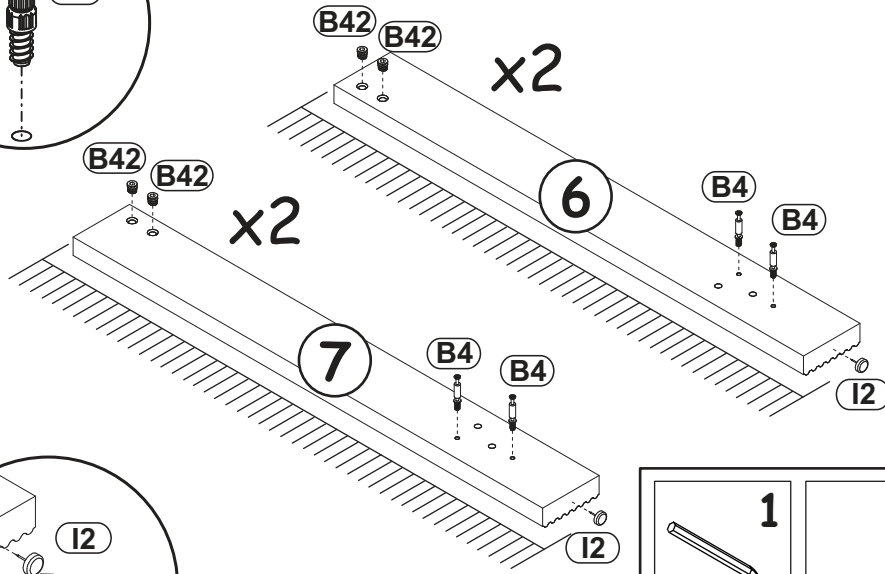
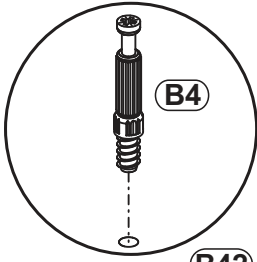
|     |  |
|-----|--|
| A1  |  |
| x28 | ø8x36  |

|    |   |
|----|---|
| B4 |  |
| x6 |   |

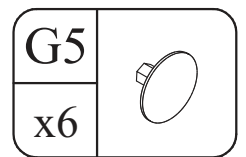
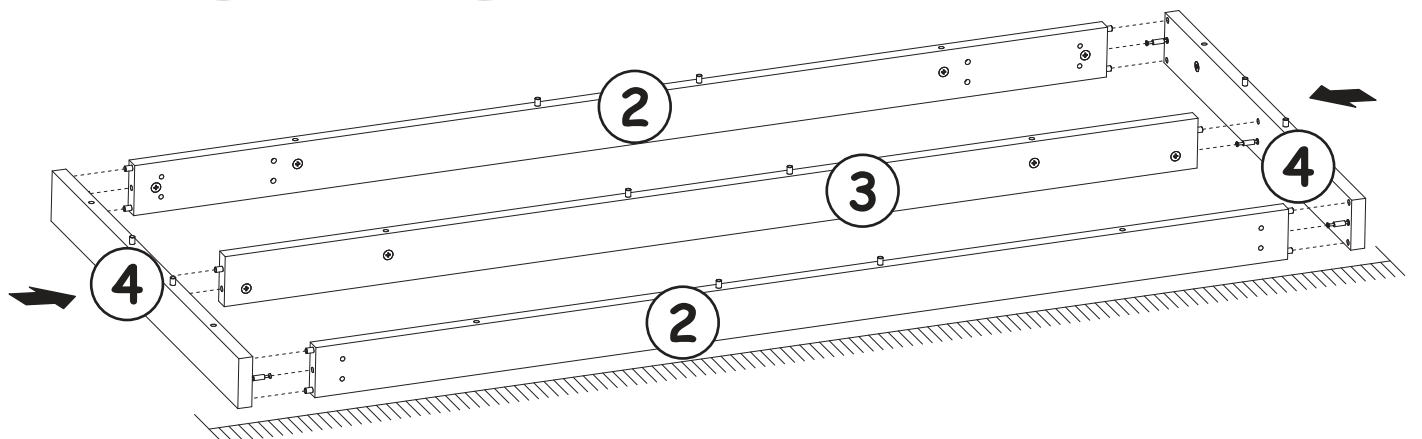
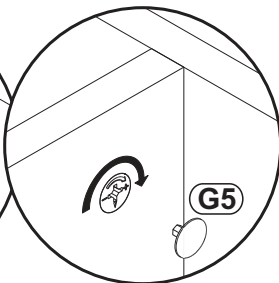
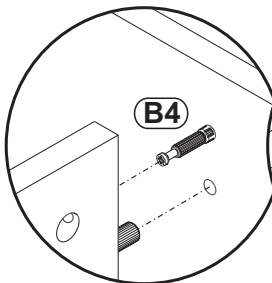
|     |   |
|-----|---|
| B16 |  |
| x24 | Ø15x16  |



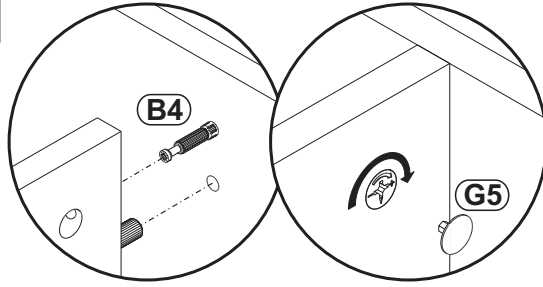
3



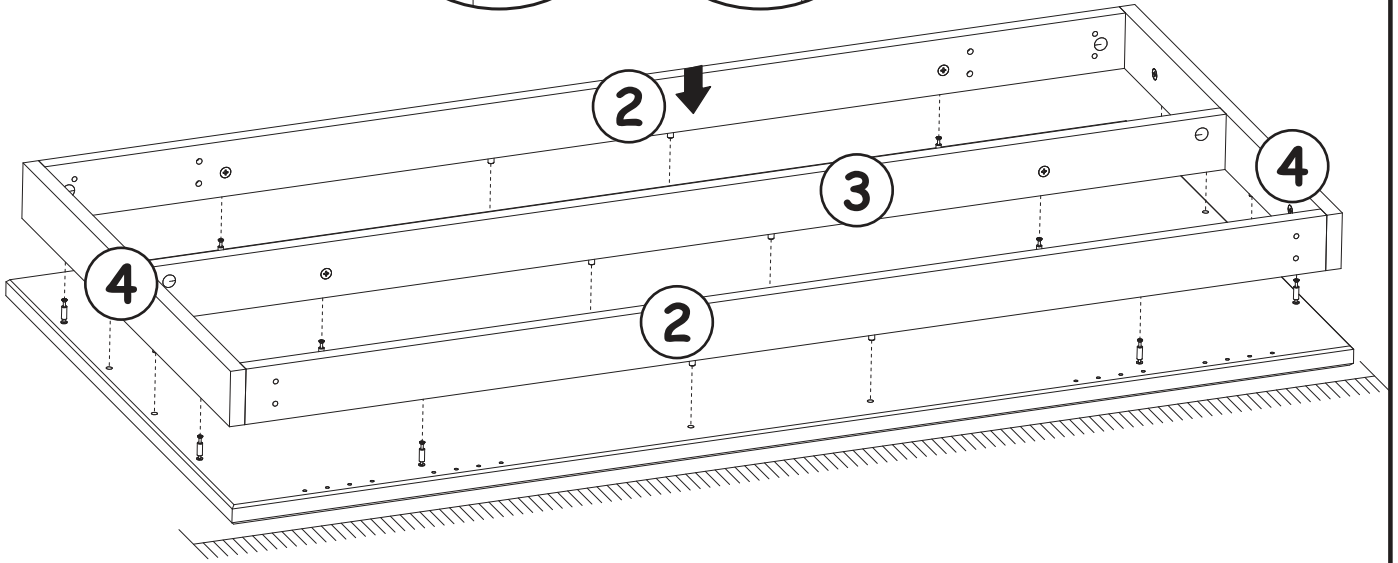
4



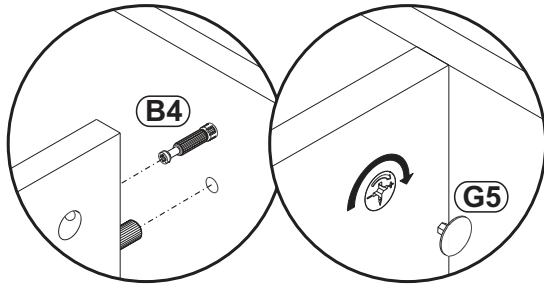
5



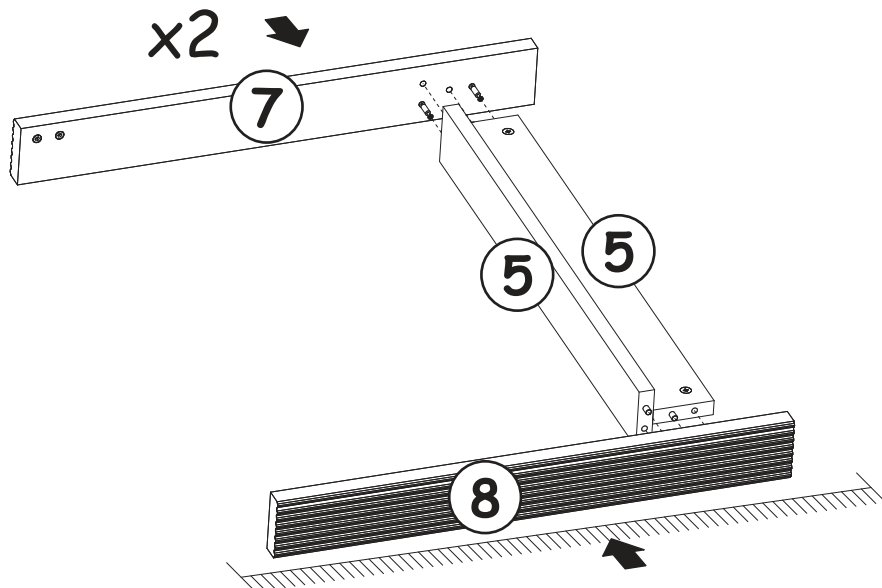
|     |  |
|-----|--|
| G5  |  |
| x10 |  |



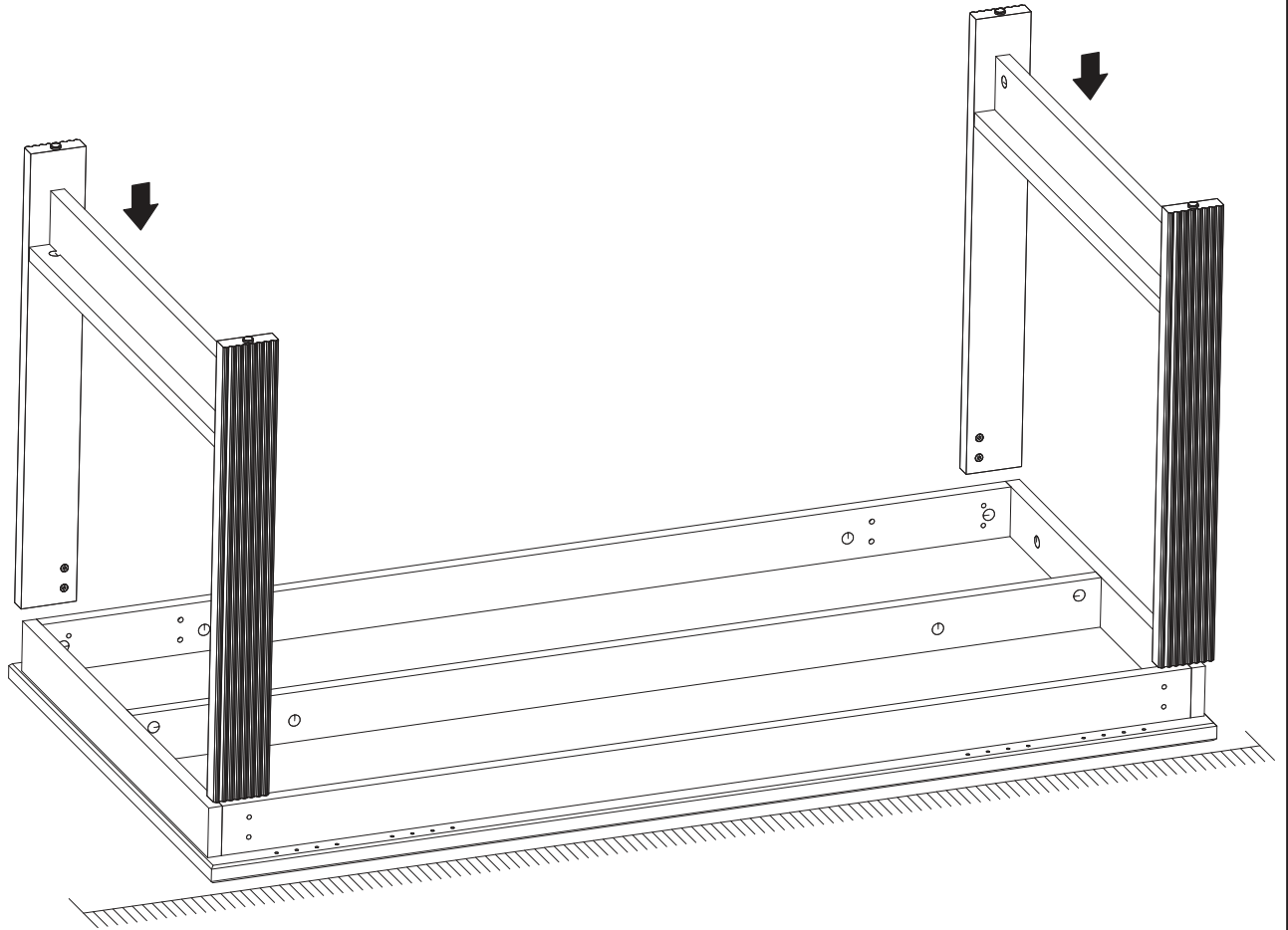
6



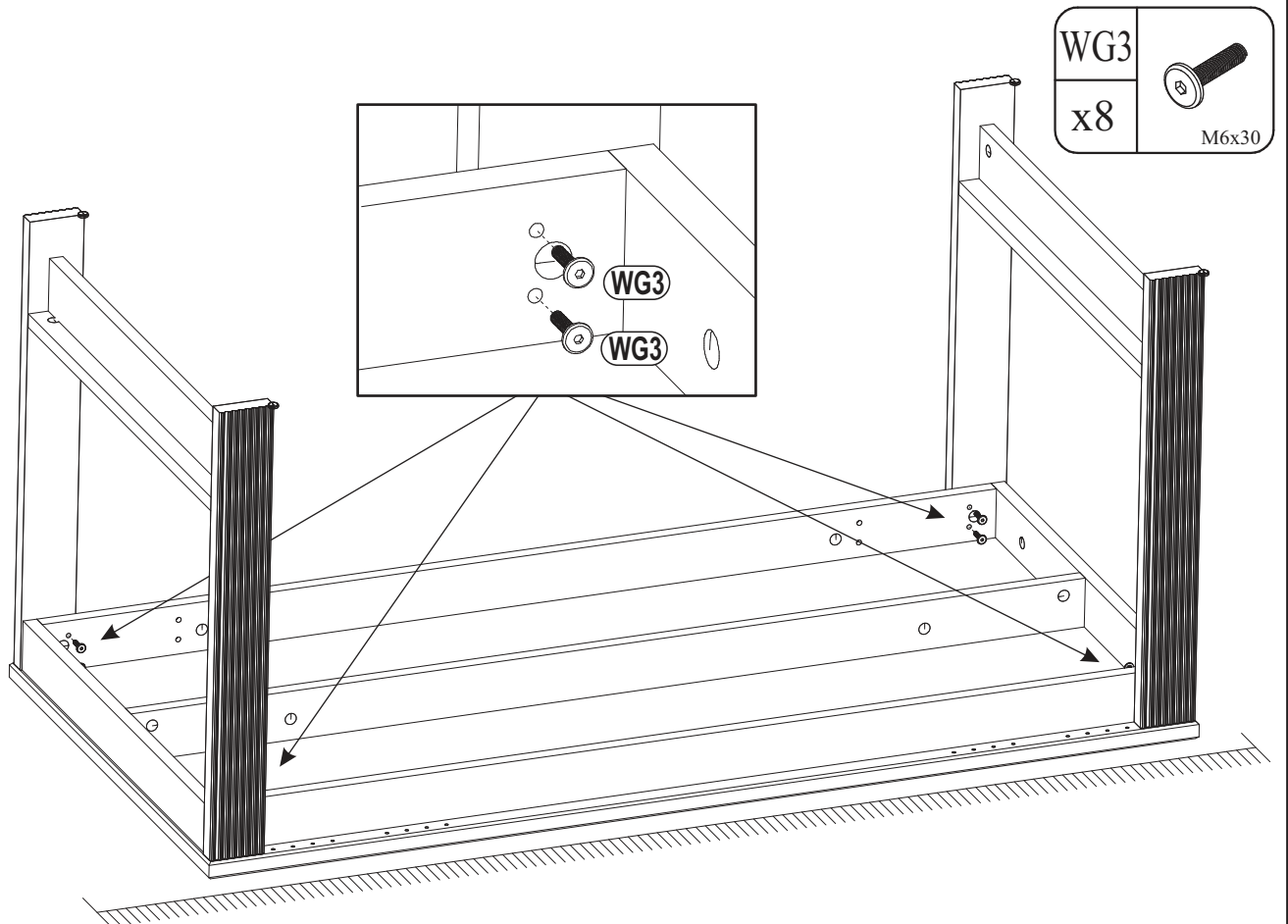
|    |  |
|----|--|
| G5 |  |
| x4 |  |



7



8





9

