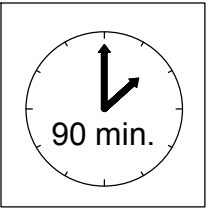
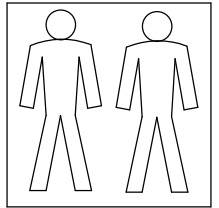
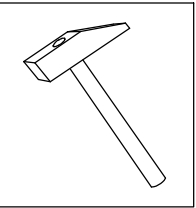
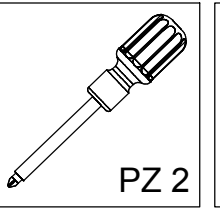
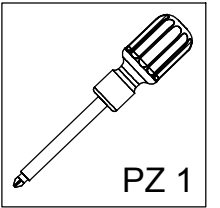
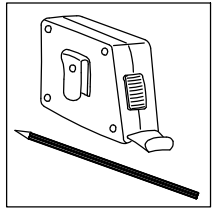
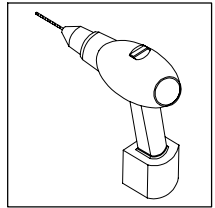
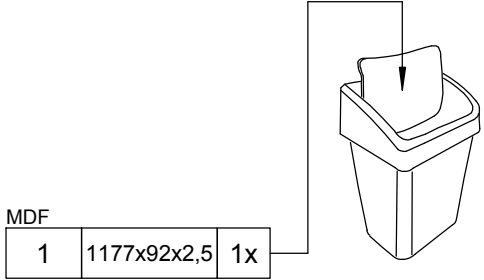
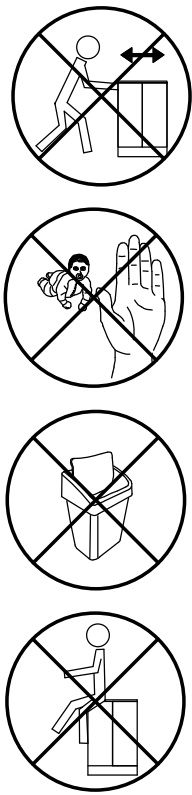
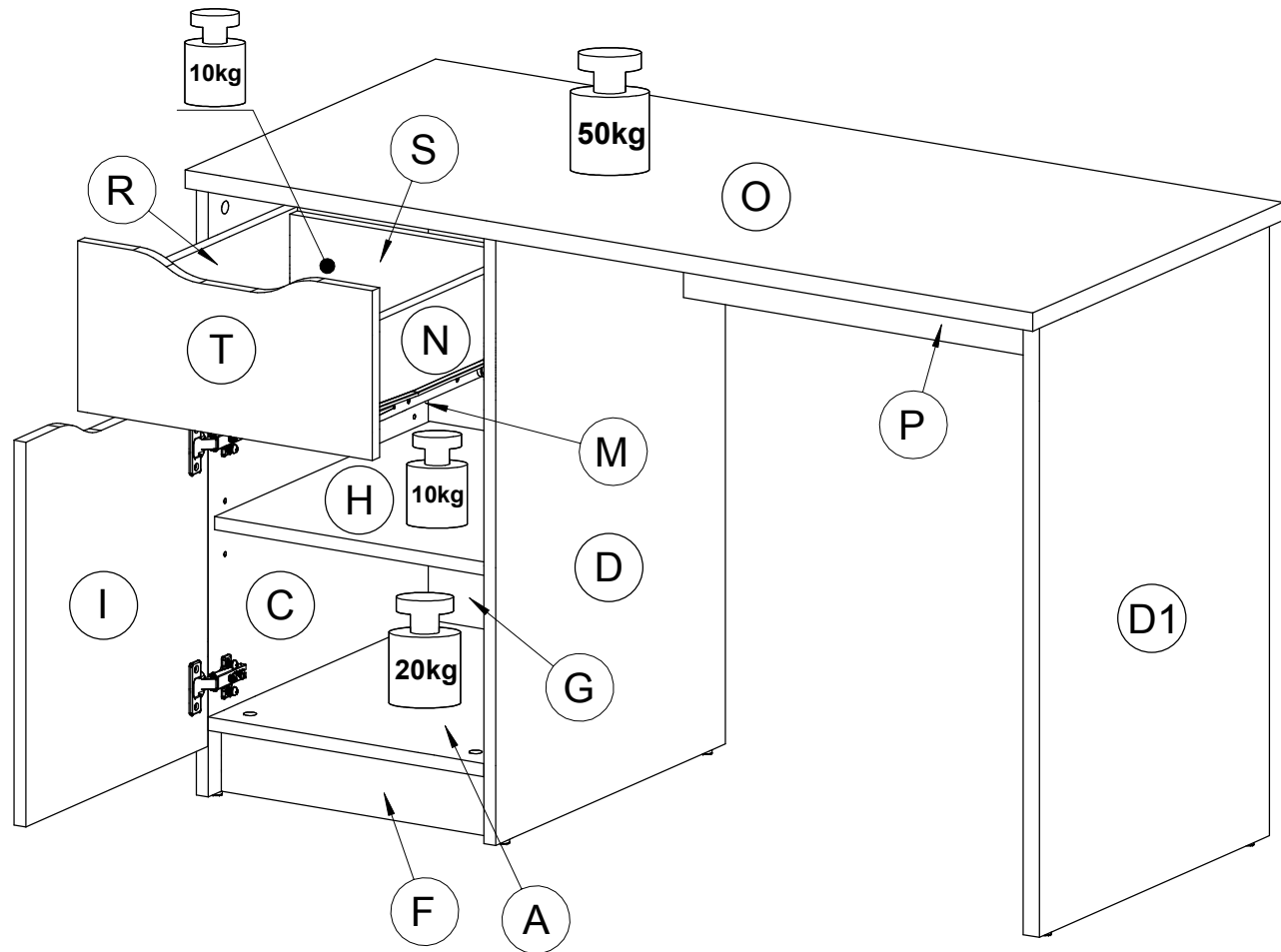
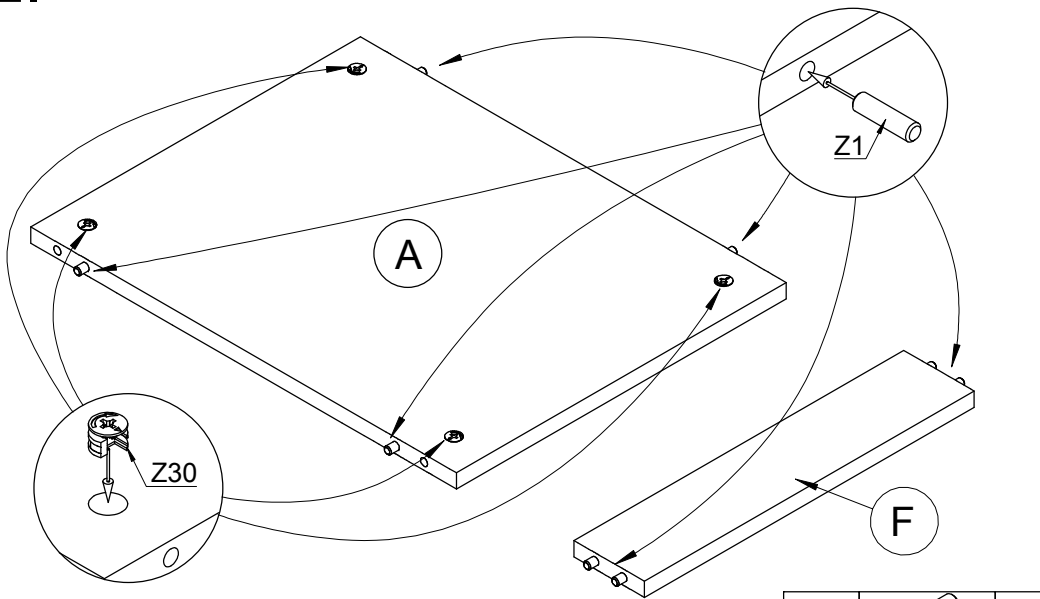


A	483x374	1x	Z1		20x
C	733x505	1x	Z2		1x
D	733x505	1x	Z3		2x
D1	733x505	1x	Z16		10x
F	374x80	1x	Z29		15x
G	390x329	4x	Z30		19x
H	472x374	1x	Z33		19x
I	462x400	1x	Z68		4x
M	406x347	1x	Z78		4x
N, R	400x117	2x	Z90		6x
O	1150x550	1x	Z104		1x
P	716x175	1x	Z114		2x
S	317x112	1x	Z156		10x
T	400x204	1x	Z166		2x
			Z178		6x
			Z191		2x

WESTPHALEN



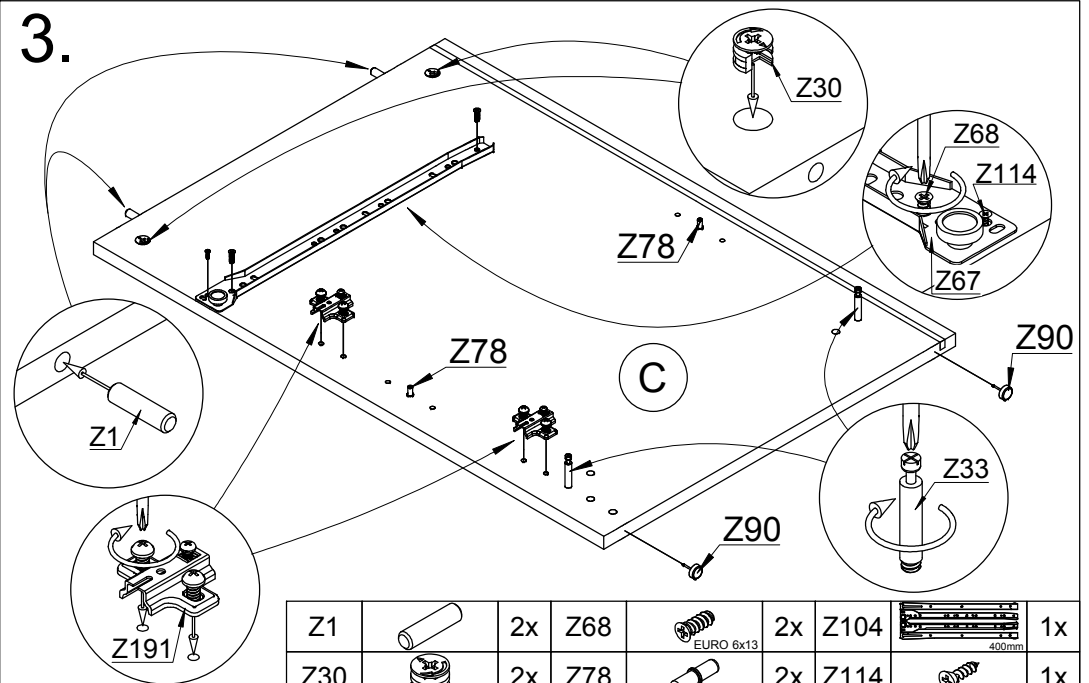
2.



A	483x374	1x	F	374x80	1x
---	---------	----	---	--------	----

Z1		8x
Z30		4x

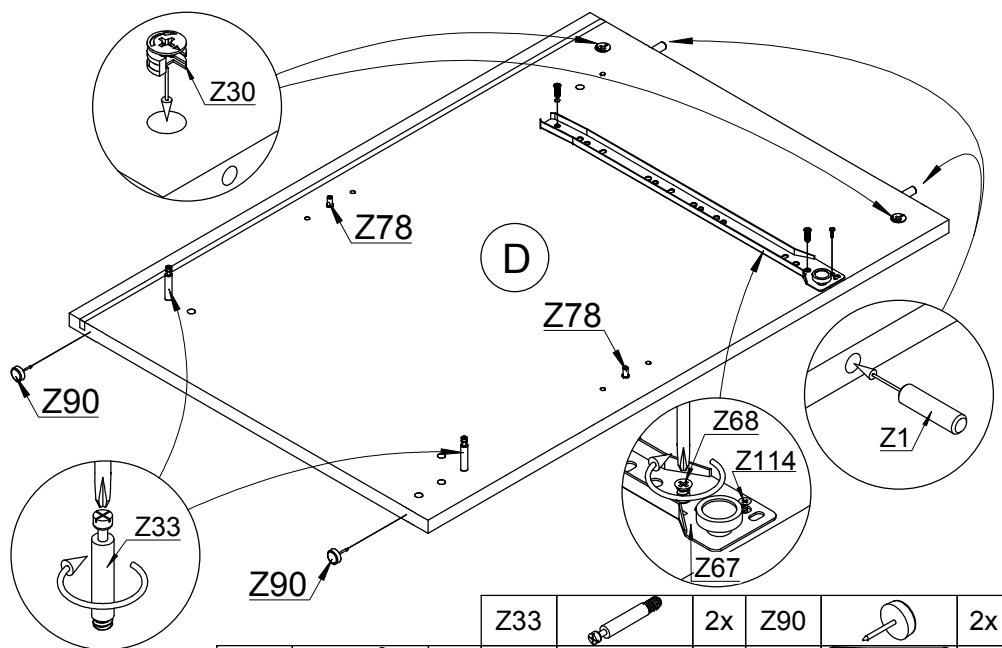
3.



C	733x505	1x
---	---------	----

Z1		2x	Z68		2x	Z104		1x
Z30		2x	Z78		2x	Z114		1x
Z33		2x	Z90		2x	Z191		2x

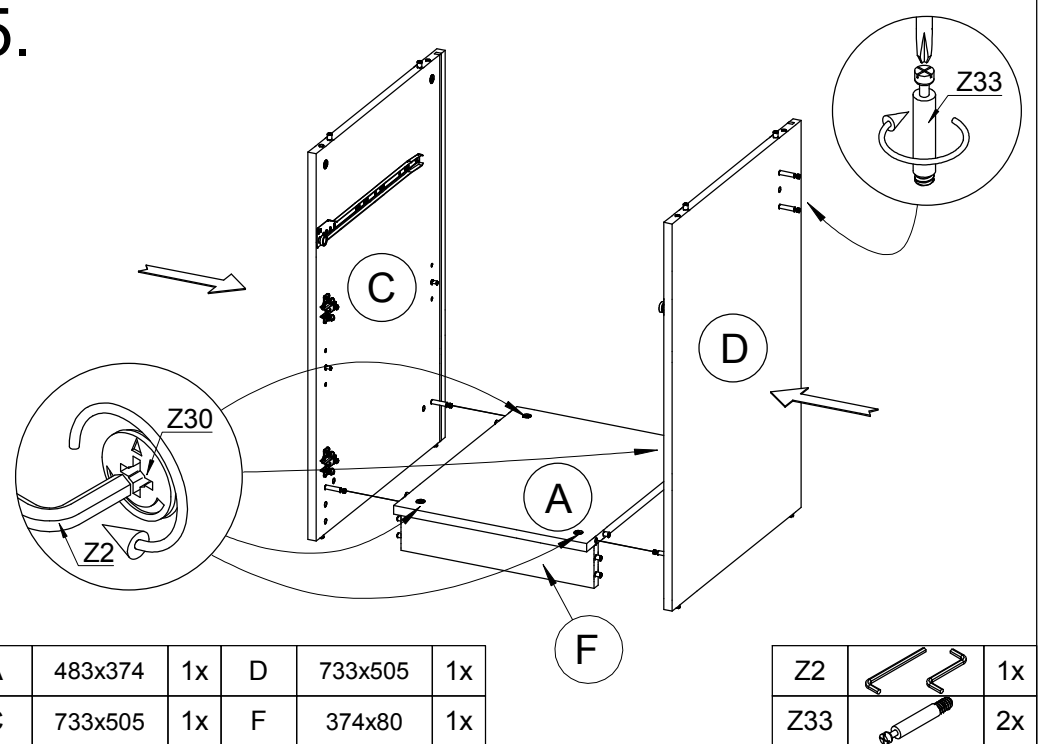
4.



D	733x505	1x
---	---------	----

Z1		2x	Z33		2x	Z90		2x
Z30		2x	Z68		2x	Z104		1x
Z78		2x	Z114		1x			

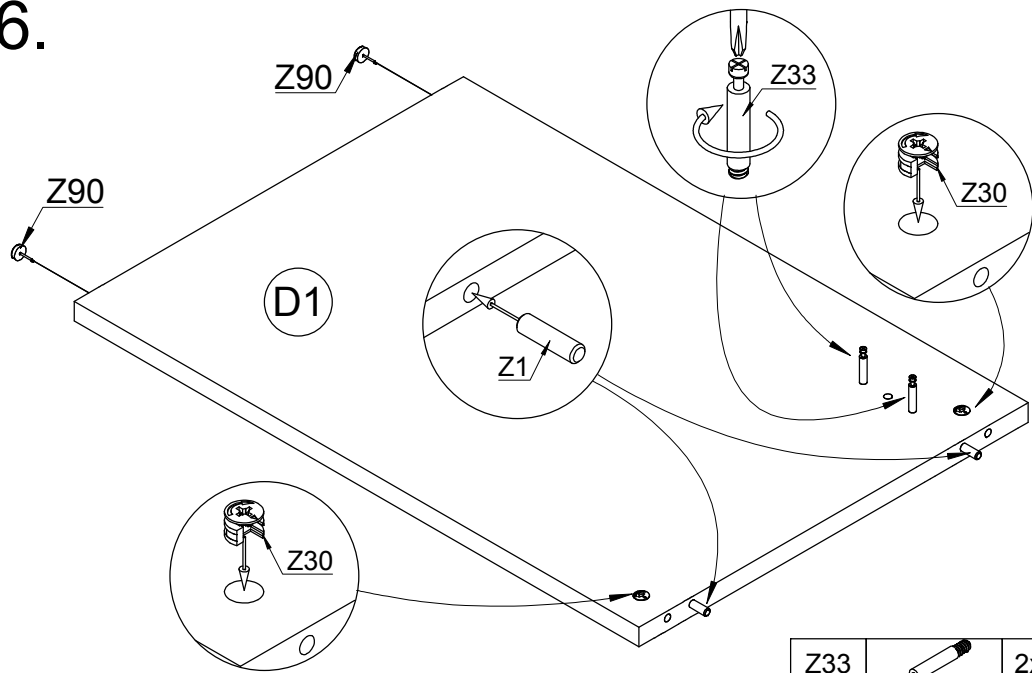
5.

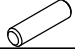




A	483x374	1x	D	733x505	1x
C	733x505	1x	F	374x80	1x

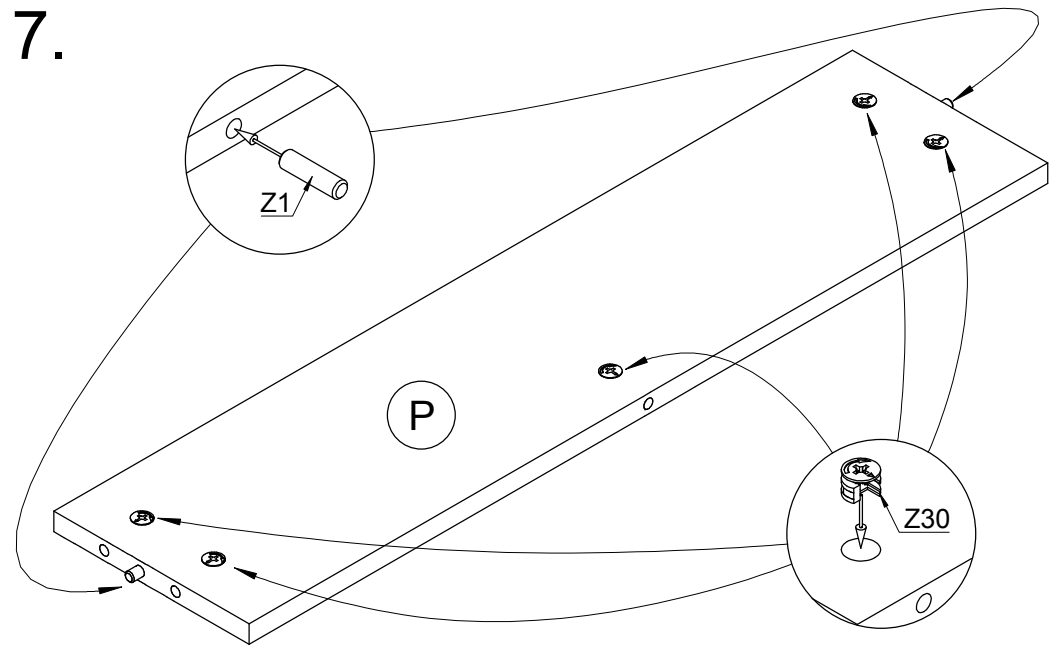
Z2		1x
Z33		2x



6.



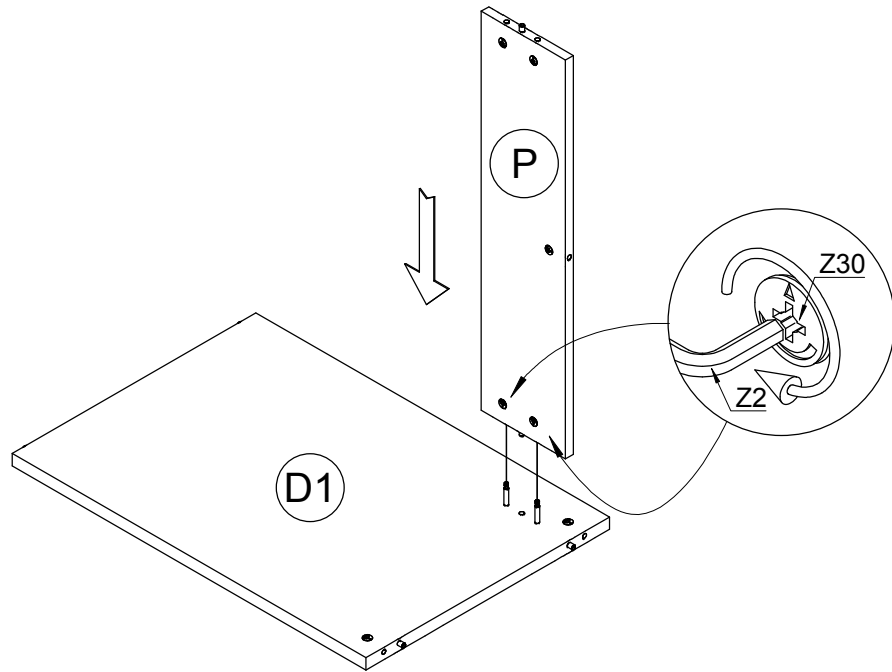
D1	733x505	1x	Z1		2x	Z30		2x	Z90		2x
----	---------	----	----	---	----	-----	---	----	-----	--	----

7.



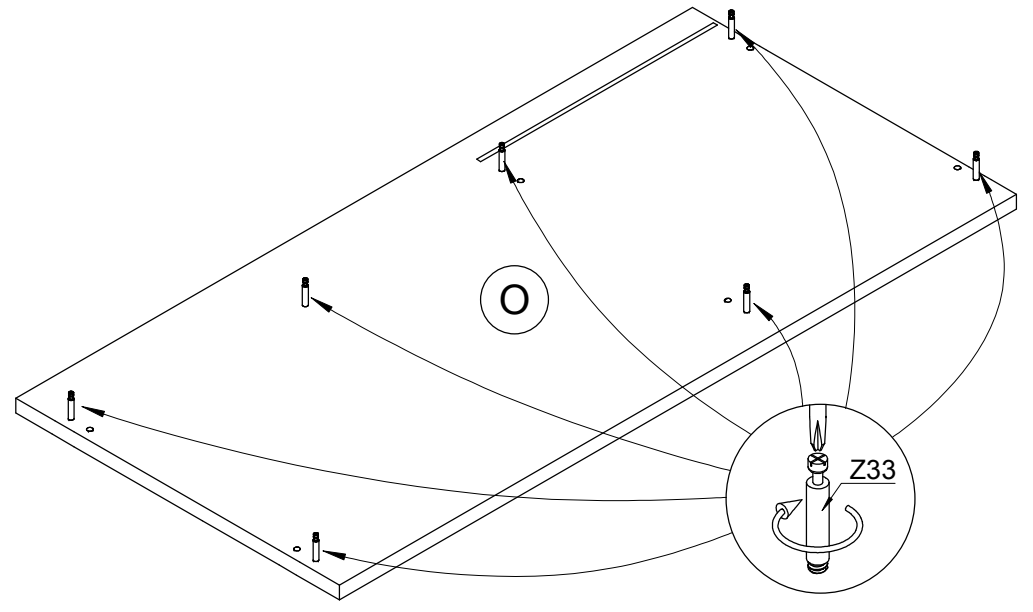
P	716x175	1x	Z1		2x	Z30		5x
---	---------	----	----	---	----	-----	---	----

8.



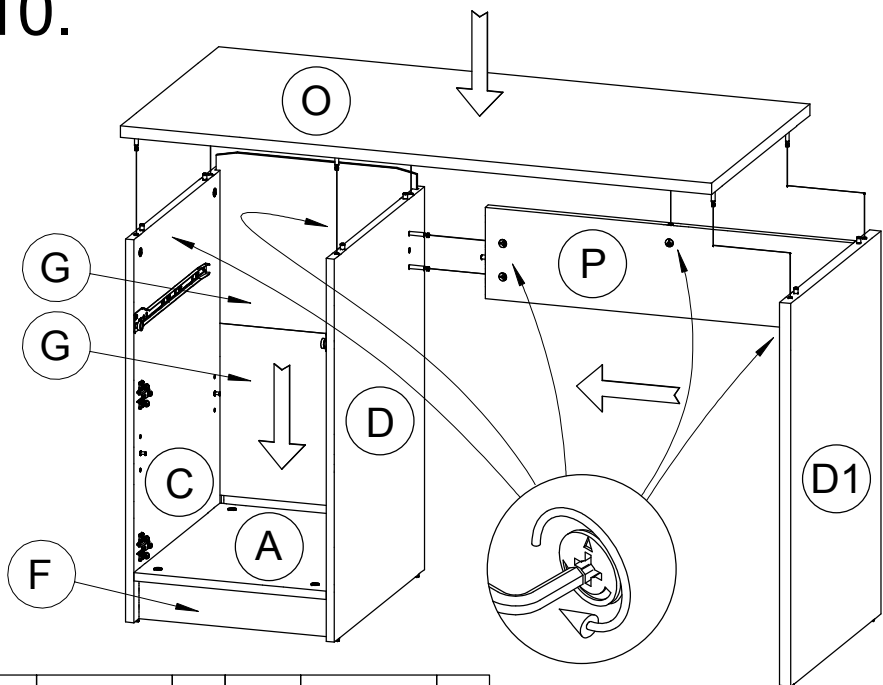
D1	733x505	1x	P	716x175	1x
----	---------	----	---	---------	----

9.



O	1150x550	1x	Z33		7x
---	----------	----	-----	---	----

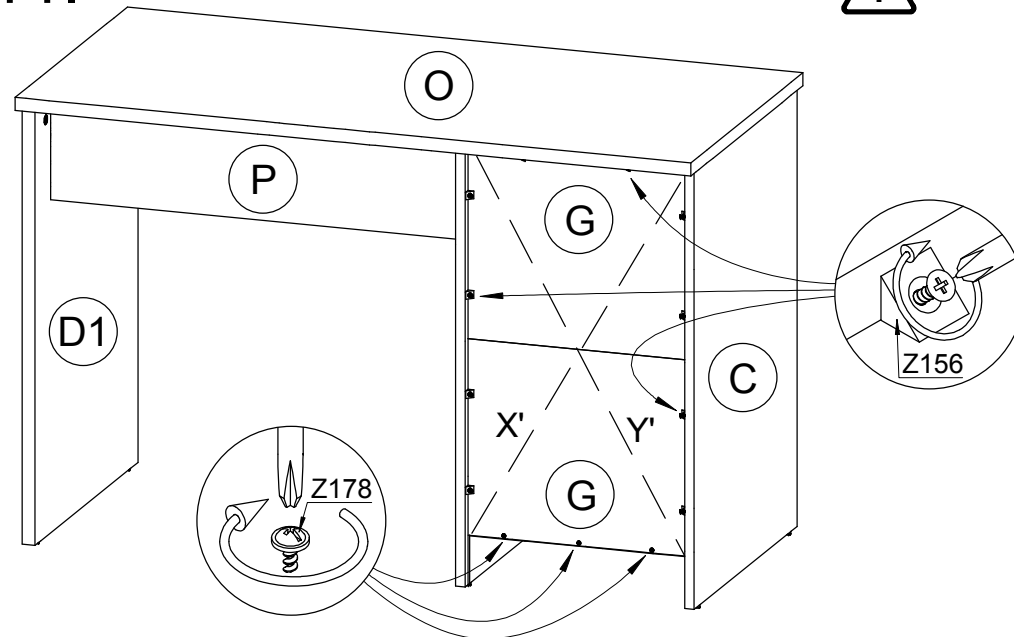
10.



O	1150x550	1x	G	390x329	4x
---	----------	----	---	---------	----

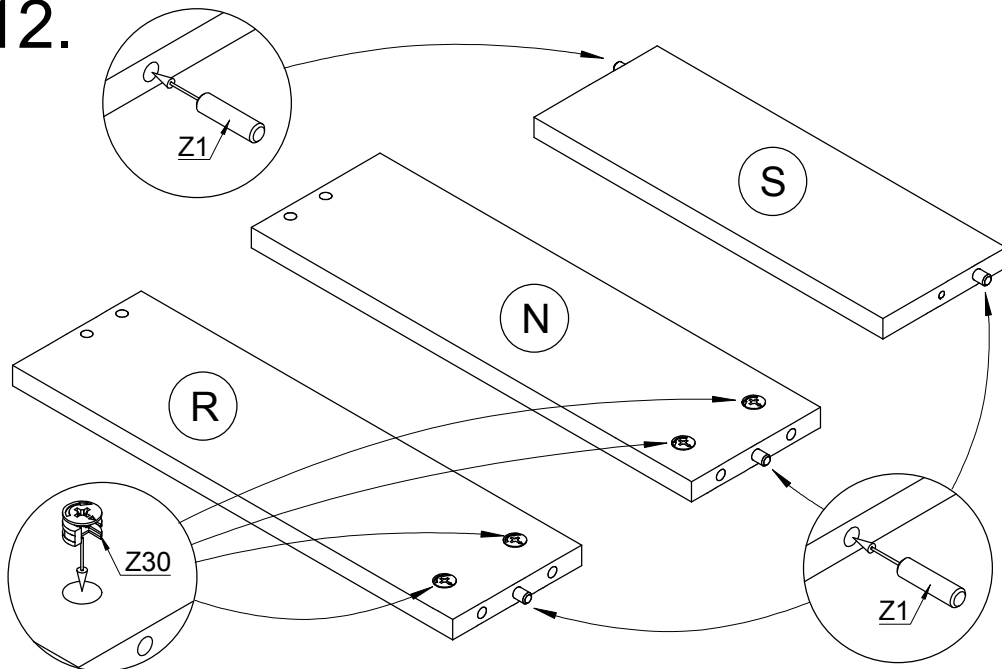
11.

⚠ X'=Y'



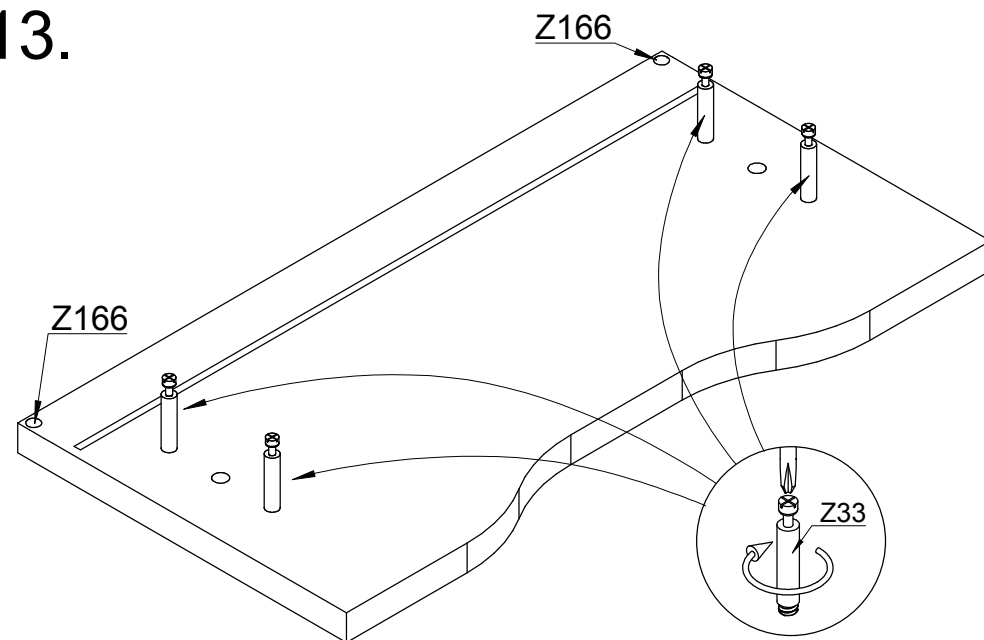
Z156		10x	Z178		3x
------	--	-----	------	--	----

12.



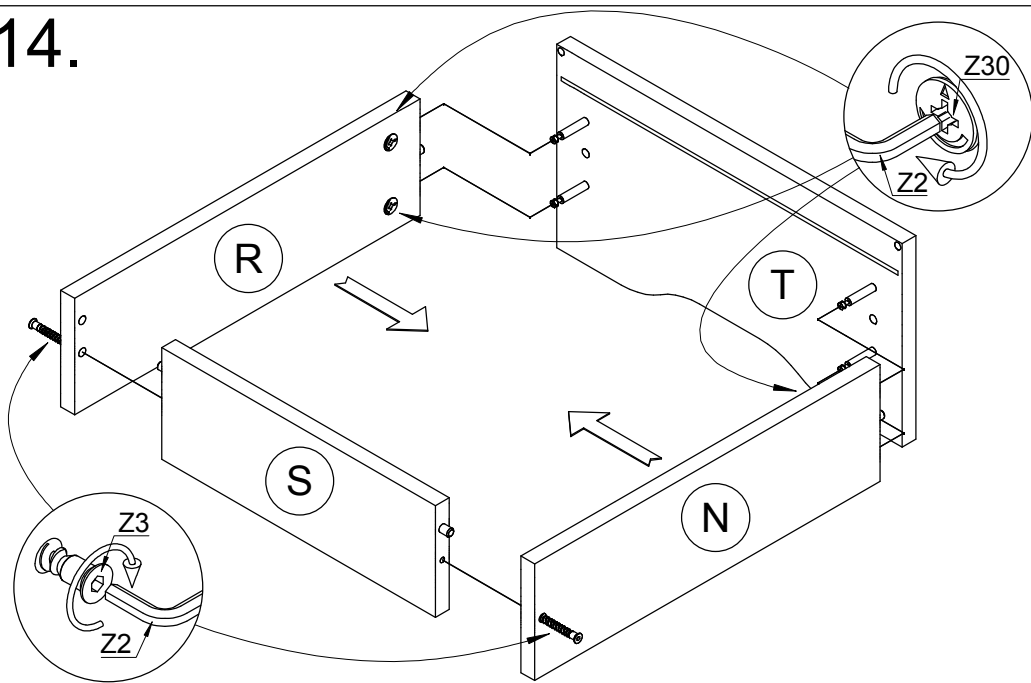
N, R	400x117	2x	S	317x112	1x	Z1		4x	Z30		4x
------	---------	----	---	---------	----	----	--	----	-----	--	----

13.



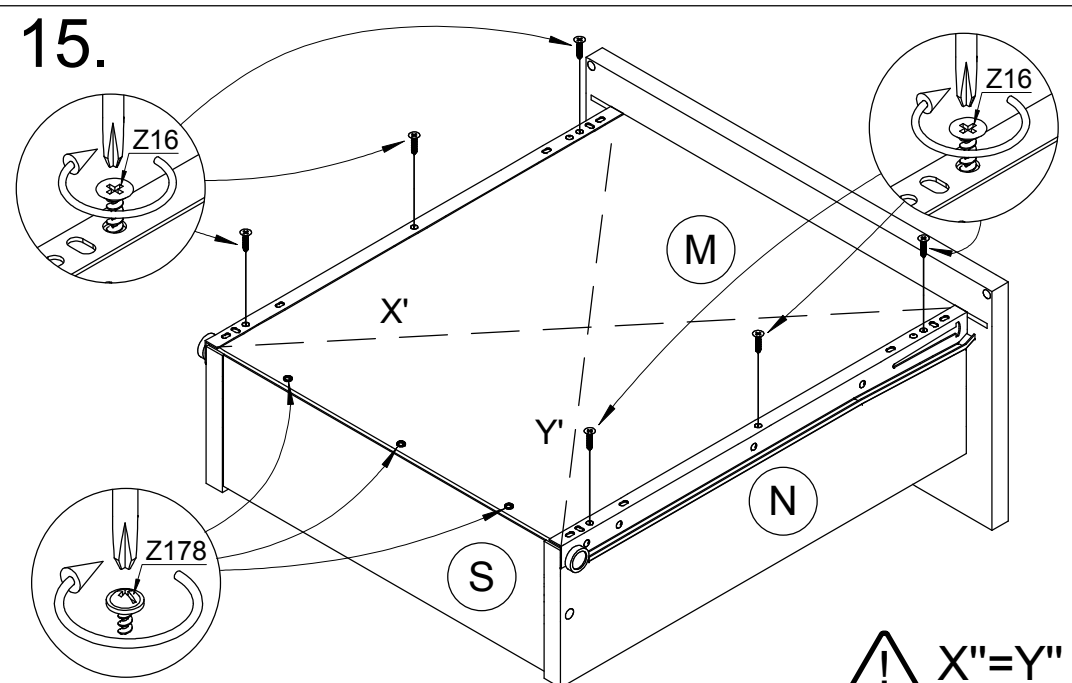
T	400x204	1x	Z33		4x	Z166		1x
---	---------	----	-----	--	----	------	--	----

14.



N, R	400x117	2x	S	317x112	1x	T	400x204	1x	Z3		2x
------	---------	----	---	---------	----	---	---------	----	----	--	----

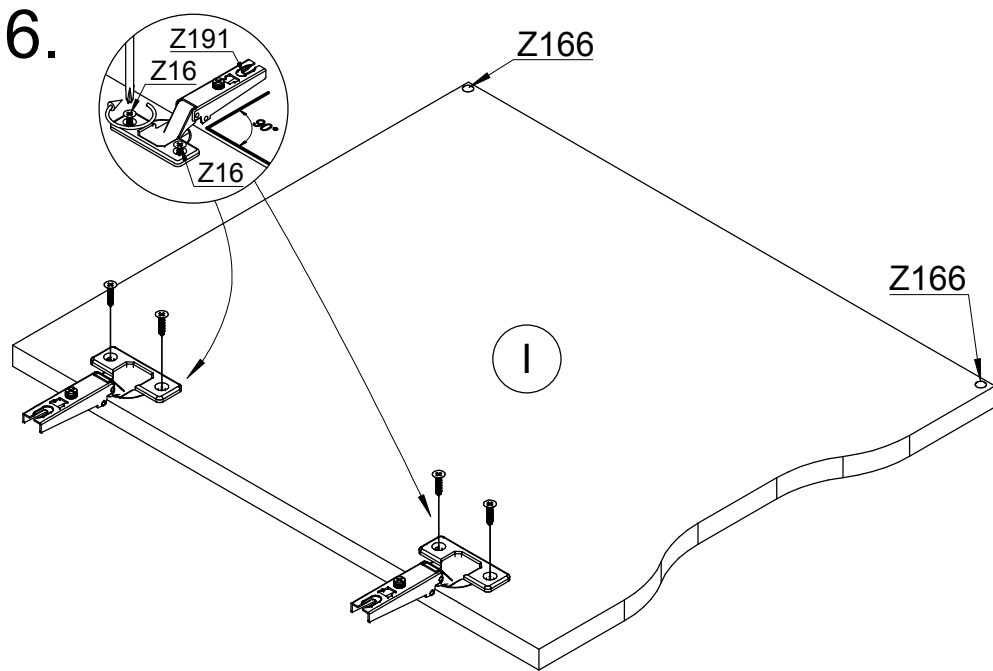
15.



X''=Y''

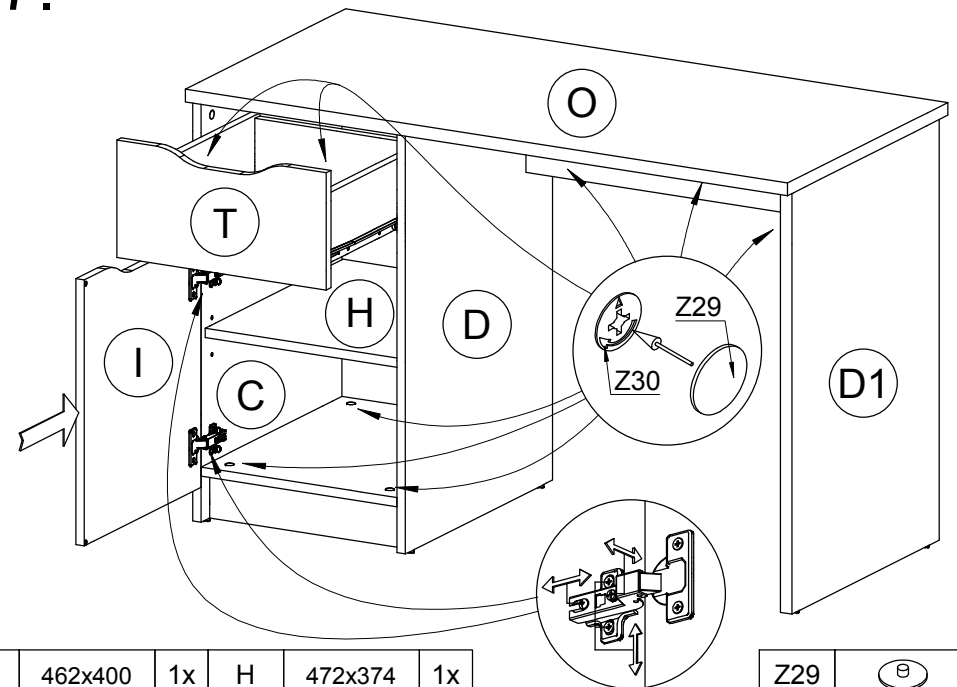
M	406x347	1x	Z16		Ø3,5x16	6x	Z104		400mm	1x	Z178		Ø3x20	3x
---	---------	----	-----	--	---------	----	------	--	-------	----	------	--	-------	----

16.



I	462x400	1x	Z16		Ø3,5x16	4x	Z166		1x	Z191		2x
---	---------	----	-----	--	---------	----	------	--	----	------	--	----

17.



I	462x400	1x	H	472x374	1x	Z29		15x
---	---------	----	---	---------	----	-----	--	-----