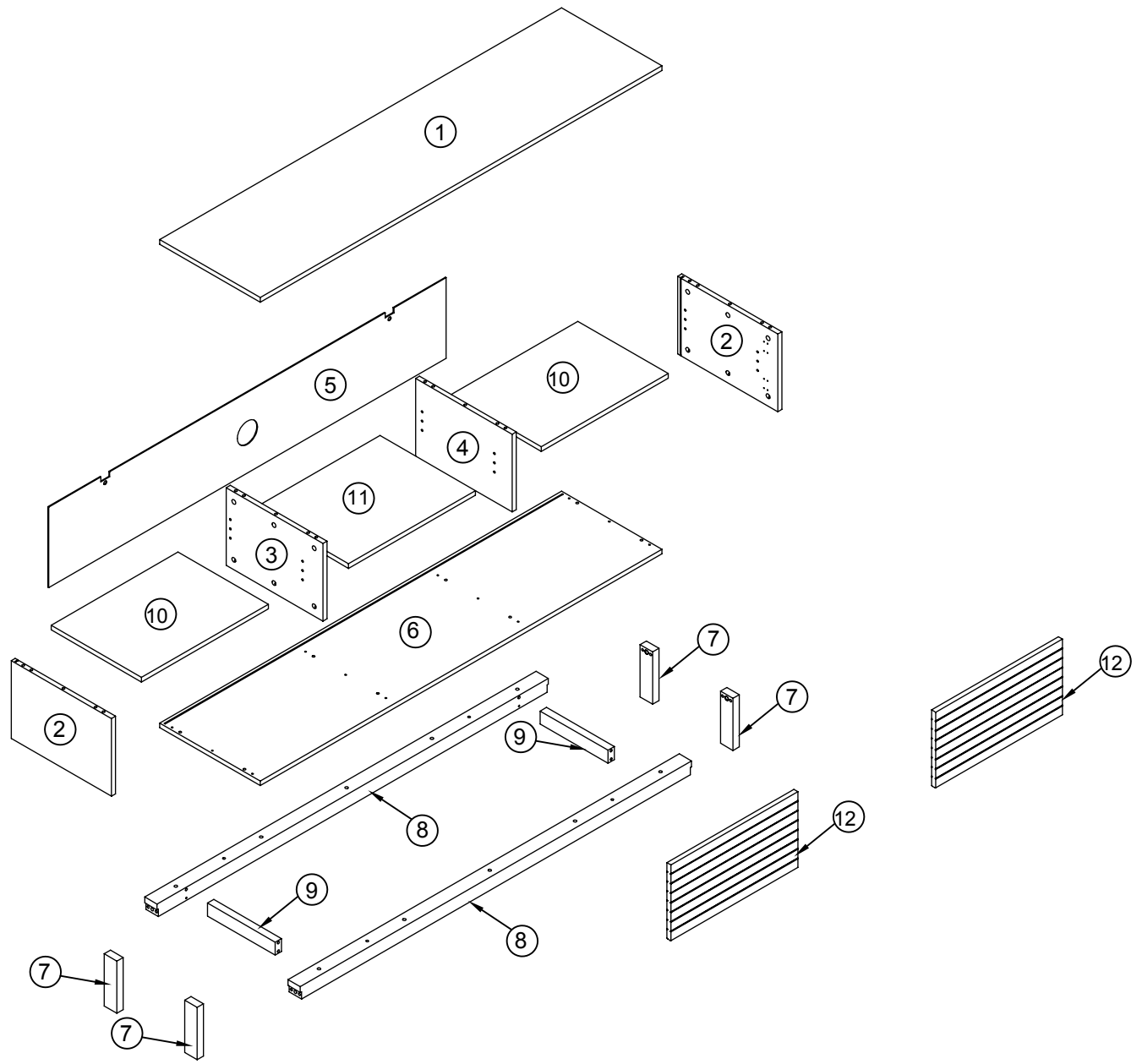
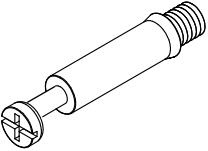
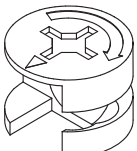
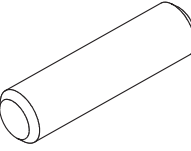
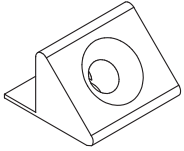
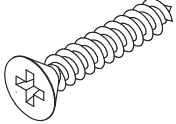
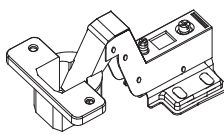
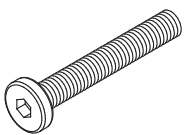
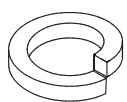
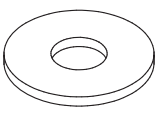
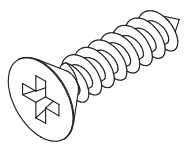
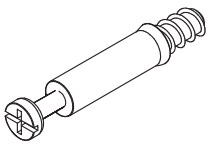
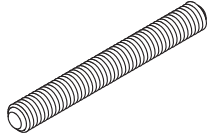
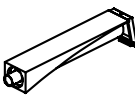
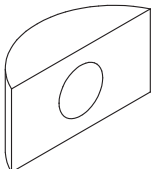
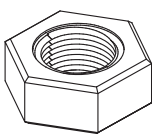
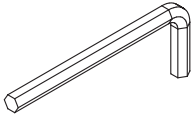
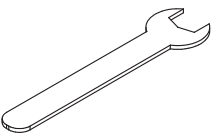
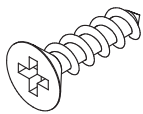
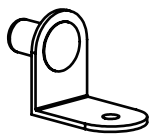
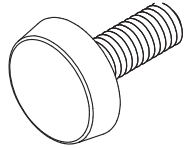
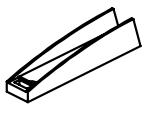

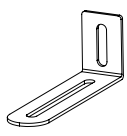


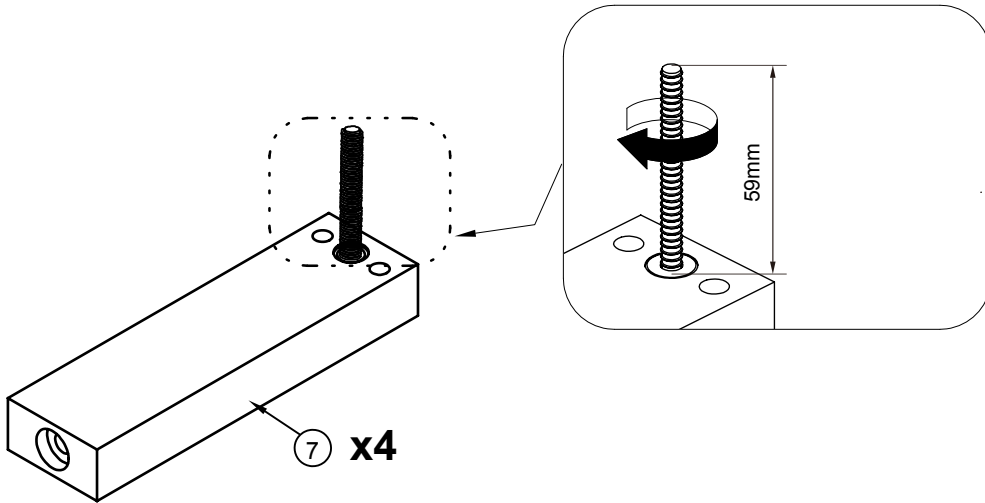
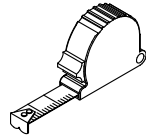
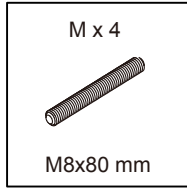
			✓
①	1	1600x400x16	
②	2	268x399x16	
③	1	268x385x16	
④	1	268x385x16	
⑤	1	1572x278x3	
⑥	1	1600x400x16	

			✓
⑦	4	180x50x25	
⑧	2	1558x49x45	
⑨	2	270x45x25	
⑩	2	504x360x16	
⑪	1	504x380x16	
⑫	2	504x262x16	

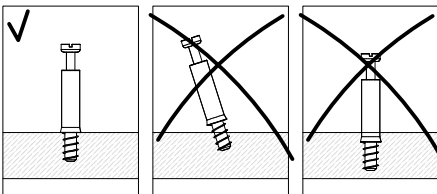
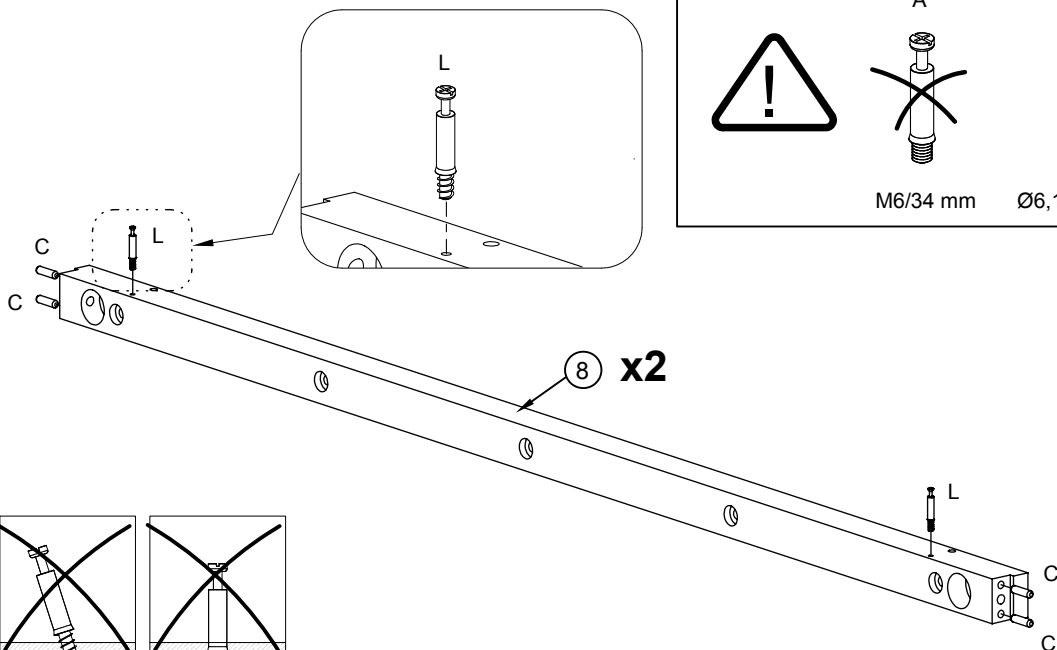
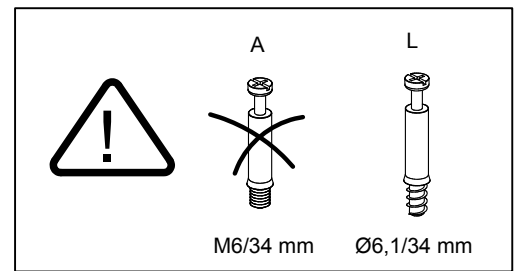
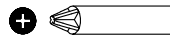
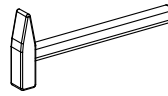
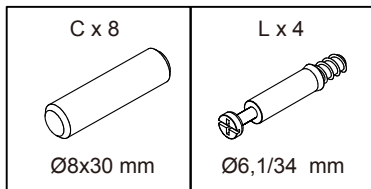


<p>A x 24</p>  <p>M6/34 mm</p>	<p>B x 28</p>  <p>Ø15x12 mm</p>	<p>C x 32</p>  <p>Ø8x30 mm</p>	<p>D x 4</p>  <p>15x15 mm</p>	<p>E x 4</p>  <p>Ø3.5x15 mm</p>
<p>F x 4</p>  <p>Ø35,FK 17</p>	<p>G x 10</p>  <p>M6x50 mm</p>	<p>H x 10</p>  <p>Ø6 mm</p>	<p>J x 10</p>  <p>Ø6/Ø16 mm</p>	<p>K x 28</p>  <p>Ø4x15 mm</p>
<p>L x 4</p>  <p>Ø6,1/ 34mm</p>	<p>M x 4</p>  <p>M8x80 mm</p>	<p>N x 2</p>  <p>85x13x16 mm</p>	<p>P x 4</p>  <p>27x15x6 mm</p>	<p>Q x 4</p>  <p>M8/12 mm</p>
<p>R x 1</p>  <p>4 mm</p>	<p>S x 1</p>  <p>12 mm</p>	<p>T x 6</p>  <p>Ø3x12 mm</p>	<p>U x 12</p>  <p>30x13x17 mm</p>	<p>V x 4</p>  <p>M6/Ø15x20/6 mm</p>
<p>W x 2</p>  <p>79x13x13 mm</p>	<p>X x 6</p>  <p>Ø4/Ø12 mm</p>	<p>Y x 2</p>  <p>85x30x20 mm</p>		

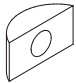
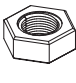
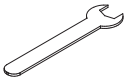
1

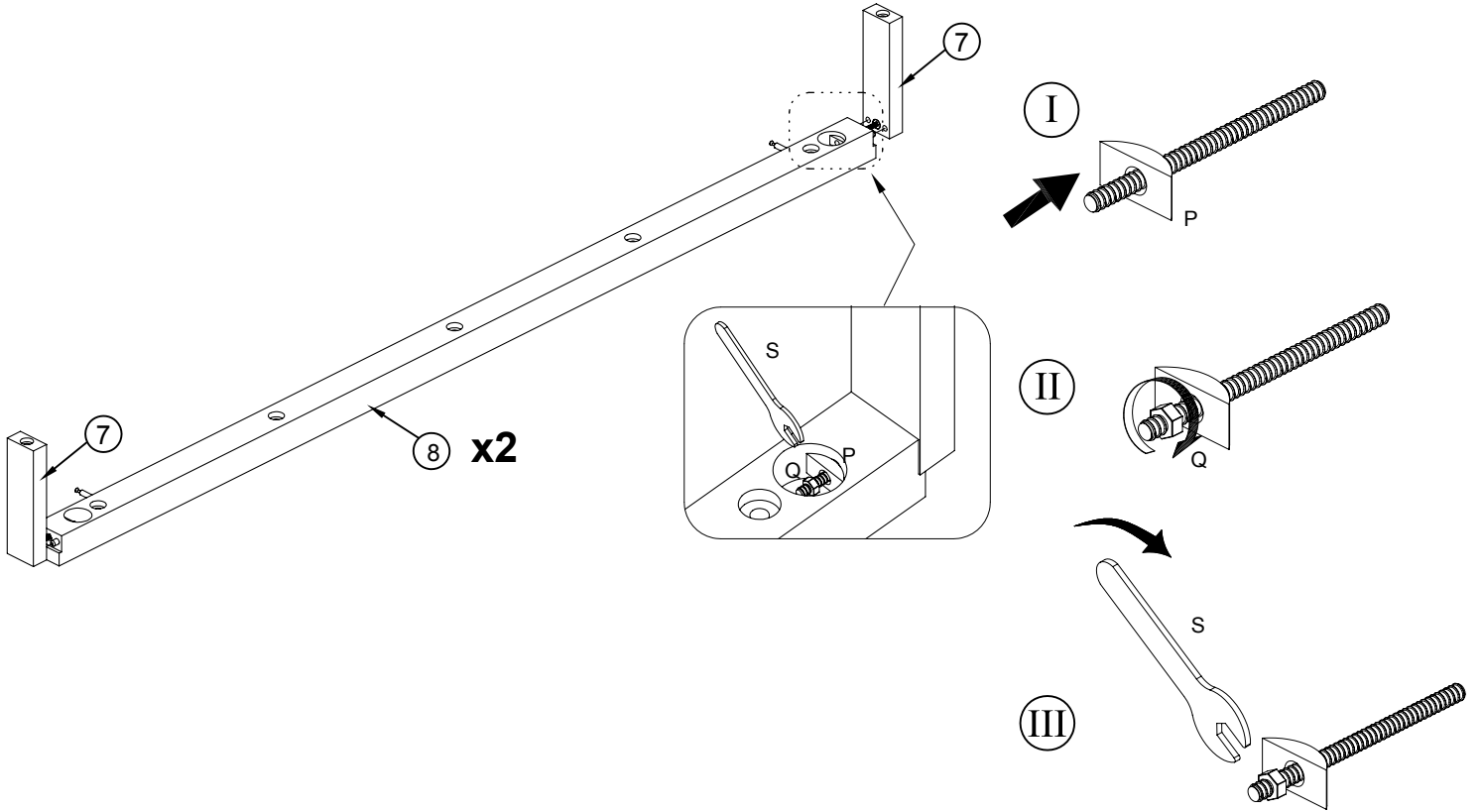


2

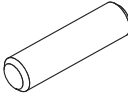


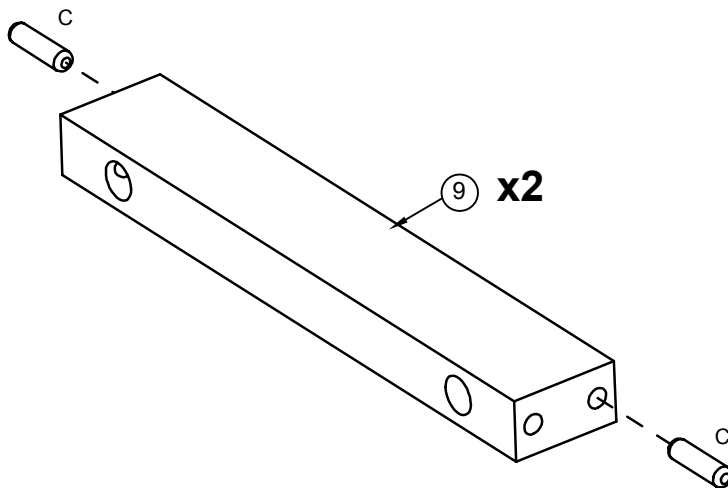
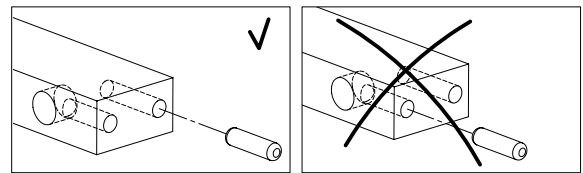
3

P x 4  27x15x6 mm	Q x 4  M8/12 mm	S x 1  12 mm
----------------------------------------------------------------------------------------------------------	--------------------------------------------------------------------------------------------------------	-----------------------------------------------------------------------------------------------------

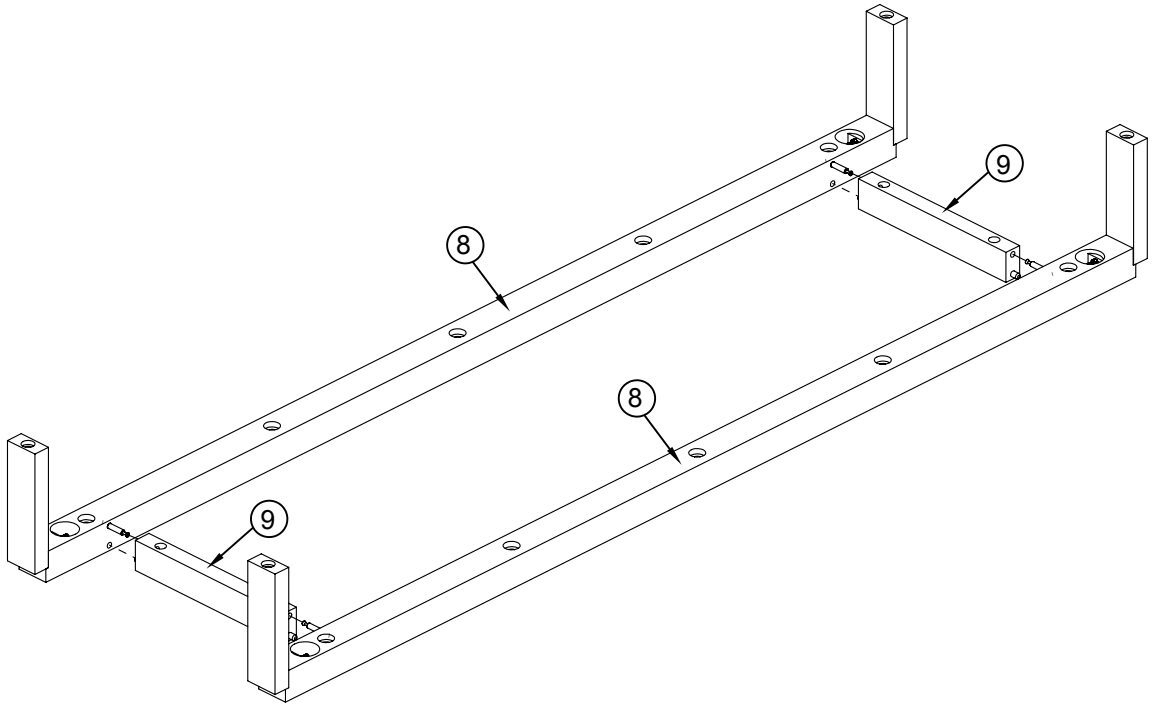


4

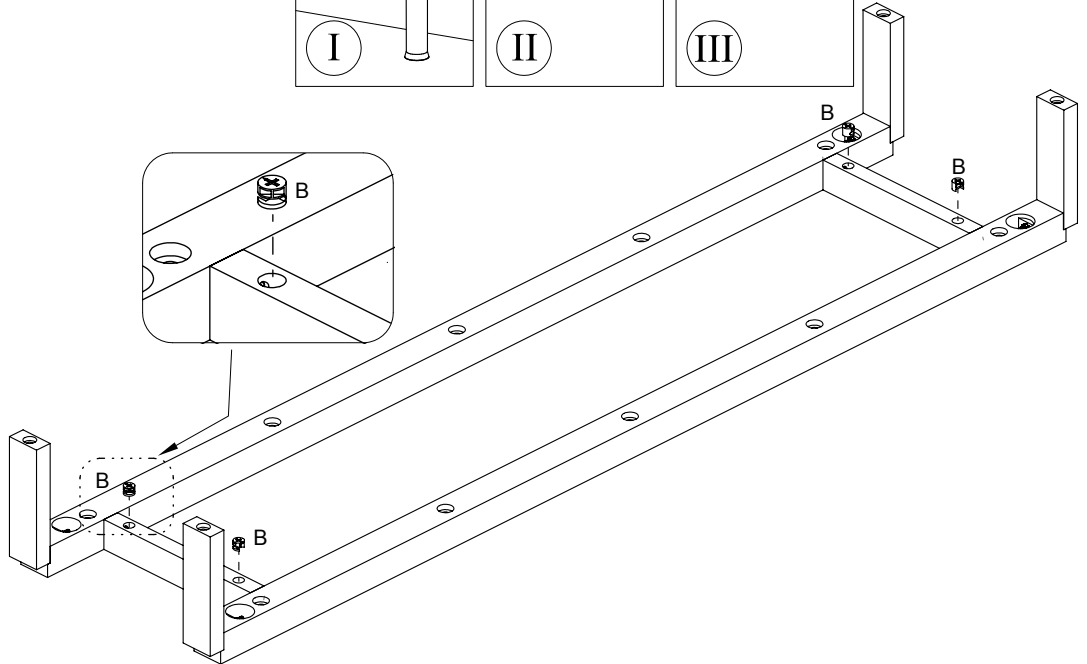
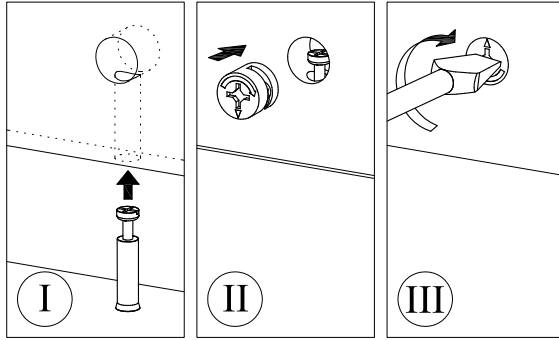
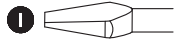
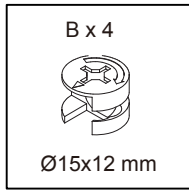
C x 4  Ø8x30 mm



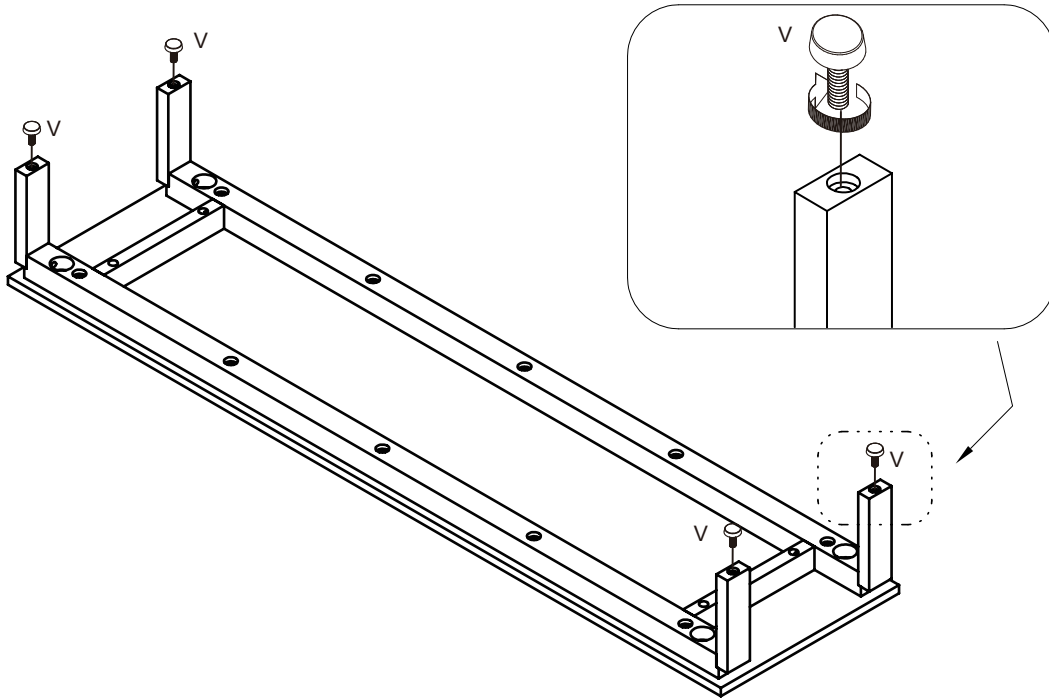
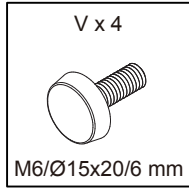
5



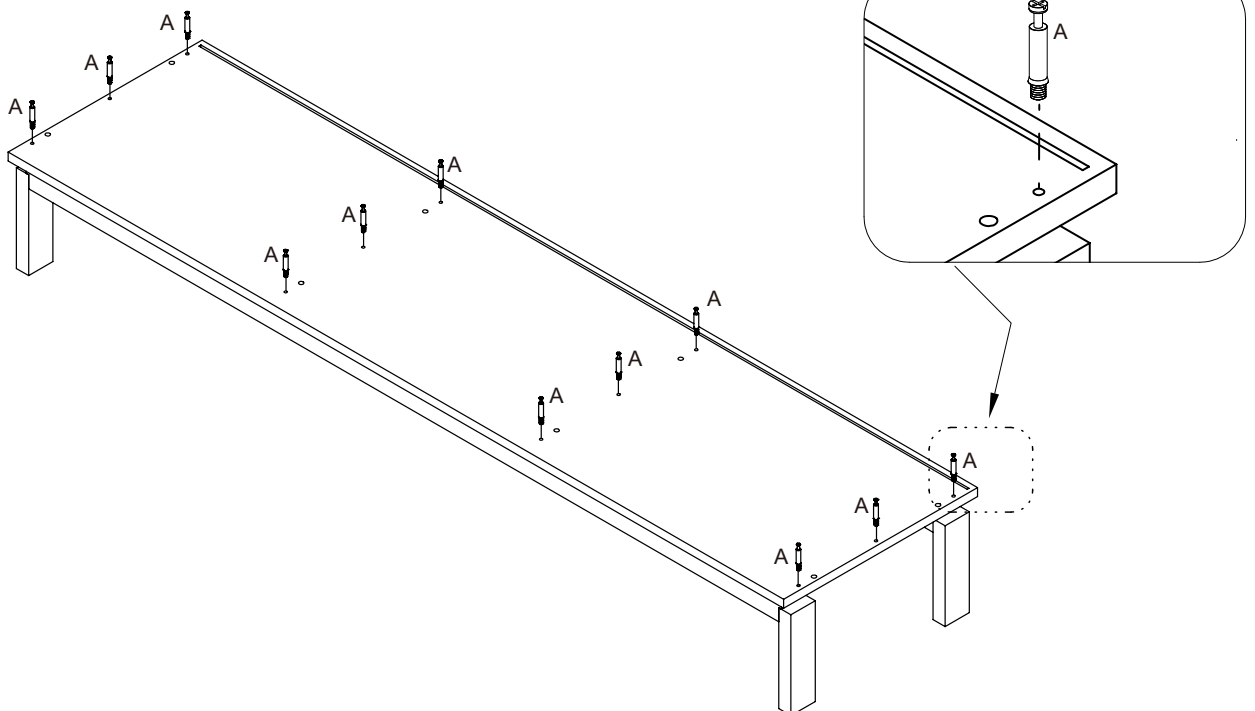
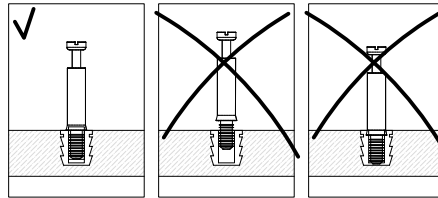
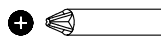
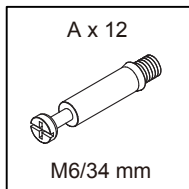
6



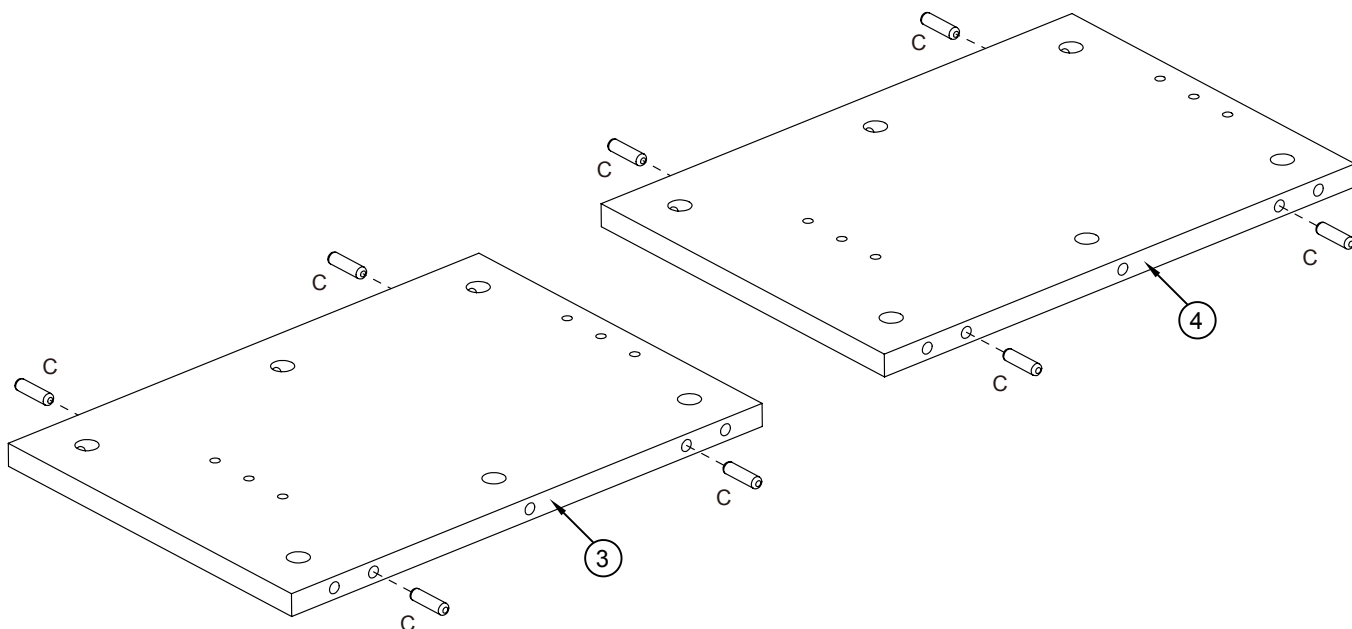
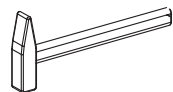
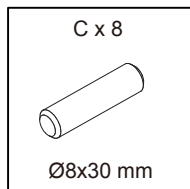
9



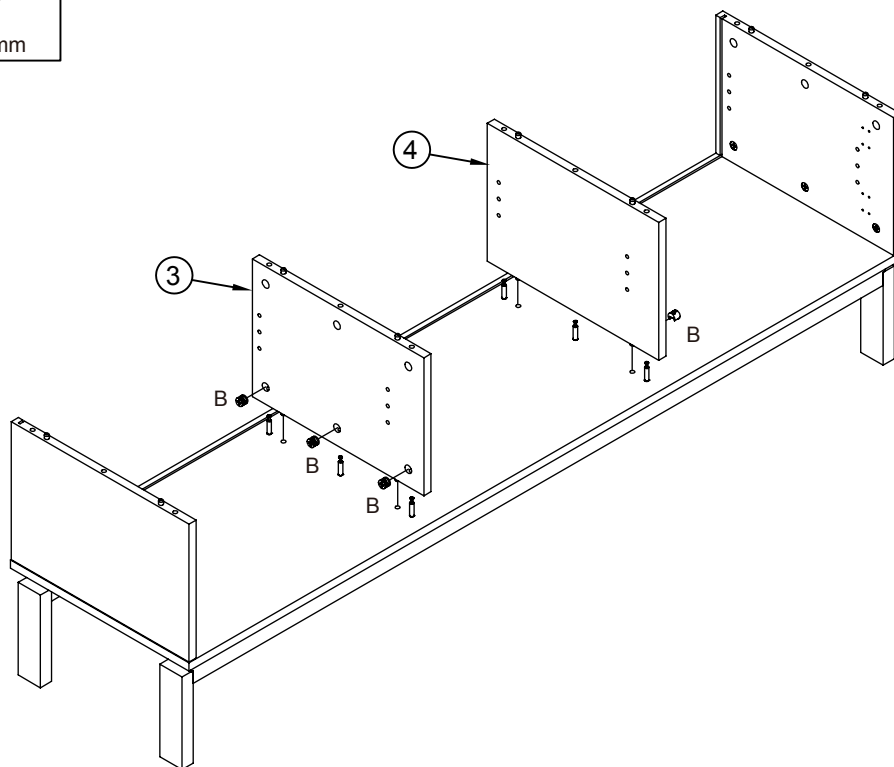
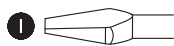
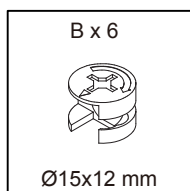
10



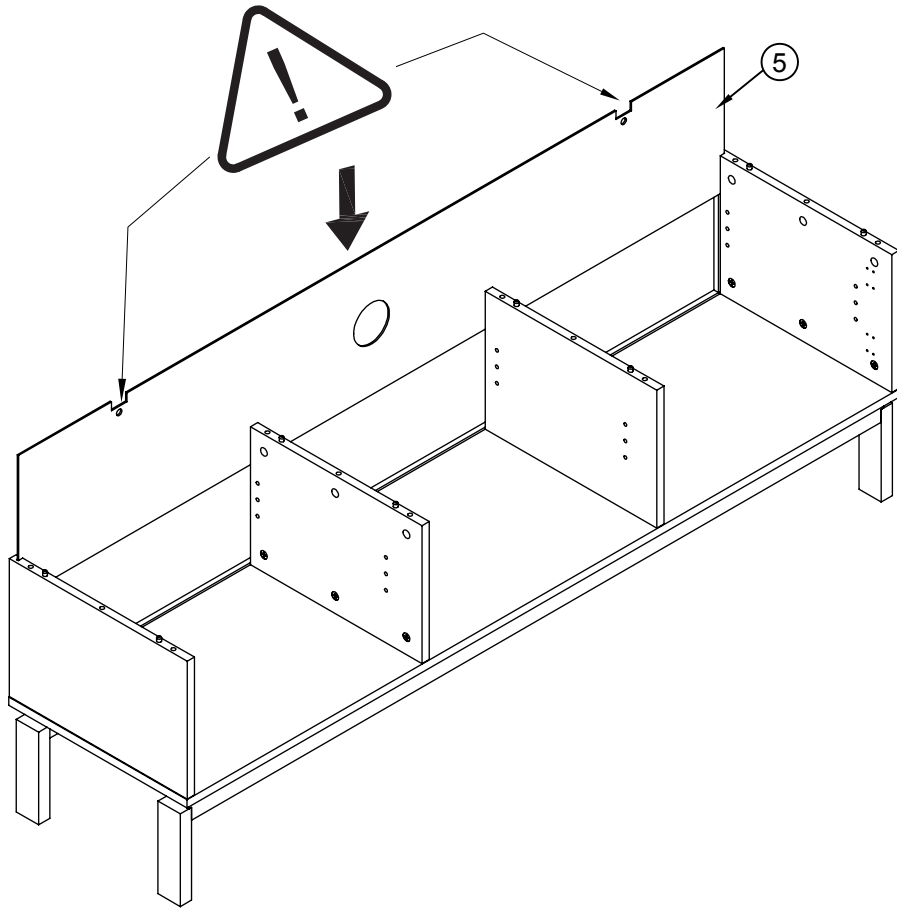
13



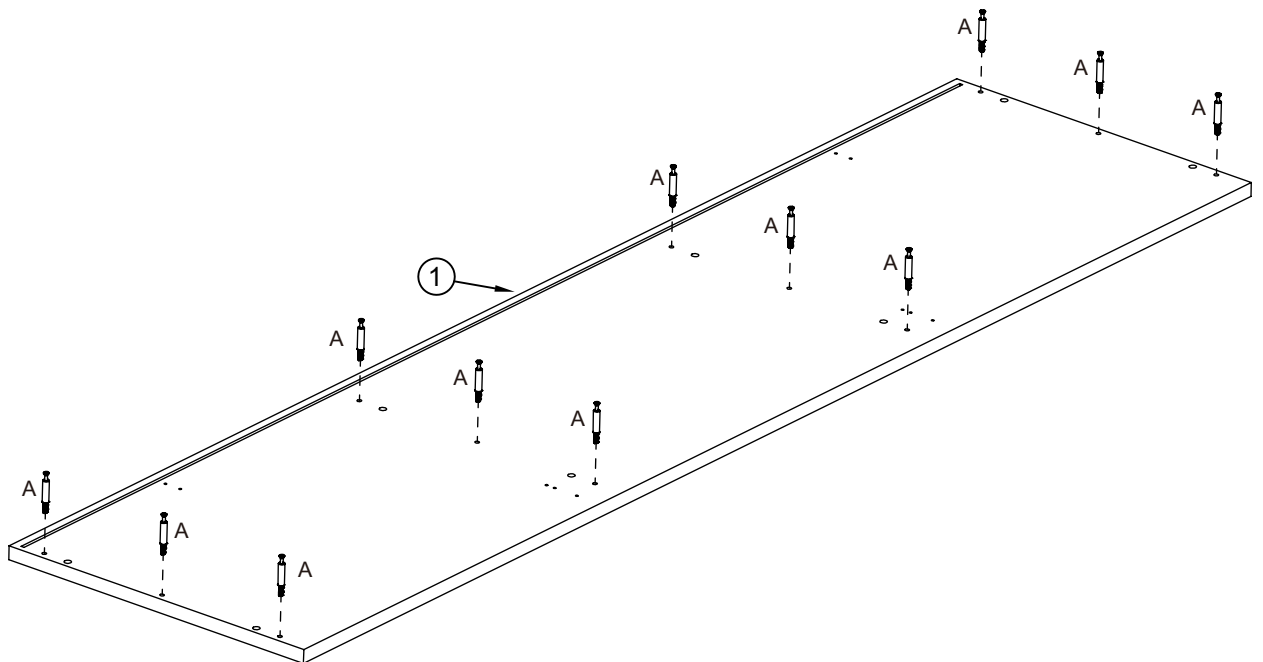
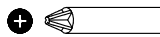
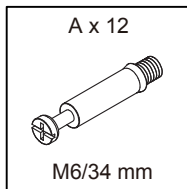
14






15

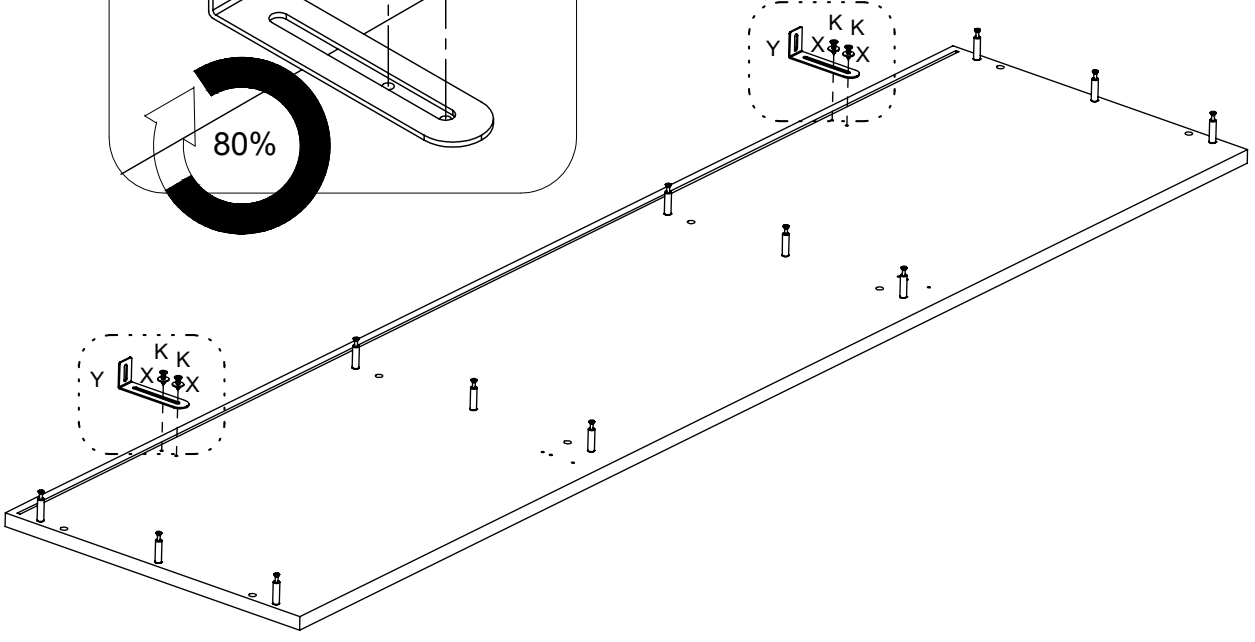
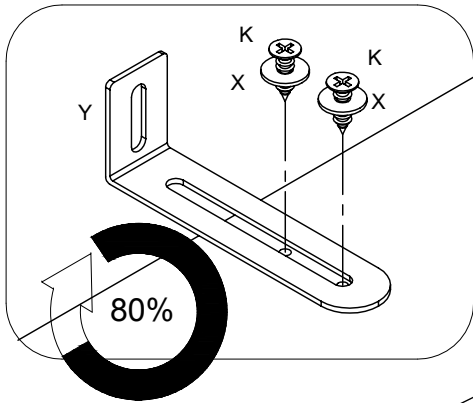
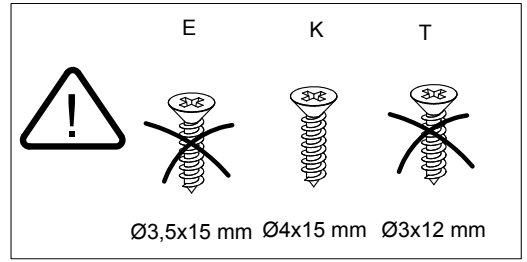
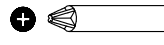


16

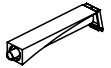




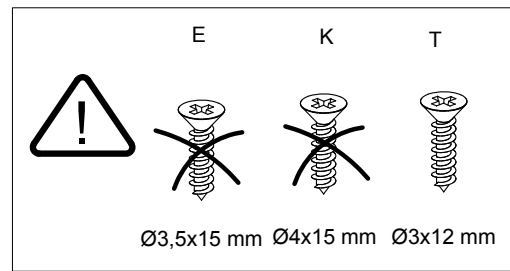
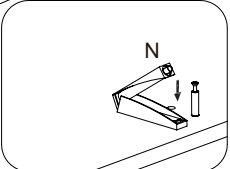
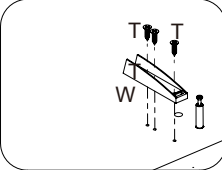
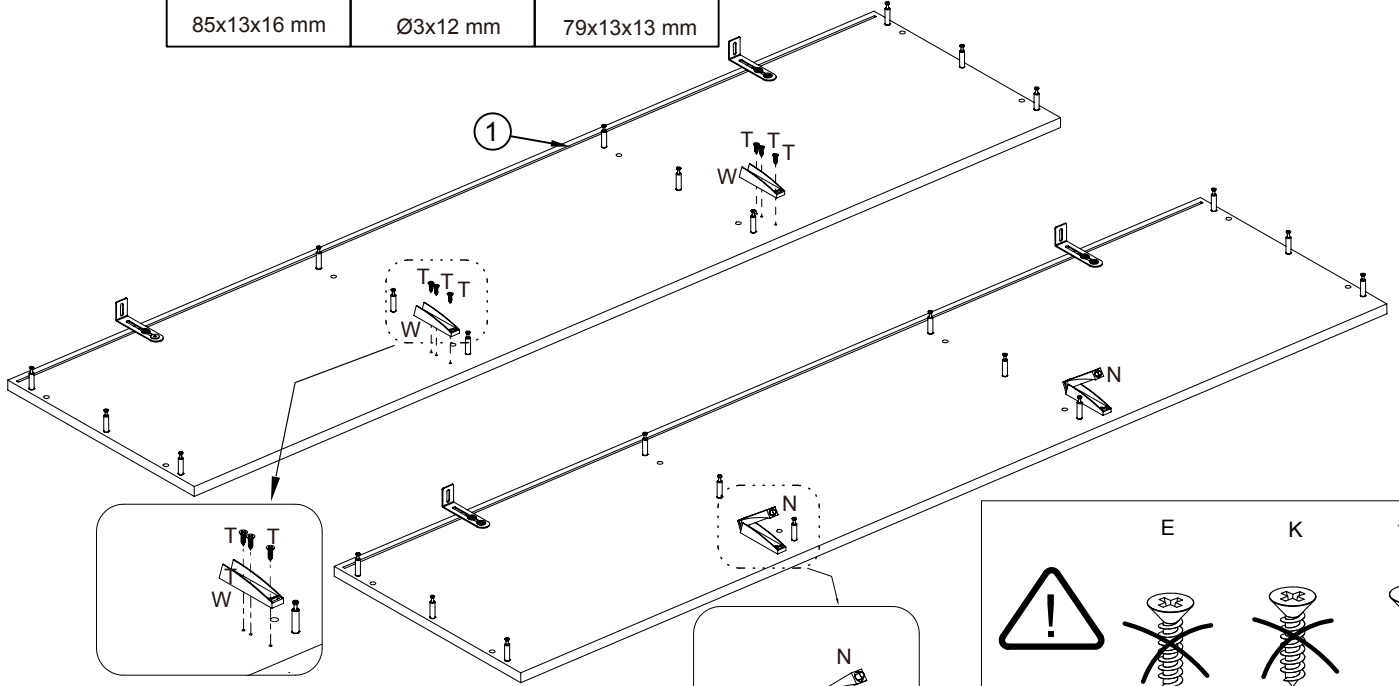
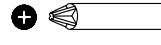
17

K x 4  Ø4x15mm	X x 4  Ø4/Ø12 mm	Y x 2  85x30x20 mm
-------------------------------------------------------------------------------------------------------	---------------------------------------------------------------------------------------------------------	-----------------------------------------------------------------------------------------------------------

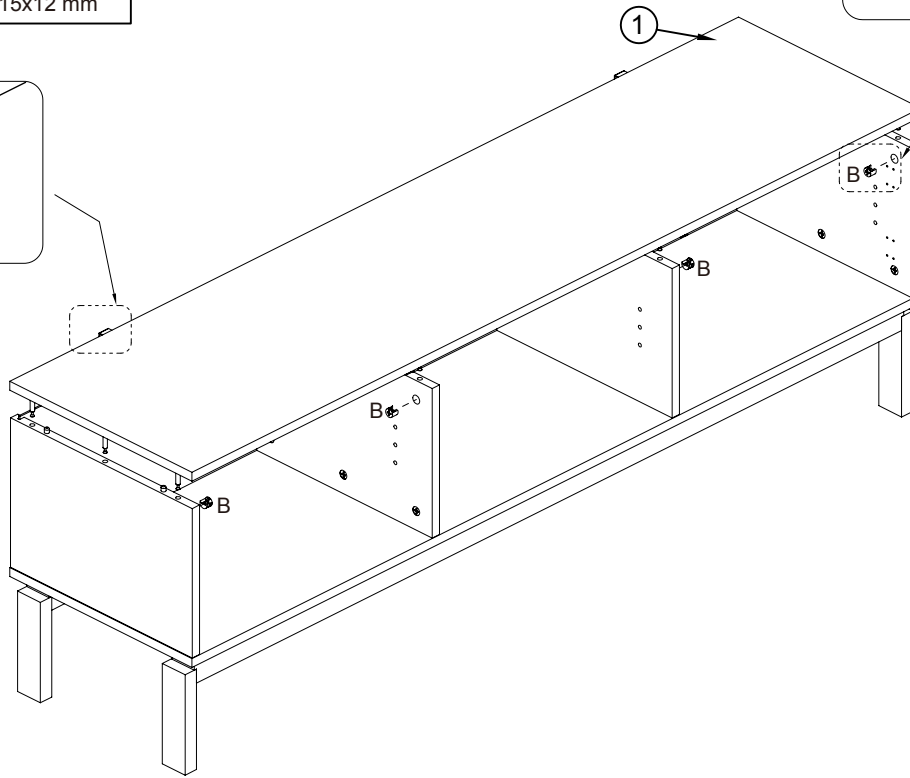
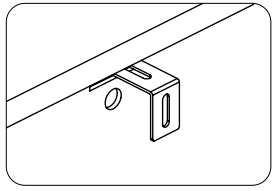
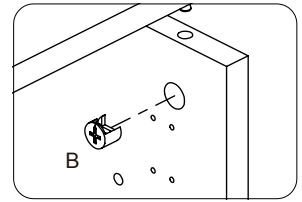
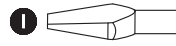
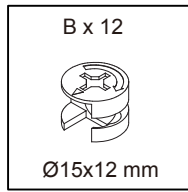


18

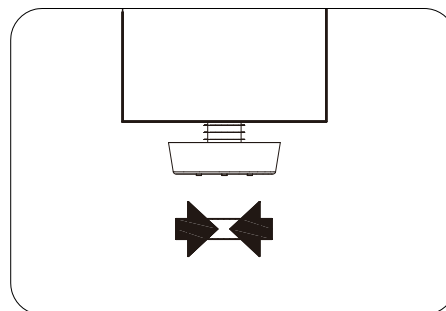
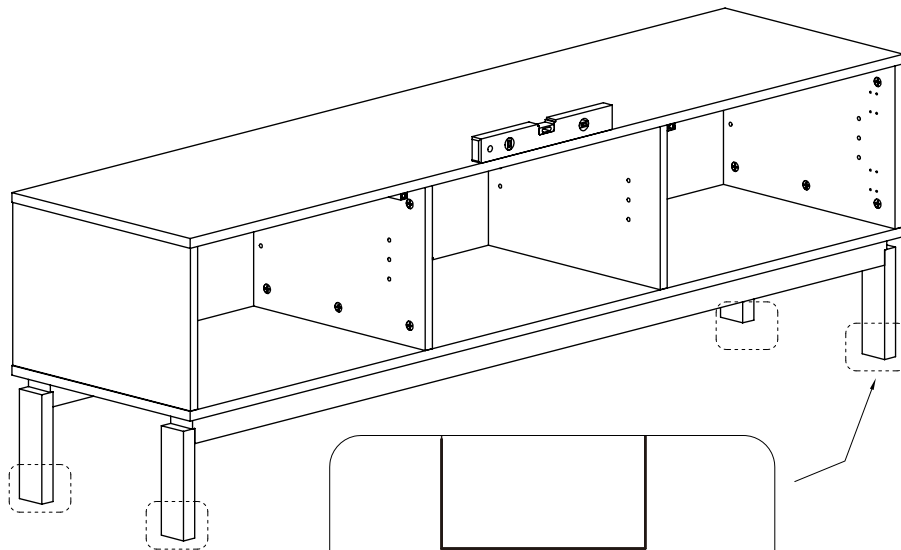
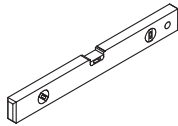
N x 2  85x13x16 mm	T x 6  Ø3x12 mm	W x 2  79x13x13 mm
-------------------------------------------------------------------------------------------------------------	----------------------------------------------------------------------------------------------------------	-------------------------------------------------------------------------------------------------------------



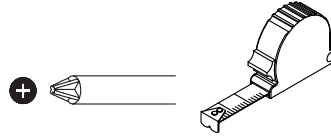
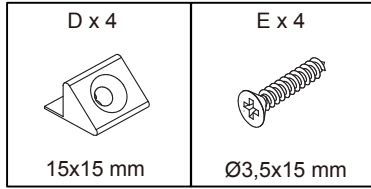
19



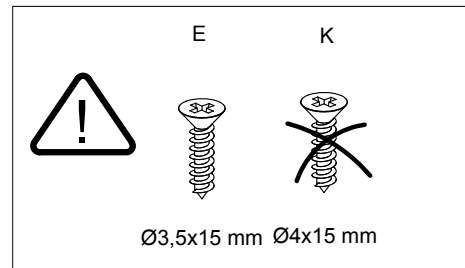
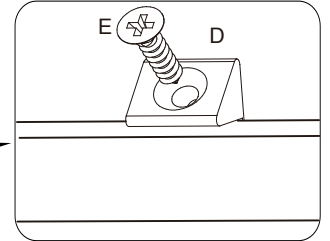
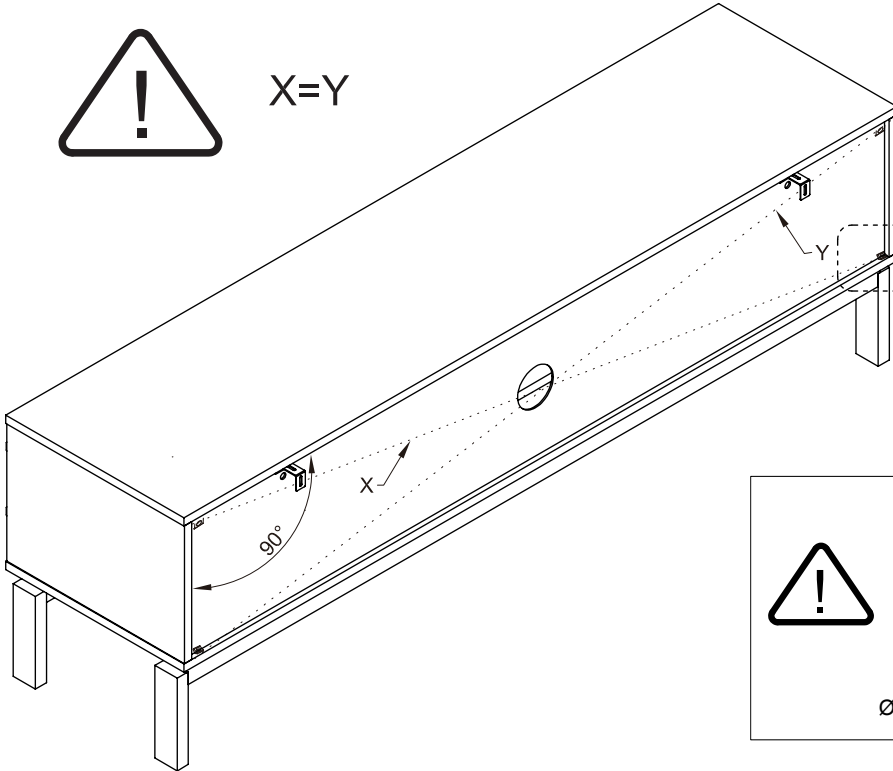
20



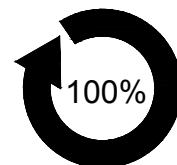
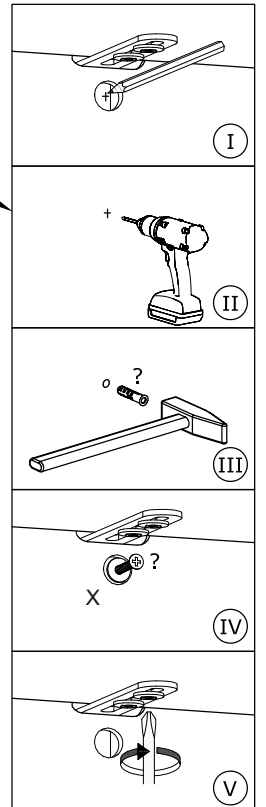
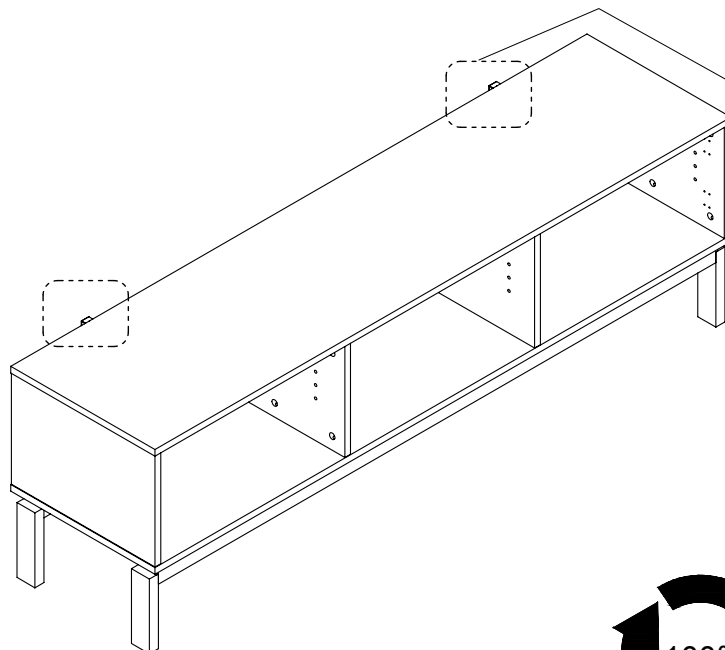
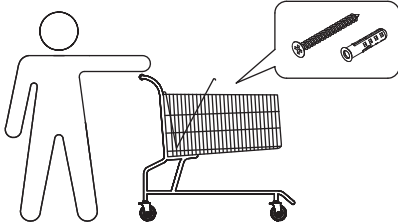
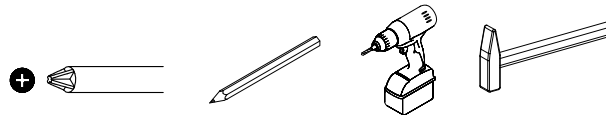
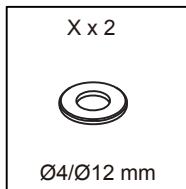
21



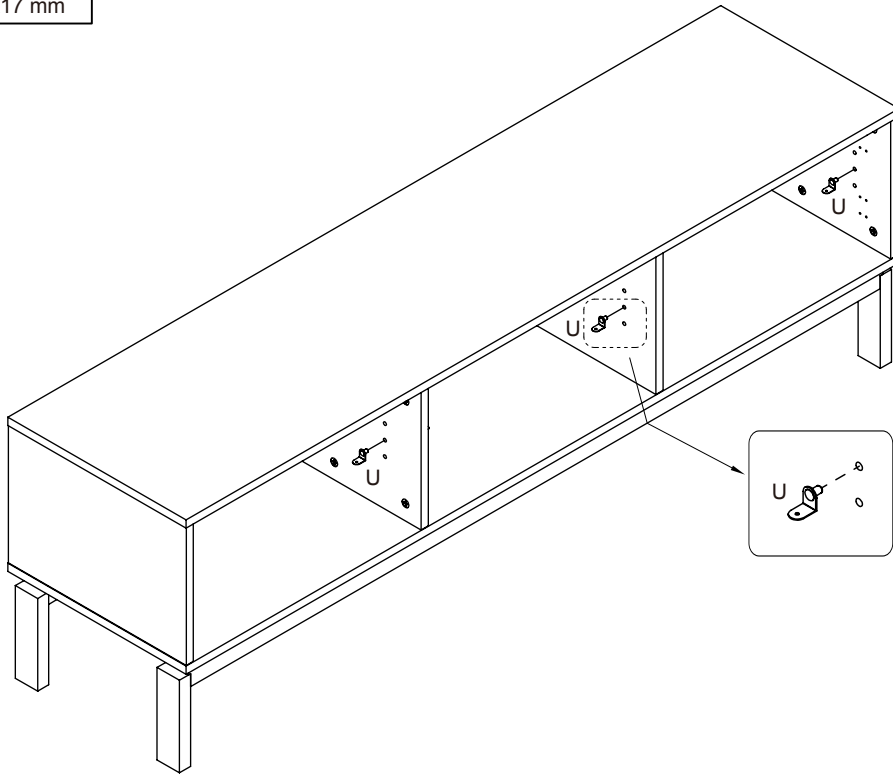
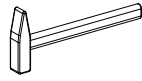
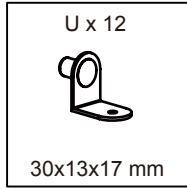
X=Y



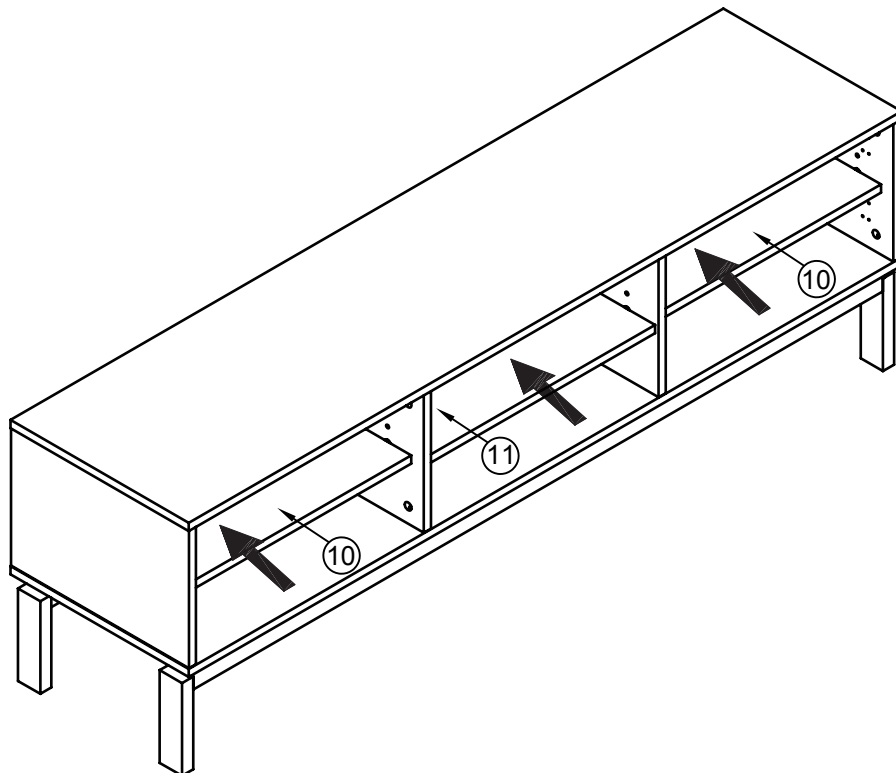
22



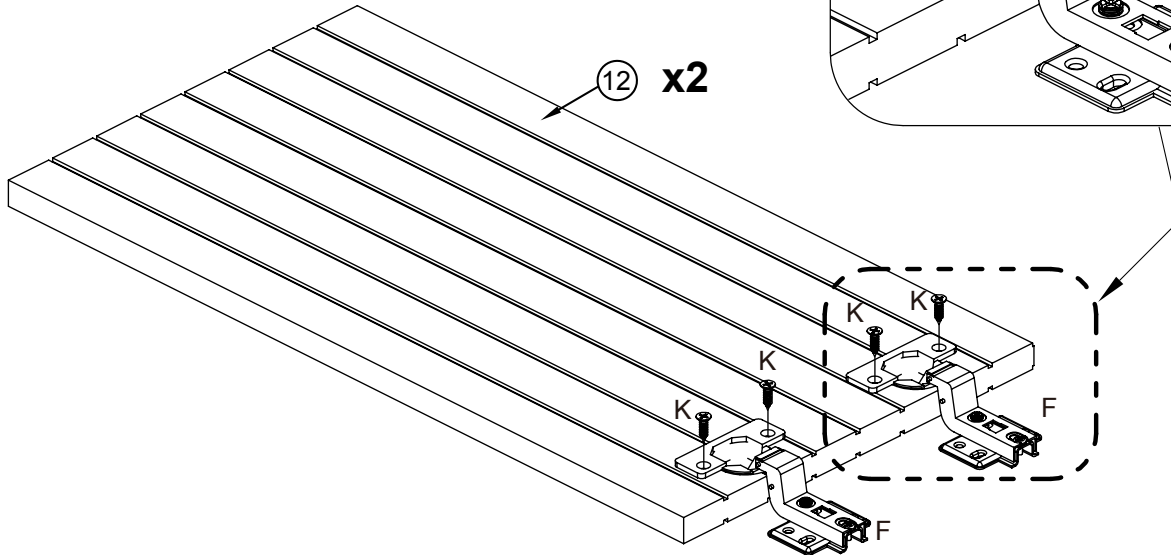
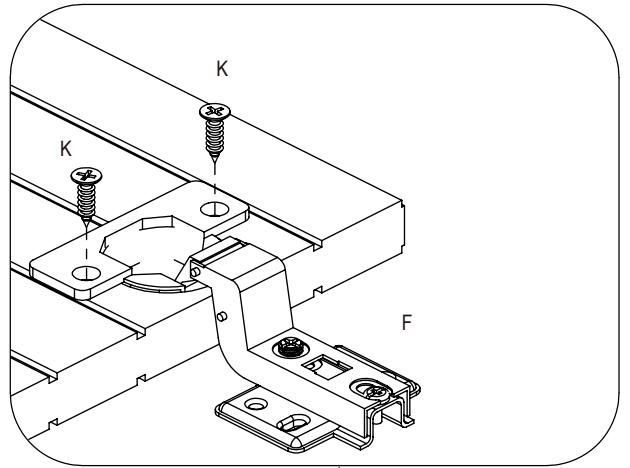
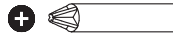
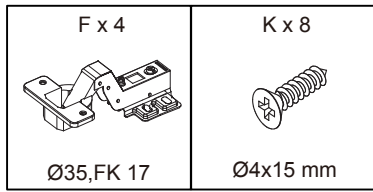
23



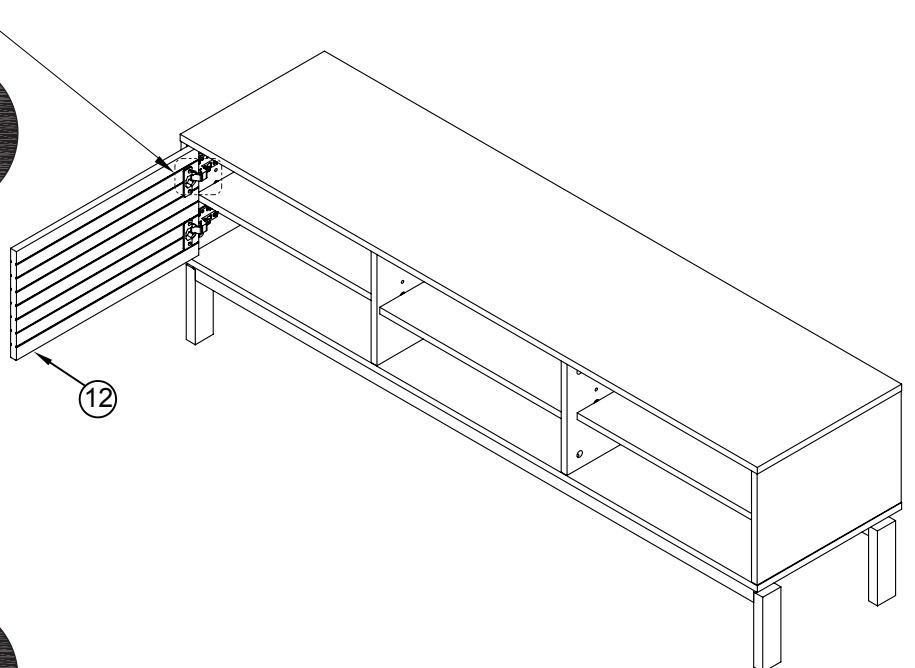
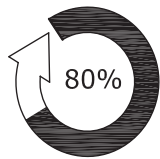
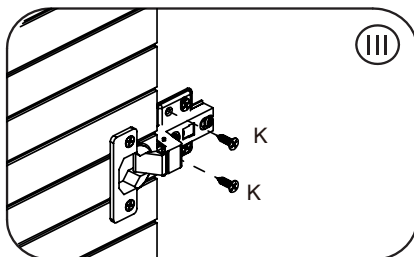
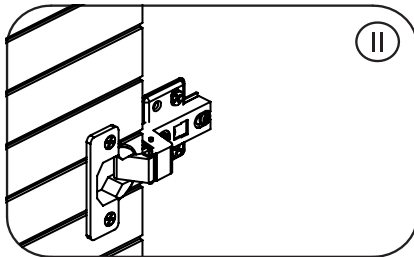
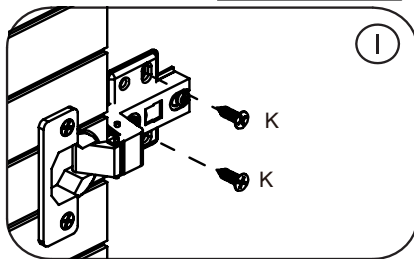
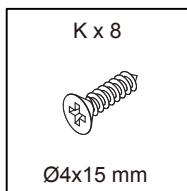
24



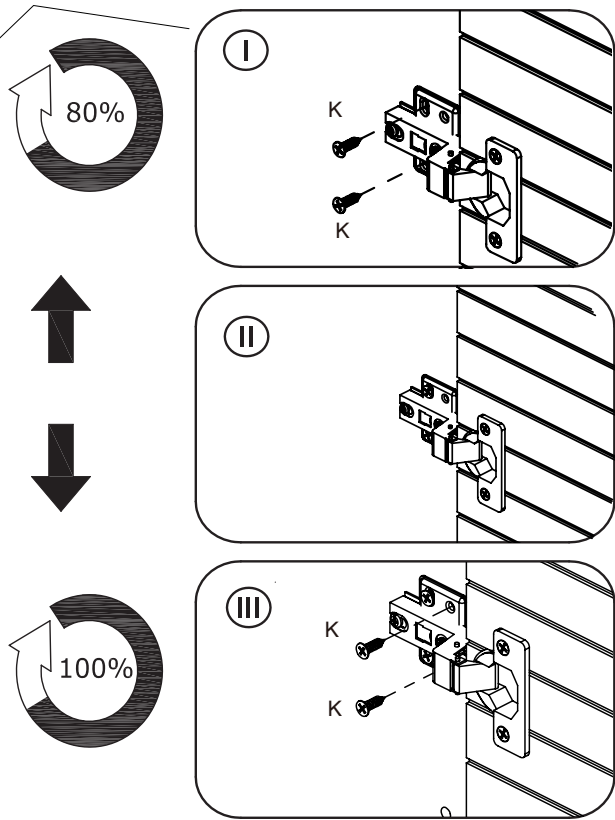
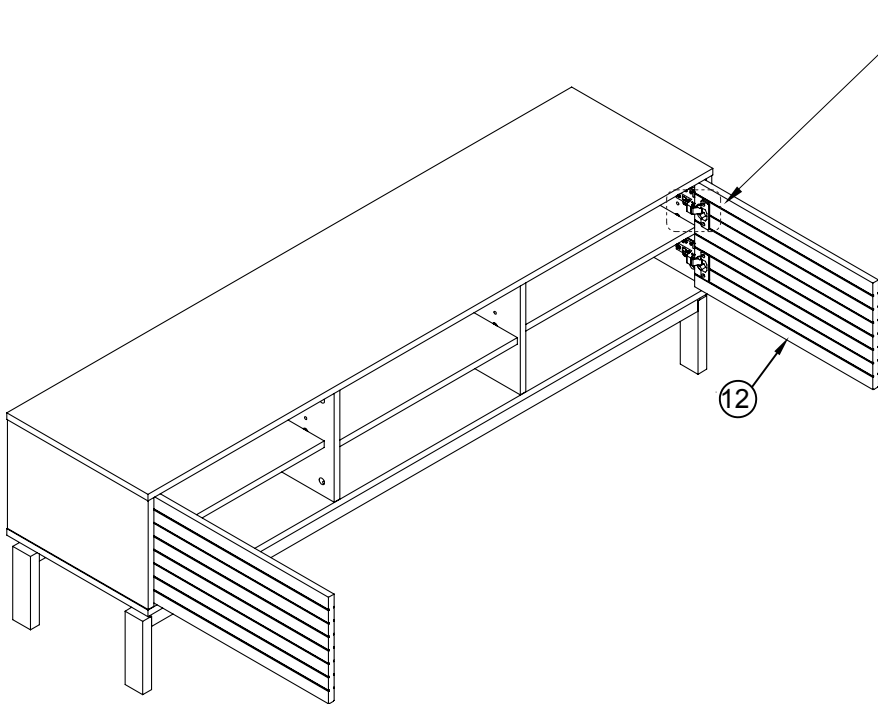
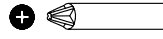
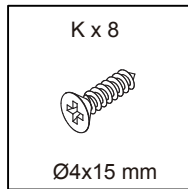
25



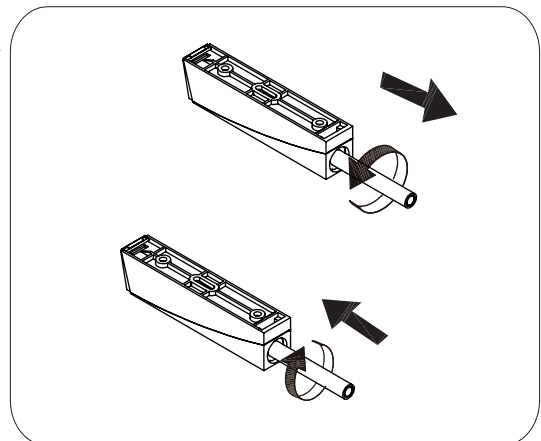
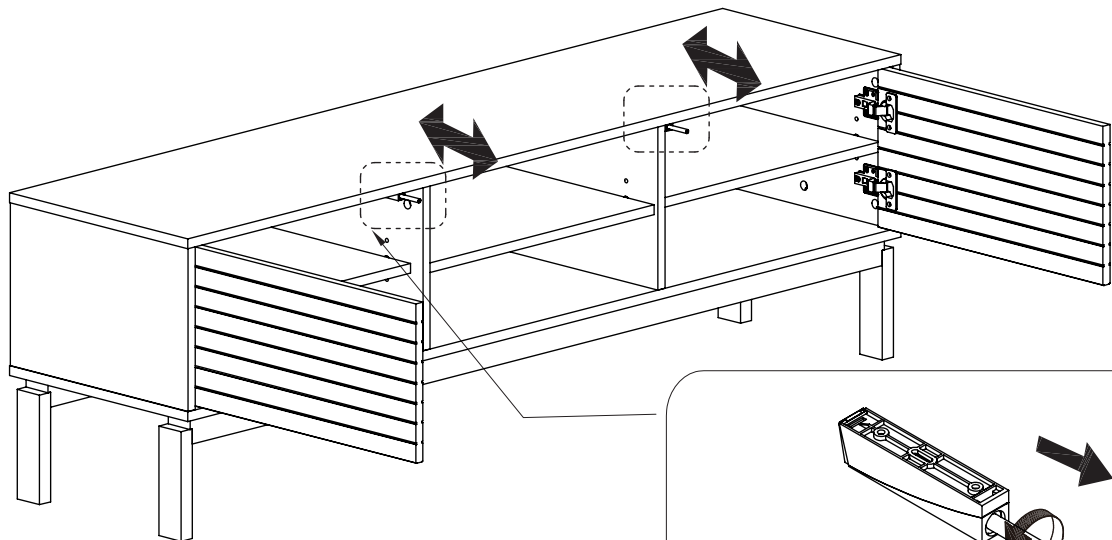
26



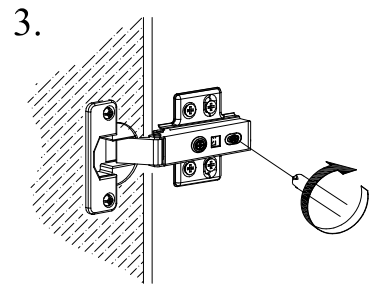
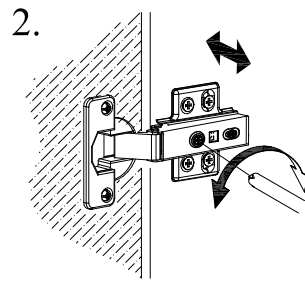
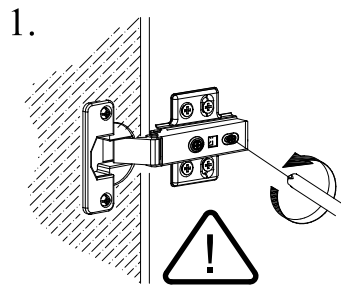
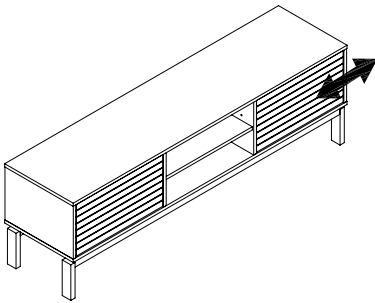
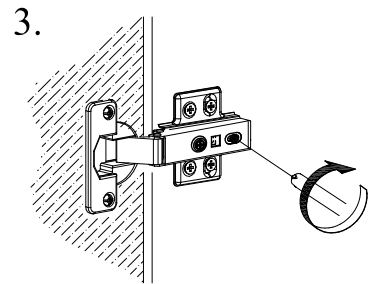
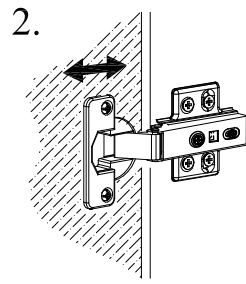
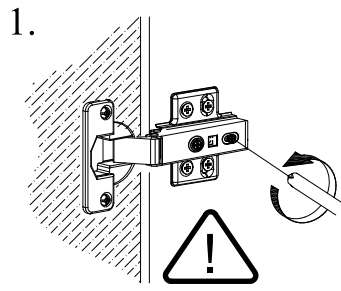
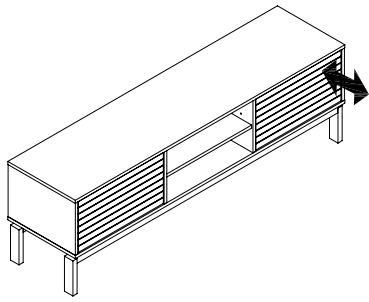
27



28



29



30

