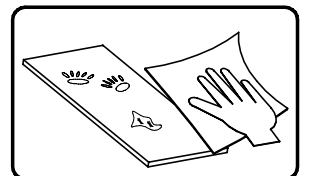
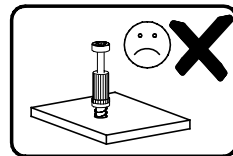
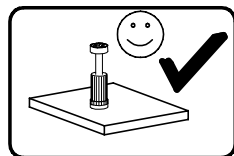
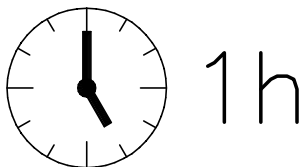
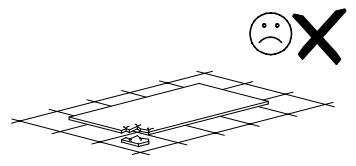
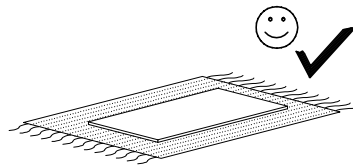
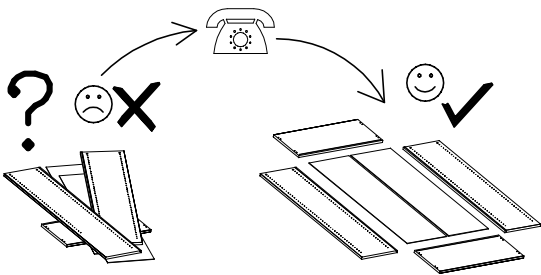
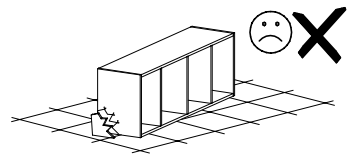
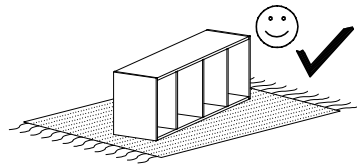
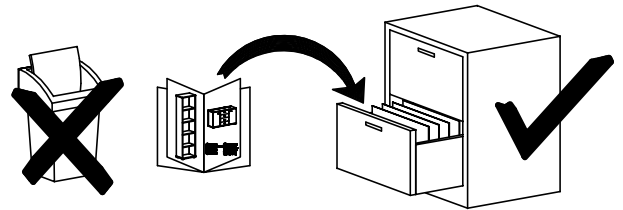
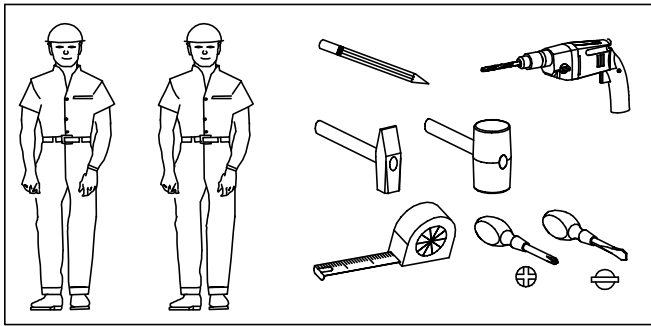
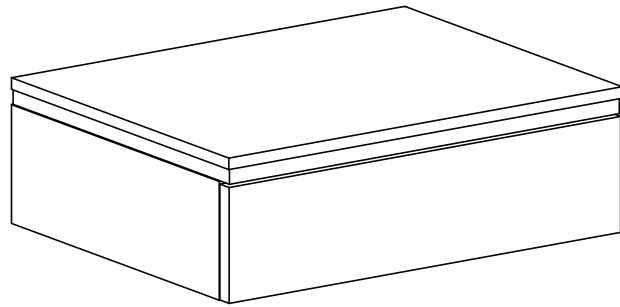
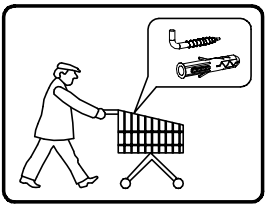
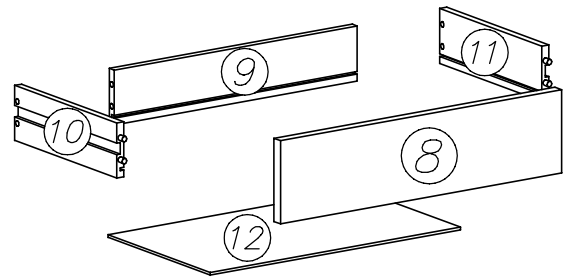
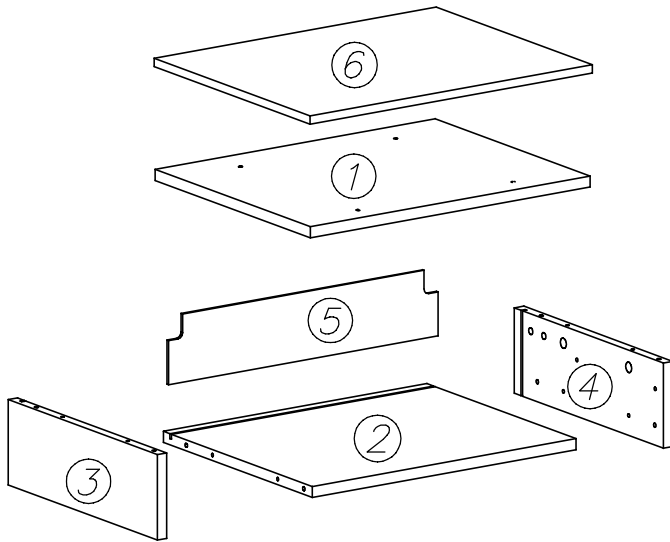
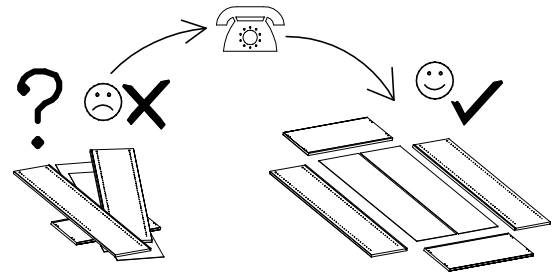
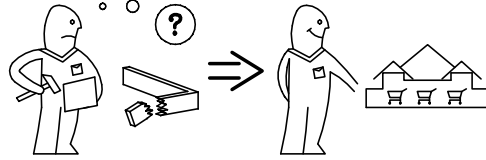
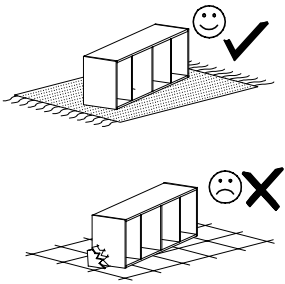
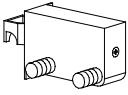
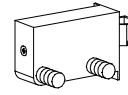


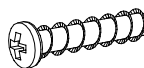

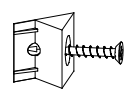

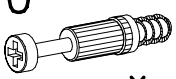

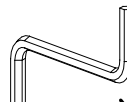




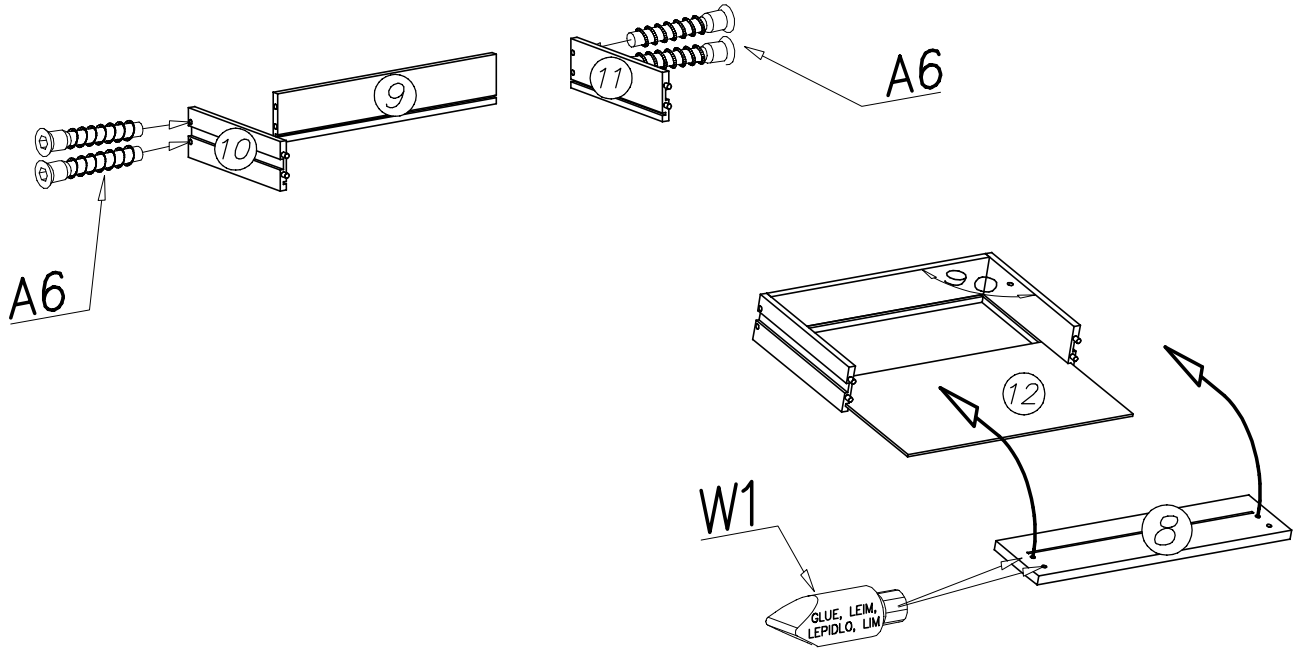
AURORA SN



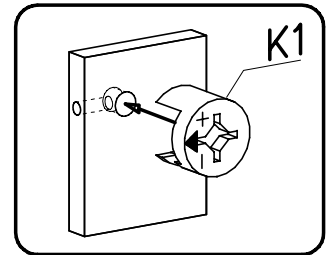
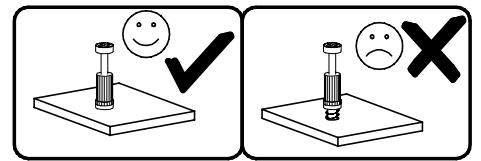
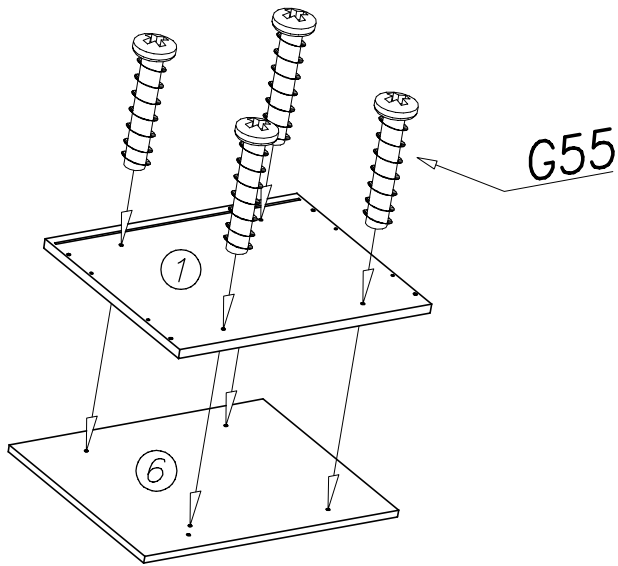


U9L  x...(1)	U9R  x...(1)	H2  246mm x...(2)		
K1  ø15x12 x...(8)	G55  6x22 x...(4)	N1  M4x9 x...(2)	I1  x...(2)	W1  GLUE, LEIM, LEPIDLO, LIM x...(1)
K10  x...(8)	G50  6x13 x...(4)	W2  x...(1)	A6  ø7x40 x...(4)	B2  ø6x35 x...(8)

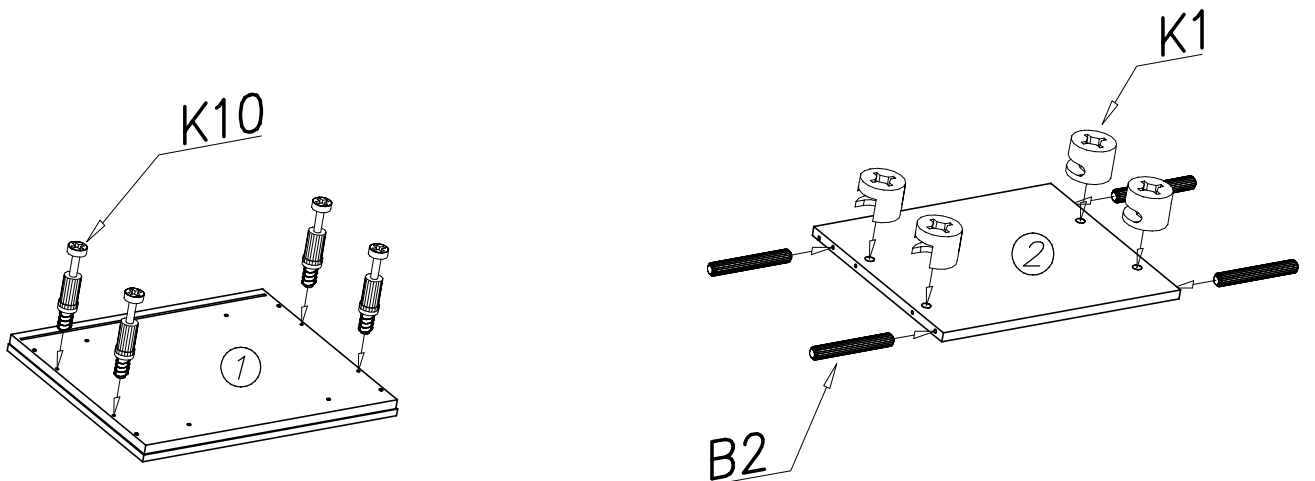
I



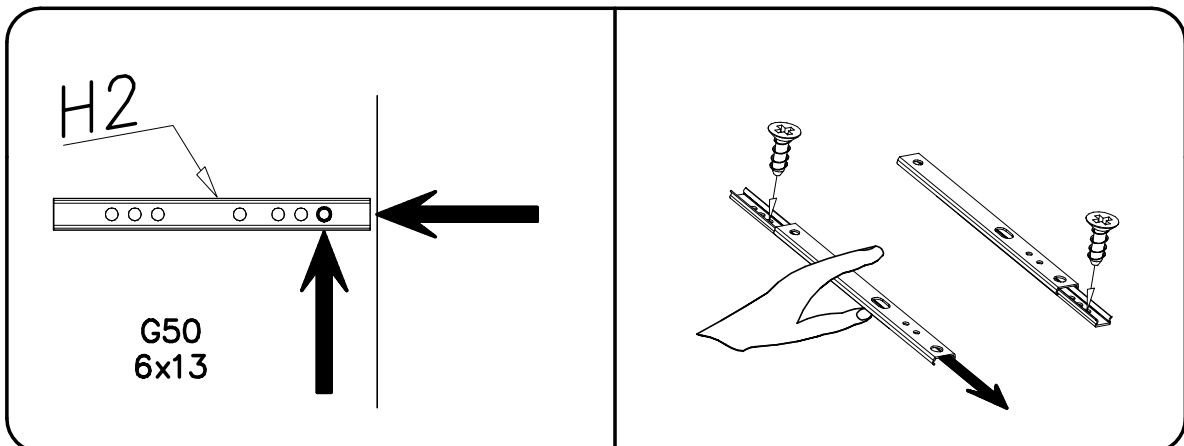
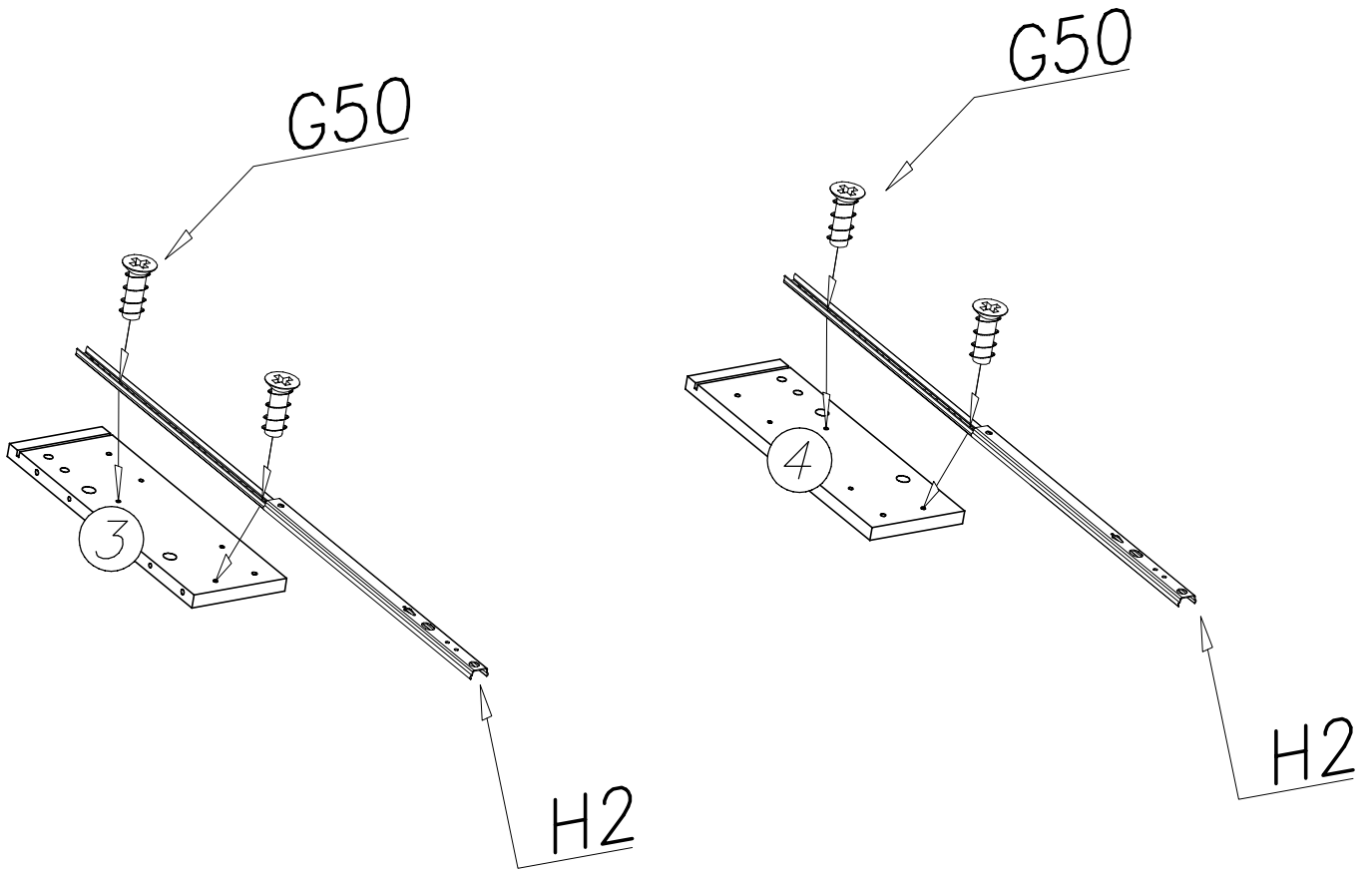
II



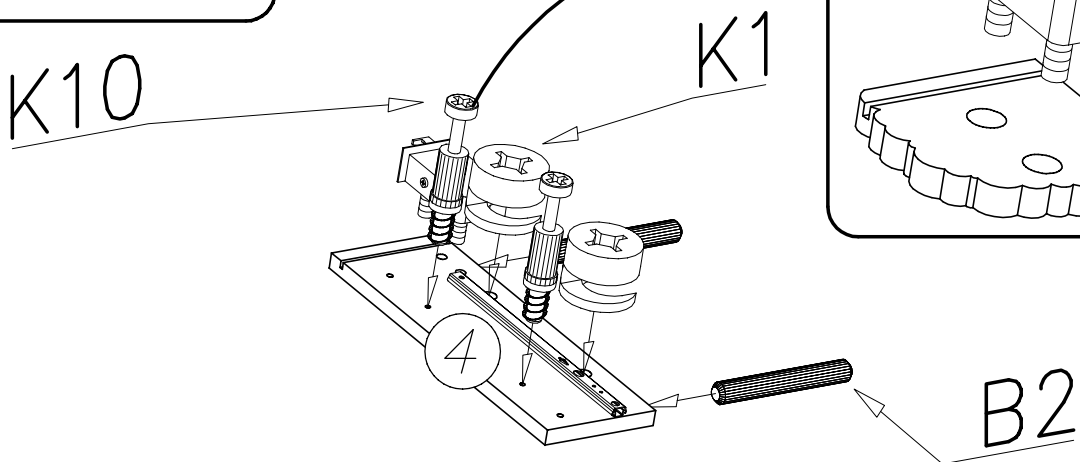
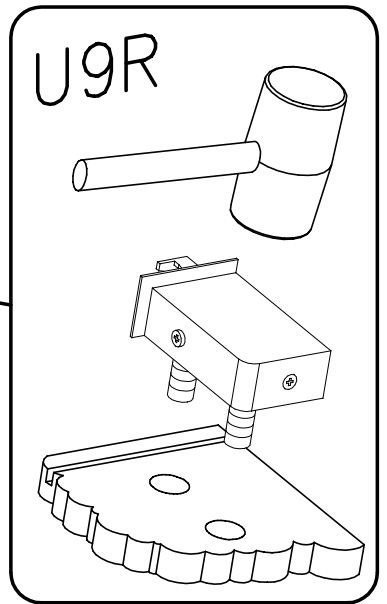
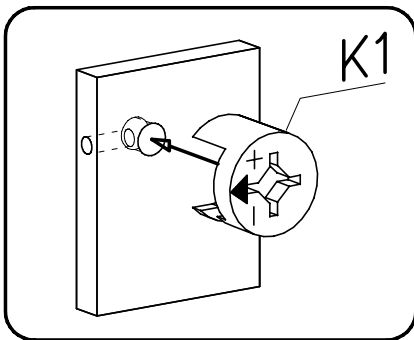
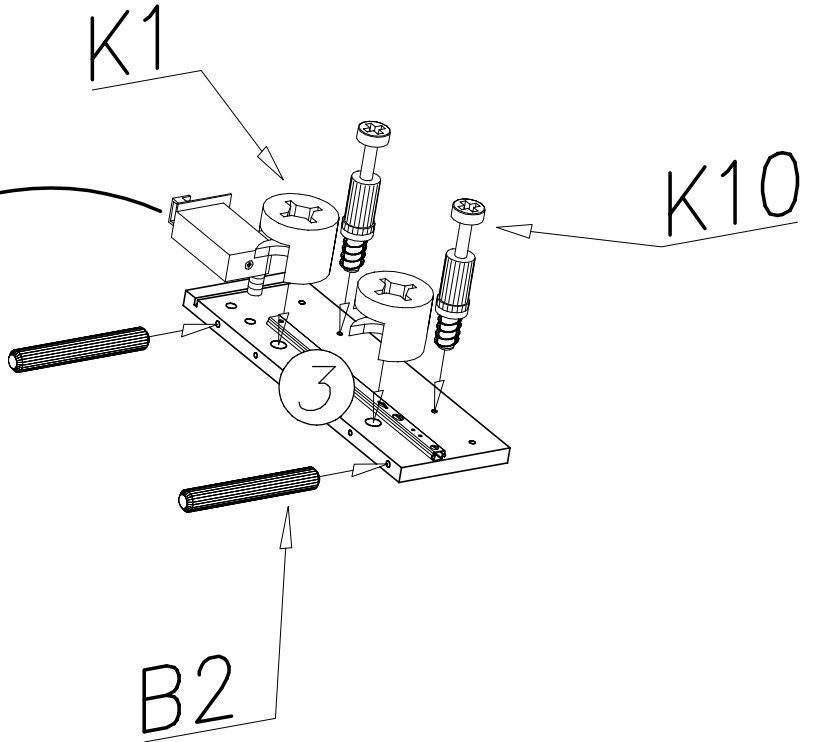
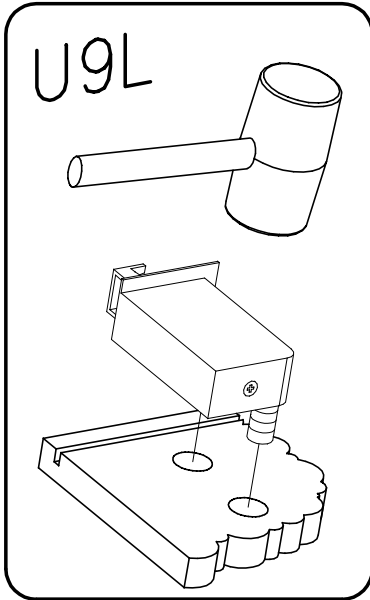
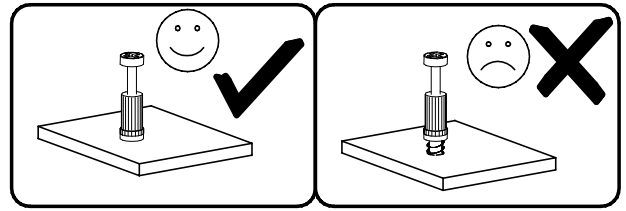
II



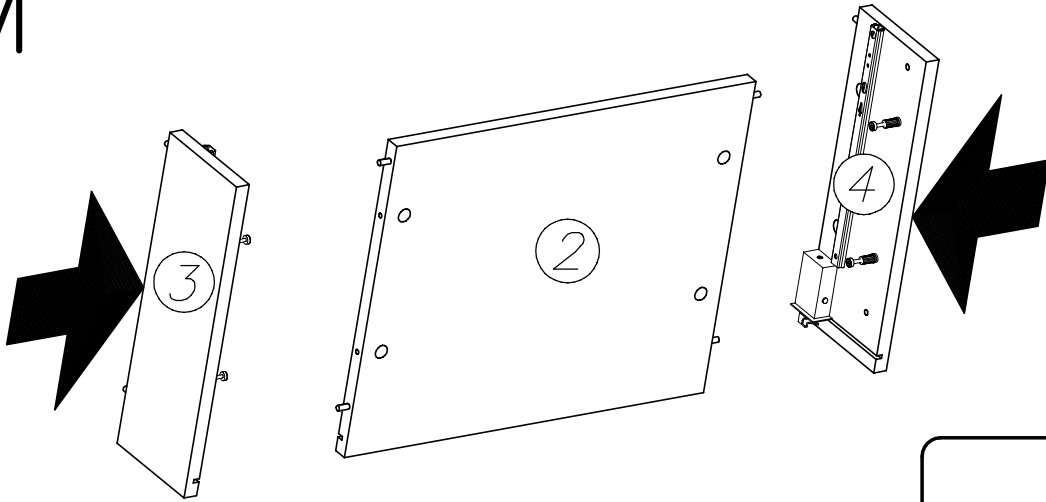
IV



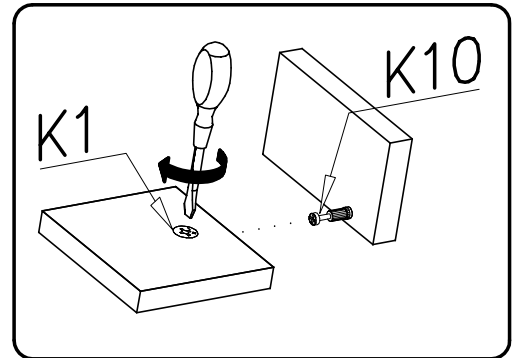
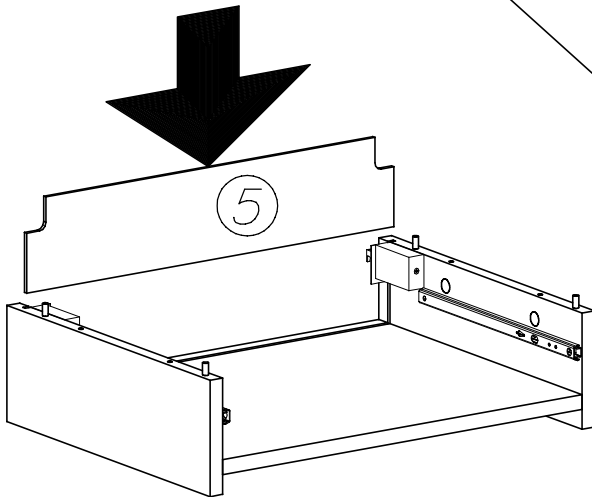
V



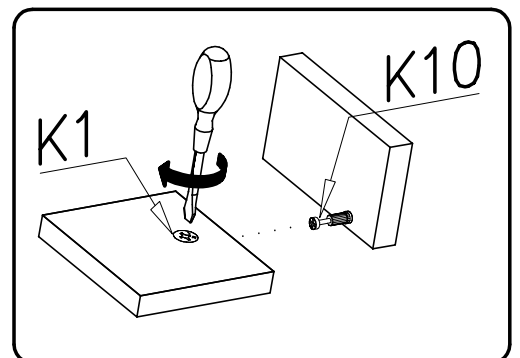
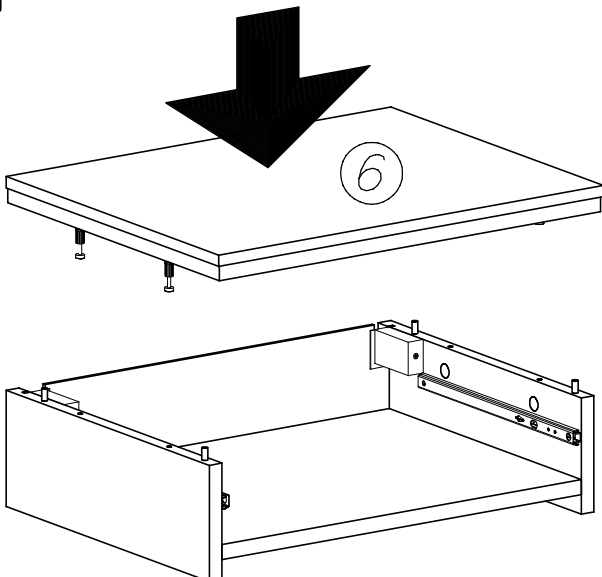
VI



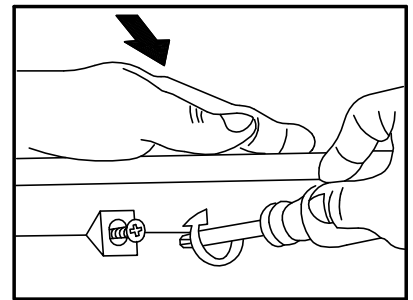
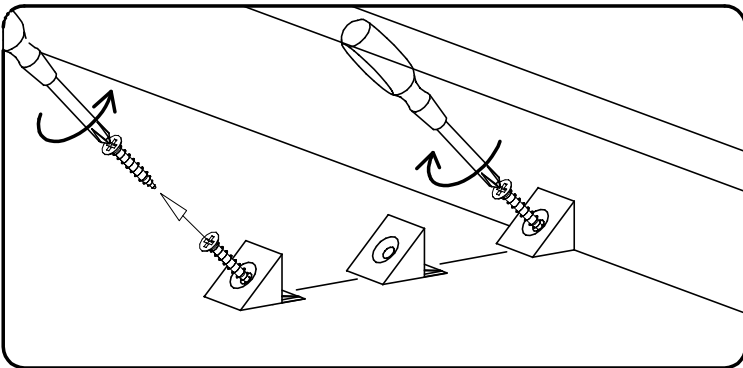
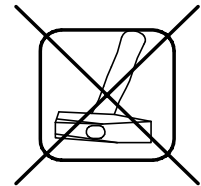
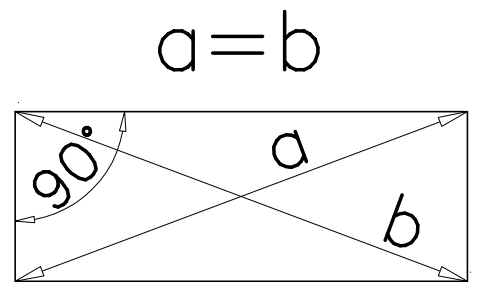
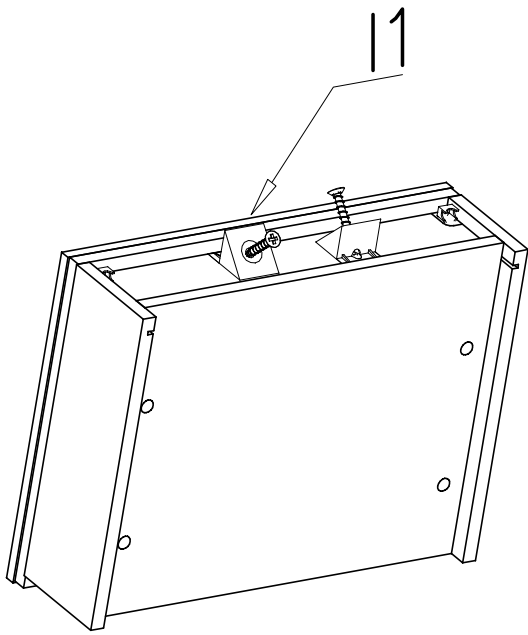
VII



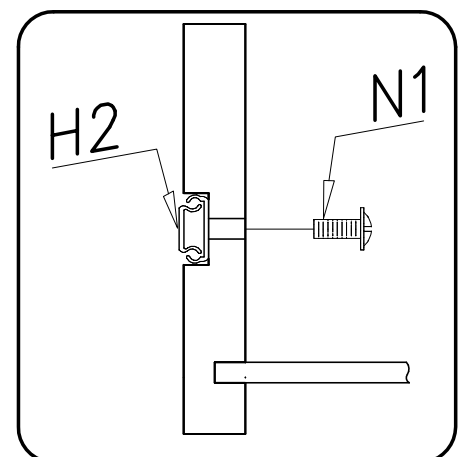
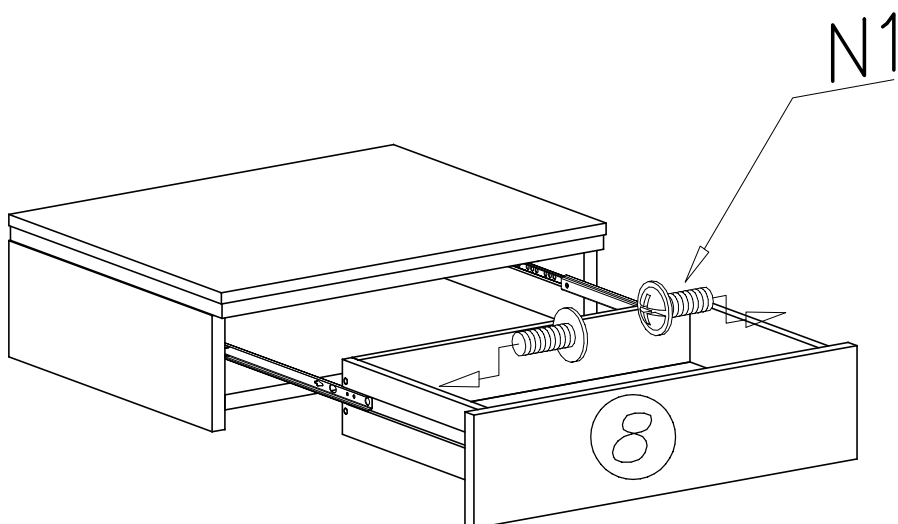
VIII



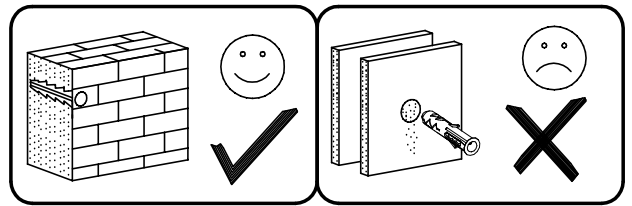
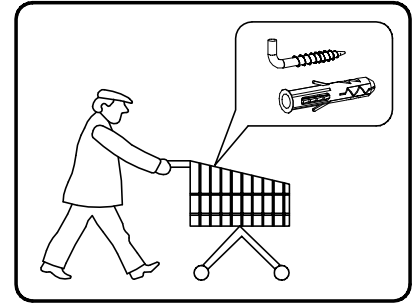
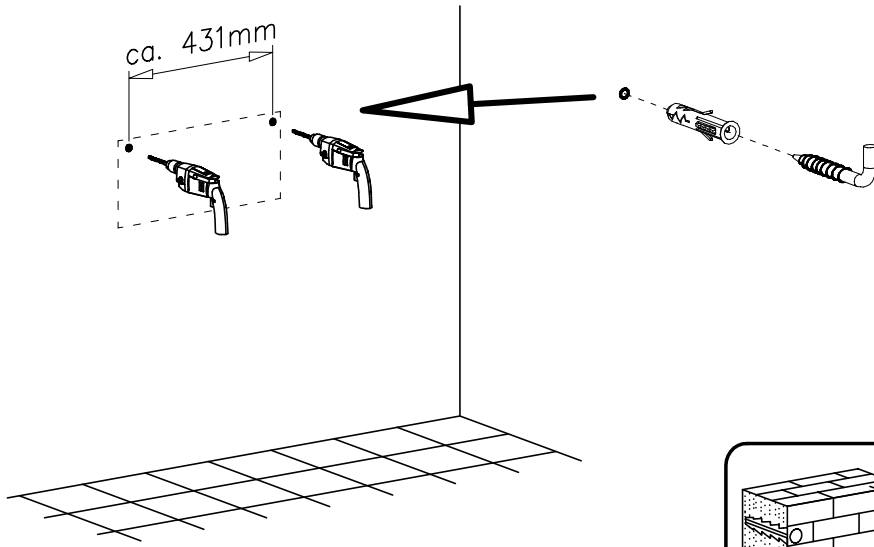
IX



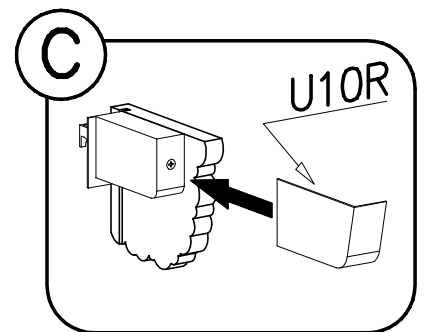
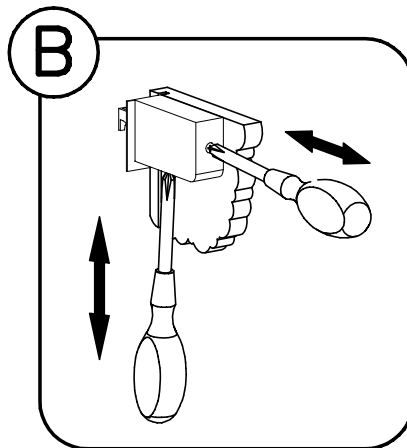
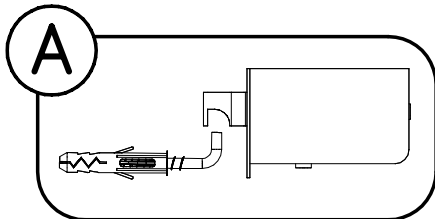
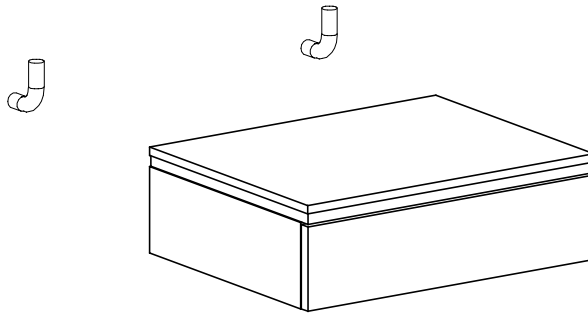
X

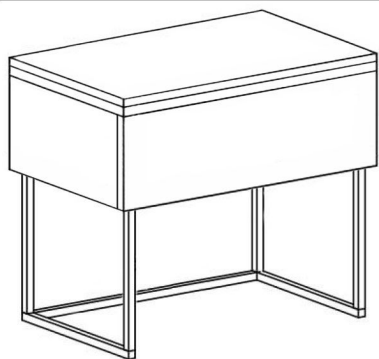


XI



XII





1

A



x1

B



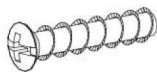
x1

C



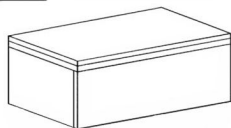
x4

D



x8

E

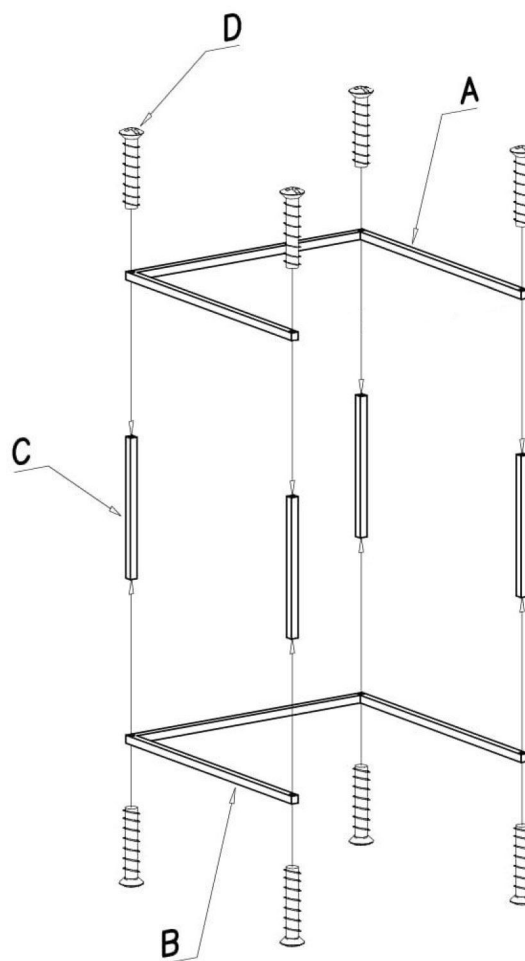
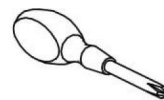


x1

F



x4



2

